



US00D875140S

(12) **United States Design Patent**
Chan

(10) **Patent No.:** **US D875,140 S**

(45) **Date of Patent:** **** Feb. 11, 2020**

(54) **VALVE COVER SET**

(71) Applicant: **Shihwen Chan**, Santa Fe Springs, CA
(US)

(72) Inventor: **Shihwen Chan**, Santa Fe Springs, CA
(US)

(**) Term: **15 Years**

(21) Appl. No.: **29/624,414**

(22) Filed: **Oct. 31, 2017**

(51) **LOC (12) Cl.** **15-01**

(52) **U.S. Cl.**
USPC **D15/5**

(58) **Field of Classification Search**
USPC D13/156, 184, 199; D15/1-6, 14, 17,
D15/149, 199
CPC F02F 7/006; F02B 77/00; B29C 70/76;
B29C 2045/14459; B29C 45/14336;
B29L 2031/26
See application file for complete search history.

(56) **References Cited**

U.S. PATENT DOCUMENTS

D252,878 S *	9/1979	Bellino	D15/5
D305,767 S *	1/1990	Tauschke	D15/5
D422,551 S *	4/2000	Haines	D12/400
D503,724 S *	4/2005	Grant	D15/5
D565,299 S *	4/2008	Schneider	D3/276
D580,954 S *	11/2008	Platt	D15/5
D657,798 S *	4/2012	Platt	D15/5
D673,654 S *	1/2013	Santourian	D23/249
D709,099 S *	7/2014	Finnie	D15/5
D727,362 S *	4/2015	Platt	D15/5
D735,759 S *	8/2015	Chan	D15/5
D769,942 S *	10/2016	Choi	D15/5
D770,536 S *	11/2016	Porojan	D15/5
D788,824 S *	6/2017	Choi	D15/5
D810,143 S *	2/2018	Tomlinson	D15/5

D812,103 S *	3/2018	Tomlinson	D15/5
D812,104 S *	3/2018	Tomlinson	D15/5
D812,644 S *	3/2018	Tomlinson	D15/5
D813,910 S *	3/2018	Tomlinson	D15/5
D818,503 S *	5/2018	Tomlinson	D15/5
D823,897 S *	7/2018	Tomlinson	D15/5

* cited by examiner

Primary Examiner — Michael C Stout

Assistant Examiner — Fritzgerald L Butac

(74) *Attorney, Agent, or Firm* — Anatoly S. Wesiser,
Esq.; IPLCounsel

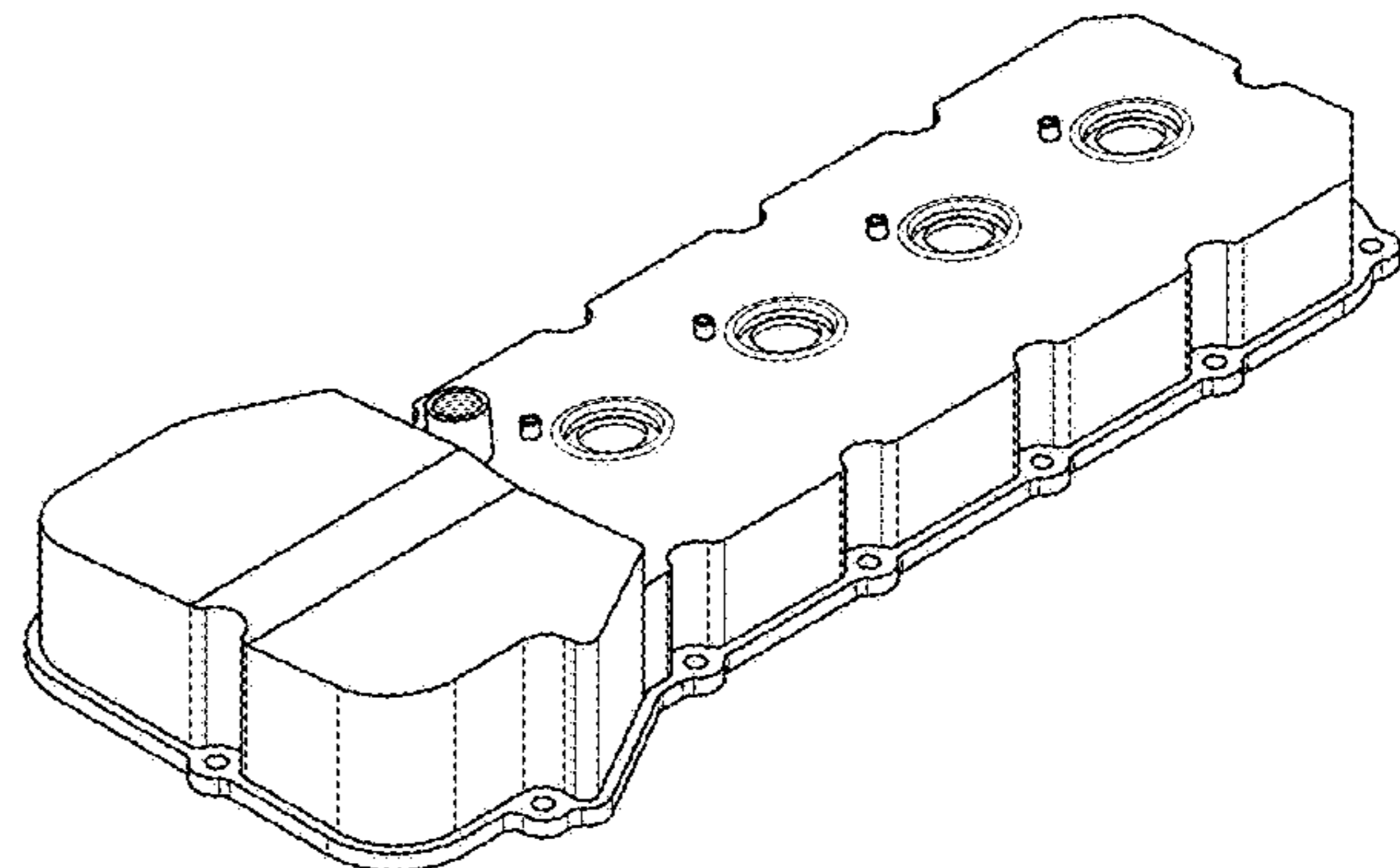
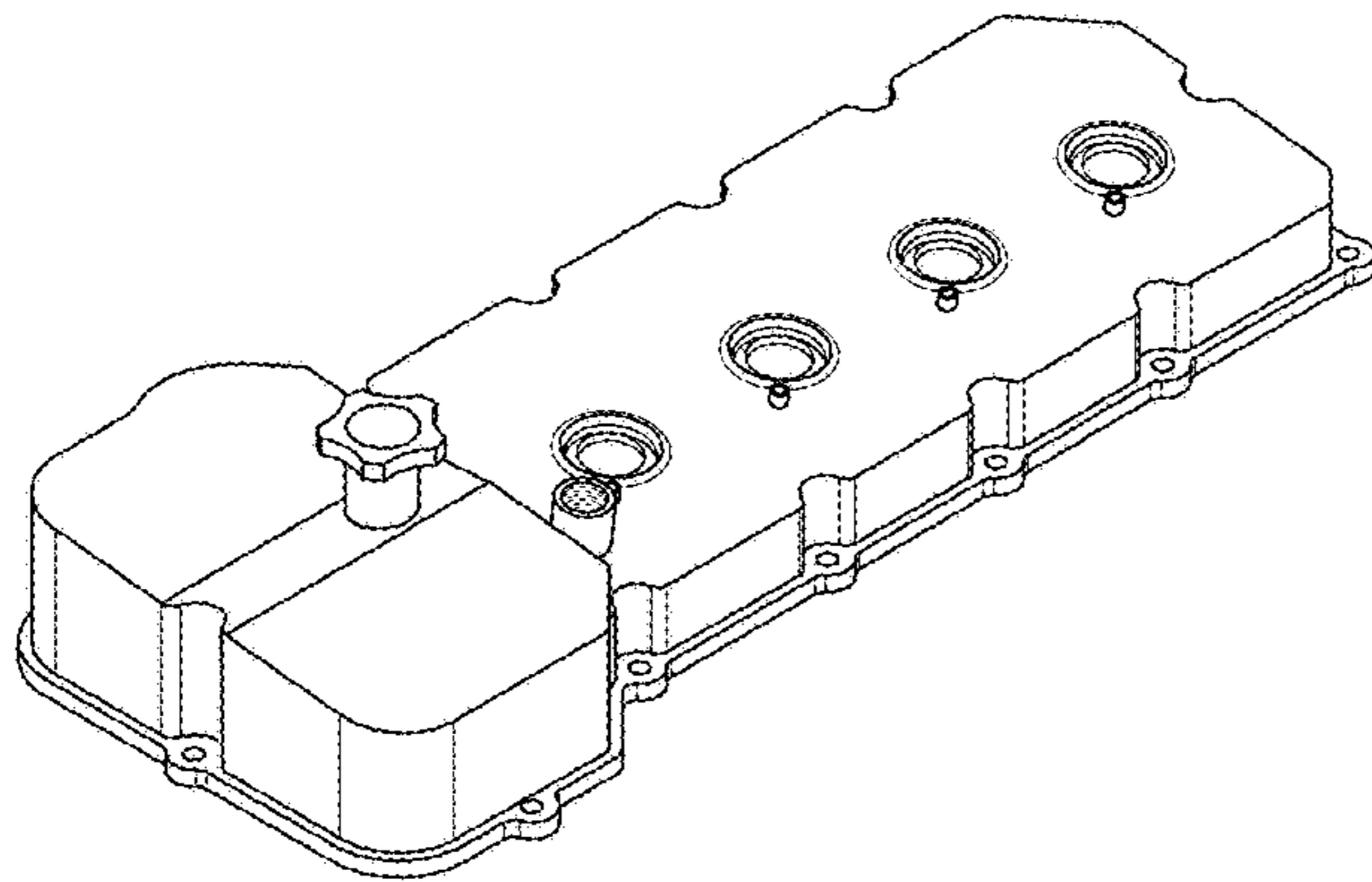
(57) **CLAIM**

The ornamental design for a valve cover set, as shown and described.

DESCRIPTION

FIG. 1 is a perspective view of outside of a first valve cover of a set of valve covers showing my new design; FIG. 2 is a perspective view of outside of a second valve cover of the set of valve covers showing my new design; FIG. 3 is top view of the outside of the first valve cover; FIG. 4 is top view of the outside of the second valve cover; FIG. 5 is bottom view of the first valve cover; FIG. 6 is bottom view of the second valve cover; FIG. 7 is a first side view of the first valve cover; FIG. 8 is a first side view of the second valve cover; FIG. 9 is a second side view of the first valve cover; FIG. 10 is a second side view of the second valve cover; FIG. 11 is a first end view of the first valve cover; FIG. 12 is a first end view of the second valve cover; FIG. 13 is a second end view of the second valve cover; and, FIG. 14 is a second end view of the first valve cover. The set of valve covers embodying the design includes two valve covers for an engine.

1 Claim, 6 Drawing Sheets



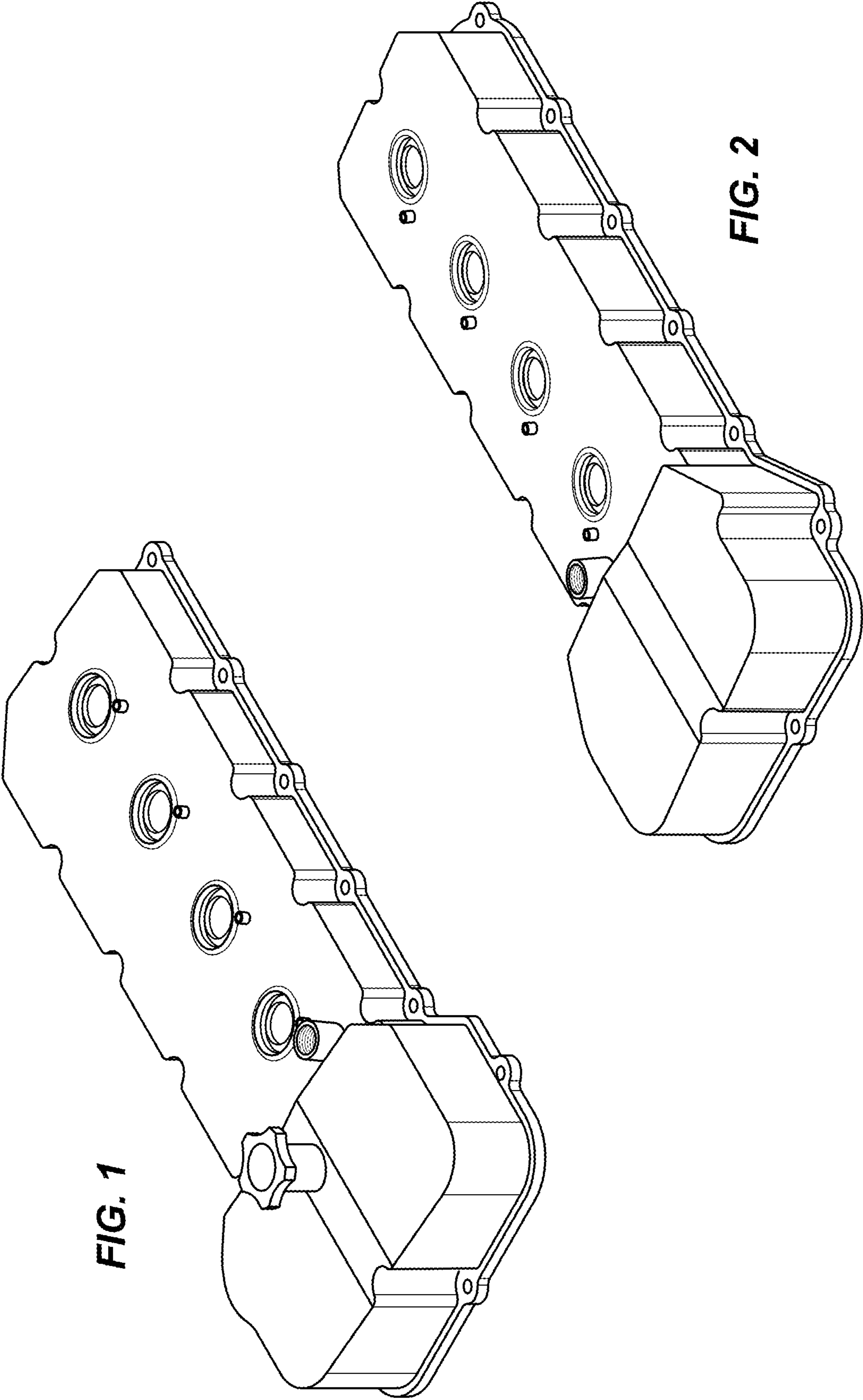


FIG. 1

FIG. 2

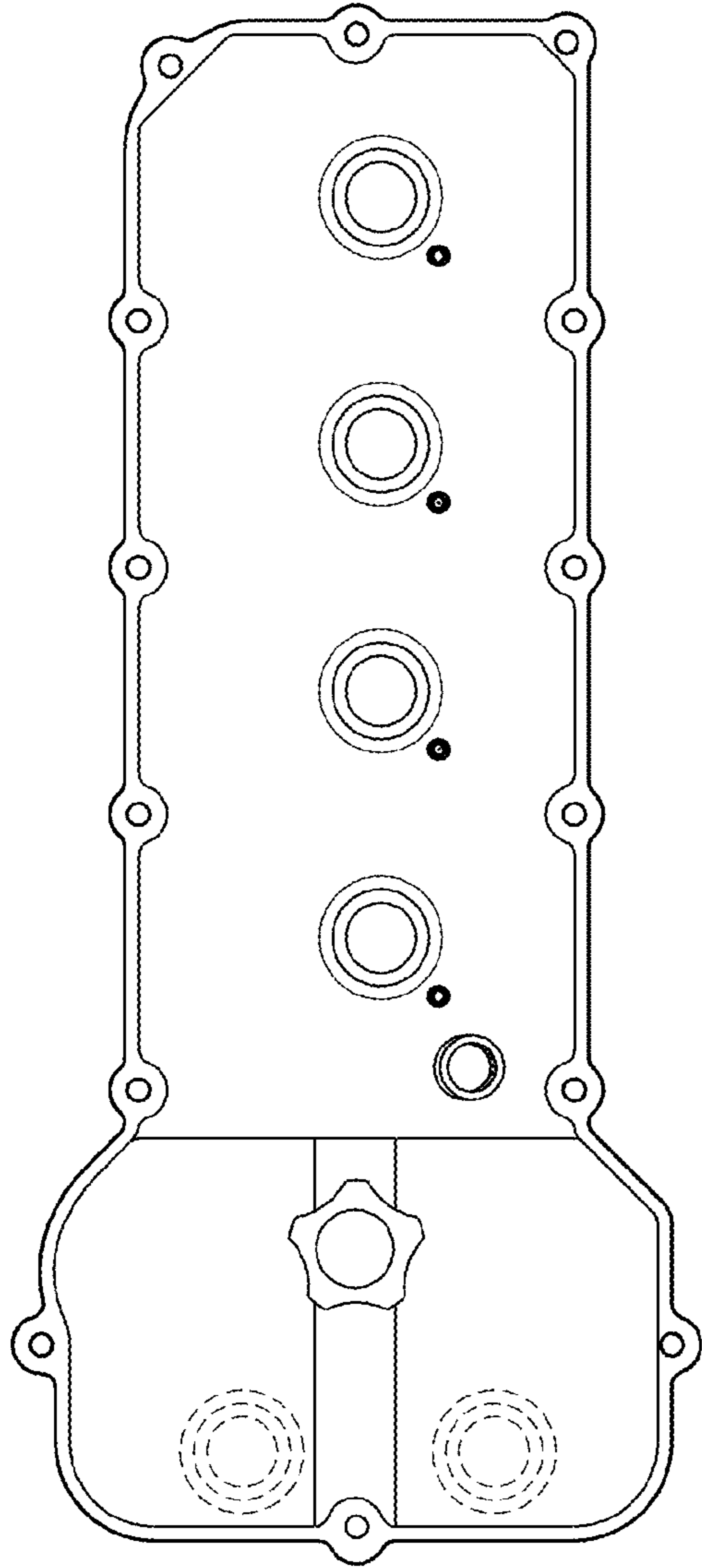


FIG. 3

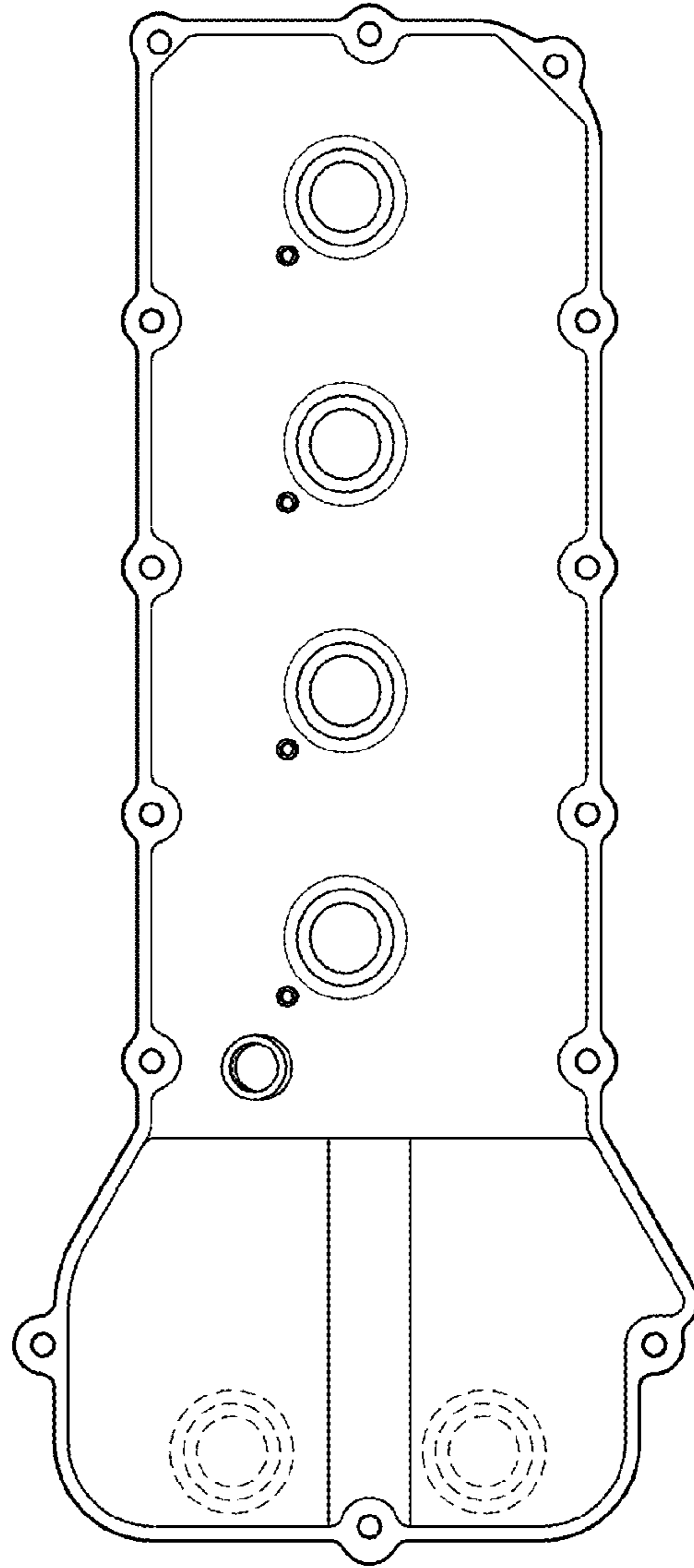


FIG. 4

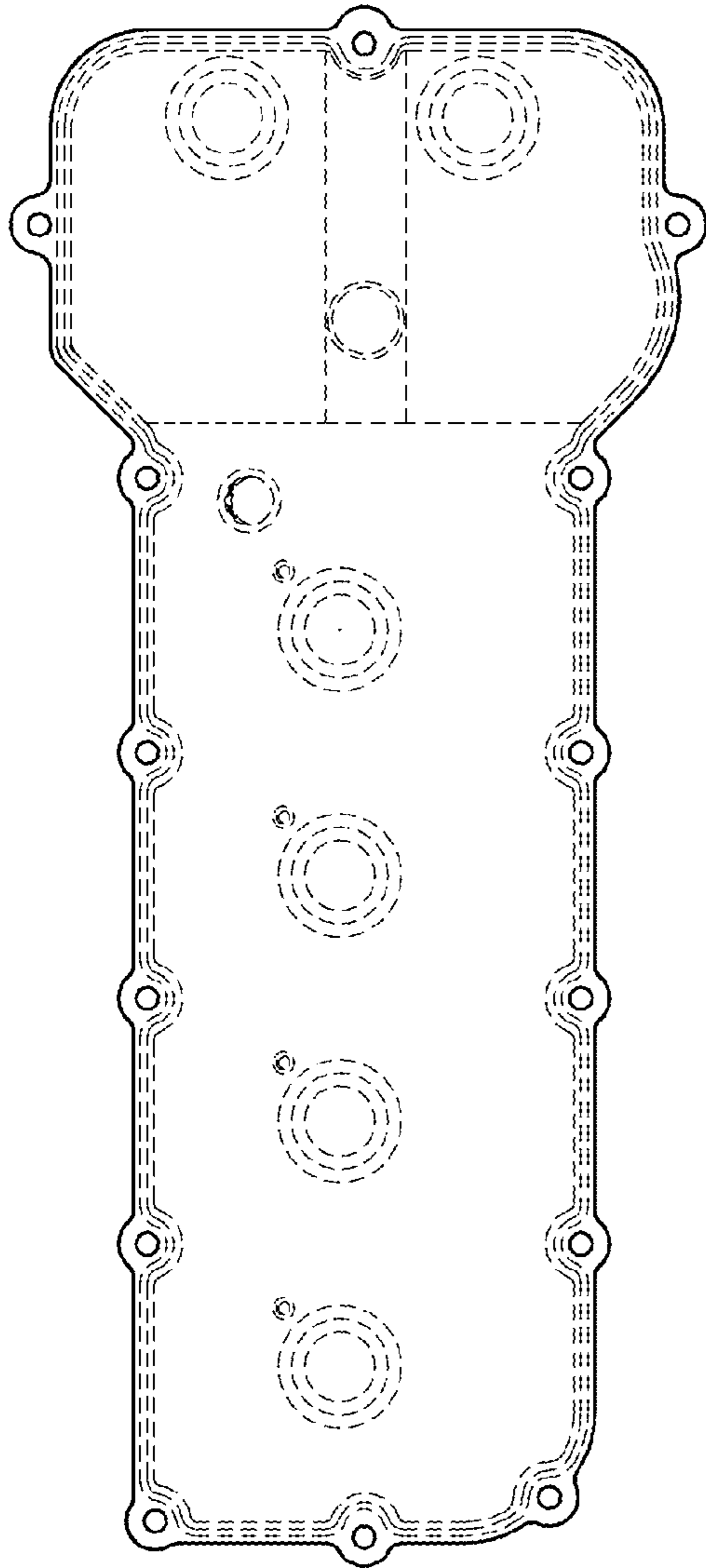


FIG. 5

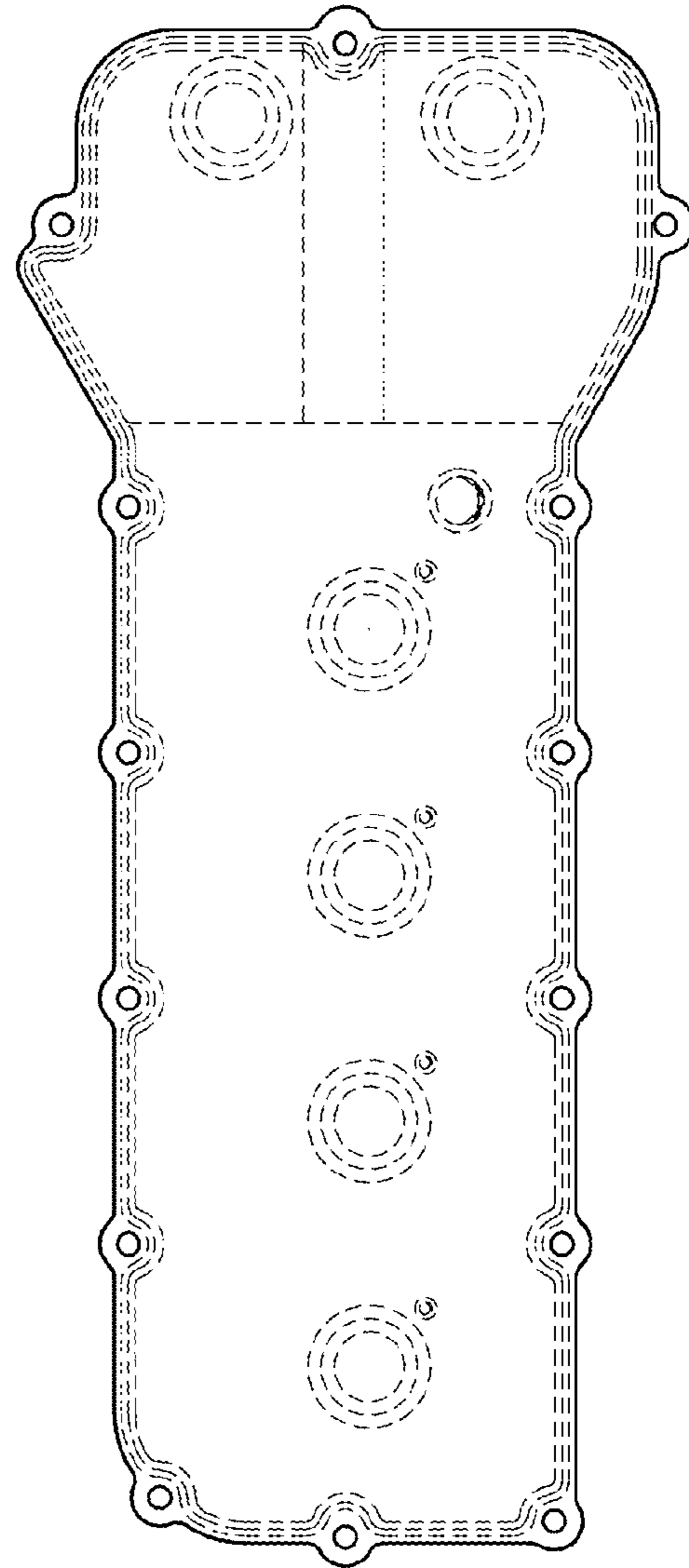


FIG. 6

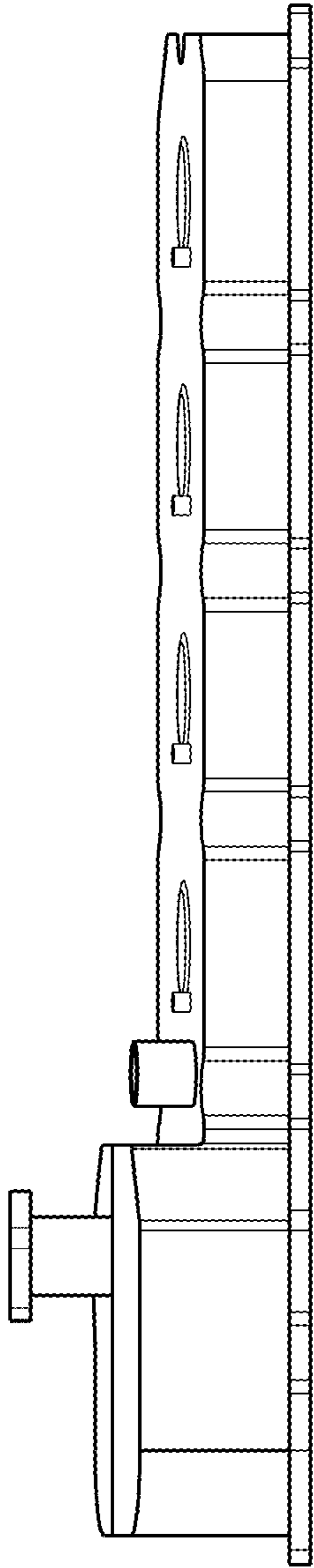


FIG. 7

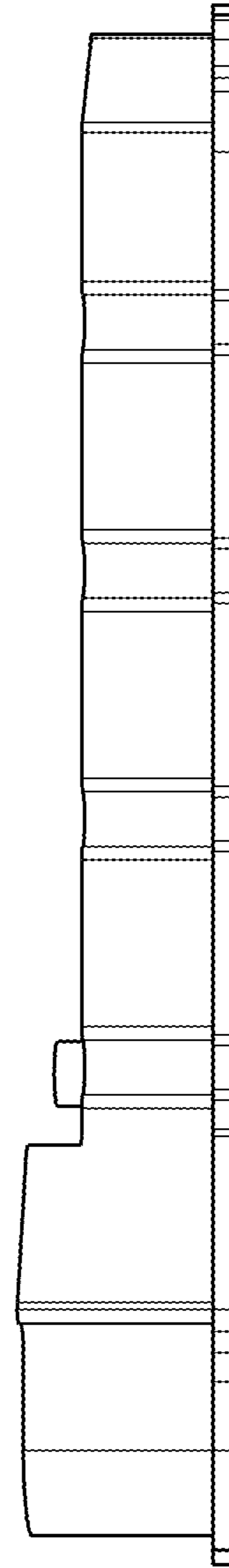


FIG. 8

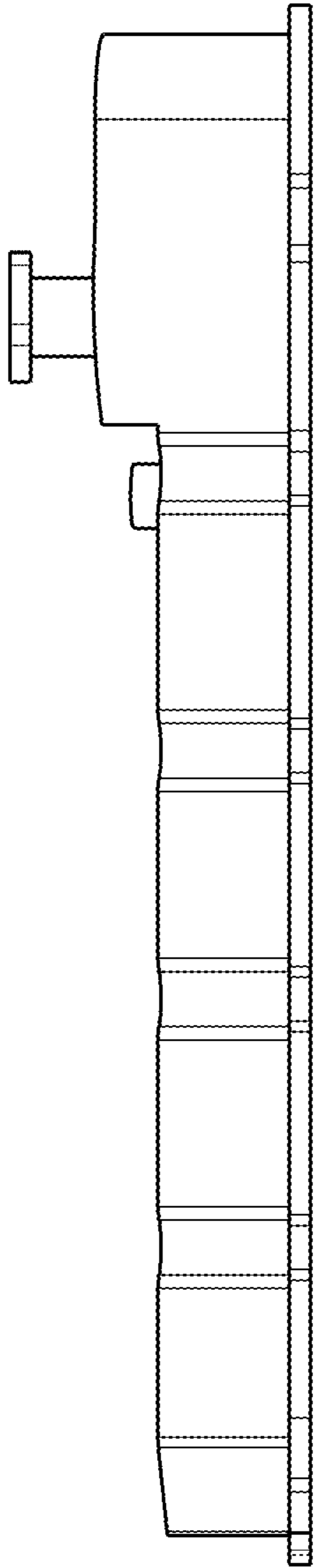


FIG. 9

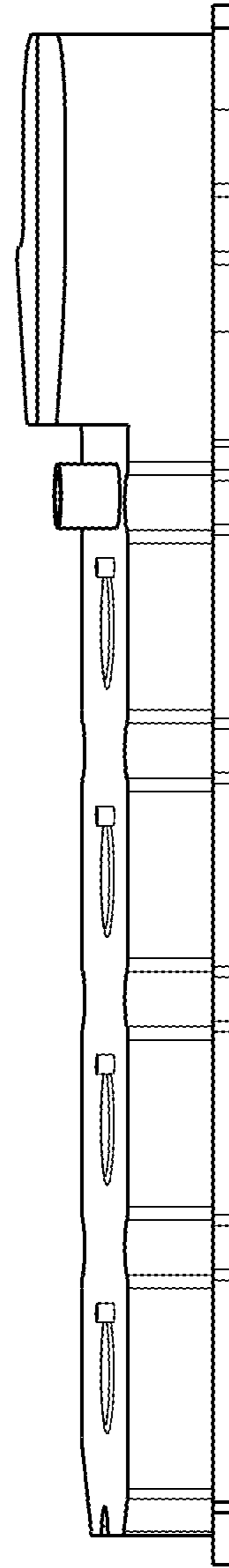


FIG. 10

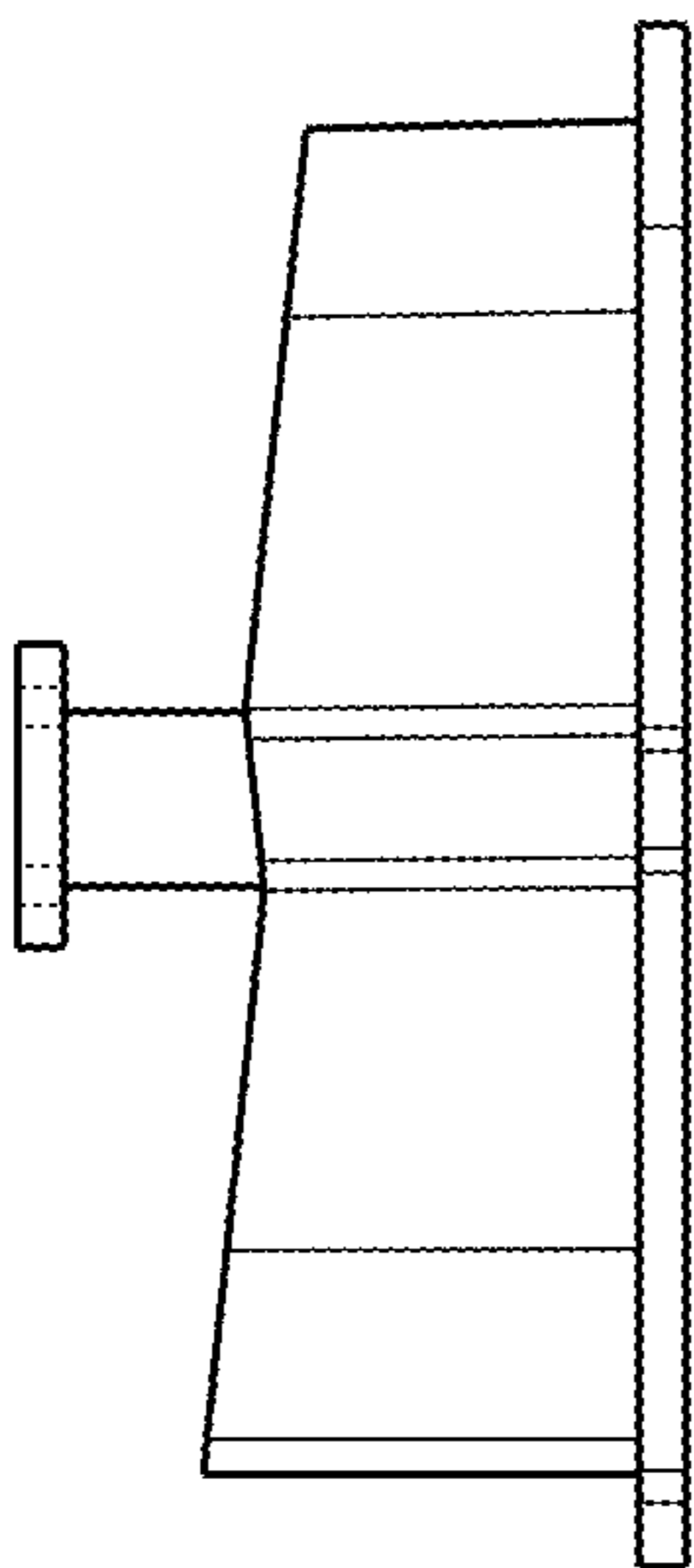


FIG. 11

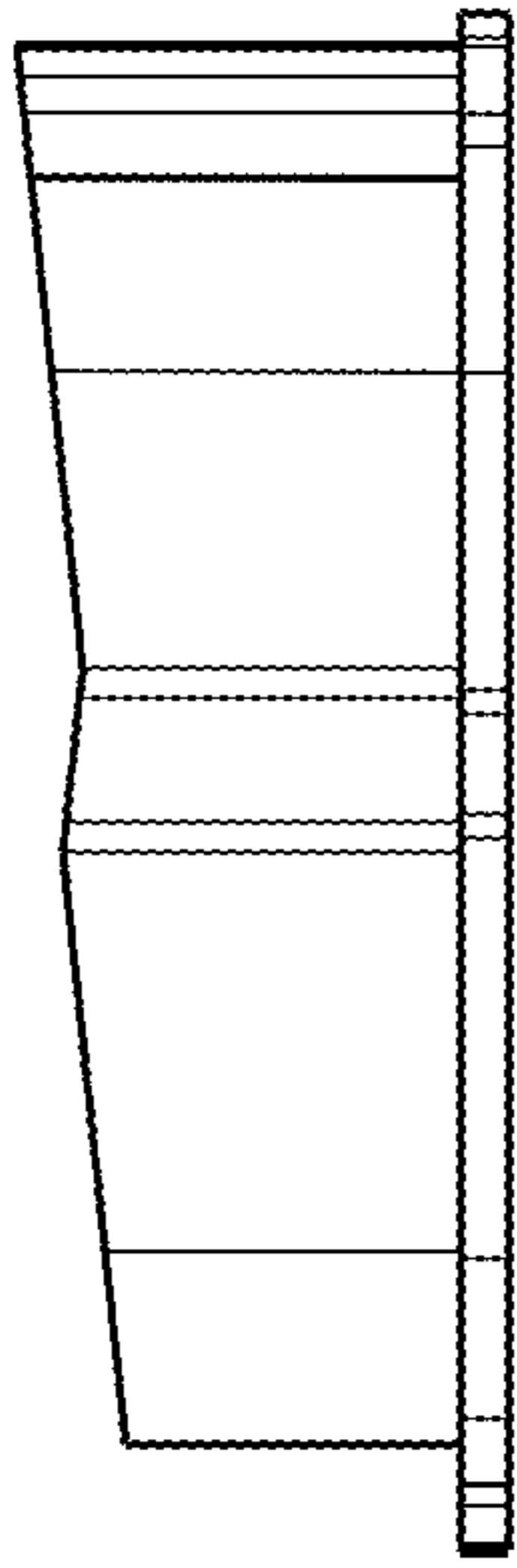


FIG. 12

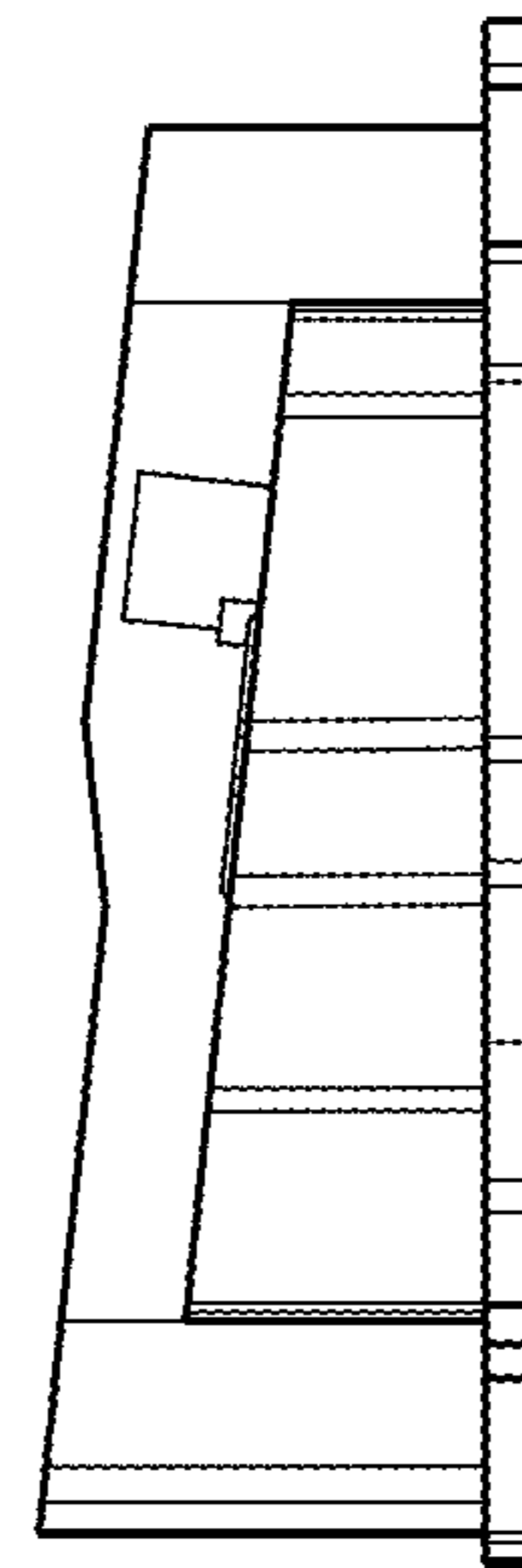


FIG. 13

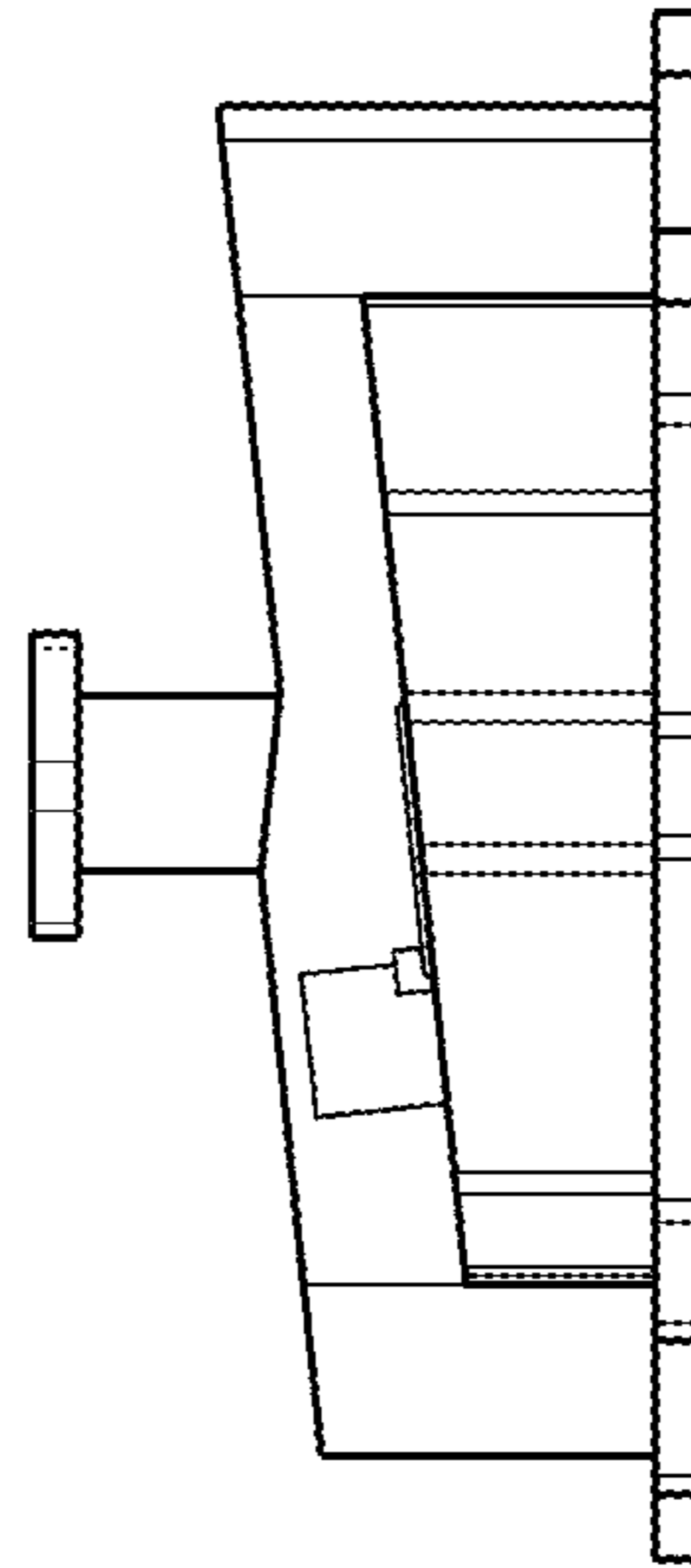


FIG. 14