



US00D875139S

(12) **United States Design Patent** (10) **Patent No.:** **US D875,139 S**
Crawford et al. (45) **Date of Patent:** **** Feb. 11, 2020**

- (54) **FUEL CELL ADAPTER**
- (71) Applicant: **Illinois Tool Works Inc.**, Glenview, IL (US)
- (72) Inventors: **Ronald Brett Crawford**, Randolph, MS (US); **Maureen L. Shea**, Chicago, IL (US)
- (73) Assignee: **Illinois Tool Works Inc.**, Glenview, IL (US)
- (**) Term: **15 Years**
- (21) Appl. No.: **29/623,886**
- (22) Filed: **Oct. 27, 2017**

6,095,704 A 8/2000 Jaeger et al.
 6,176,412 B1 1/2001 Weinger et al.
 6,302,297 B1 10/2001 Richardson et al.
 (Continued)

FOREIGN PATENT DOCUMENTS

EP 1254745 11/2002
 EP 2815851 12/2014

OTHER PUBLICATIONS

Paslode Quicklode Fuel Cartridge Image, http://static.grainger.com/rp/s/is/image/Grainger/31EE19_AS01?hei=800&wid=935, Jan. 19, 2016, (1 page).

(Continued)

Primary Examiner — Susan E Krakower
Assistant Examiner — Jerry Shiuan-Hua Hsu
 (74) *Attorney, Agent, or Firm* — Neal, Gerber & Eisenberg LLP

Related U.S. Application Data

- (63) Continuation of application No. 29/566,235, filed on May 27, 2016, now Pat. No. Des. 812,101.
- (51) **LOC (12) Cl.** **15-01**
- (52) **U.S. Cl.**
USPC **D15/5**
- (58) **Field of Classification Search**
USPC D12/174, 179, 180, 187, 197, 213;
D15/1, 2, 3, 4, 5, 7; D23/213, 225, 233,
D23/237; D26/117; D7/391, 416
CPC B25C 1/08; B25C 1/04; F16K 15/144;
B65D 83/30; A61M 39/24
See application file for complete search history.

(57) **CLAIM**

The ornamental design for a fuel cell adapter, as shown and described.

DESCRIPTION

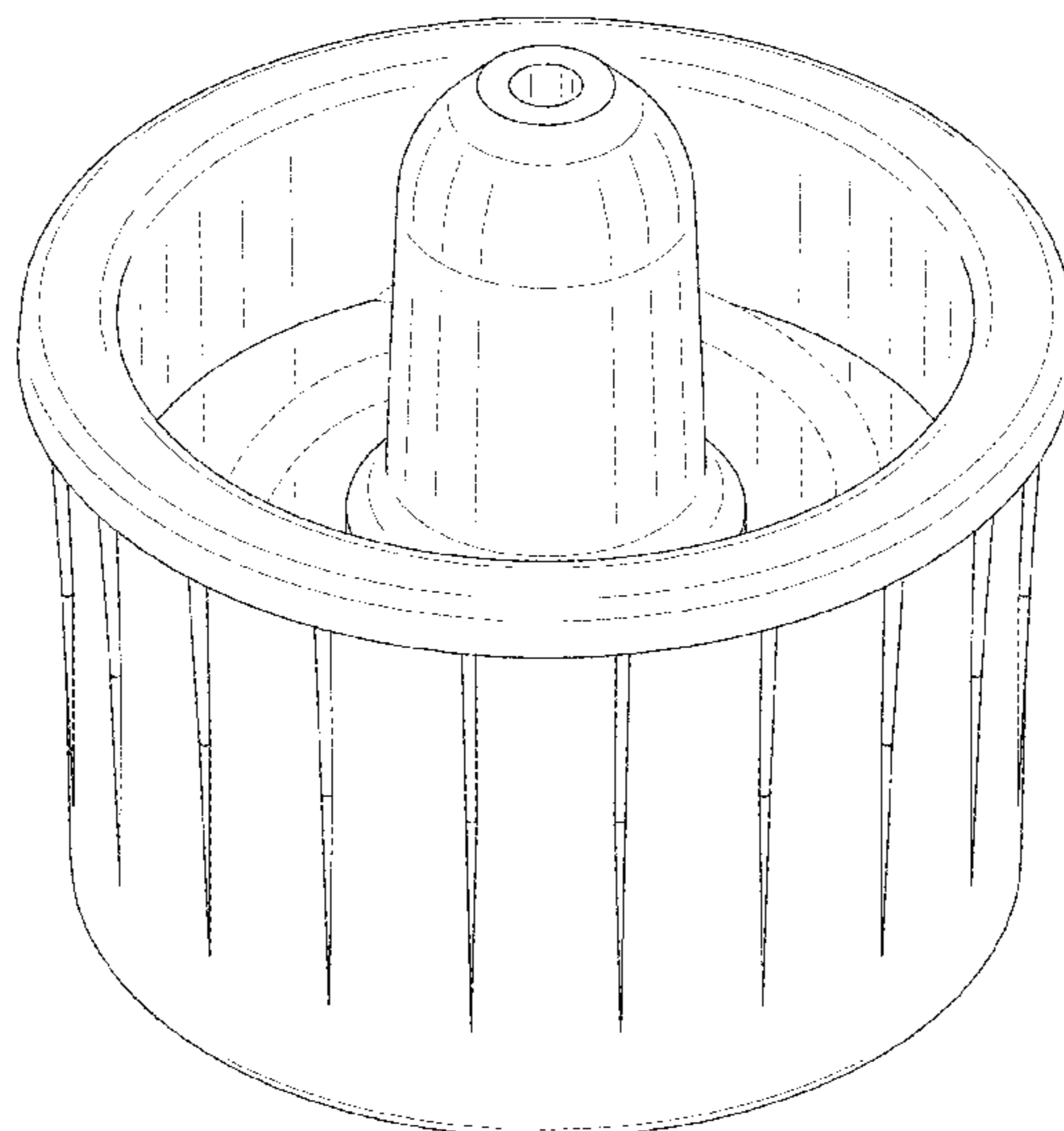
FIG. 1 is a top perspective view of a fuel cell adapter of our new design.
 FIG. 2 is a bottom front perspective view of the fuel cell adapter of FIG. 1.
 FIG. 3 is a front elevational view of the fuel cell adapter of FIG. 1, the back, the right side, and the left side elevational views being identical thereto.
 FIG. 4 is a top plan view of the fuel cell adapter of FIG. 1; and,
 FIG. 5 is a bottom plan view of the fuel cell adapter of FIG. 1.
 The broken lines showing portions of a fuel cell adapter are included to illustrate use and environment and form no part of the claimed design.

(56) **References Cited**

U.S. PATENT DOCUMENTS

4,403,722 A 9/1983 Nikolich
 4,483,474 A 11/1984 Nikolich
 4,522,162 A 6/1985 Nikolich
 D294,820 S 3/1988 Belletire
 5,115,944 A 5/1992 Nikolich
 D405,315 S 2/1999 Lioi
 D420,462 S 2/2000 Menter

1 Claim, 5 Drawing Sheets



(56)

References Cited

U.S. PATENT DOCUMENTS

D457,811 S 5/2002 Vanstaar et al.
 6,371,338 B1 8/2002 Klein et al.
 6,796,478 B2 9/2004 Shkolnikov et al.
 7,302,971 B2* 12/2007 Myntti F16K 15/144
 137/512.15
 7,392,922 B2 1/2008 Vanstaar et al.
 D577,100 S * 9/2008 Brown D23/213
 D582,437 S * 12/2008 Shimomura D15/7
 D582,440 S * 12/2008 Shimomura D15/7
 7,478,740 B2 1/2009 Shea et al.
 D590,840 S 4/2009 Shea et al.
 7,571,841 B2 8/2009 Gibson et al.
 7,591,249 B2 9/2009 Wagdy et al.
 7,654,429 B2 2/2010 Shea et al.
 7,661,568 B2 2/2010 Vanstaar et al.
 7,677,420 B1* 3/2010 Greer, Jr. B65D 83/30
 222/1
 7,757,920 B2 7/2010 Shea et al.
 D633,922 S 3/2011 Shea et al.
 D645,053 S 9/2011 Shea et al.
 8,157,130 B2* 4/2012 Murayama B25C 1/08
 222/105
 8,302,831 B2 11/2012 Taylor et al.
 D681,677 S 5/2013 Shea et al.
 D721,789 S 1/2015 Lu

8,939,339 B2 1/2015 Vanstaar et al.
 D739,919 S 9/2015 Alexander et al.
 9,505,509 B2 11/2016 Smith
 D787,326 S 5/2017 Hanson et al.
 D812,101 S * 3/2018 Crawford D15/5
 10,226,614 B2* 3/2019 Tumminaro A61M 39/24
 2004/0206798 A1 10/2004 Robinson
 2005/0230451 A1 10/2005 Vanstaar et al.
 2008/0000451 A1 1/2008 Shea et al.
 2008/0110953 A1* 5/2008 Gibson B25C 1/08
 227/10
 2014/0175143 A1 6/2014 Vanstaar et al.
 2016/0045072 A1 2/2016 Myoung
 2017/0343211 A1* 11/2017 Crawford B25C 1/04

OTHER PUBLICATIONS

Yagid, Rob, "Cordless finish nailer", HowItWorks, The Taunton Press, Inc. Jun./Jul. 2011, (2 pages).
 Ecko MultiCell, Ecko Fastening Systems, Available prior to May 27, 2016, (4 pages).
 Ecko FuelCell Cordless Fastening System Images, Available prior to May 27, 2016 (3 pages).
 International Search Report and Written Opinion for International Application No. PCT/US2016/062529, dated Mar. 21, 2017 (11 pages).

* cited by examiner

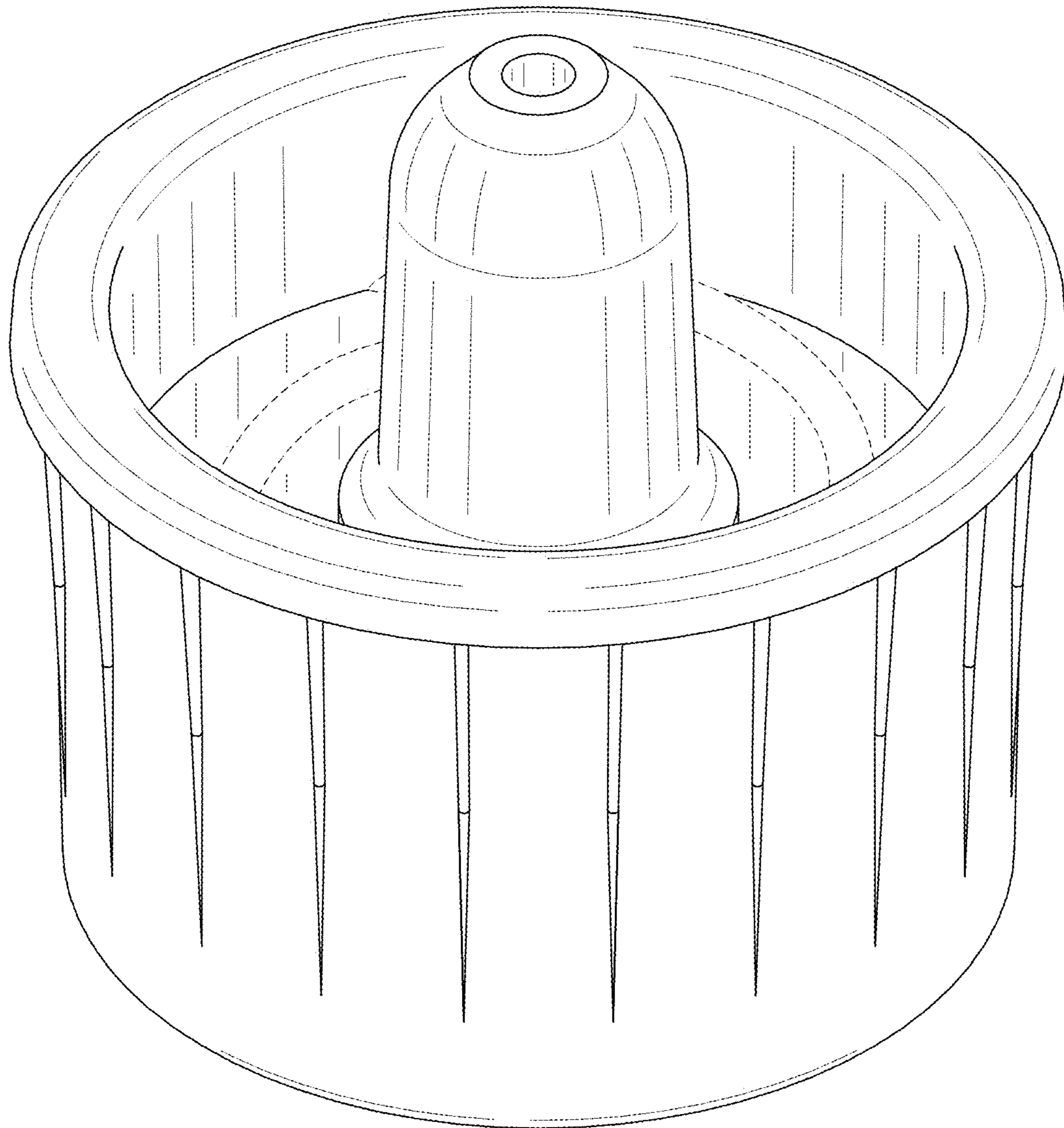


FIG. 1

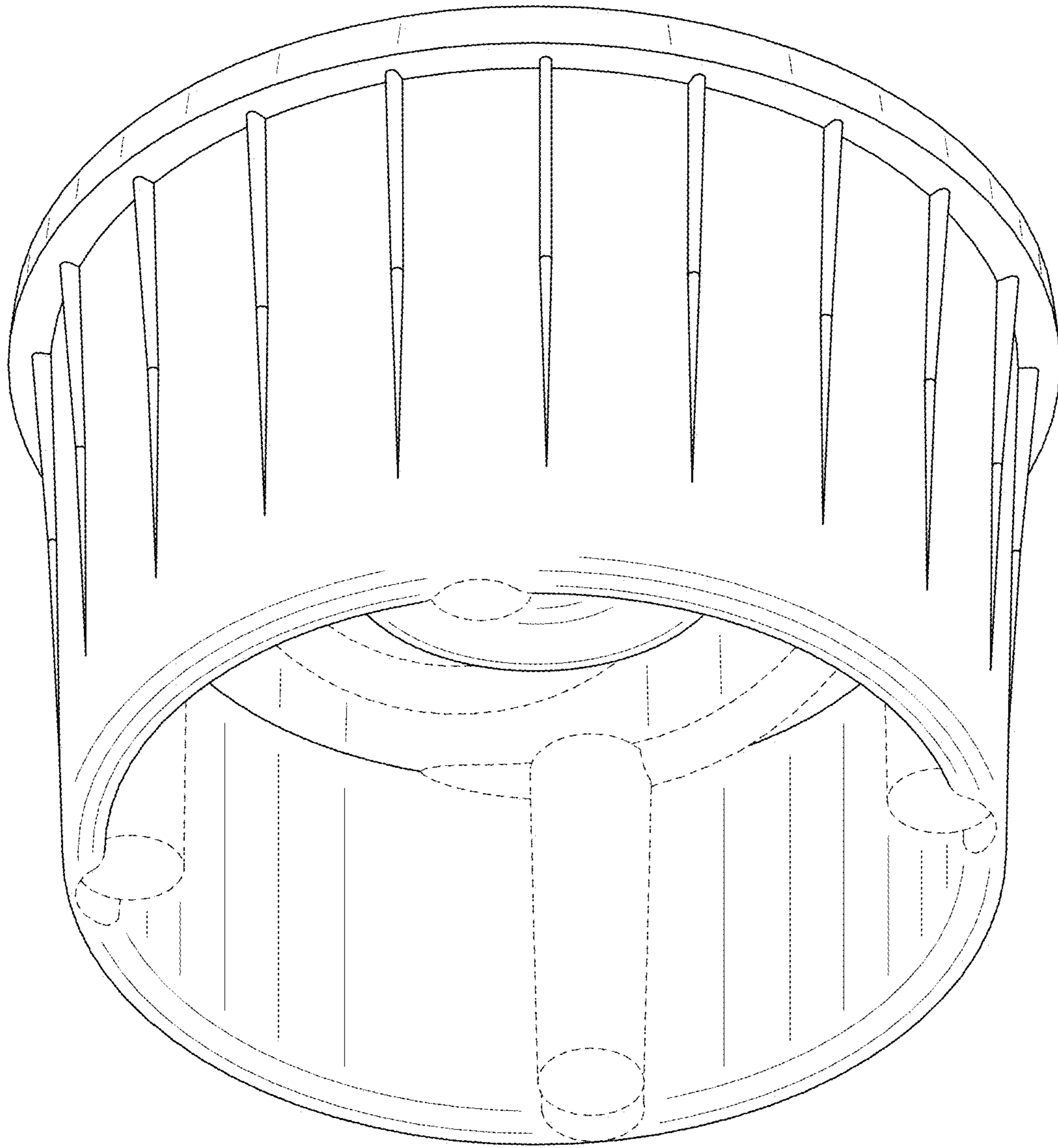


FIG. 2

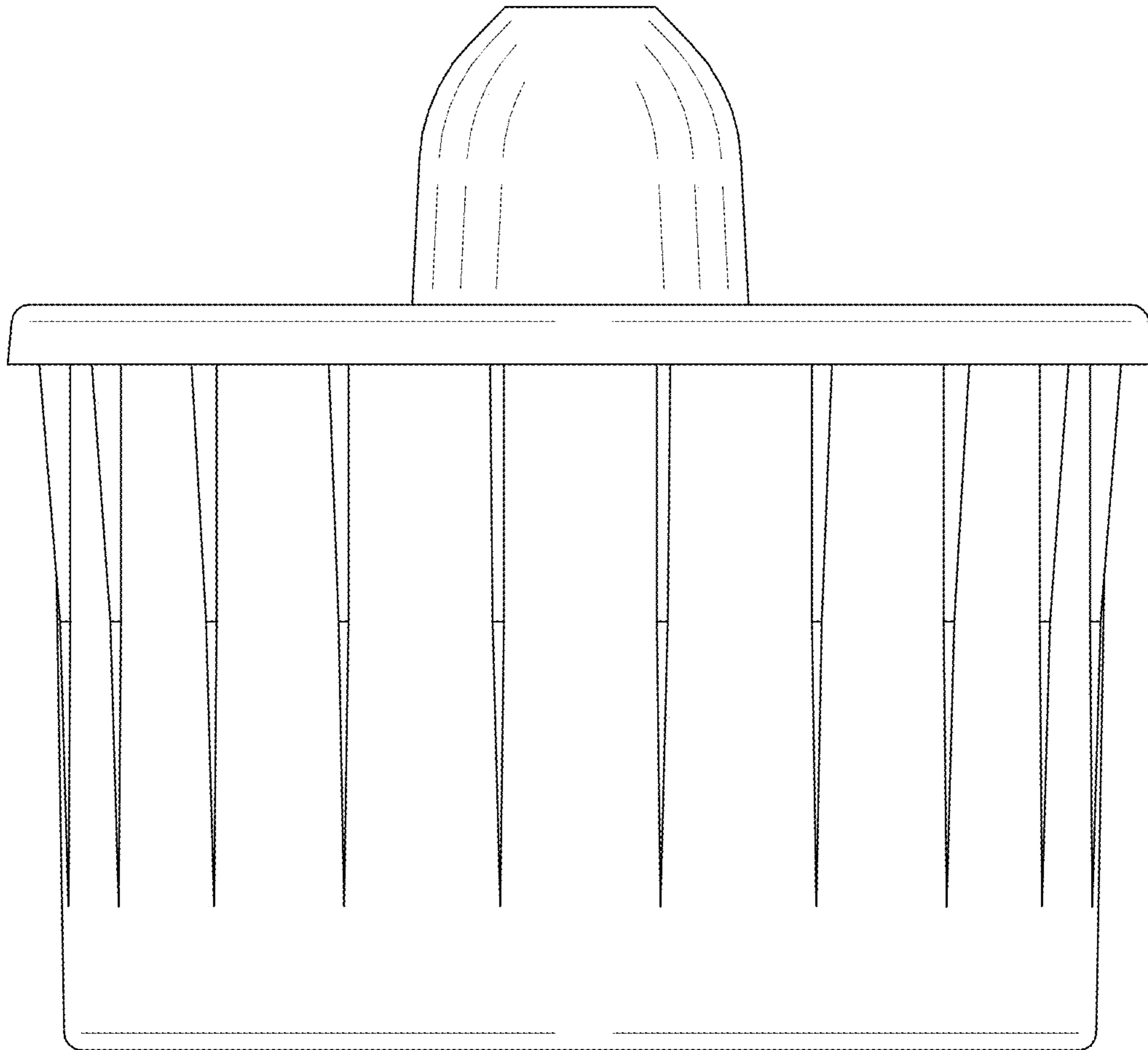


FIG. 3

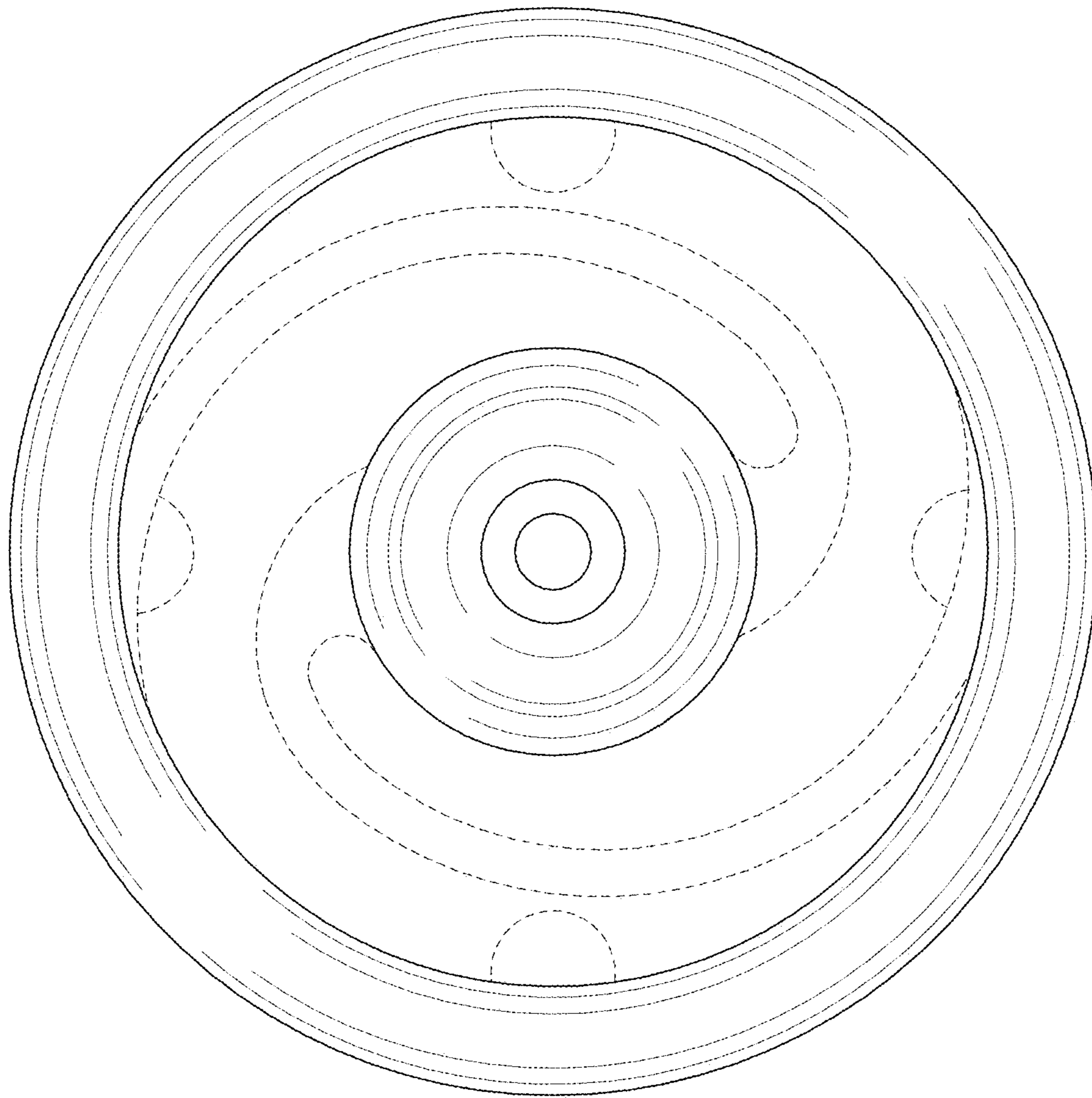


FIG. 4

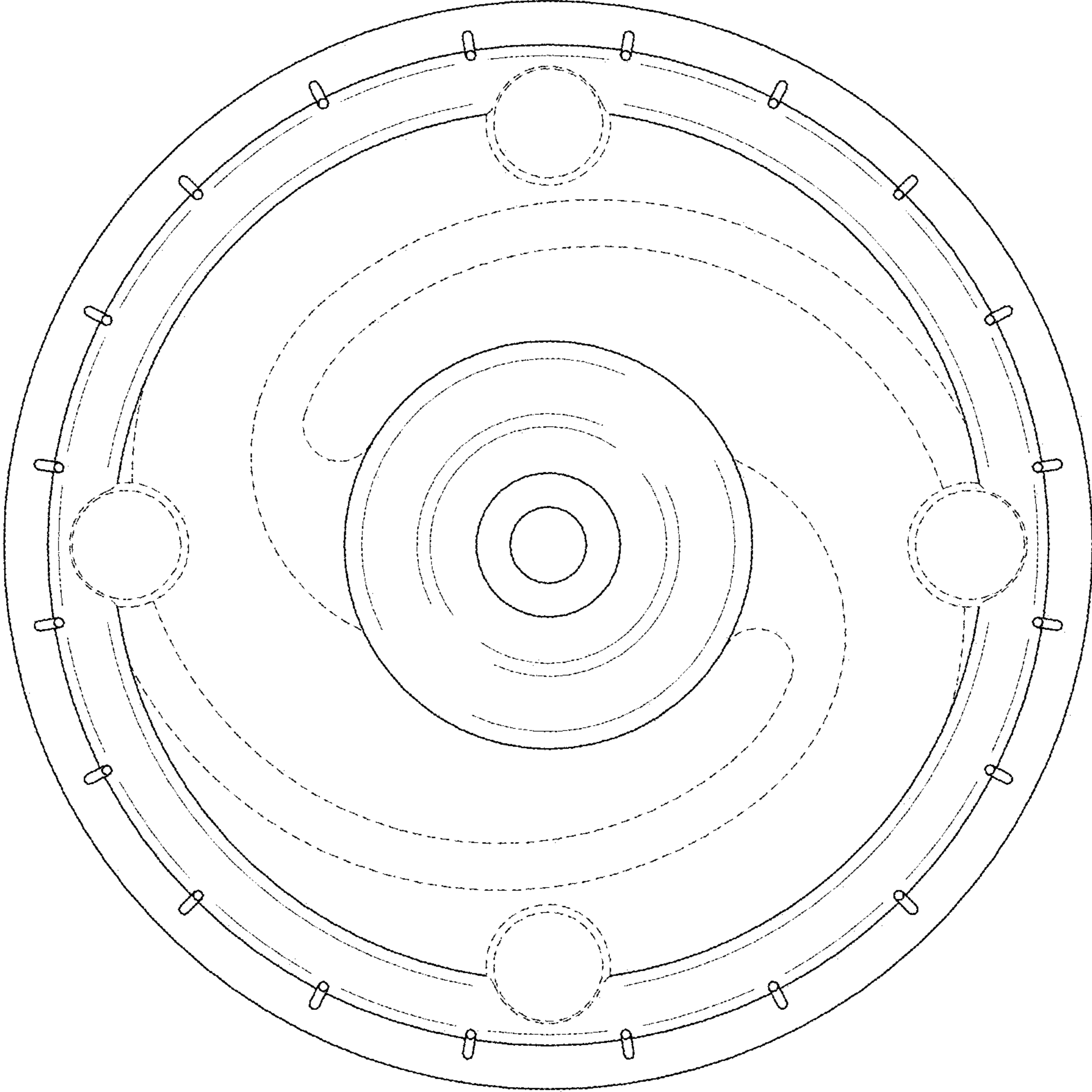


FIG. 5