



US00D875138S

(12) **United States Design Patent** (10) **Patent No.:** **US D875,138 S**
Mendelson et al. (45) **Date of Patent:** **** Feb. 11, 2020**

(54) **PORTABLE ELECTRONIC DEVICE**

(71) Applicant: **Mighty Audio, Inc.**, Napa, CA (US)

(72) Inventors: **Anthony Mendelson**, Napa, CA (US);
Anthony Pu, Santa Monica, CA (US);
Mark Gullickson, Lander, WY (US);
Erik Ries, Honolulu, HI (US)

(73) Assignee: **Mighty Audio, Inc.**, Napa, CA (US)

(**) Term: **15 Years**

(21) Appl. No.: **29/615,645**

(22) Filed: **Aug. 30, 2017**

Related U.S. Application Data

(62) Division of application No. 29/560,878, filed on Apr. 11, 2016, now Pat. No. Des. 799,551.

(51) **LOC (12) Cl.** **14-03**

(52) **U.S. Cl.**
USPC **D14/496; D14/203.3**

(58) **Field of Classification Search**
USPC D14/158, 160–165, 167–168, 172,
D14/188–189, 191, 203.1–203.6, 204,
D14/207–216, 217, 218, 226, 249, 299,
D14/341, 344, 345, 356, 358, 439, 480.1,
D14/480.3–480.5, 496; D3/215, 218
CPC G06F 1/1613; G06F 1/163; G06F 1/1633;
G06F 1/1681; G06F 13/10; G06F 13/12;
H04M 1/0202; H04M 1/05; H04M
1/6091; H04M 1/6066; H01R 12/00;
H04B 1/385

See application file for complete search history.

(56) **References Cited**

U.S. PATENT DOCUMENTS

6,254,477 B1 7/2001 Sasaki et al.
6,540,611 B1 4/2003 Nagata
6,595,860 B1 7/2003 Yamamoto et al.
D521,460 S 5/2006 Shimizu

D531,157 S * 10/2006 Lheem D14/138 AB
D542,303 S 5/2007 Cheng
D556,155 S * 11/2007 Andre D13/168
D558,790 S 1/2008 Yu et al.
D559,861 S * 1/2008 Andre D14/496
D560,228 S * 1/2008 Andre D14/496
D563,994 S 3/2008 Liu et al.
D594,874 S * 6/2009 Sheba D14/203.3
D594,875 S 6/2009 Sheba et al.
D616,898 S * 6/2010 Miller D14/203.1

(Continued)

OTHER PUBLICATIONS

Mighty Spotify Player, online, post date Feb. 24, 2016, URL:
<https://www.thecolector.com/mighty-spotify-player/>, retrieved May
2, 2019.*

Primary Examiner — Jeffrey D Asch

Assistant Examiner — Rebekah A Caruso

(74) *Attorney, Agent, or Firm* — Nutter McClennen &
Fish LLP

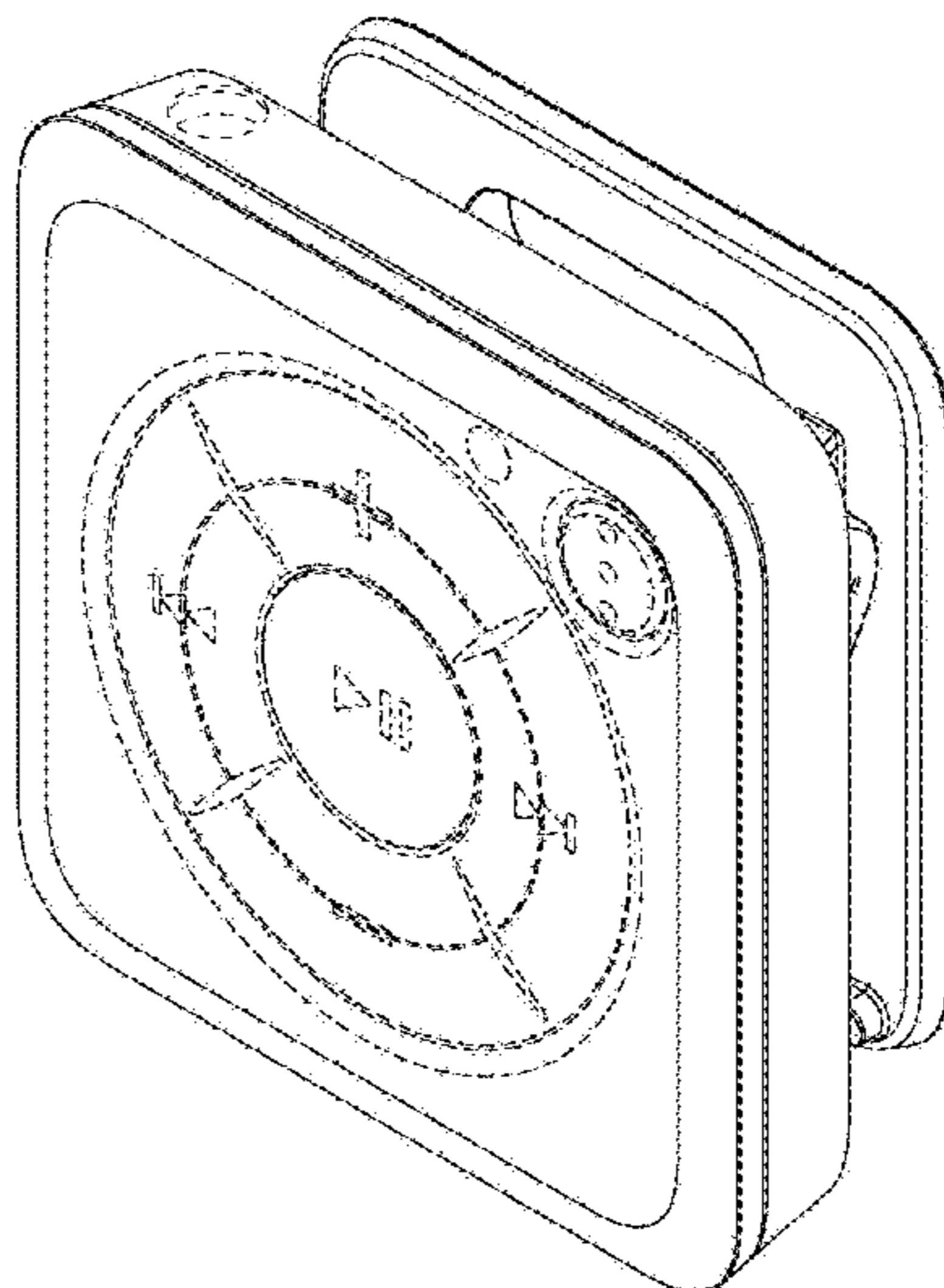
(57) **CLAIM**

The ornamental design for a portable electronic device, as
shown and described.

DESCRIPTION

FIG. 1 is a front elevational view of one embodiment of a
portable electronic device showing our new design;
FIG. 2 is a perspective view thereof;
FIG. 3 is a rear elevational view thereof;
FIG. 4 is a top plan view thereof;
FIG. 5 is a bottom plan view thereof;
FIG. 6 is a left-side elevational view thereof;
FIG. 7 is another left-side elevational view thereof, shown in
an alternate position; and,
FIG. 8 is a right-side elevational view thereof.
The broken lines in the Drawings illustrate portions of the
portable electronic device that form no part of the claimed
design.

1 Claim, 8 Drawing Sheets



(56)

References Cited

U.S. PATENT DOCUMENTS

D616,899 S * 6/2010 Andre D14/496
D629,011 S 12/2010 Lee
D638,030 S * 5/2011 Akana D14/203.3
D647,919 S * 11/2011 Akana D14/203.3
D647,921 S 11/2011 Akana et al.
D654,506 S * 2/2012 Akana D14/496
D656,122 S * 3/2012 Niizawa D14/203.3
D656,955 S * 4/2012 Akana D14/203.3
D663,320 S * 7/2012 Akana D14/203.3
D669,915 S * 10/2012 Akana D14/203.3
D673,975 S * 1/2013 Akana D14/203.3
D678,336 S * 3/2013 Akana D14/203.3
D678,909 S * 3/2013 Akana D14/203.3
D690,739 S * 10/2013 Akana D14/496
D693,847 S * 11/2013 Andre D14/496
D705,748 S * 5/2014 He D14/155
D711,924 S * 8/2014 Akana D14/496
8,910,265 B2 12/2014 Lang et al.
9,674,587 B2 6/2017 Triplett et al.
D797,100 S * 9/2017 Wieser D14/358
D799,551 S 10/2017 Mendelson et al.
D839,242 S * 1/2019 Pang D14/223
2010/0198375 A1 8/2010 Rottler et al.
2015/0249882 A1 9/2015 Patil et al.
2016/0080870 A1 3/2016 Vicites et al.
2017/0293463 A1 10/2017 Mendelson et al.
2019/0138265 A1 5/2019 Mendelson et al.

* cited by examiner

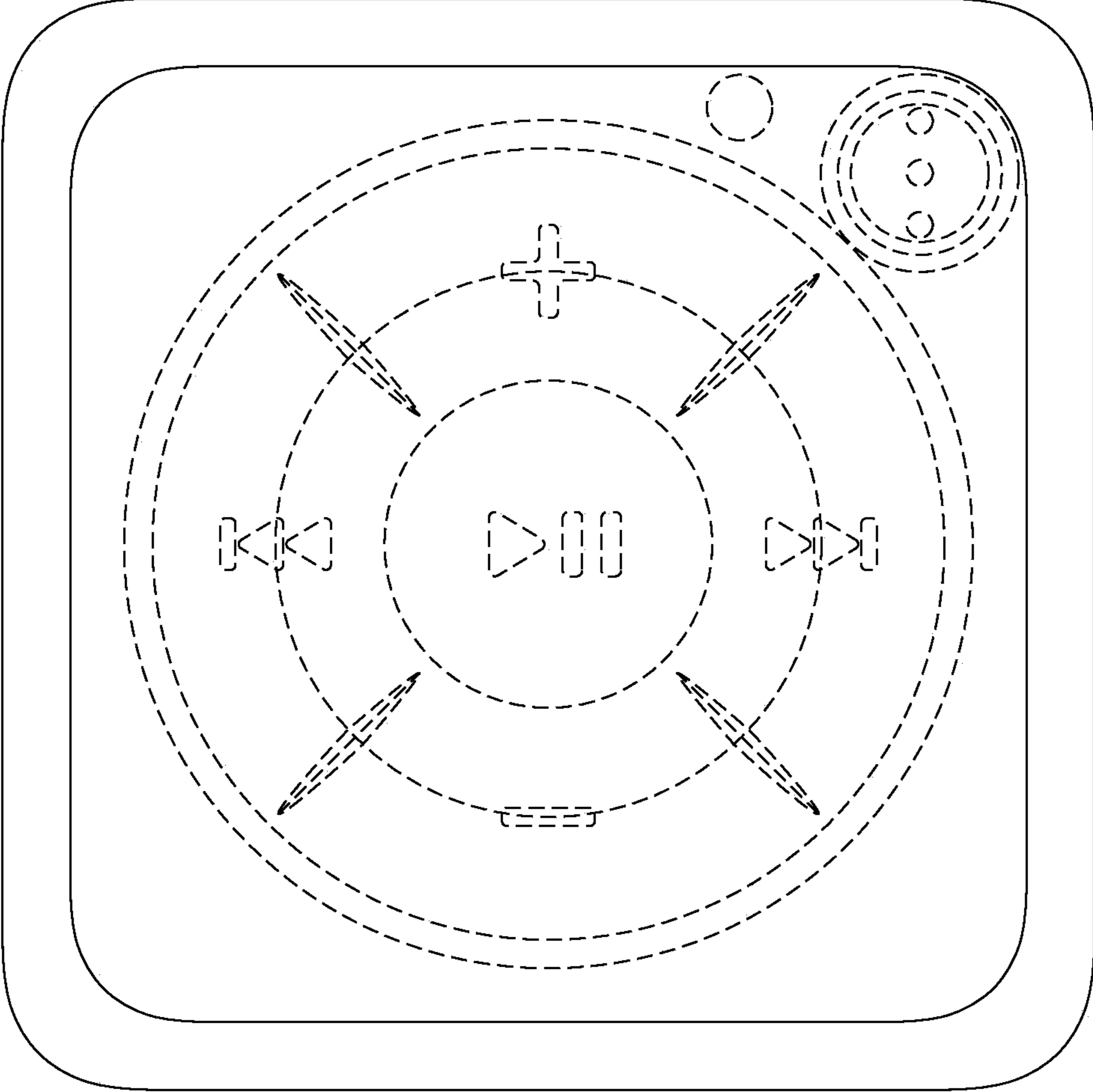


FIG. 1

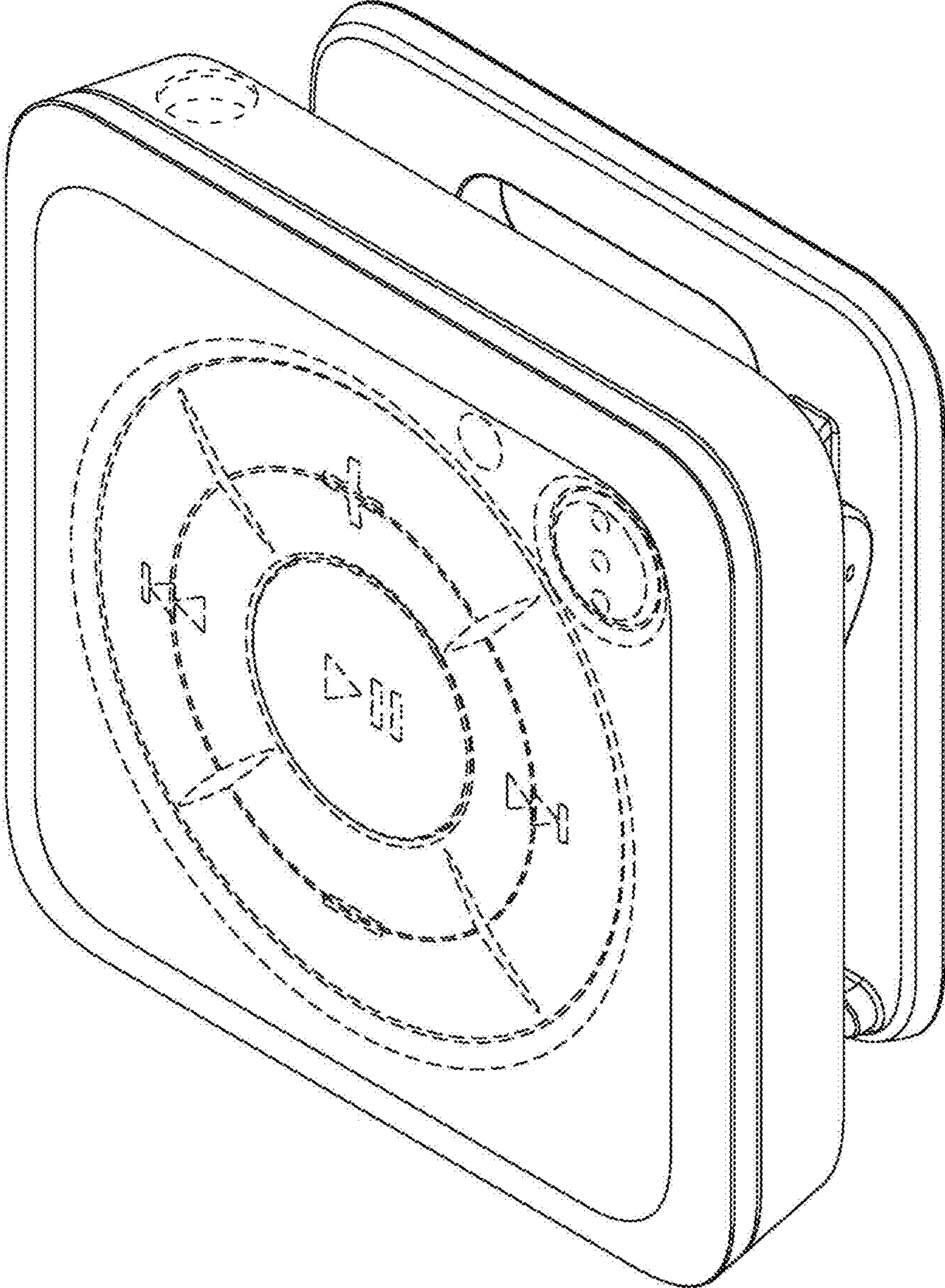


FIG. 2

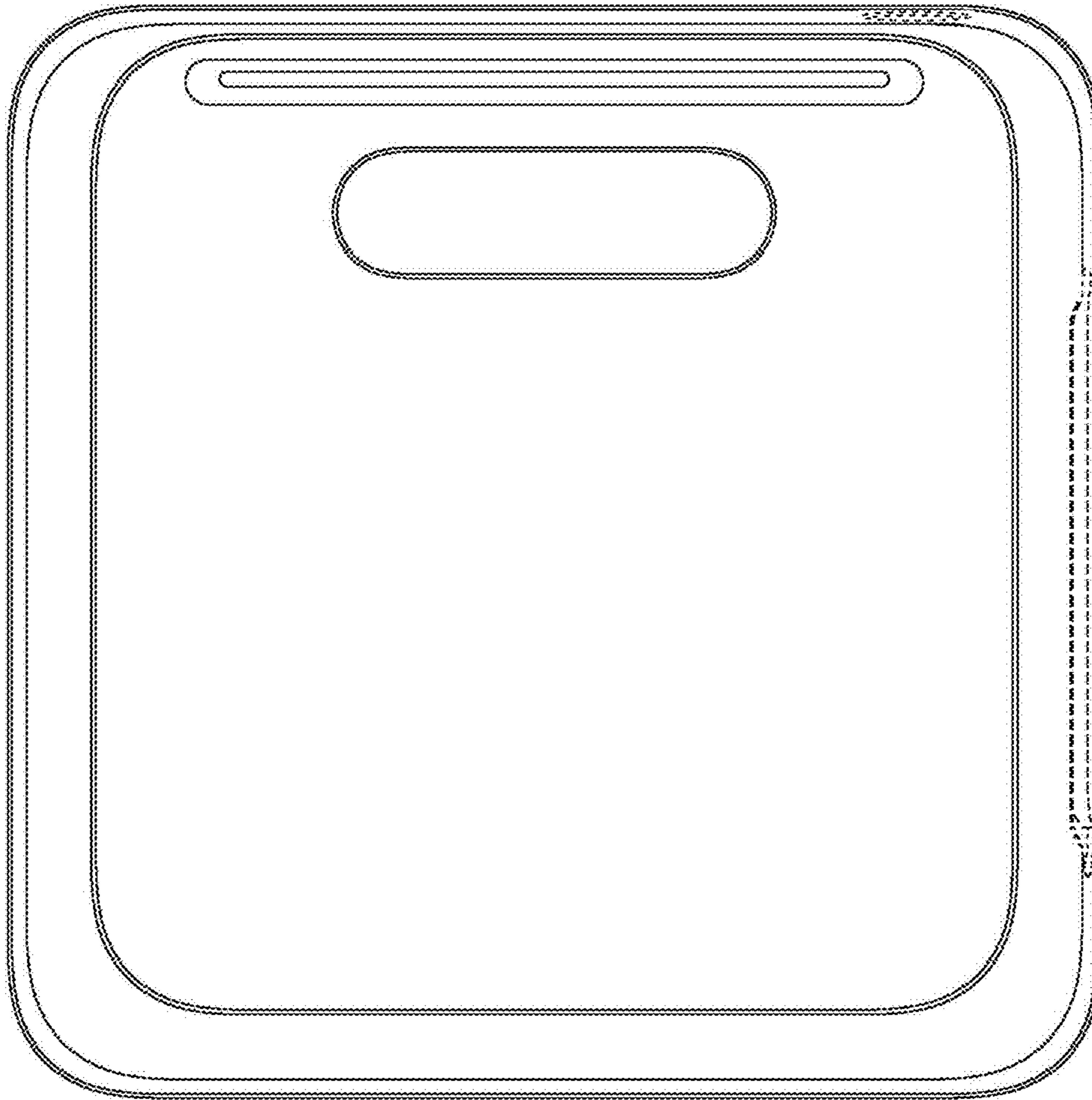


FIG. 3

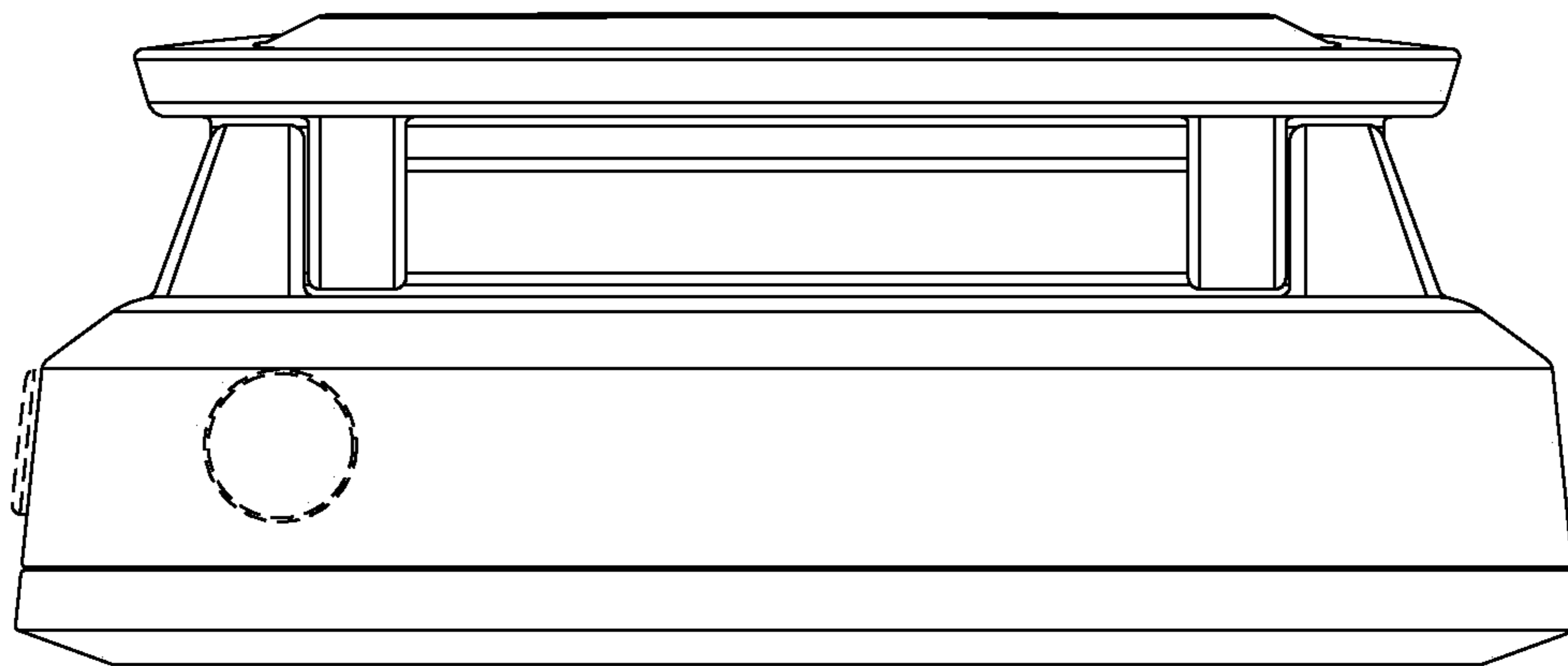


FIG. 4

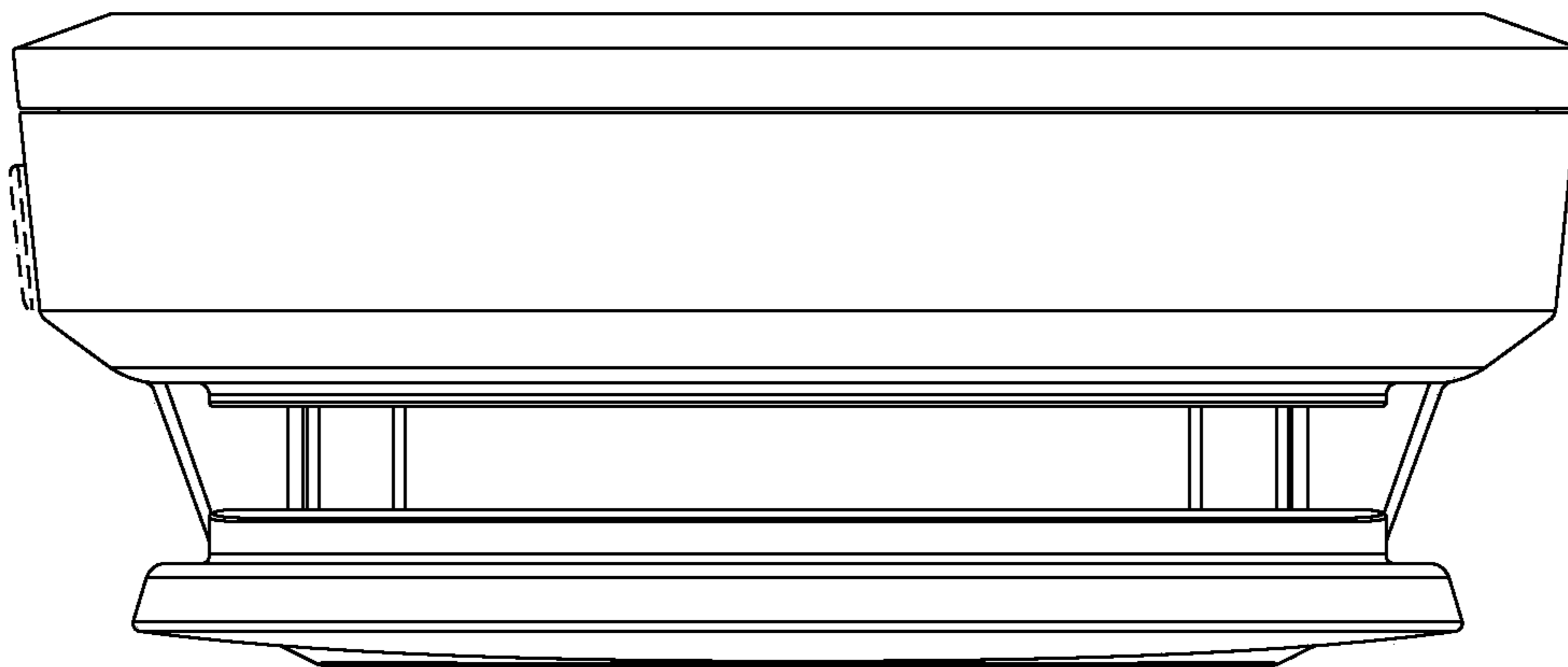


FIG. 5

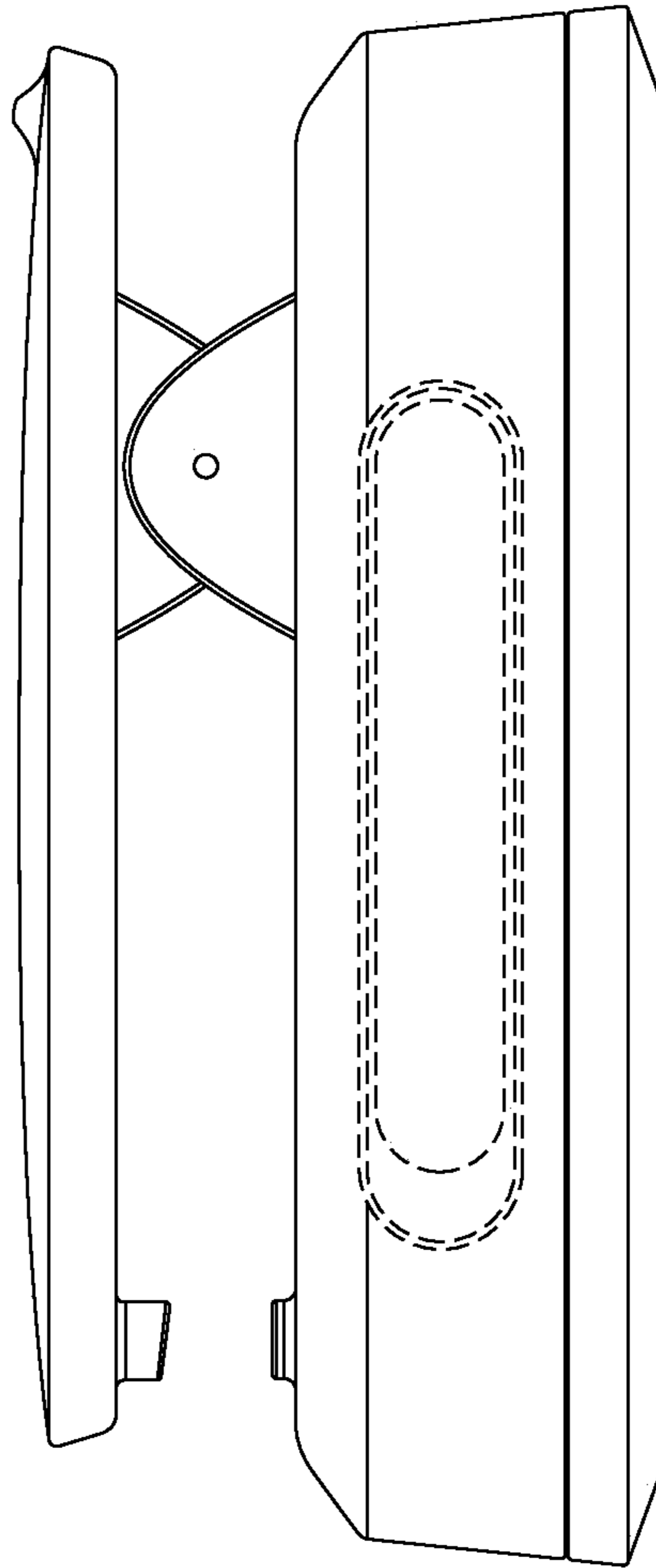


FIG. 6

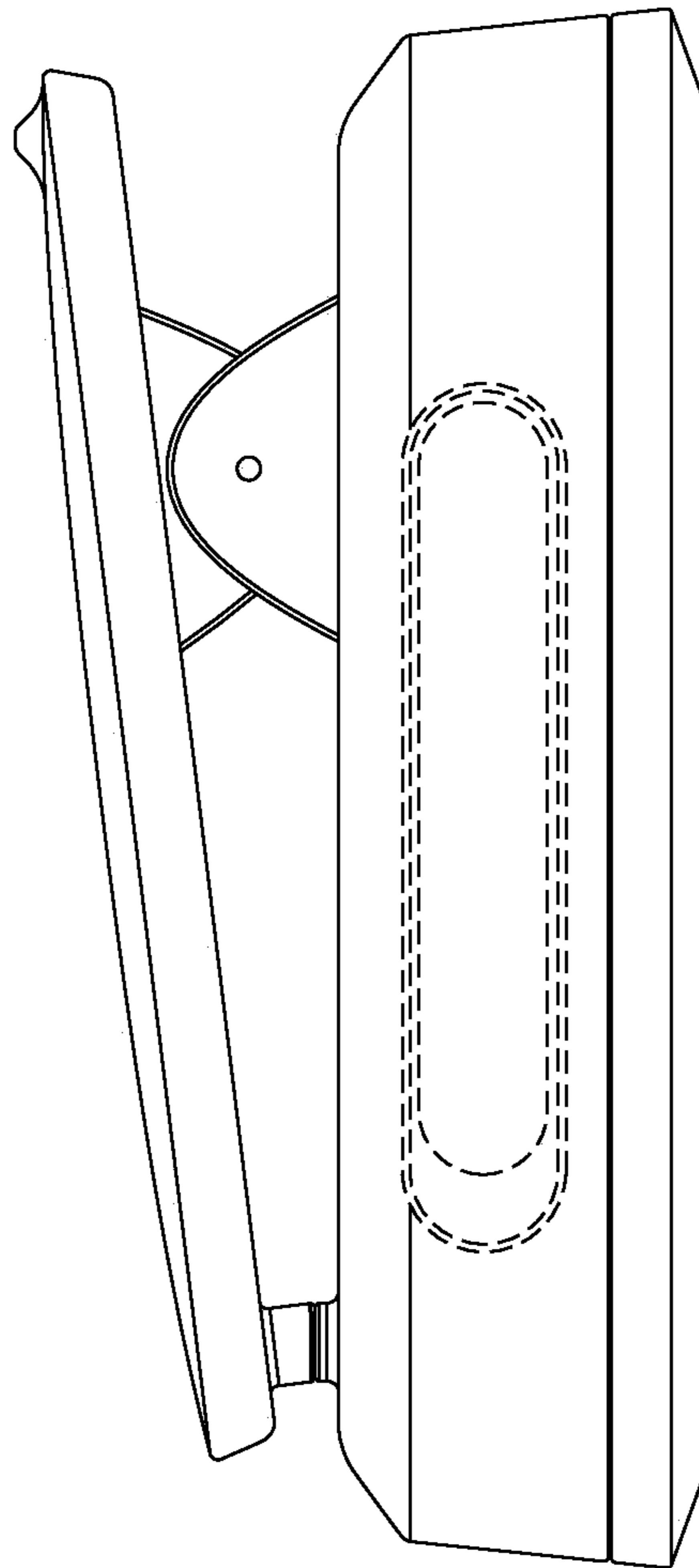


FIG. 7

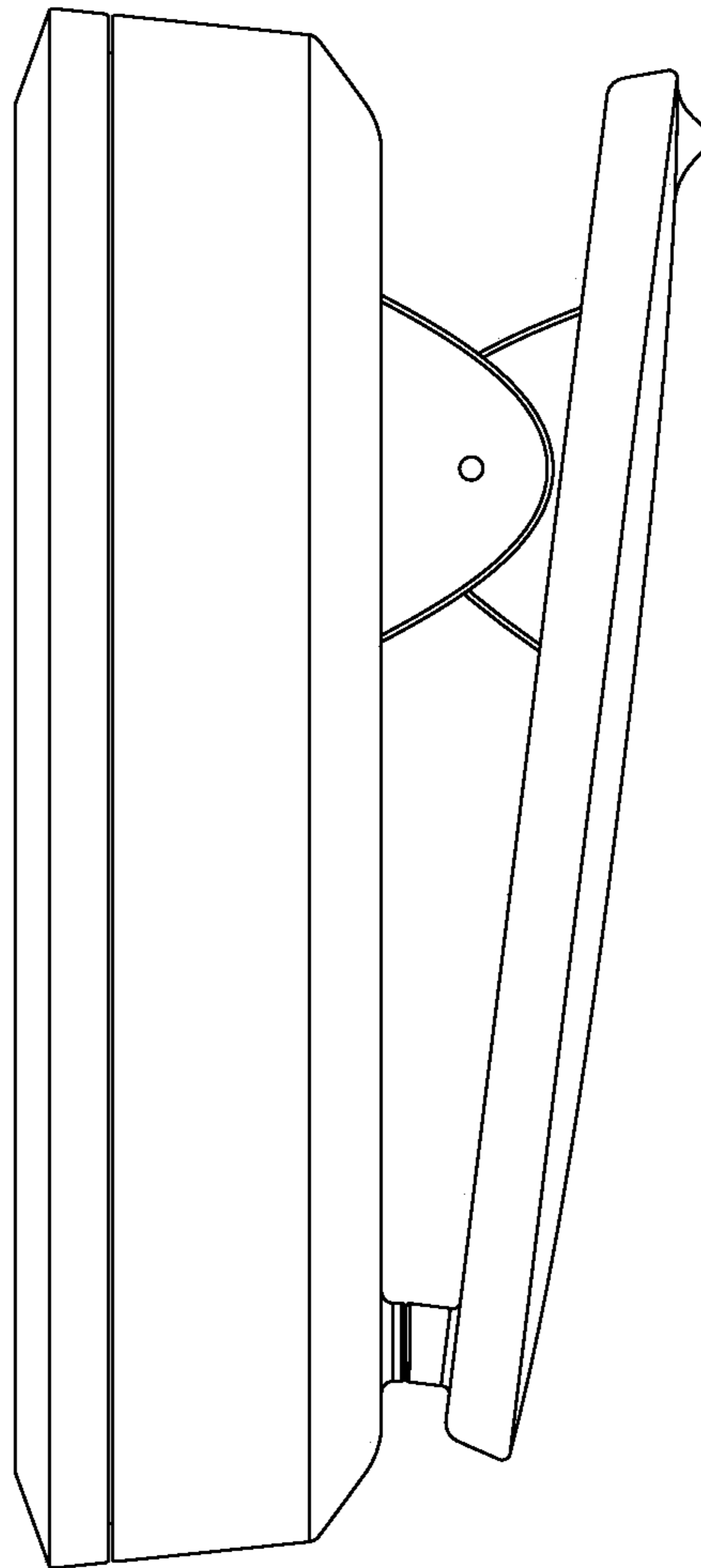


FIG. 8