



US00D875135S

(12) **United States Design Patent** (10) **Patent No.:** **US D875,135 S**  
**Tran et al.** (45) **Date of Patent:** **\*\* Feb. 11, 2020**

(54) **DISPLAY PANEL OR PORTION THEREOF WITH A TRANSITIONAL MIXED REALITY GRAPHICAL USER INTERFACE**

(71) Applicant: **MAGIC LEAP, INC.**, Plantation, FL (US)

(72) Inventors: **Gregory Minh Tran**, Miami, FL (US);  
**Lorena Pazmino**, Wilton Manor, FL (US)

(73) Assignee: **Magic Leap, Inc.**, Plantation, FL (US)

(\*\*) Term: **15 Years**

(21) Appl. No.: **29/640,726**

(22) Filed: **Mar. 16, 2018**

(51) **LOC (12) Cl.** ..... **14-04**

(52) **U.S. Cl.**  
USPC ..... **D14/489**

(58) **Field of Classification Search**  
USPC ..... D14/485-495; 345/1.1, 1.2, 2.1-2.3, 3.1, 345/902; 715/763, 810, 836, 837, 846, 715/847, 977  
CPC .... G06F 3/048; G06F 3/0481; G06F 3/04812; G06F 3/04817; G06F 3/0482; G06F 3/0483; G06F 3/0484; G06F 3/04847; G06F 3/0485; G06F 3/04855; G06F 3/04886; G06Q 30/00; H03J 1/00; H03J 1/0008; H03J 1/0016; H03J 1/0025; H04N 5/00; H04N 5/08; H04N 5/14; H04N 5/222; H04N 5/225; H04N 5/232; H04N 5/445; H04N 5/44543; H04N 5/45; H04N 2005/44517; H04N 2005/44521; H04N 2005/44526; H04N 2005/4453; H04N 2005/44534; H04N 2005/44539; H04N 2005/44547; H04N 2005/44556; H04N 2005/4456; H04N 2005/44565; H04N

(Continued)

(56) **References Cited**

U.S. PATENT DOCUMENTS

D752,072 S \* 3/2016 Song ..... D14/486  
D758,422 S \* 6/2016 Zhao ..... G06F 3/04817  
D14/488

(Continued)

*Primary Examiner* — Catron C Brooks

*Assistant Examiner* — Christian P. McLean

(74) *Attorney, Agent, or Firm* — Vista IP Law Group LLP

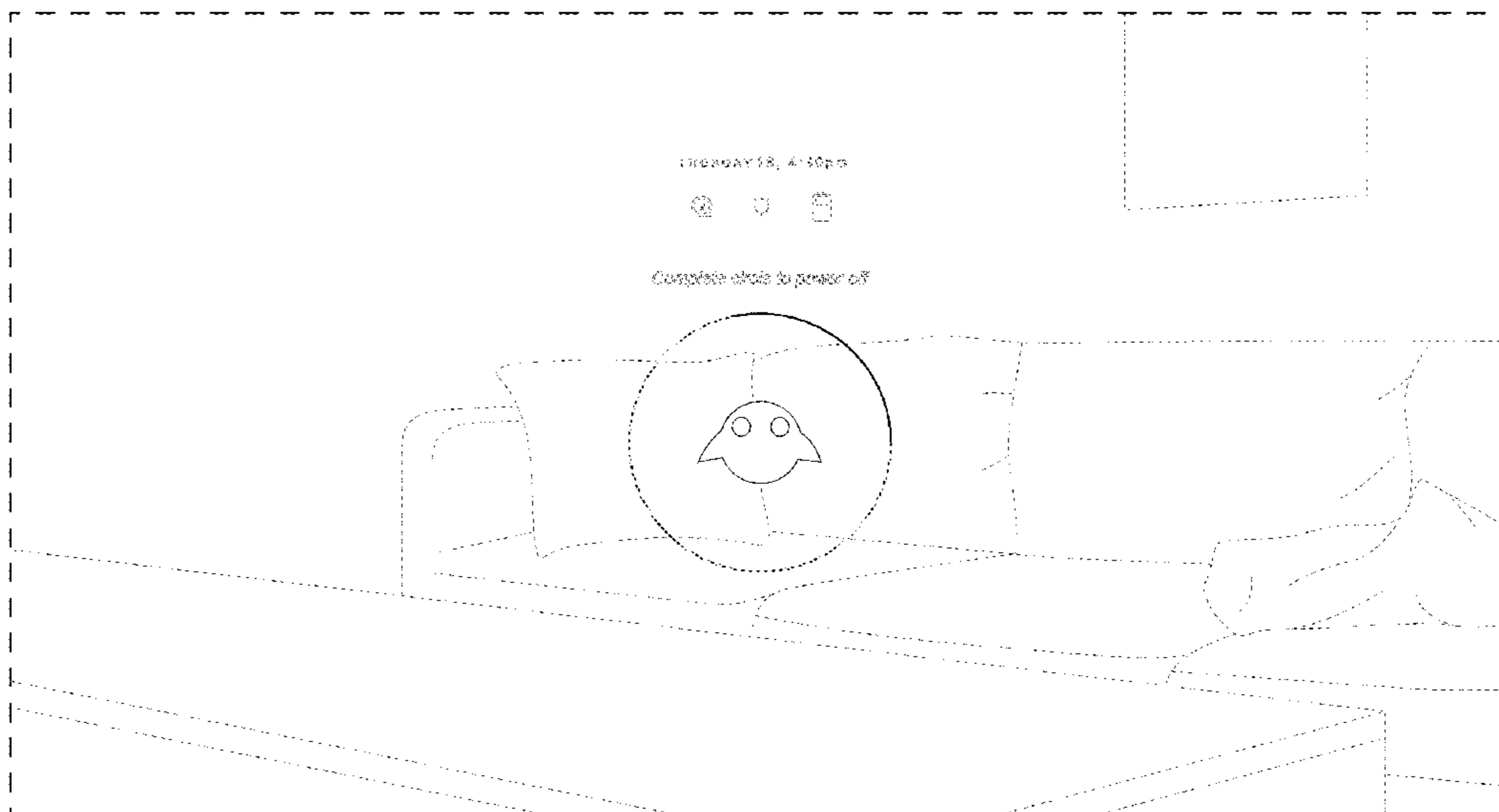
(57) **CLAIM**

The ornamental design for a display panel or portion thereof with a transitional mixed reality graphical user interface, as shown and described.

**DESCRIPTION**

FIG. 1 is a front view of a display panel or portion thereof with a transitional mixed reality graphical user interface showing a first image in a sequence of our design; FIG. 2 is a front view of a display panel or portion thereof with a transitional mixed reality graphical user interface showing a second image in the sequence thereof; FIG. 3 is a front view of a display panel or portion thereof with a transitional mixed reality graphical user interface showing a third image in the sequence thereof; and, FIG. 4 is a front view of a display panel or portion thereof with a transitional mixed reality graphical user interface showing a fourth image in the sequence thereof. The appearance of the image sequentially transitions between the images shown in FIGS. 1 through 4. The process or period in which one image transitions into another forms no part of the claimed design. The outermost broken line rectangle illustrates a display panel or portion thereof that forms no part of the claimed design. The remaining broken lines, including all text, illustrate portions of the graphical user interface or a mixed reality environment and form no part of the claimed design.

**1 Claim, 4 Drawing Sheets**



(58) **Field of Classification Search**

CPC ..... 2005/44569; H04N 2005/44573; H04N  
21/00; H04N 21/234; H04N 21/431;  
H04N 21/4312; H04N 21/4314; H04N  
21/4316

See application file for complete search history.

(56) **References Cited**

U.S. PATENT DOCUMENTS

D762,716	S	*	8/2016	Yang	.....	D14/489
D771,130	S	*	11/2016	Cho	.....	D14/490
D775,658	S	*	1/2017	Luo	.....	D14/488
D781,327	S	*	3/2017	Conze	.....	D14/486
D786,932	S	*	5/2017	Kim	.....	D14/488
D795,886	S	*	8/2017	Ng	.....	D14/485
D802,008	S	*	11/2017	Zhang	.....	D14/487
D804,515	S	*	12/2017	Vijay	.....	D14/487
D809,008	S	*	1/2018	Conchonnet	.....	D14/489
D834,616	S	*	11/2018	Hu	.....	D14/492
D837,807	S	*	1/2019	Baber	.....	D14/485
D843,392	S	*	3/2019	Timmer	.....	D14/485
D845,969	S	*	4/2019	Malahy	.....	D14/485
D845,994	S	*	4/2019	Akagawa	.....	D14/489
D847,901	S	*	5/2019	Kim	.....	D20/24
D848,466	S	*	5/2019	Mizono	.....	D14/486
D849,785	S	*	5/2019	Richardson	.....	D14/488
D851,655	S	*	6/2019	Robert	.....	D14/485
D851,656	S	*	6/2019	Robert	.....	D14/485
D852,207	S	*	6/2019	Robert	.....	D14/485
2012/0142250	A1	*	6/2012	Andersen	.....	A63H 3/365 446/321

\* cited by examiner

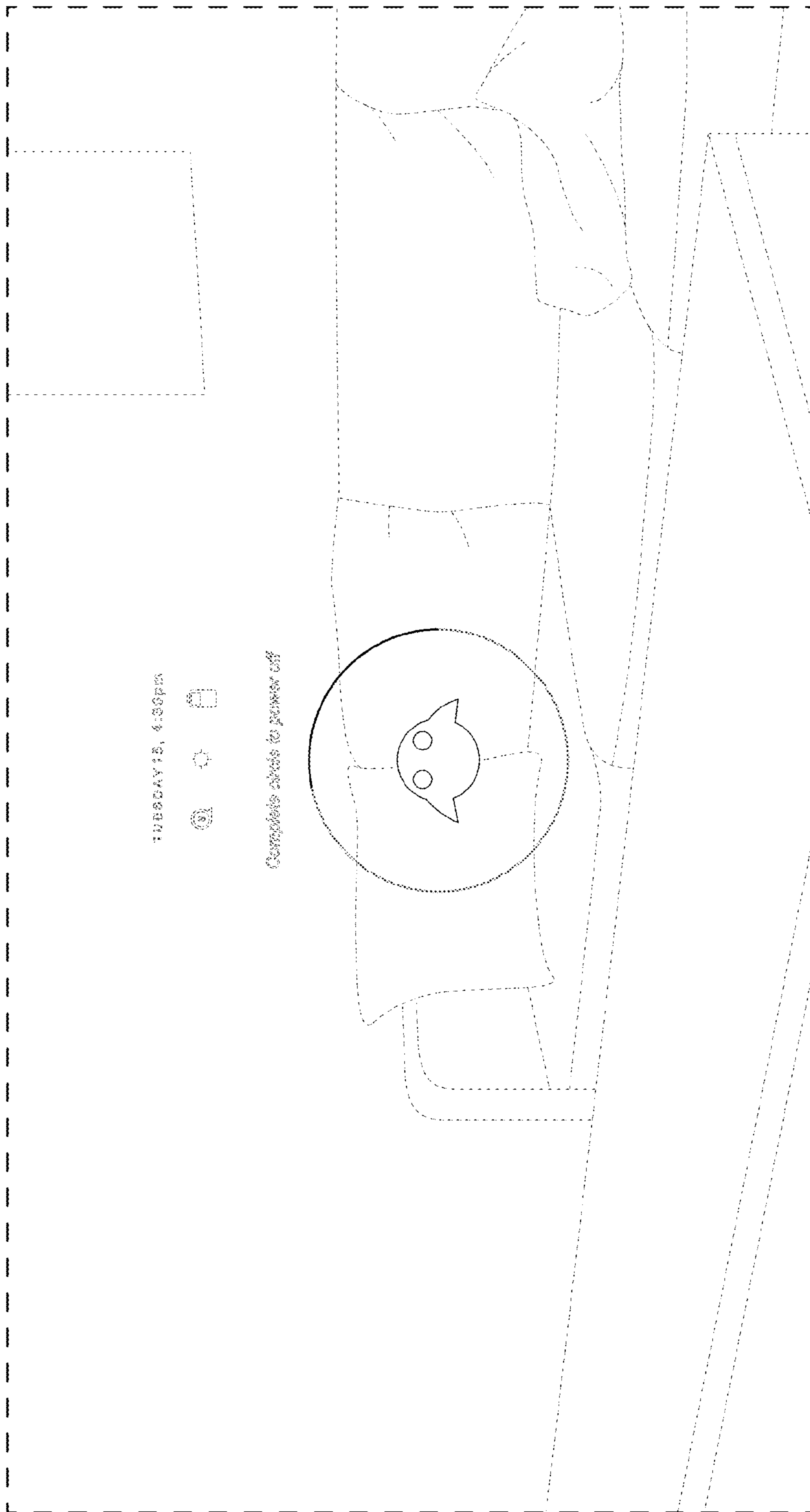


FIG. 1

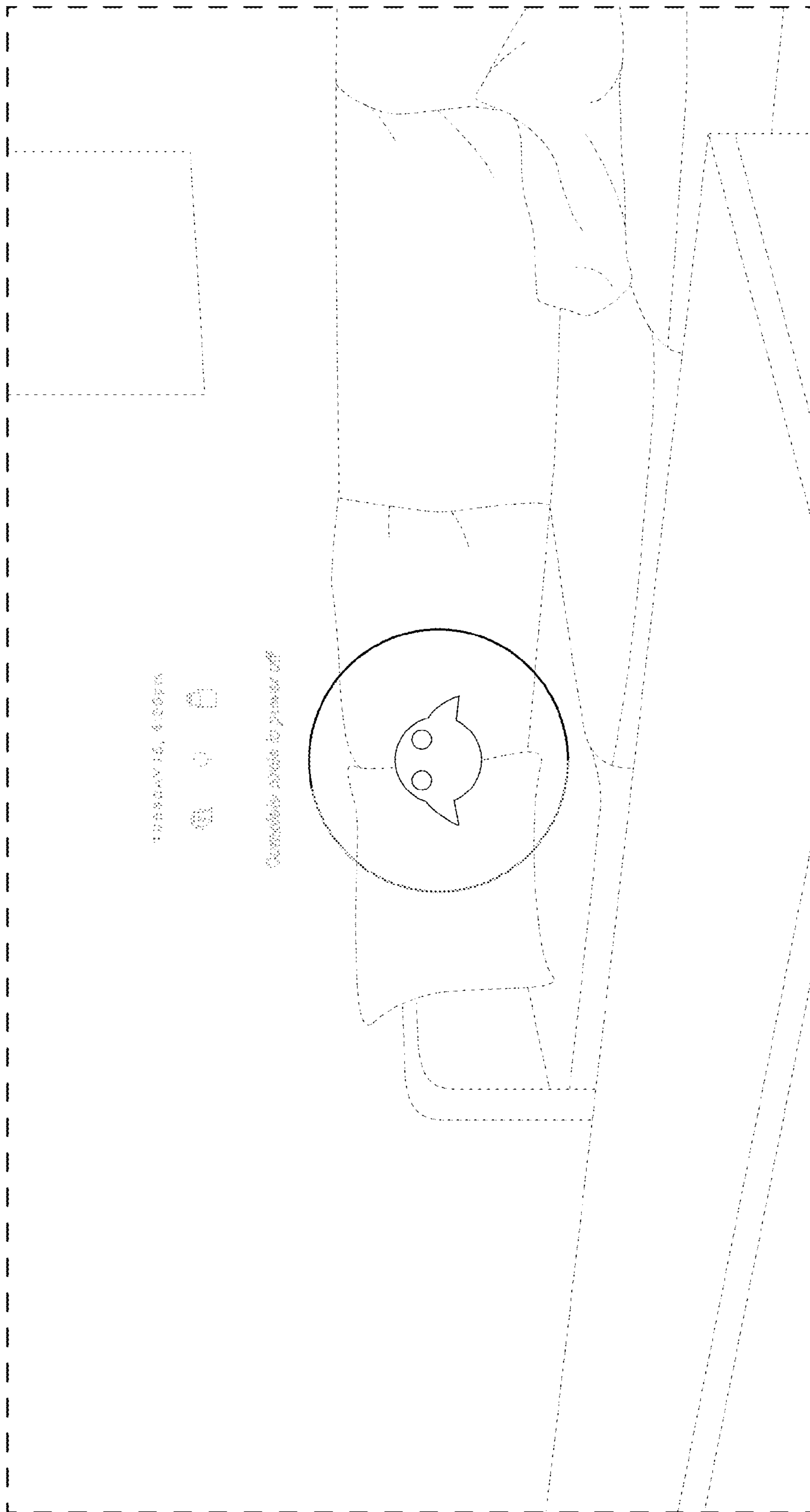


FIG. 2

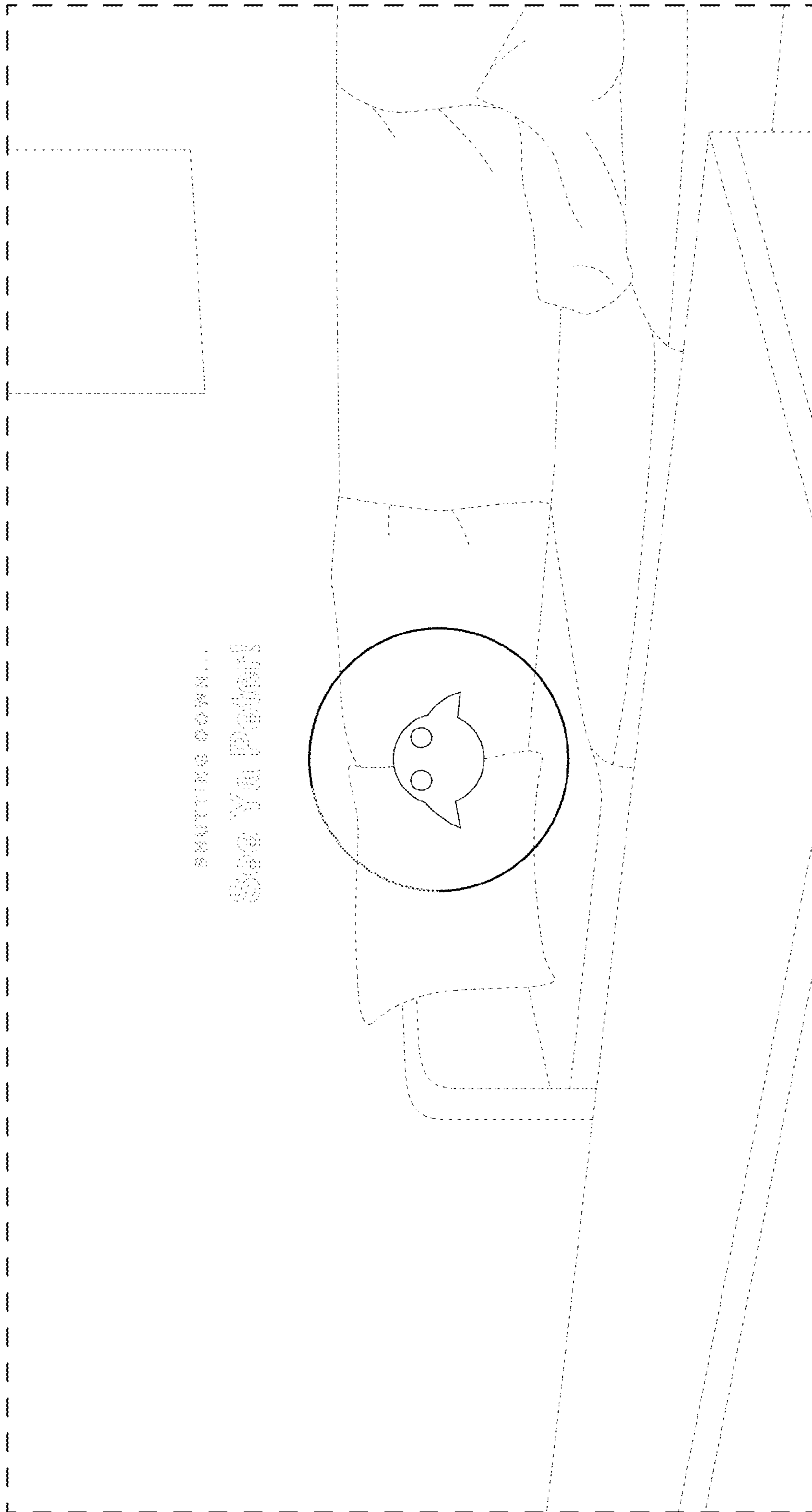


FIG. 3

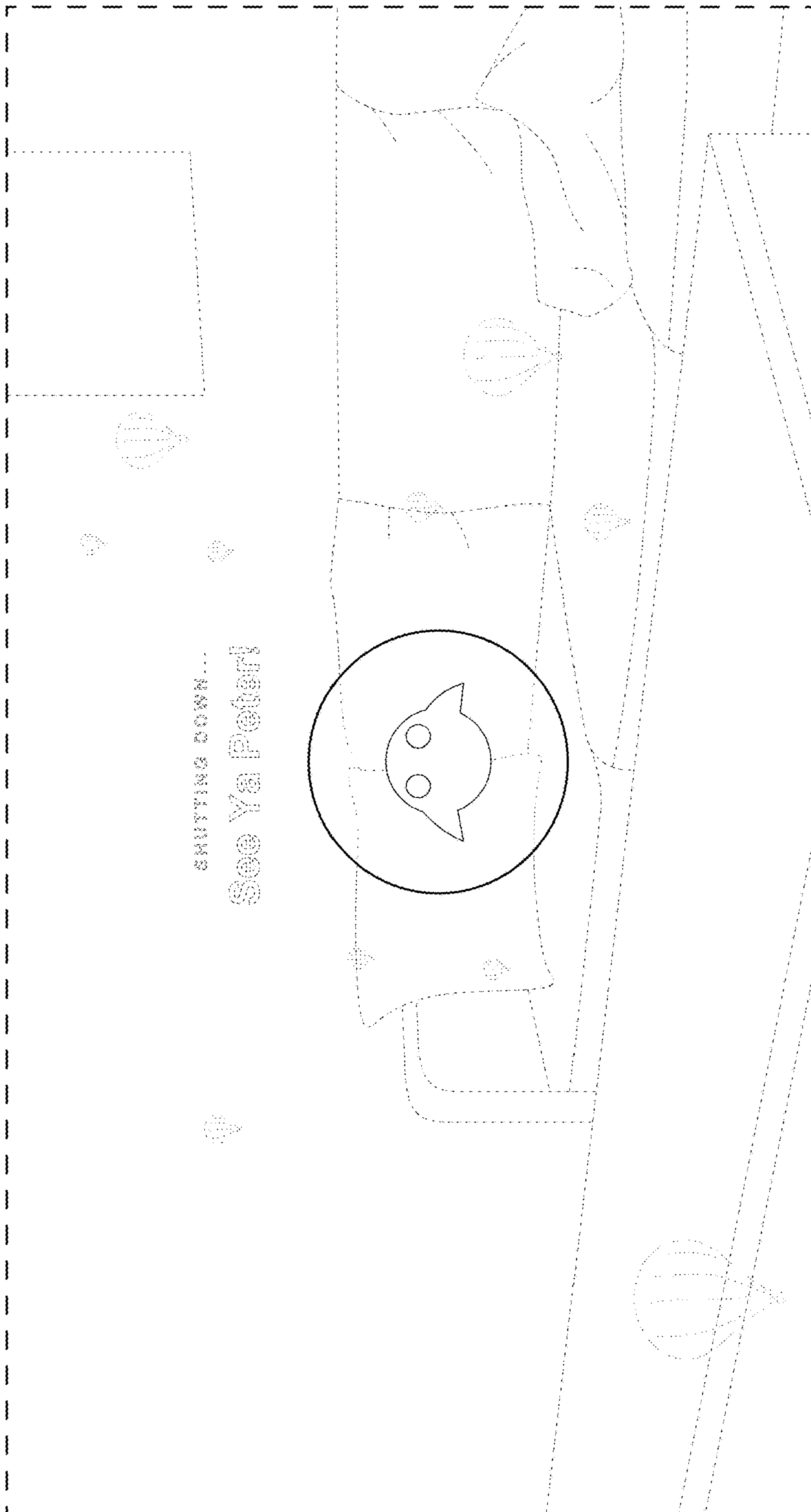


FIG. 4