



US00D875106S

(12) **United States Design Patent** (10) **Patent No.:** **US D875,106 S**
Winton et al. (45) **Date of Patent:** **** Feb. 11, 2020**

(54) **DISPLAY SCREEN OR A PORTION THEREOF WITH A GRAPHICAL USER INTERFACE**

8,959,457 B2 * 2/2015 Reed G06F 3/0481
715/763
D736,780 S * 8/2015 Wang D14/485
D751,606 S * 3/2016 Yu G06F 3/04817
D14/494
D758,422 S * 6/2016 Zhao G06F 3/04817
D14/488
D763,869 S * 8/2016 Wang D14/485
D765,695 S * 9/2016 Leabman D14/486
D766,289 S * 9/2016 Bauer D14/486

(71) Applicant: **Harman International Industries, Incorporated**, Northridge, CA (US)
(72) Inventors: **Riley Winton**, Canton, MI (US); **Chris Ludwig**, Birmingham, MI (US); **Aleksei Mikhailov**, San Jose, CA (US); **Ilya Kiselev**, San Jose, CA (US); **Jonathan Carpenter**, San Jose, CA (US)

(Continued)

(73) Assignee: **Harman International Industries, Incorporated**, Northridge, CA (US)

OTHER PUBLICATIONS

Random Concentric Circles with Dots, by vectorshot, canstockphoto.com [online], published on Sep. 16, 2016, [retrieved on Apr. 22, 2019], retrieved from the Internet <URL: https://www.canstockphoto.com/random-concentric-circles-with-dots-39891469.html> (Year: 2016).*

(**) Term: **15 Years**

(Continued)

(21) Appl. No.: **29/589,037**

Primary Examiner — Cathron C Brooks

(22) Filed: **Dec. 27, 2016**

Assistant Examiner — Ian F Whitmore

(51) **LOC (12) Cl.** **14-04**

(74) *Attorney, Agent, or Firm* — Gordon & Rees LLP

(52) **U.S. Cl.**
USPC **D14/485**

(57) **CLAIM**

(58) **Field of Classification Search**
USPC D14/485–495; D20/10, 11, 22–33, 39, D20/40
CPC G06F 3/048–04897; G06F 1/1692; G06F 3/16; G06F 3/165; G06F 3/167; H04M 1/72558; H04L 12/581; H04L 12/1813; H04L 29/06421
See application file for complete search history.

The ornamental design for a display screen or portion thereof with a graphical user interface, as shown and described.

DESCRIPTION

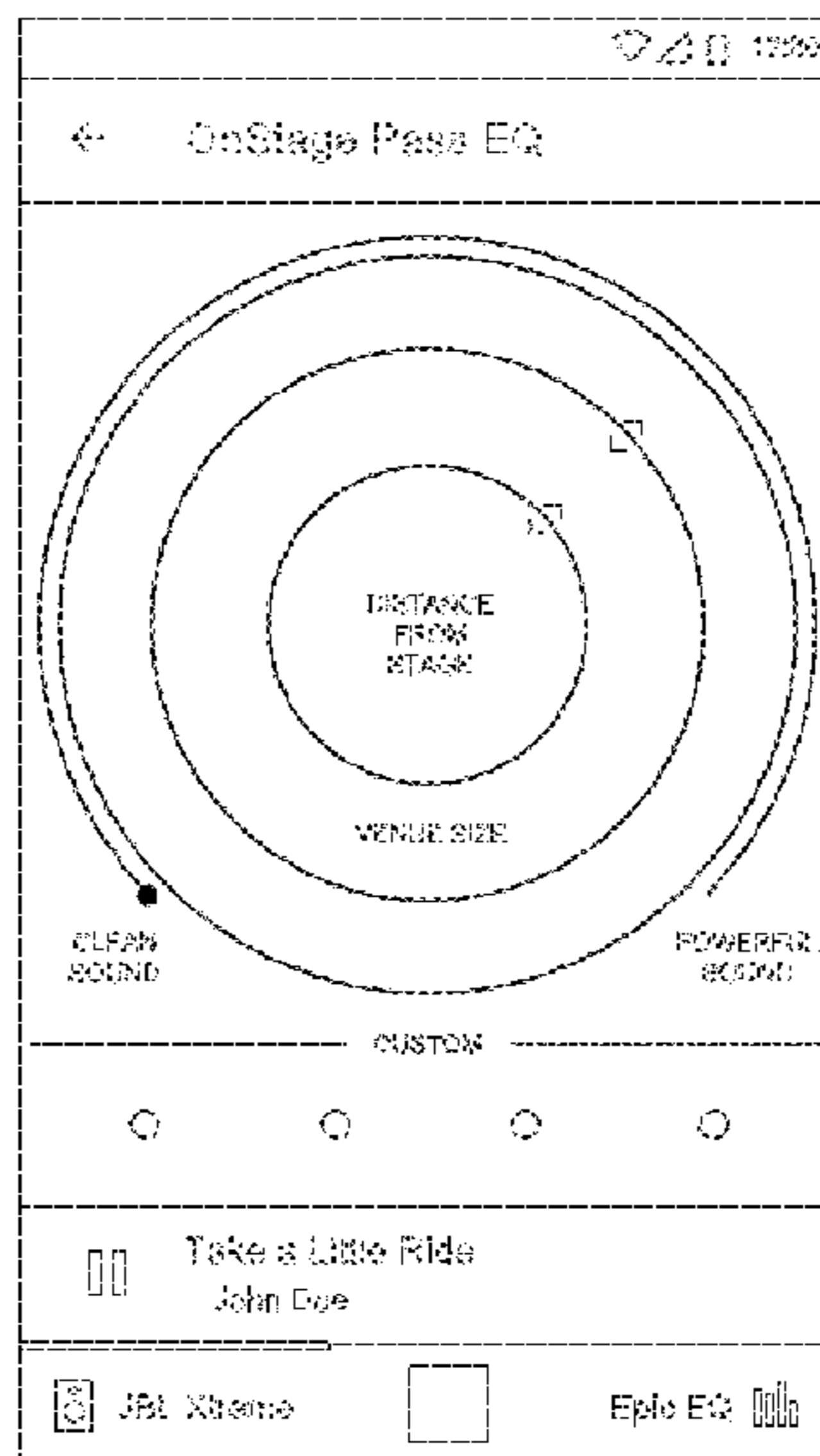
FIG. 1 is a front view of a display screen or portion thereof with a graphical user interface showing the new design; FIG. 2 is a front view of a second embodiment thereof; and, FIG. 3 is a front view of a third embodiment thereof. The outermost broken-line perimeter illustrates a display screen or portion thereof and forms no part the claimed design. The remaining broken lines illustrate portions of a graphical user interface and form no part of the claimed design.

(56) **References Cited**

U.S. PATENT DOCUMENTS

D335,686 S * 5/1993 Christian D19/34
D699,251 S * 2/2014 Rao D14/486
D700,198 S * 2/2014 Akcasu D14/486
D716,326 S * 10/2014 Lee D14/486

1 Claim, 2 Drawing Sheets



(56)

References Cited

U.S. PATENT DOCUMENTS

D766,917 S * 9/2016 Kwon D14/485
 D771,098 S * 11/2016 Leabman D14/486
 D783,652 S * 4/2017 Guan D14/486
 D789,385 S * 6/2017 Butcher D14/485
 D791,160 S * 7/2017 Jang D14/486
 D795,886 S * 8/2017 Ng D14/485
 D803,233 S * 11/2017 Wilberding D14/485
 D822,705 S * 7/2018 Antihi D14/486
 D829,739 S * 10/2018 Lavin, Jr. D14/486
 D831,067 S * 10/2018 Ekstrand D14/489
 D846,572 S * 4/2019 Ekstrand D14/485
 D847,854 S * 5/2019 Christian D14/488
 D850,482 S * 6/2019 Amini D14/486
 D852,820 S * 7/2019 Sanchez D14/485
 D855,646 S * 8/2019 Hohne D14/487
 D855,648 S * 8/2019 Fuller D14/488
 D856,361 S * 8/2019 Sella D14/486
 D856,369 S * 8/2019 Naimark D14/488
 2009/0228820 A1 * 9/2009 Kim G06F 3/04817
 715/769
 2016/0026423 A1 * 1/2016 Zenoff G06F 3/1407
 345/156

2016/0034167 A1 * 2/2016 Wilson G06F 3/04845
 715/771
 2017/0185278 A1 * 6/2017 Sundermeyer G06F 3/04847
 2018/0136612 A1 * 5/2018 Zayets-Volshin
 H04M 1/72522
 2018/0181365 A1 * 6/2018 Winton G06F 3/04847

OTHER PUBLICATIONS

Nuo Game, by Xin, YouTube [online], published on Jul. 10, 2015, [retrieved on Apr. 22, 2019], retrieved from the Internet <URL: <https://www.youtube.com/watch?v=noukWUeJUmq&feature=youtu.be>> (Year: 2015).*

Fendi Ninety Years, by Fortuna, dribbble.com [online], published on Oct. 24, 2016, [retrieved on Apr. 22, 2019], retrieved from the Internet <URL: <https://dribbble.com/shots/3045392-Fendi-90-Years>> (Year: 2016).*

Patterning in Depth, by Olympia Noise Co., YouTube [online], published on Sep. 18, 2015, [retrieved on Apr. 22, 2019], retrieved from the Internet <URL: <https://www.youtube.com/watch?v=JeMTQYyvrWs>> (Year: 2015).*

* cited by examiner

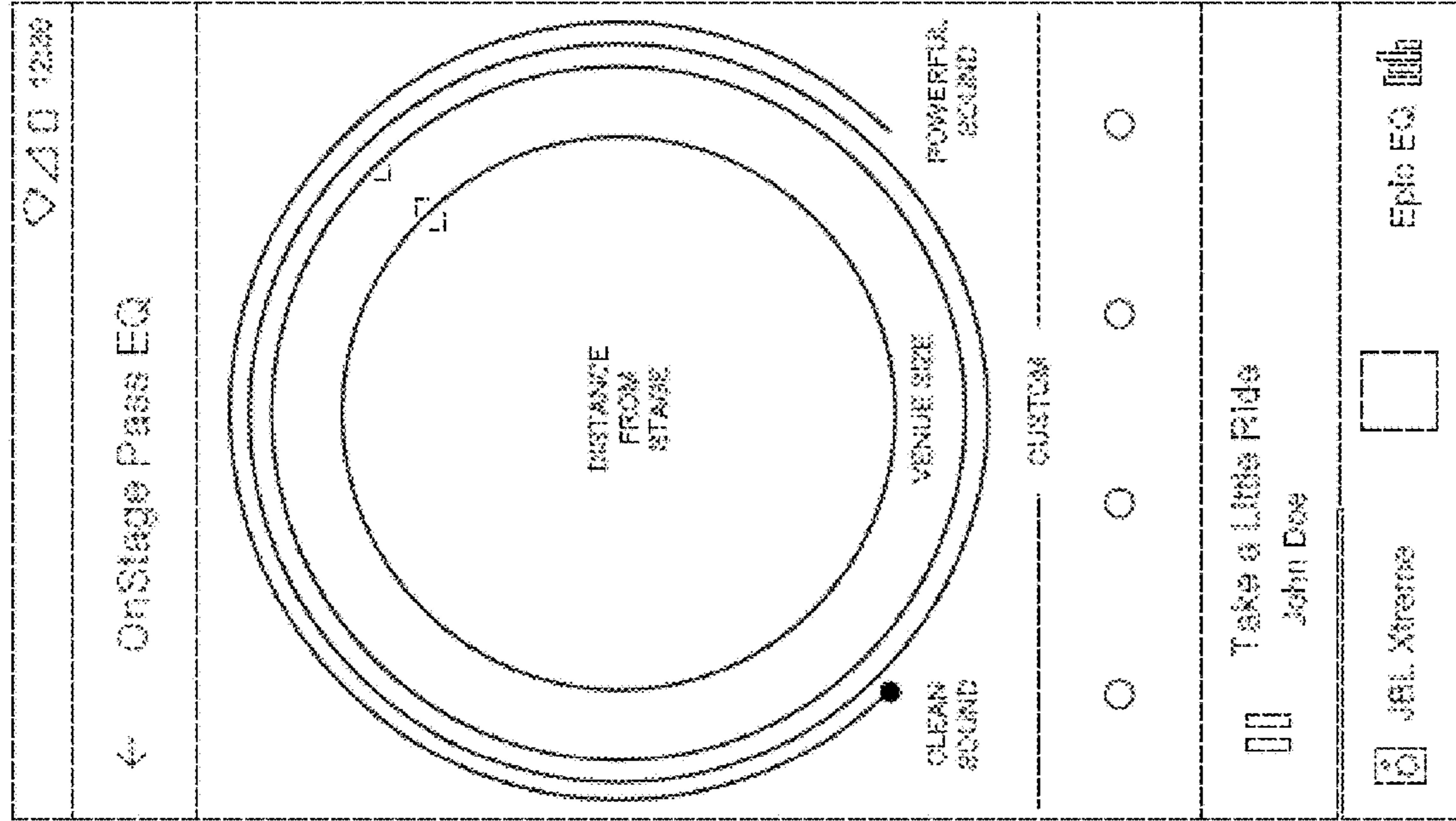


FIG. 1

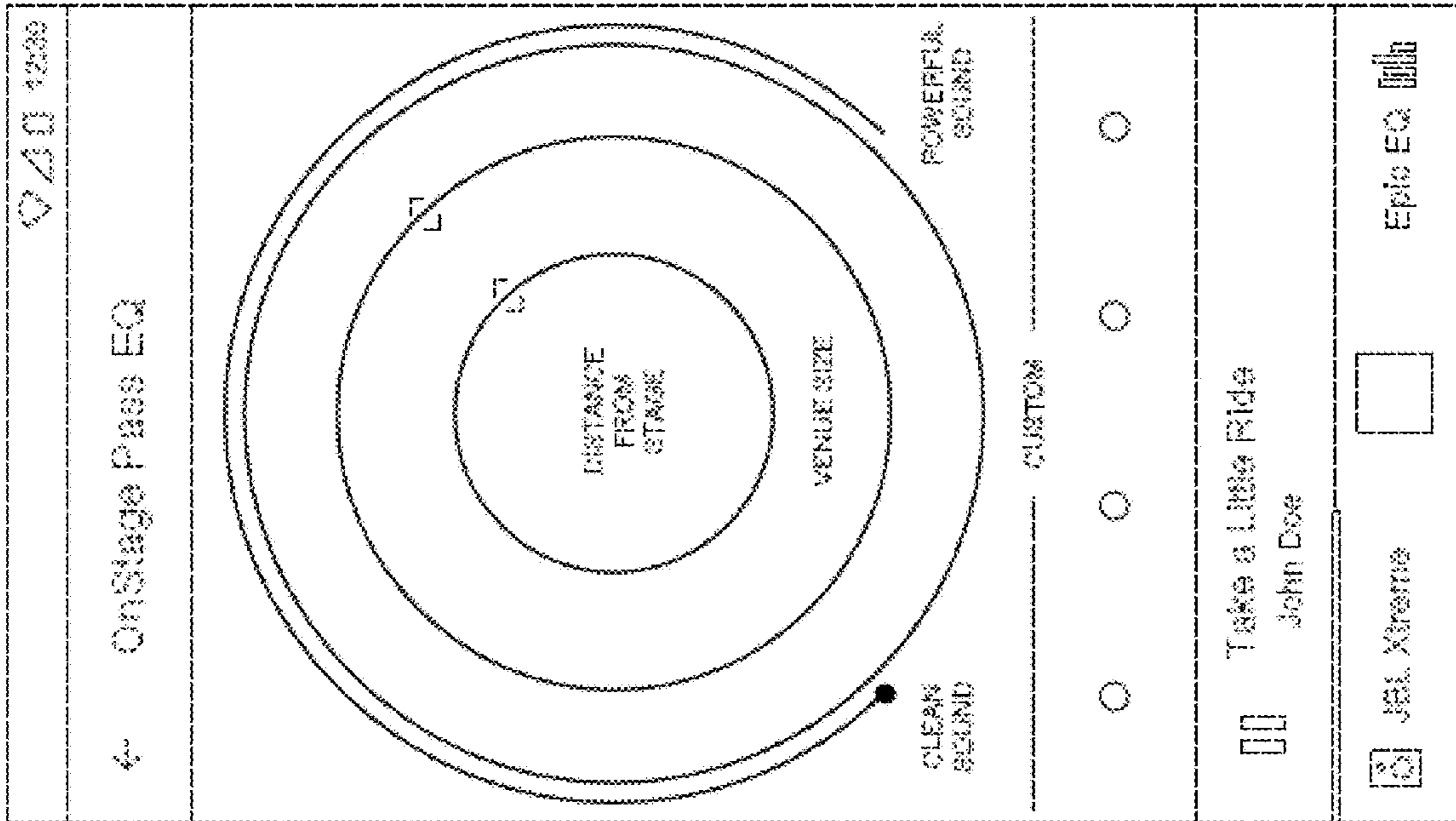


FIG. 2

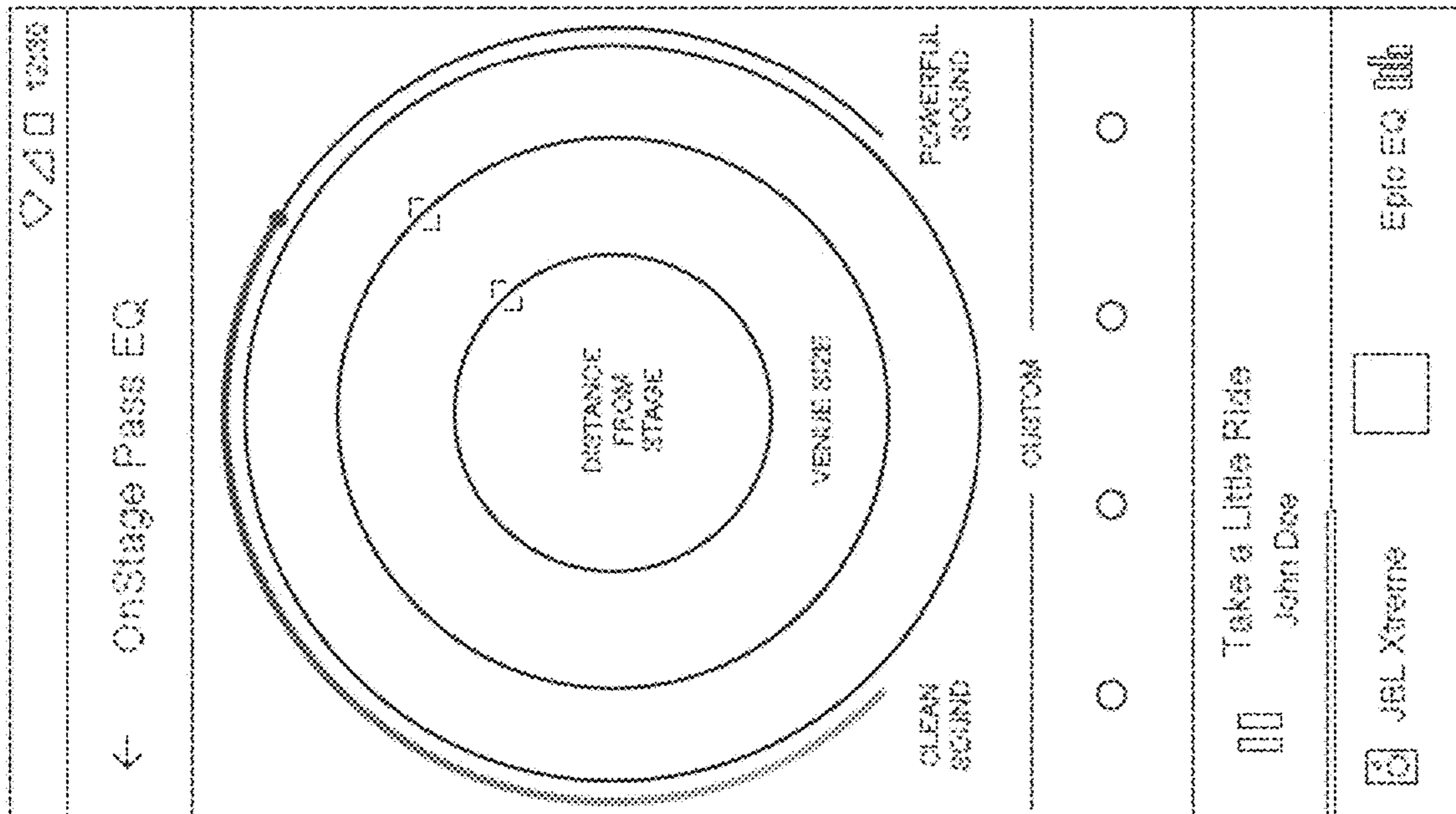


FIG. 3