



US00D875105S

(12) **United States Design Patent**
Xiang et al.

(10) **Patent No.:** **US D875,105 S**

(45) **Date of Patent:** **** Feb. 11, 2020**

(54) **MOUNTING ARM FOR DISPLAY STAND**

(71) Applicant: **Loctek Inc.**, Livermore, CA (US)

(72) Inventors: **Lehong Xiang**, Ningbo (CN); **Qiang Chen**, Ningbo (CN)

(73) Assignee: **Loctek Inc.**, Livermore, CA (US)

(**) Term: **15 Years**

(21) Appl. No.: **29/606,170**

(22) Filed: **Jun. 2, 2017**

(30) **Foreign Application Priority Data**

Mar. 24, 2017 (CN) 2017 3 0090988

(51) **LOC (12) Cl.** **14-02**

(52) **U.S. Cl.**
USPC **D14/452**

(58) **Field of Classification Search**
USPC D14/447-452, 336, 341, 371, 373, 374,
D14/375, 376, 377, 126, 127, 128, 129
CPC F16M 11/105; F16M 11/10; F16M 11/048;
F16M 11/12; F16M 13/022
See application file for complete search history.

(56) **References Cited**

U.S. PATENT DOCUMENTS

D544,489 S * 6/2007 Oddsen, Jr. D14/452
D631,052 S * 1/2011 Hung D14/452
D654,503 S * 2/2012 Sapper D14/452
9,027,894 B2 * 5/2015 Sapper F16M 11/08
248/274.1
D741,869 S * 10/2015 Xiang D14/452
D745,873 S * 12/2015 Xiang D14/452
D747,179 S * 1/2016 Xiang D8/363

(Continued)

FOREIGN PATENT DOCUMENTS

CN 304197758 * 7/2017
CN 304476238 * 1/2018

OTHER PUBLICATIONS

Amazon. Link: <https://www.amazon.com/Loctek-Monitor-Computer-Weighting-6-6-26-4/dp/B078JBWD9G>. Dec. 20, 2017. Loctek MA9 Monitor Arm. (Year: 2017).*

Primary Examiner — Susan Bennett Hattan

Assistant Examiner — Lauren D McVey

(74) *Attorney, Agent, or Firm* — W&K IP

(57) **CLAIM**

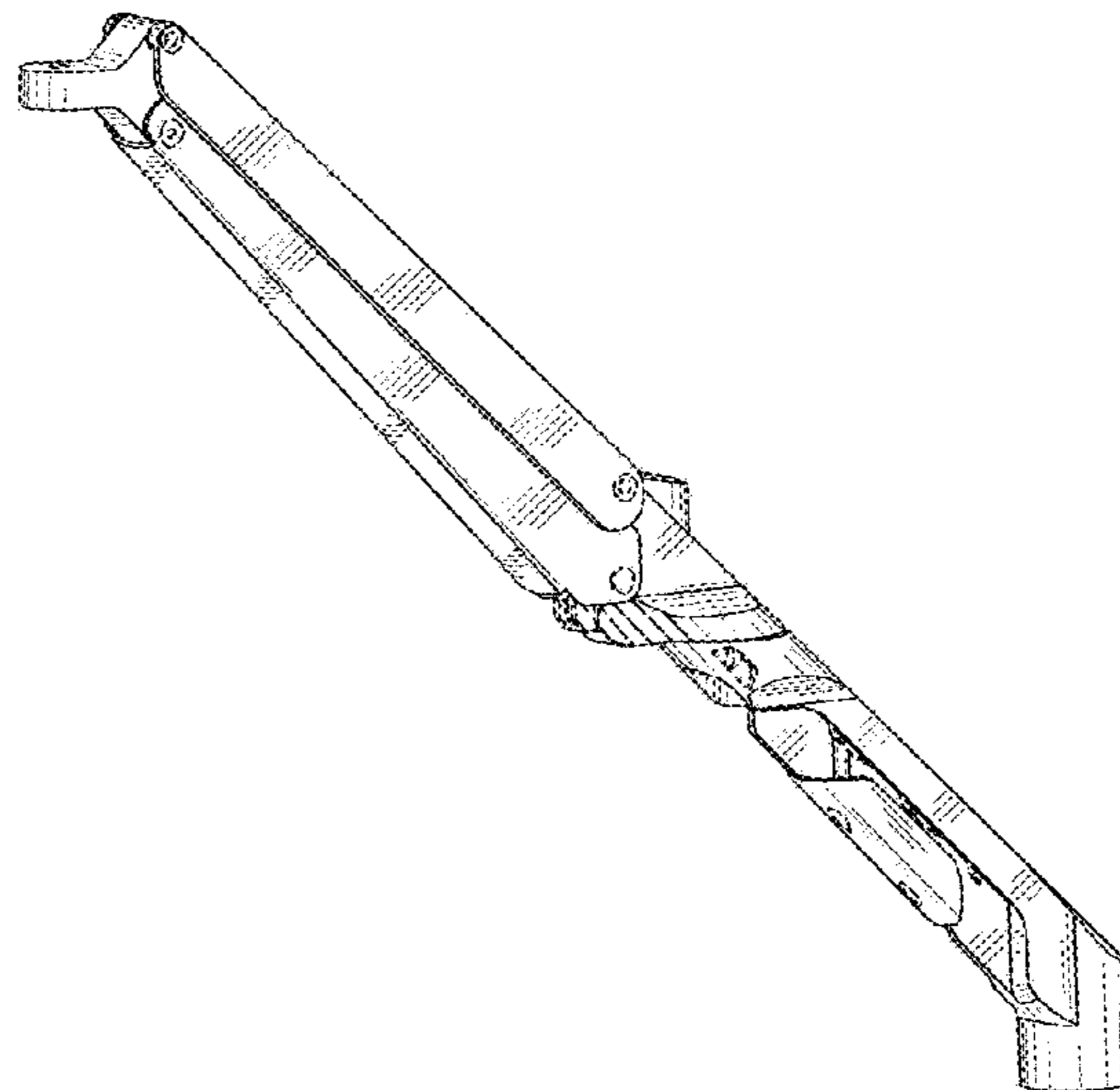
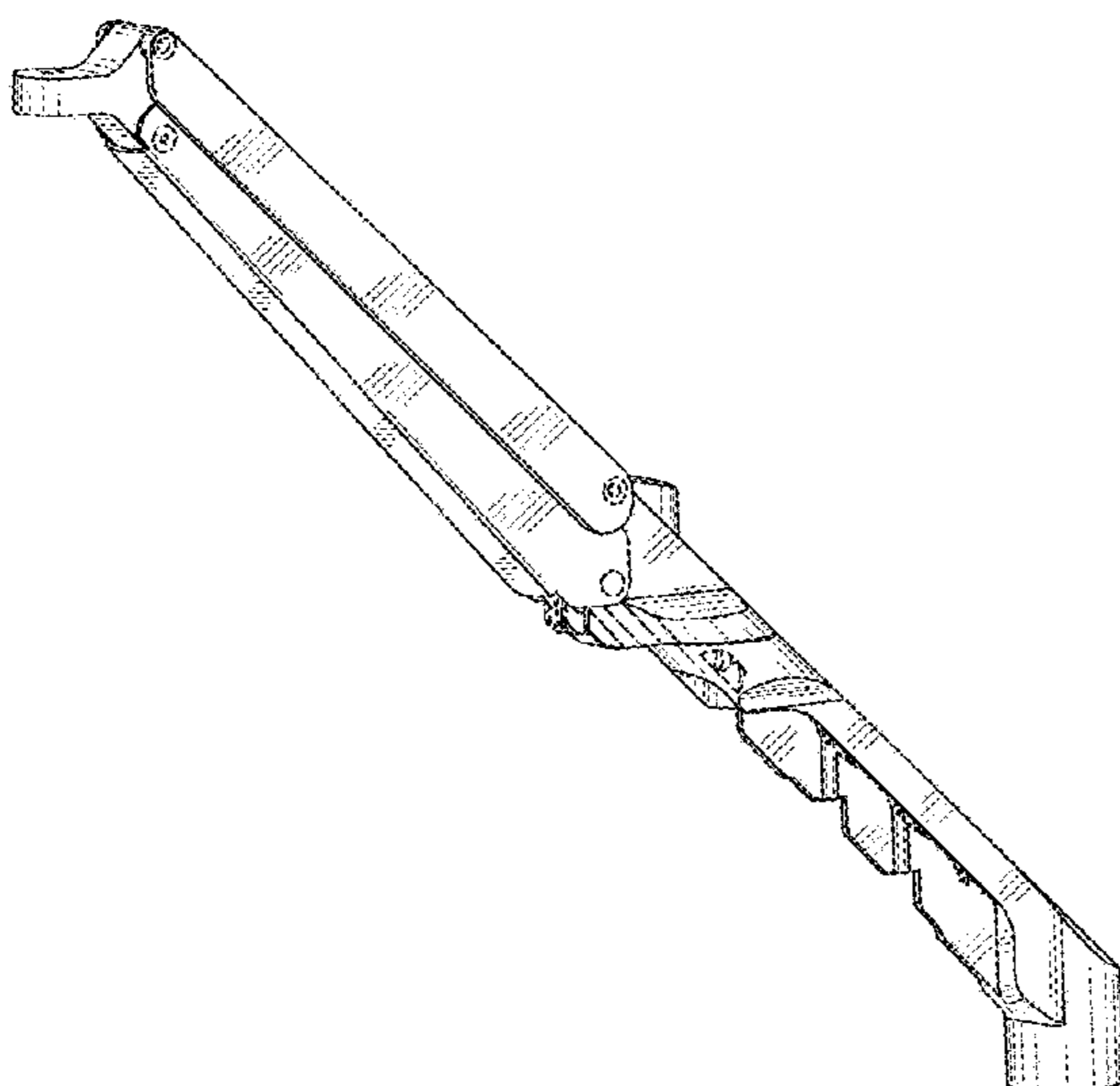
The ornamental design for mounting arm for display stand, as shown and described.

DESCRIPTION

FIG. 1 is a perspective view of a first embodiment of a mounting arm for display stand, showing my new design; FIG. 2 is a front view thereof; FIG. 3 is a rear view thereof; FIG. 4 is a left view thereof; FIG. 5 is a right view thereof; FIG. 6 is a top plan view thereof; FIG. 7 is a bottom plan view thereof; FIG. 8 is a perspective view of the first embodiment shown with additional environment; FIG. 9 is a perspective view of a second embodiment of a mounting arm for display stand, showing my new design; FIG. 10 is a front view thereof; FIG. 11 is a rear view thereof; FIG. 12 is a left view thereof; FIG. 13 is a right view thereof; FIG. 14 is a top plan view thereof; FIG. 15 is a bottom plan view thereof; and, FIG. 16 is a perspective view thereof with additional environment.

The broken lines immediately adjacent to the shaded areas depict the bounds of the claimed design, while all other broken lines are directed to environment. The broken lines form no part of the claimed design.

1 Claim, 16 Drawing Sheets



(56)

References Cited

U.S. PATENT DOCUMENTS

D758,375 S *	6/2016	Won	D14/451
D805,085 S *	12/2017	Xiang	D14/452
D815,643 S *	4/2018	Bowman	D14/452
D822,671 S *	7/2018	Chu	D14/452
2012/0267497 A1 *	10/2012	Bowman	F16M 11/10 248/280.11
2014/0367137 A1 *	12/2014	Leung	H02G 3/045 174/68.3

* cited by examiner

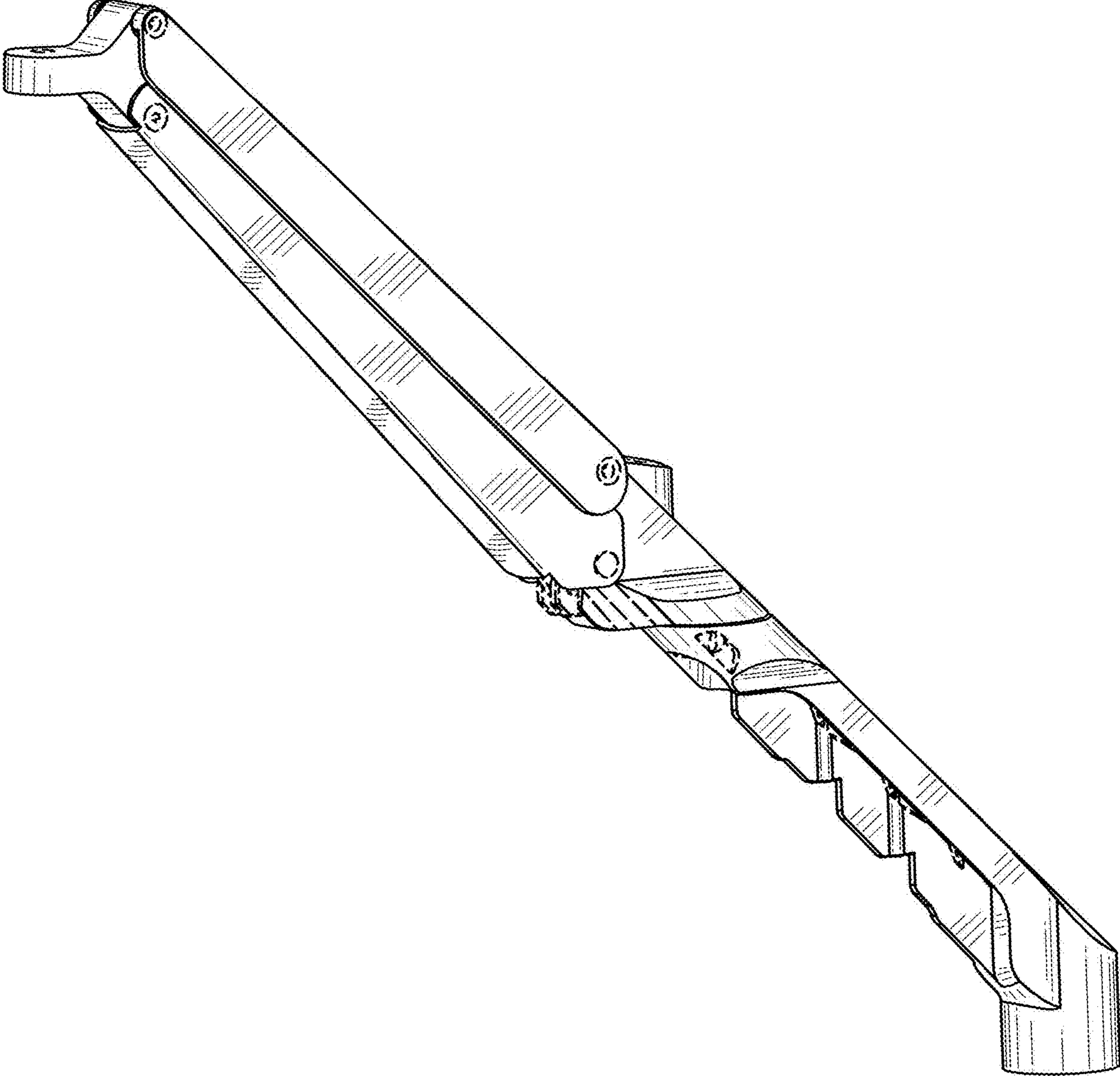


FIG. 1

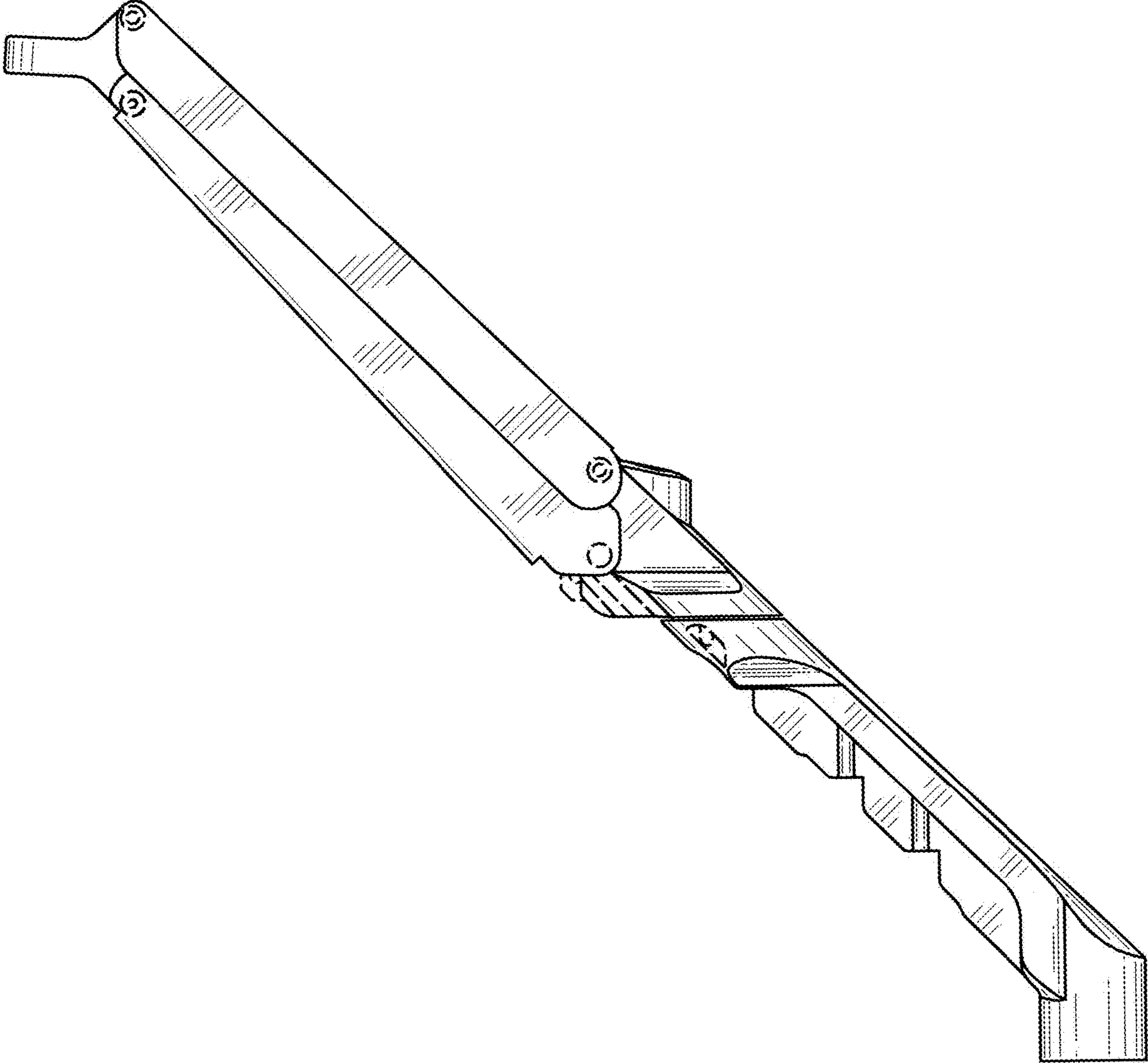


FIG. 2

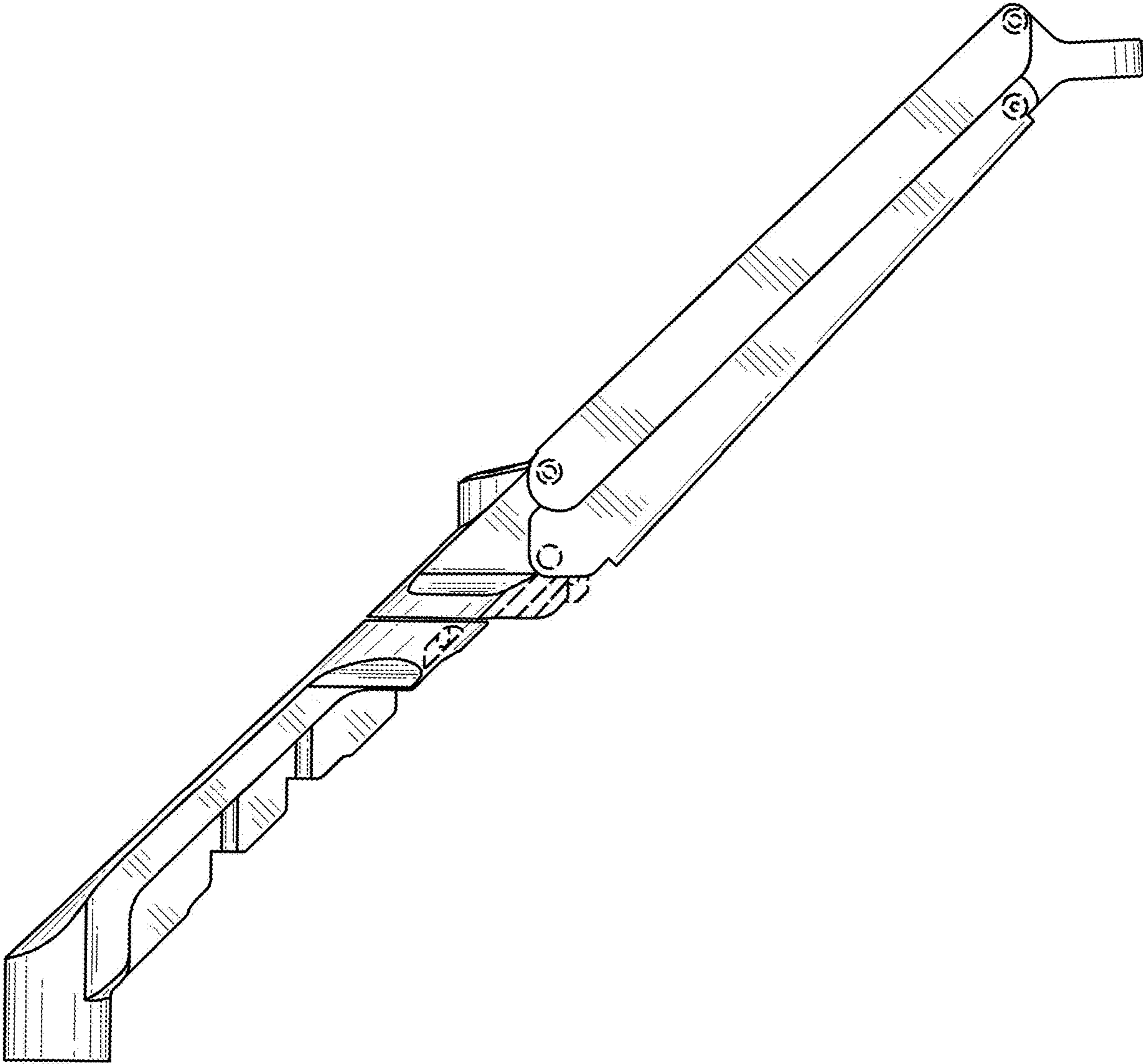


FIG. 3

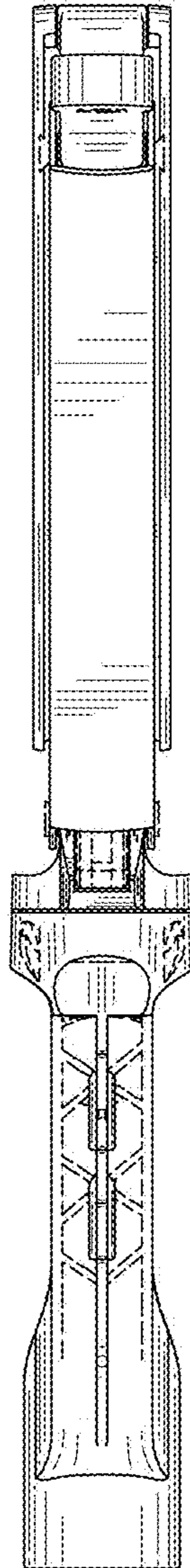


FIG. 4

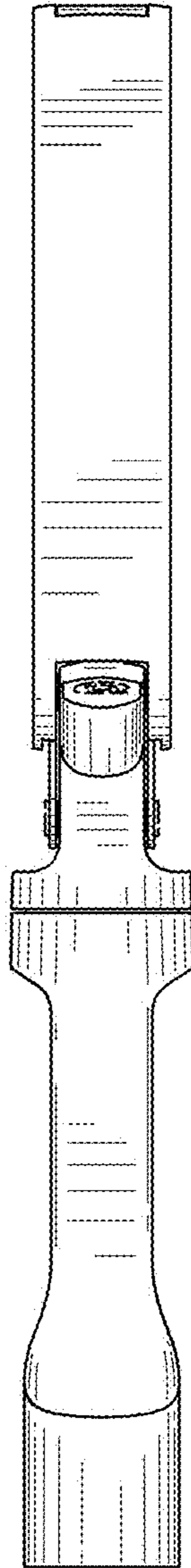


FIG. 5

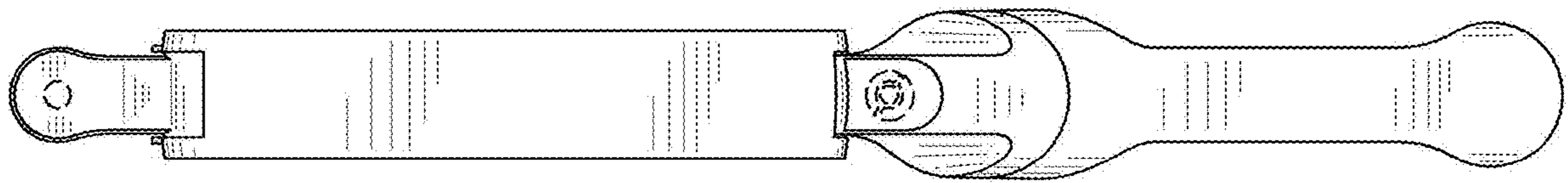


FIG. 6

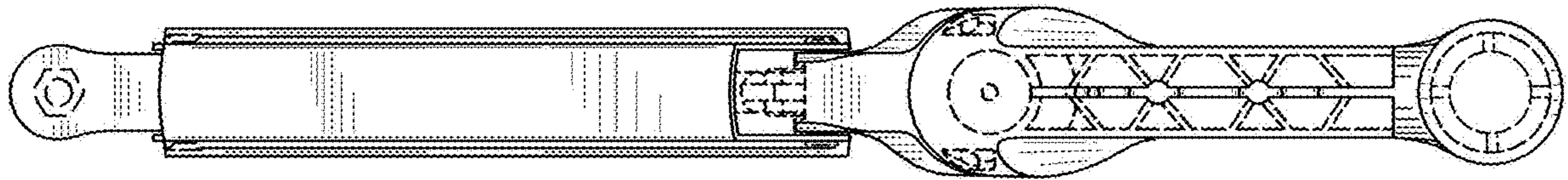


FIG. 7

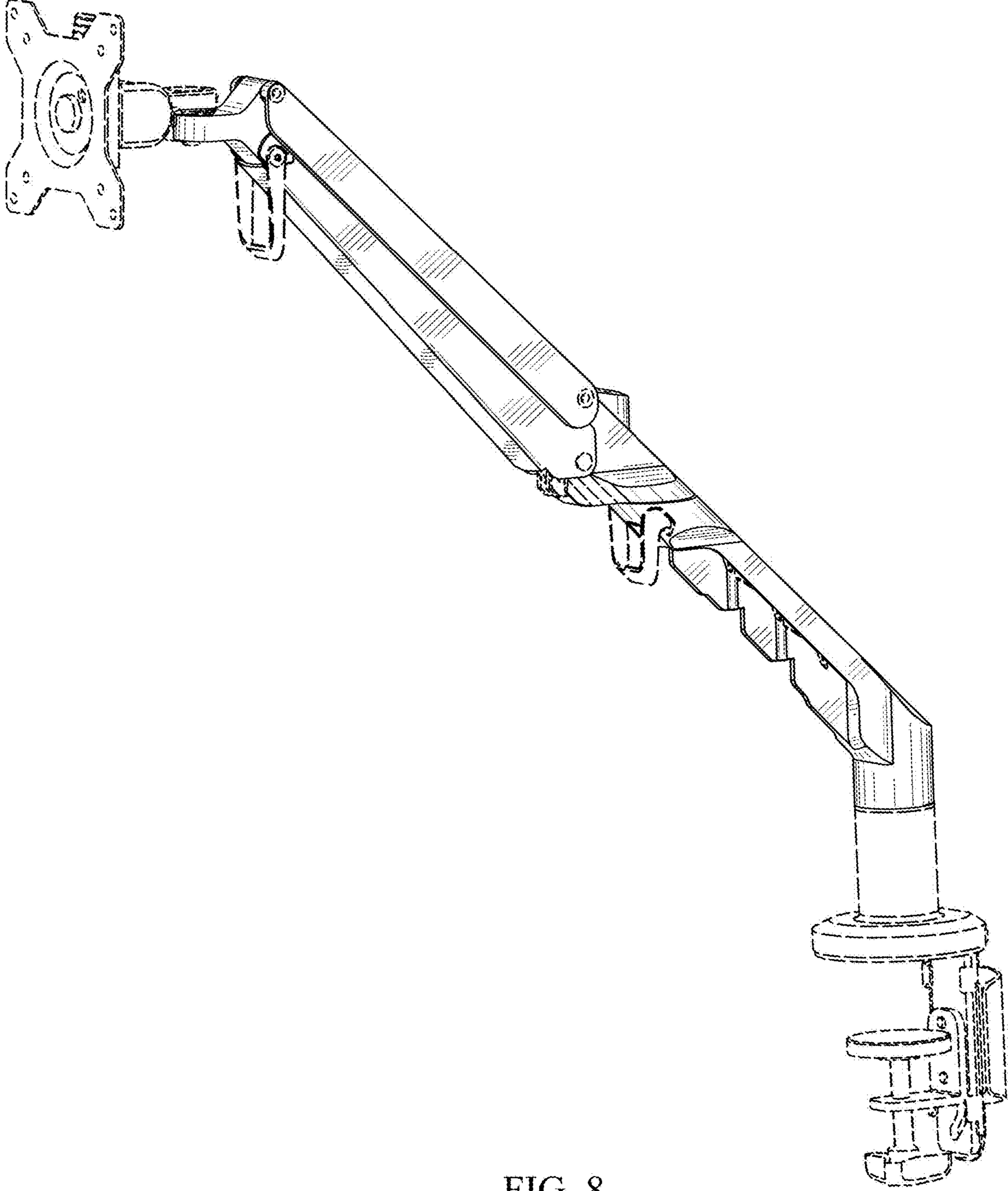


FIG. 8

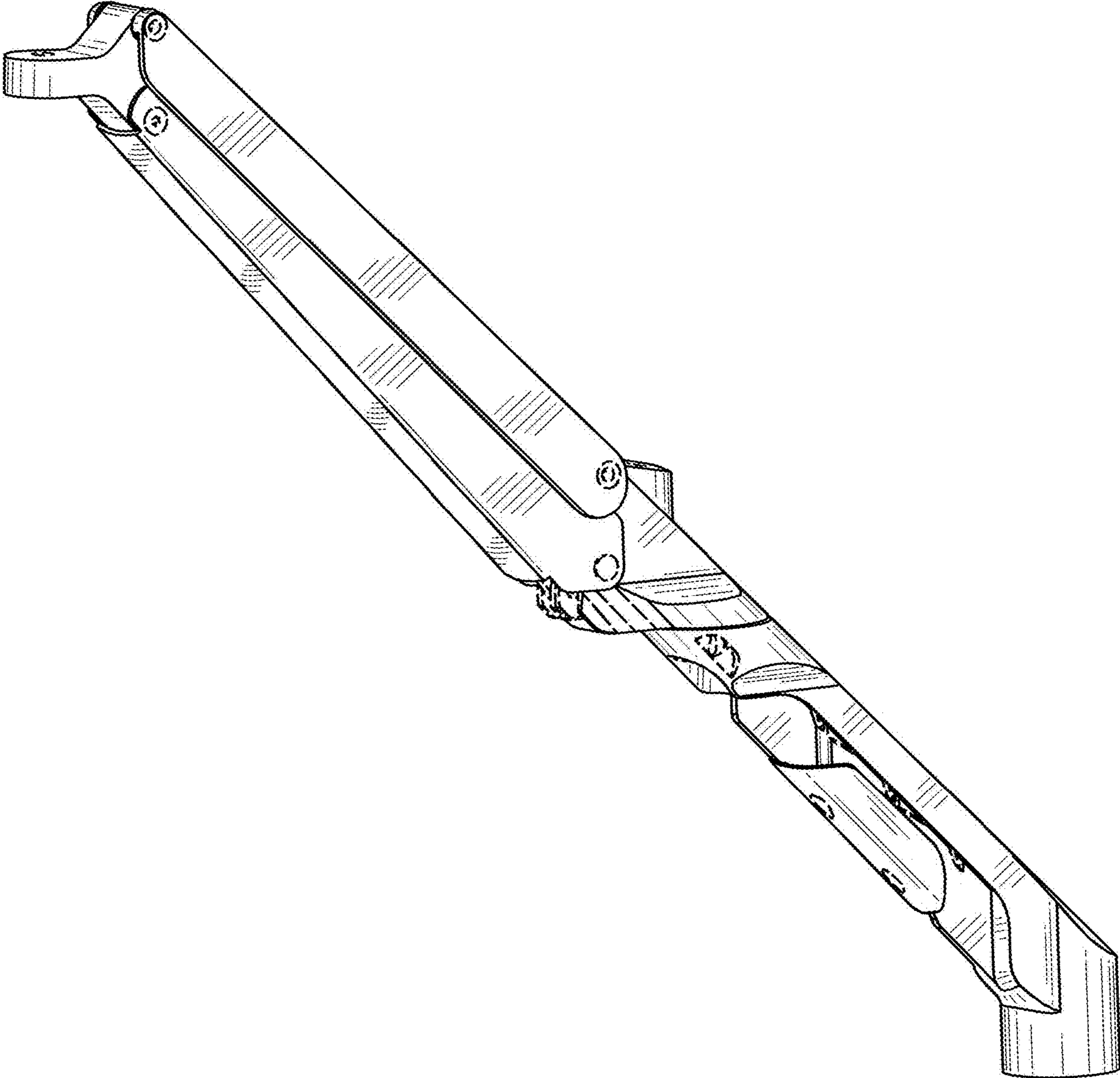


FIG. 9

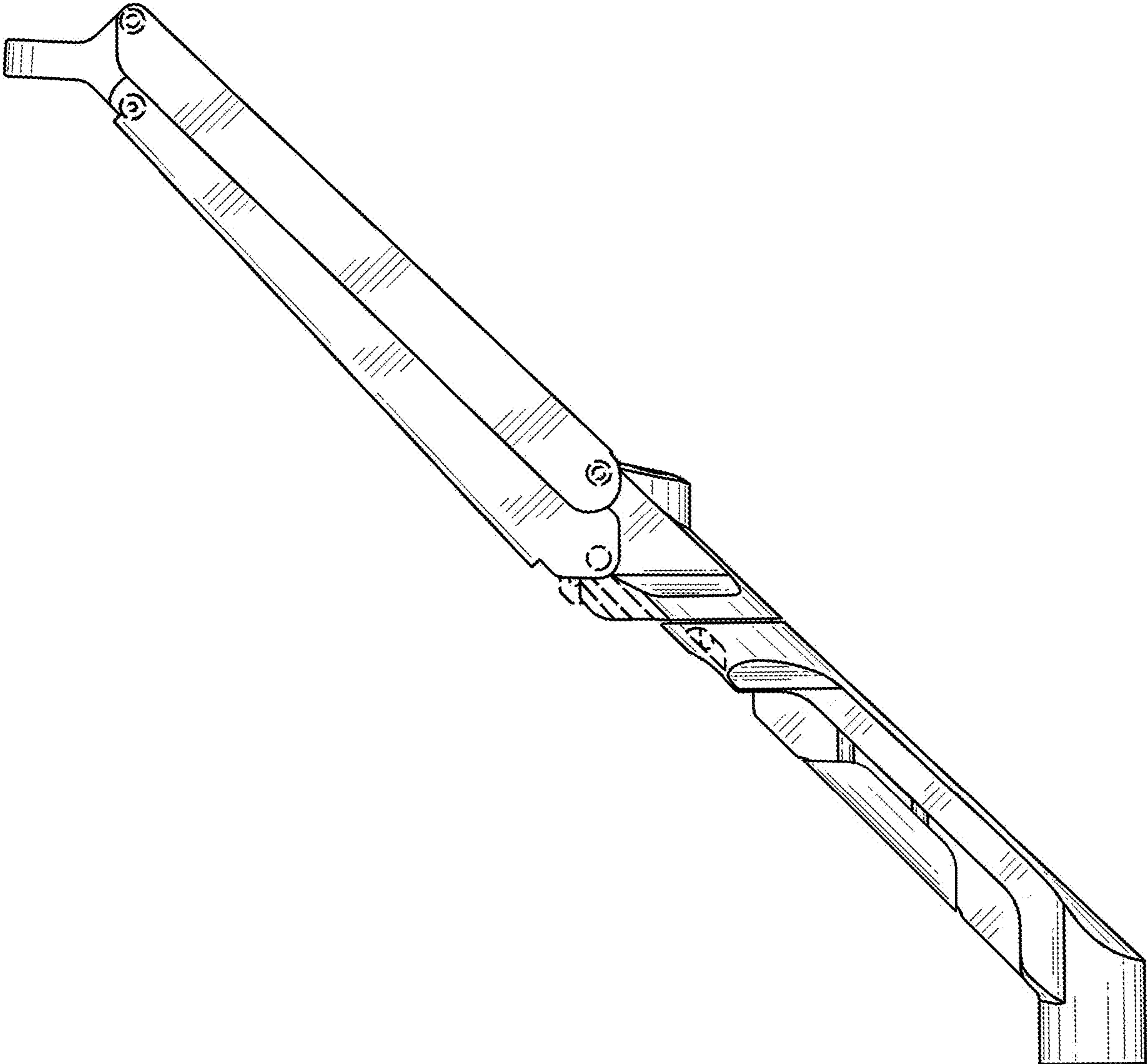


FIG. 10

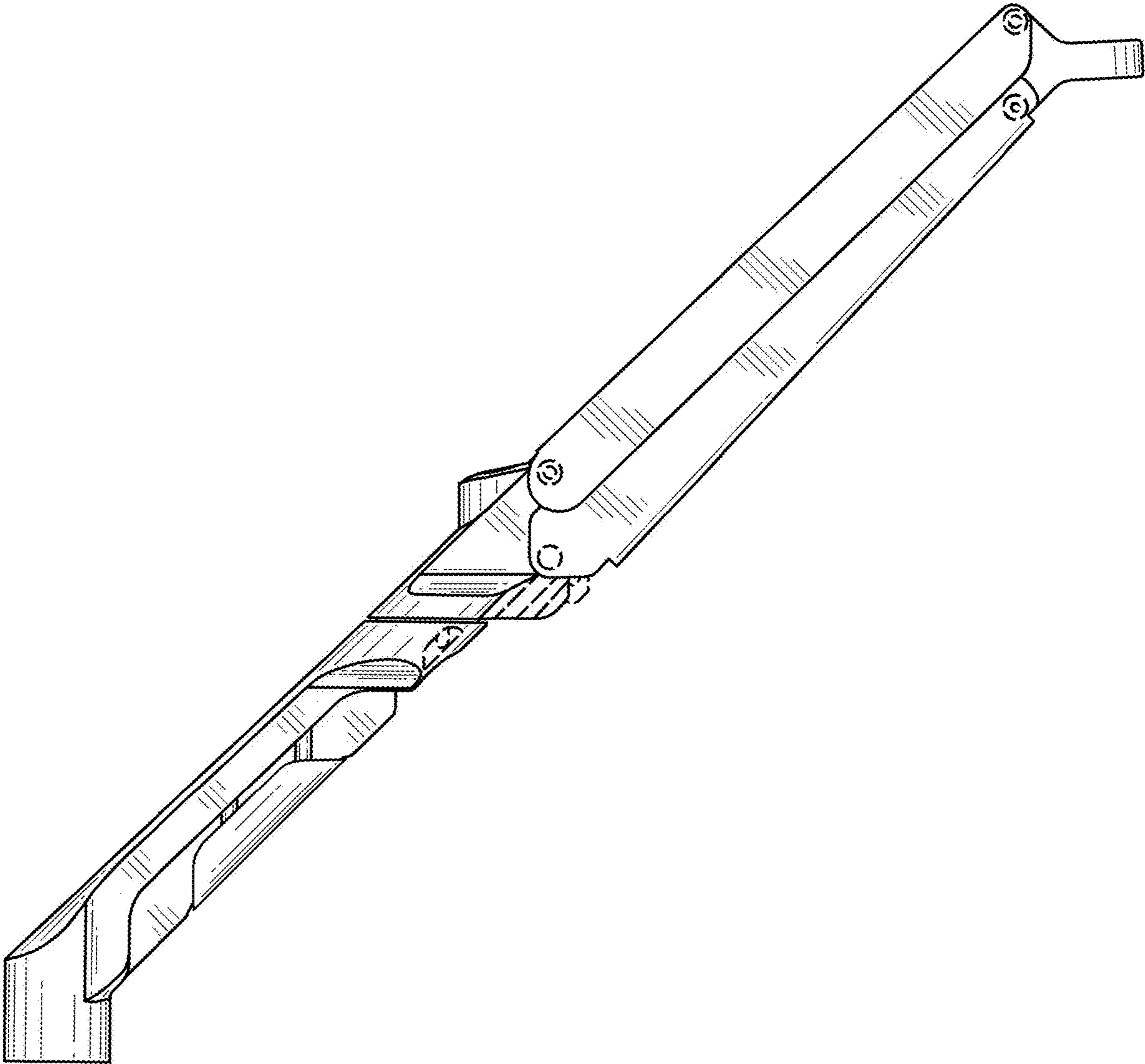


FIG. 11

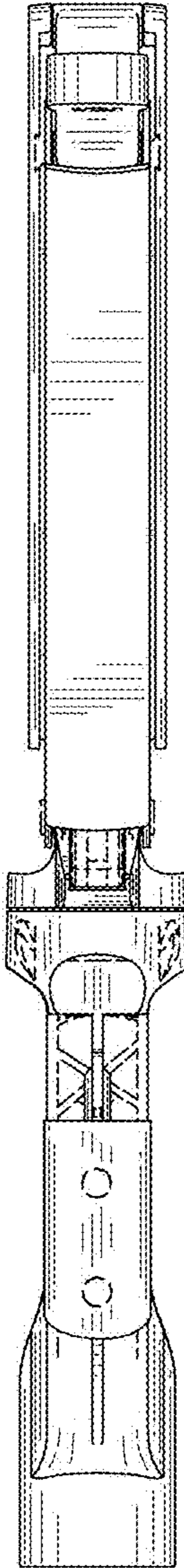


FIG. 12

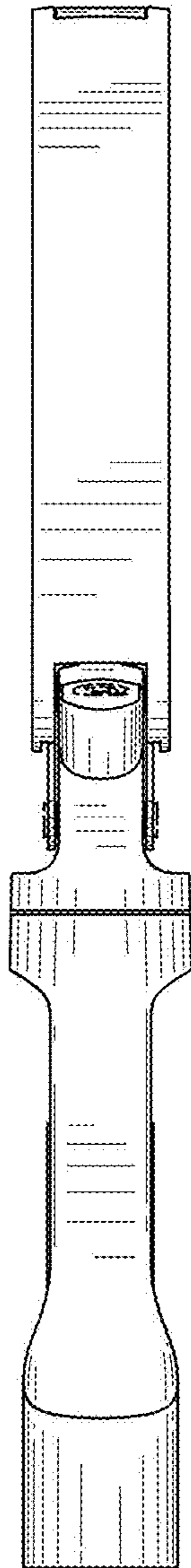


FIG. 13

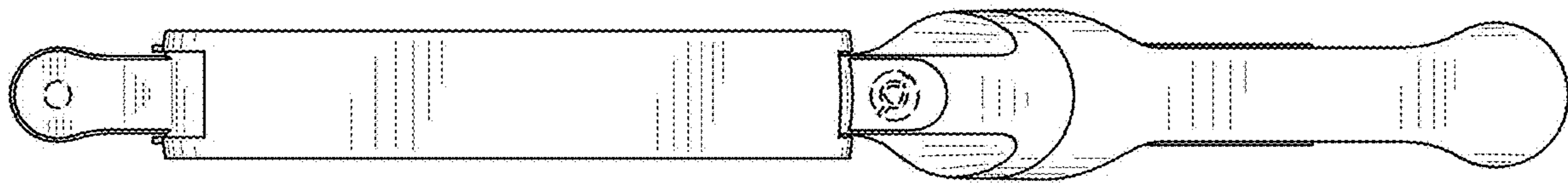


FIG. 14

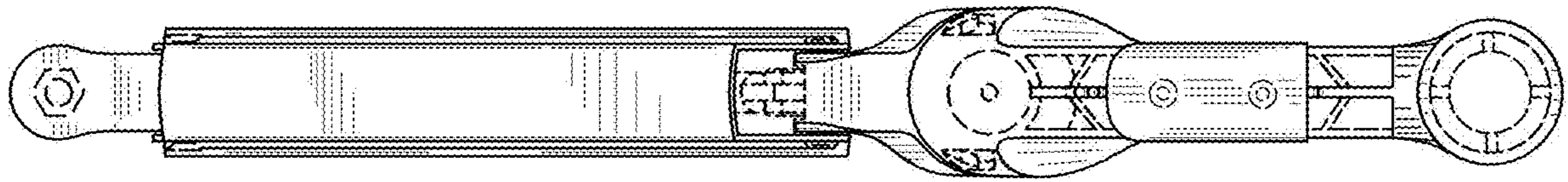


FIG. 15

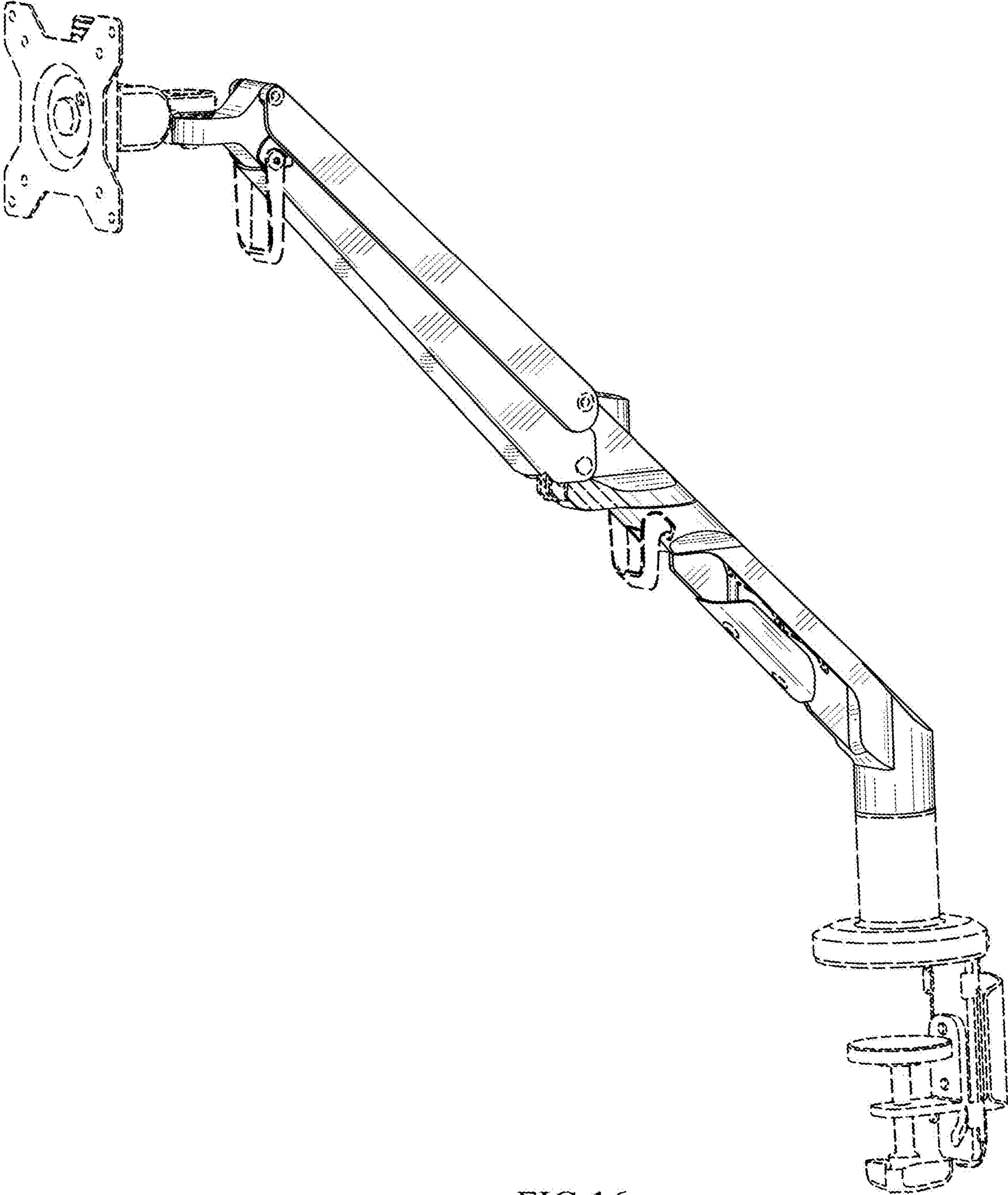


FIG.16