



US00D875104S

(12) **United States Design Patent** (10) **Patent No.:** **US D875,104 S**
Tivnon (45) **Date of Patent:** **** Feb. 11, 2020**

(54) **ELECTRONIC DEVICE WITH STAND**

(71) Applicant: **HEWLETT-PACKARD DEVELOPMENT COMPANY, L.P.**, Houston, TX (US)

(72) Inventor: **Matthew W. Tivnon**, Houston, TX (US)

(73) Assignee: **Hewlett-Packard Development Company, L.P.**, Spring, TX (US)

(**) Term: **15 Years**

(21) Appl. No.: **29/674,396**

(22) Filed: **Dec. 20, 2018**

(51) **LOC (12) Cl.** **08-07**

(52) **U.S. Cl.**
USPC **D14/447**

(58) **Field of Classification Search**
USPC D14/447, 432, 434, 439, 440, 451, 452, D14/457, 239, 253, 345; D8/363, 373, D8/380; D6/406.3, 406.4, 406.5, 406.6; D12/415; D13/108
CPC A47B 21/04; A47B 2097/006; A47B 2097/005; A47B 2023/049; A45C 2011/002; A45C 2011/003; F16M 2200/00; F16M 13/00

See application file for complete search history.

(56) **References Cited**

U.S. PATENT DOCUMENTS

D687,832 S *	8/2013	Edwards	D14/447
D705,234 S *	5/2014	Guran	D14/447
D707,685 S *	6/2014	Johnson	D14/447
D733,155 S *	6/2015	van Hooft	D14/447
D784,355 S *	4/2017	Hsu	D14/447
D798,874 S *	10/2017	Klabukov	D14/447

D822,657 S *	7/2018	Zeng	D14/345
D824,914 S *	8/2018	Okuley	D14/447
D824,915 S *	8/2018	Hsu	D14/447
D834,028 S *	11/2018	Wu	D14/447
D840,407 S *	2/2019	Hsu	D14/447
D845,307 S *	4/2019	Hallar	D14/447
D860,213 S *	9/2019	Sheng	D14/447

* cited by examiner

Primary Examiner — Angela J Lee

(74) *Attorney, Agent, or Firm* — Foley & Lardner LLP

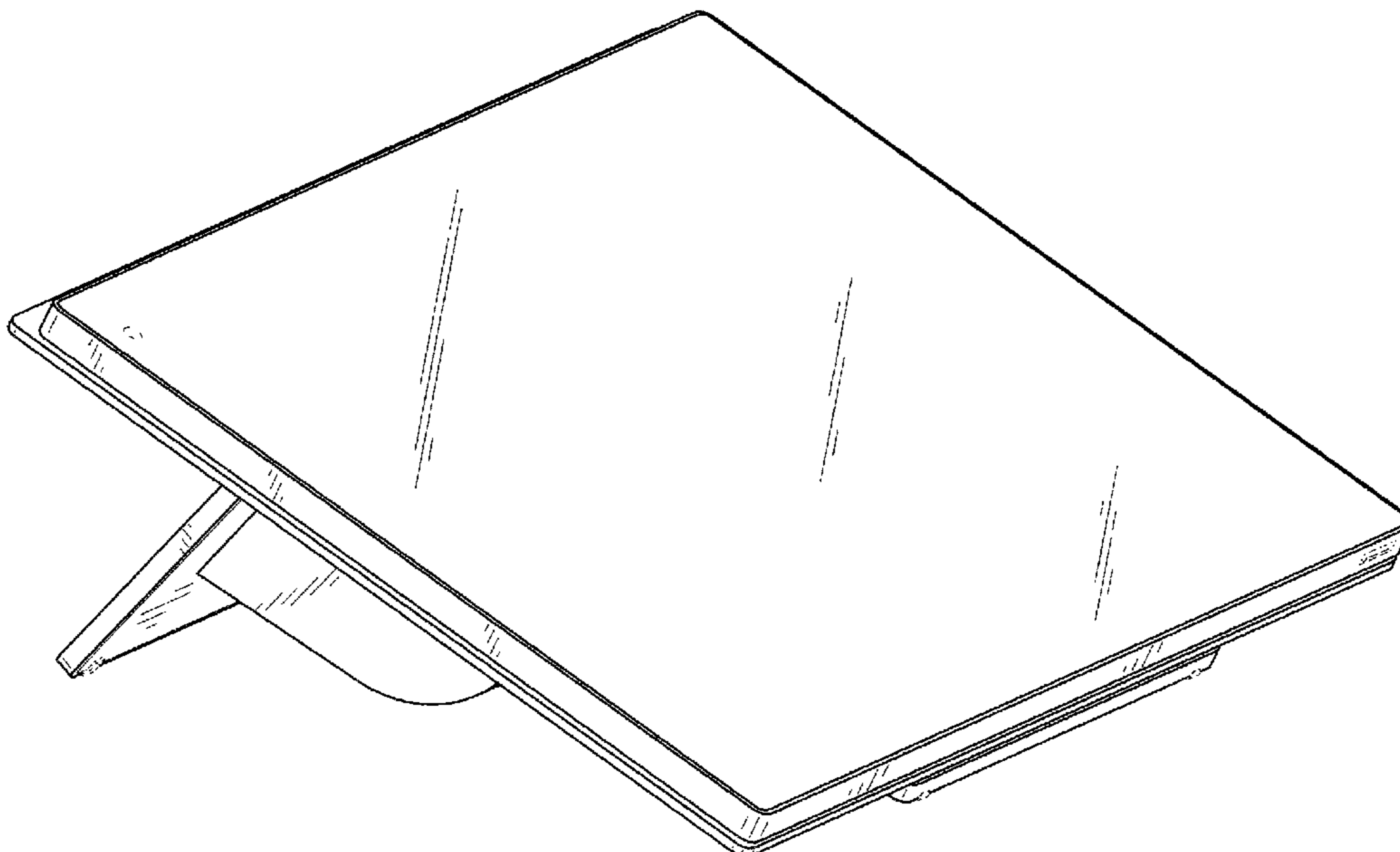
(57) **CLAIM**

I claim the ornamental design for an electronic device with stand, as shown and described.

DESCRIPTION

FIG. 1 is a top, front, left perspective view of an embodiment of the claimed design in a first configuration; FIG. 2 is a top, rear, left perspective view thereof; FIG. 3 is a front elevation view thereof; FIG. 4 is a rear elevation view thereof; FIG. 5 is a left side elevation view thereof; FIG. 6 is a right side elevation view thereof; FIG. 7 is a top plan view thereof; FIG. 8 is a bottom plan view thereof; FIG. 9 is a top, front, left perspective view thereof in a second configuration; FIG. 10 is a top, rear, left perspective view thereof; FIG. 11 is a front elevation view thereof; FIG. 12 is a rear elevation view thereof; FIG. 13 is a left side elevation view thereof; FIG. 14 is a right side elevation view thereof; FIG. 15 is a top plan view thereof; and, FIG. 16 is a bottom plan view thereof. The broken lines in the drawings are for illustrative purposes only and form no part of the claimed design.

1 Claim, 13 Drawing Sheets



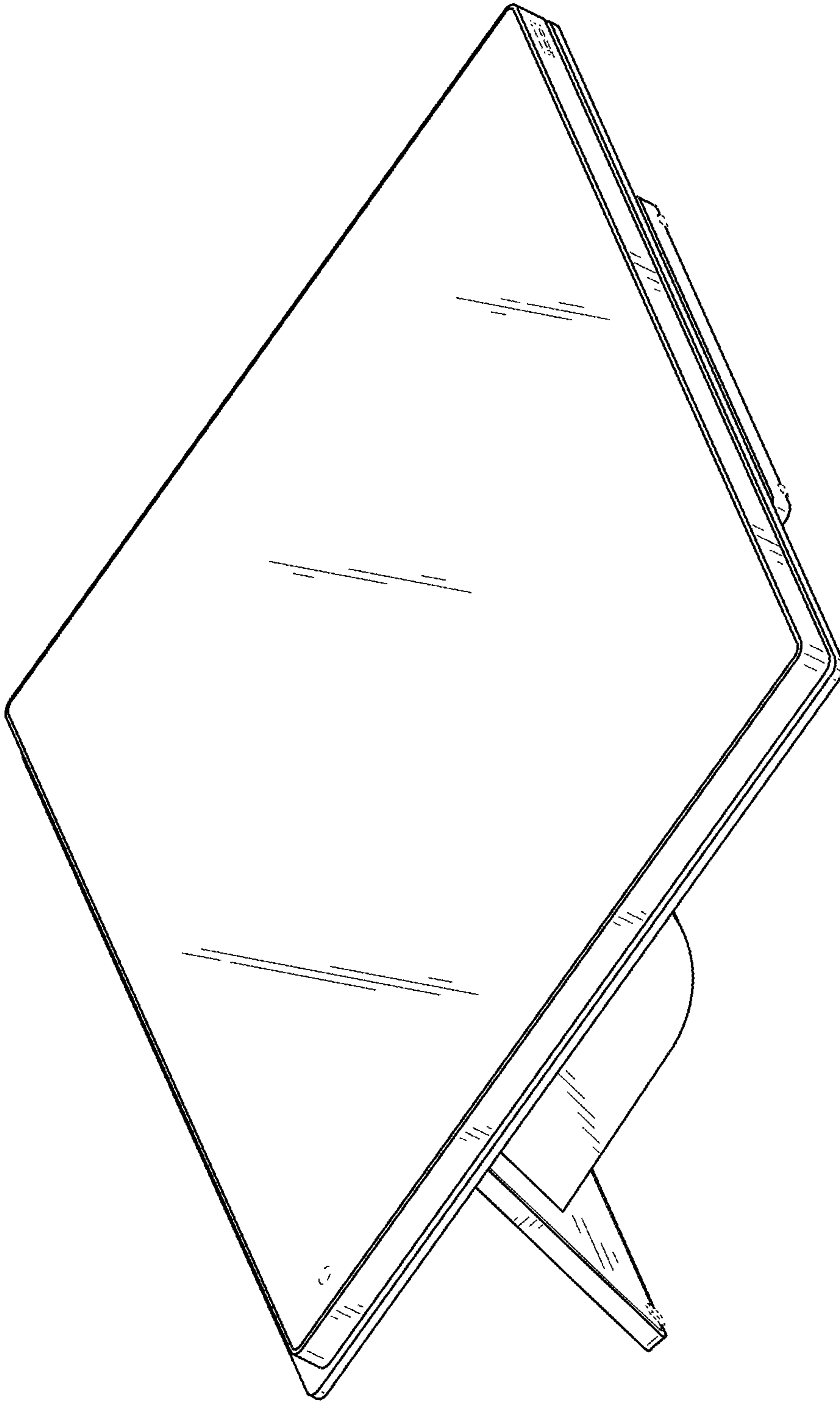


FIG. 1

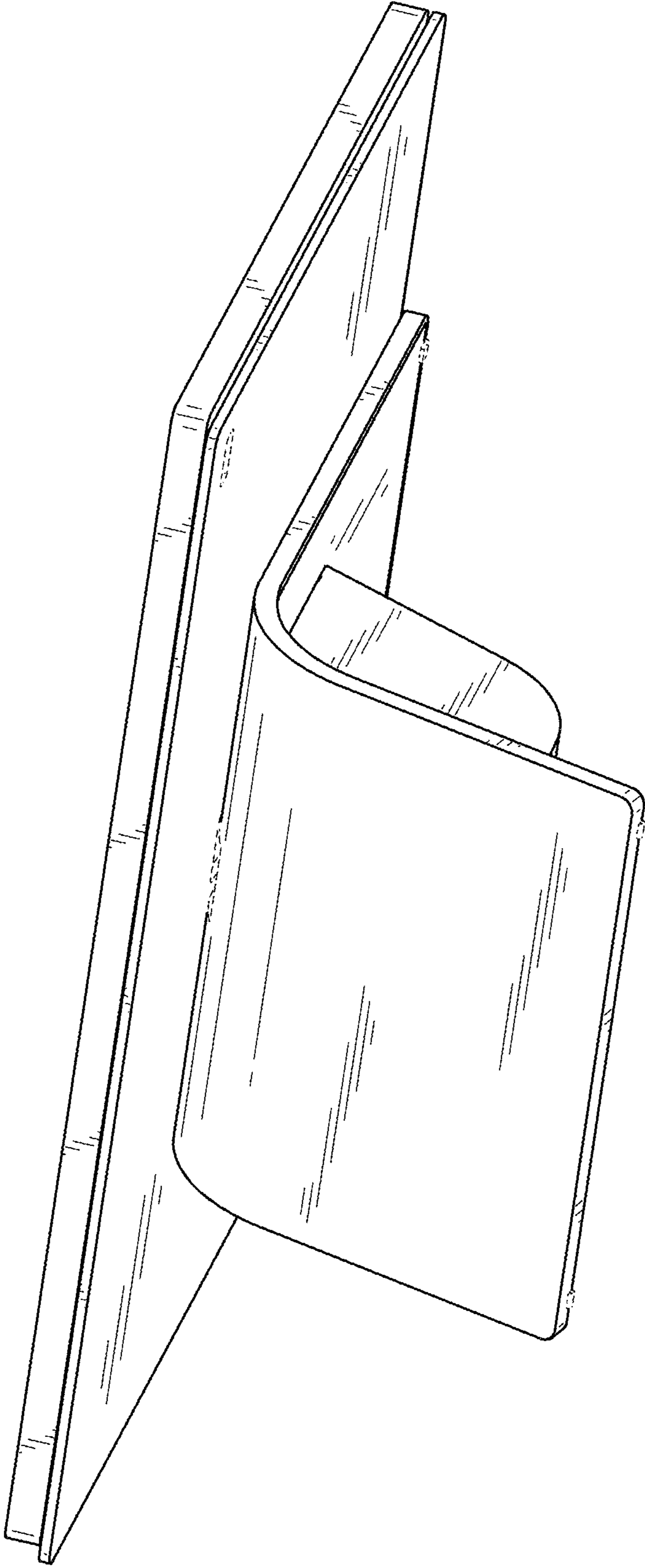


FIG. 2

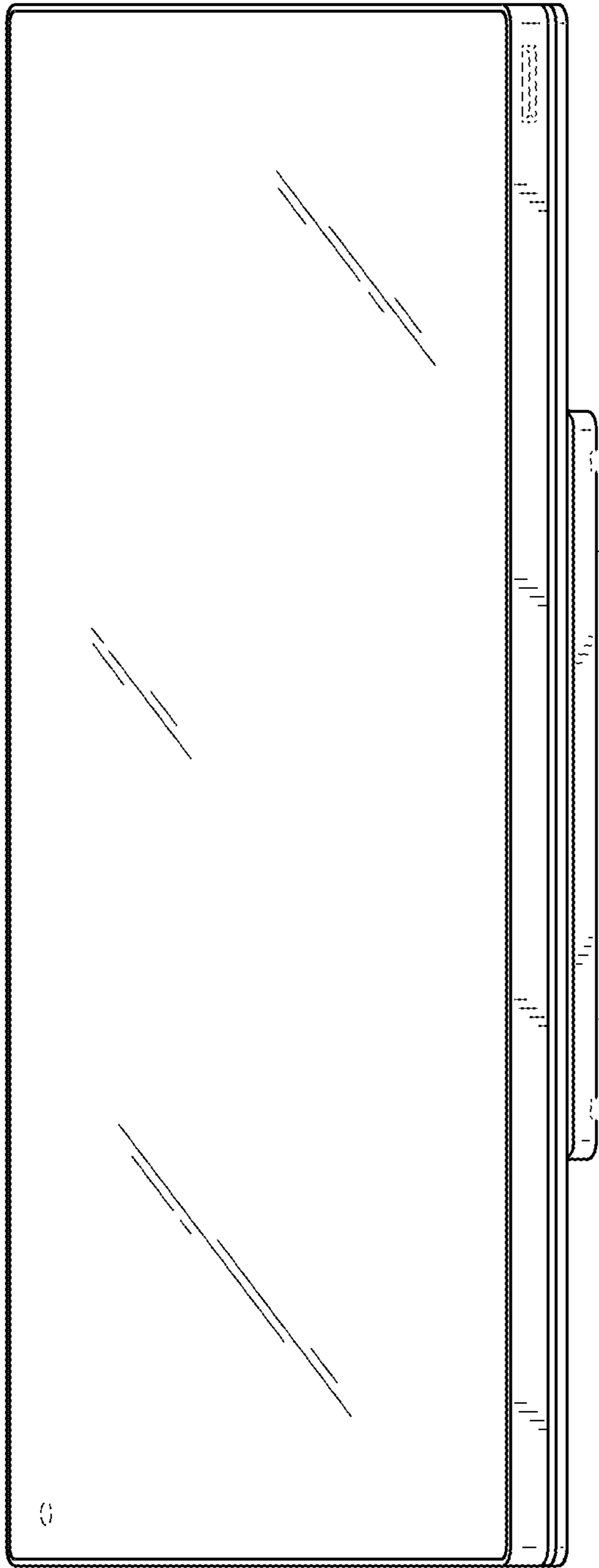


FIG. 3

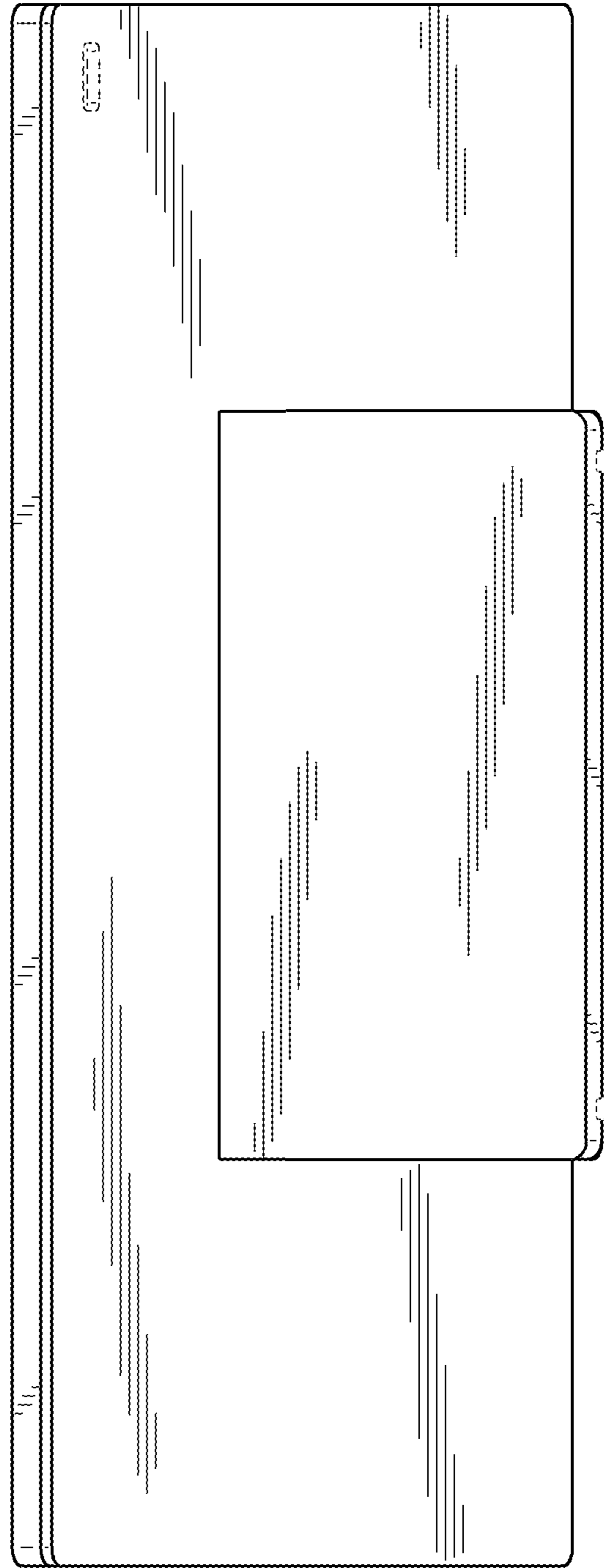


FIG. 4

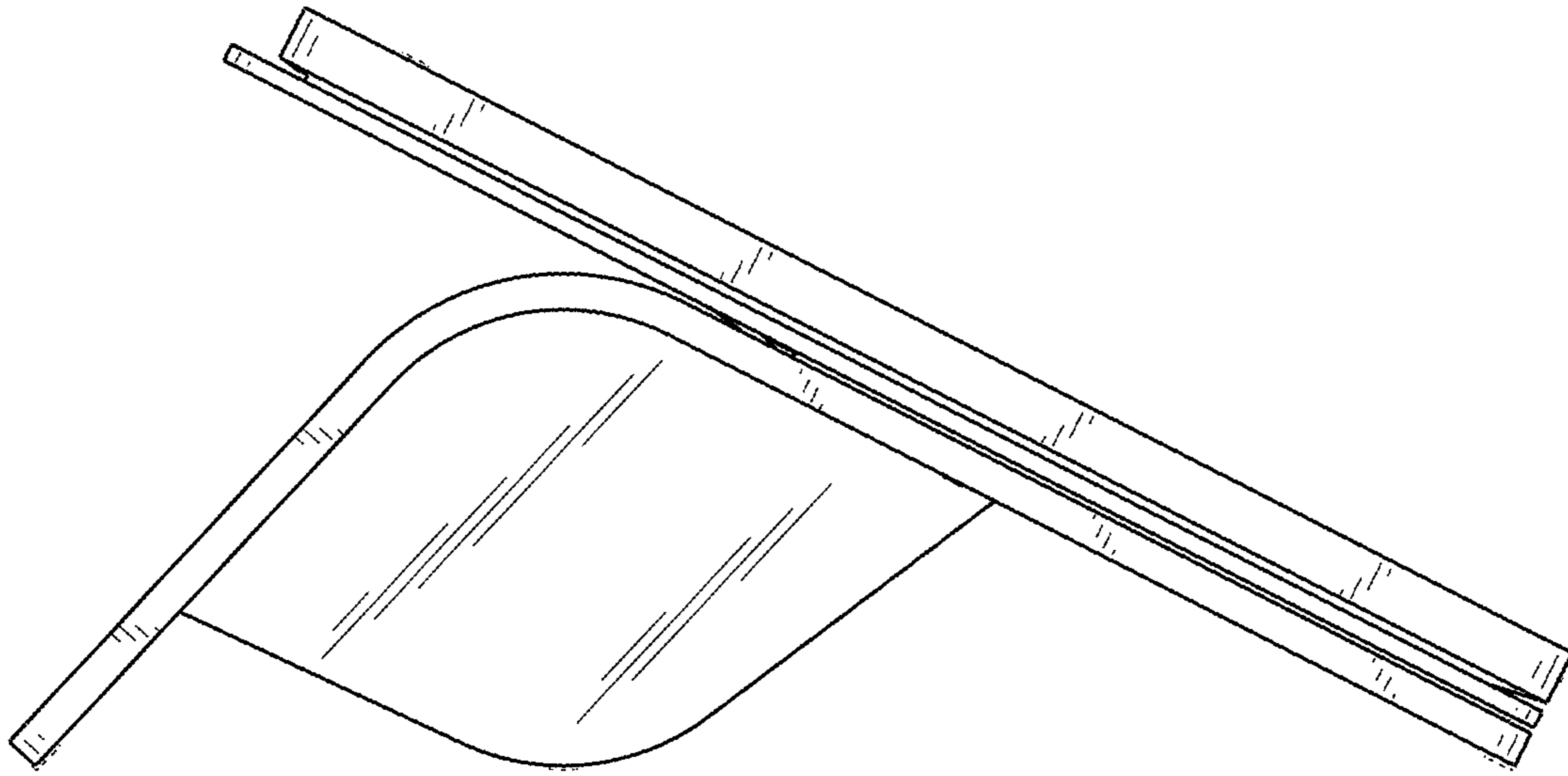


FIG. 5

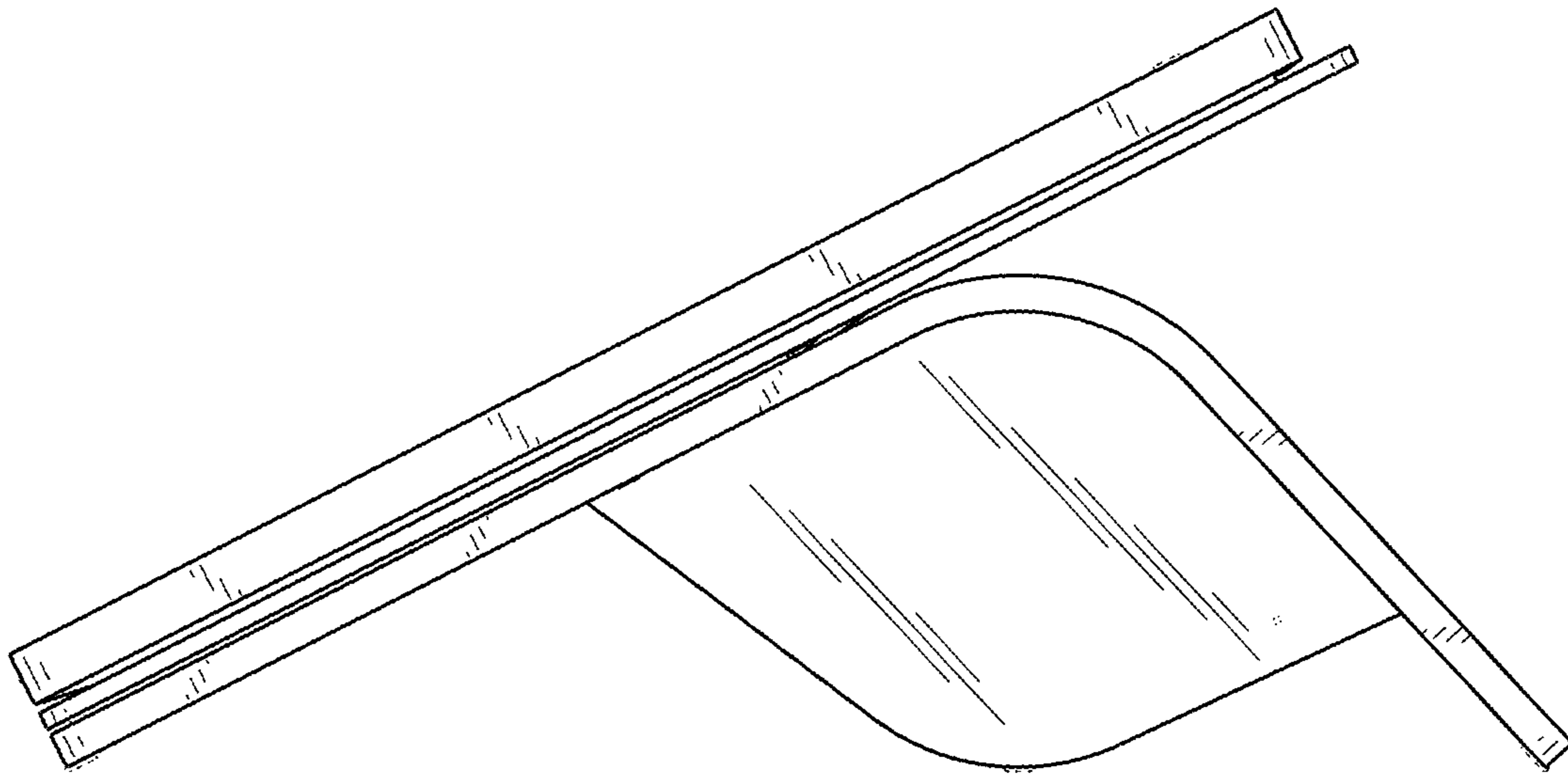


FIG. 6

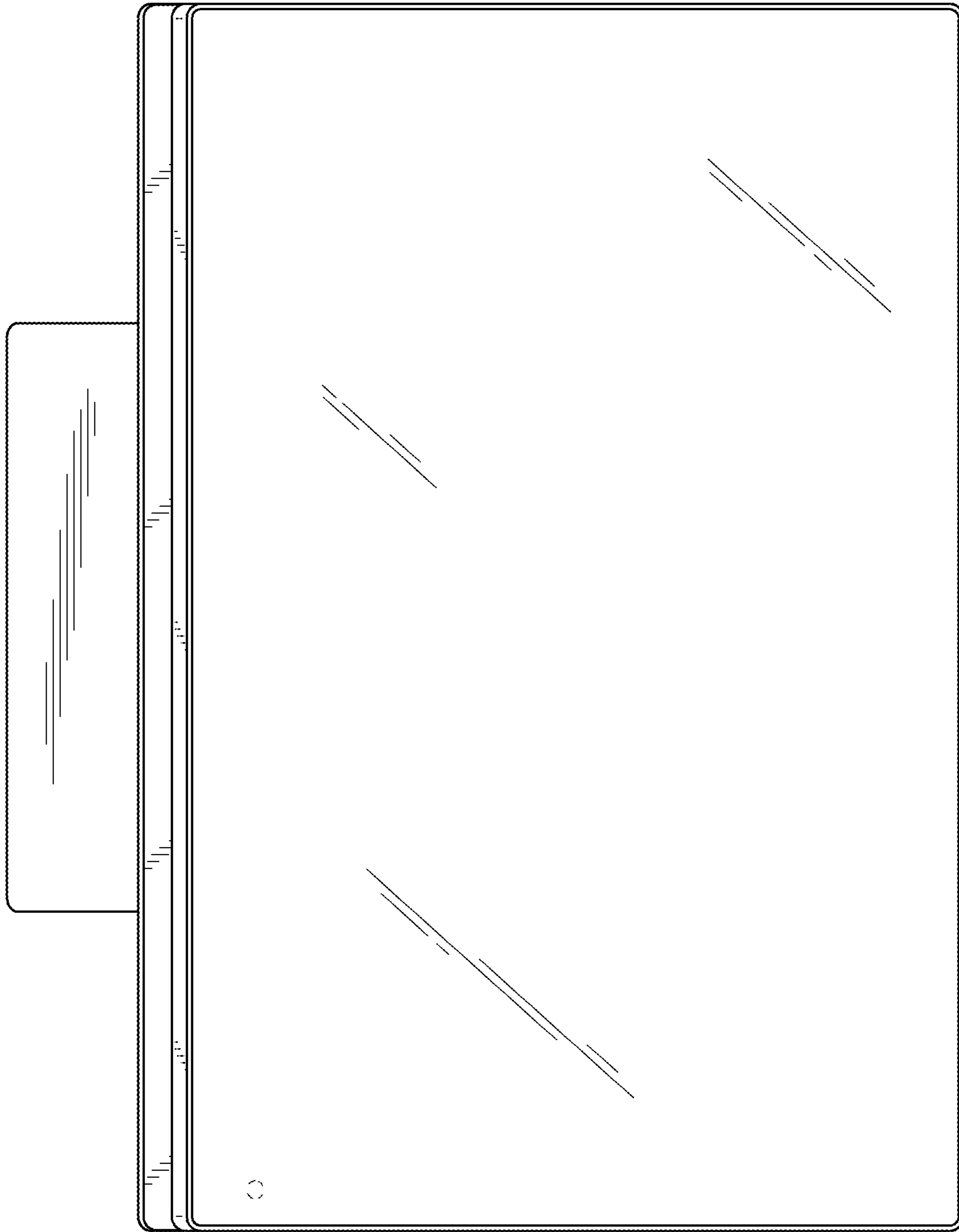


FIG. 7

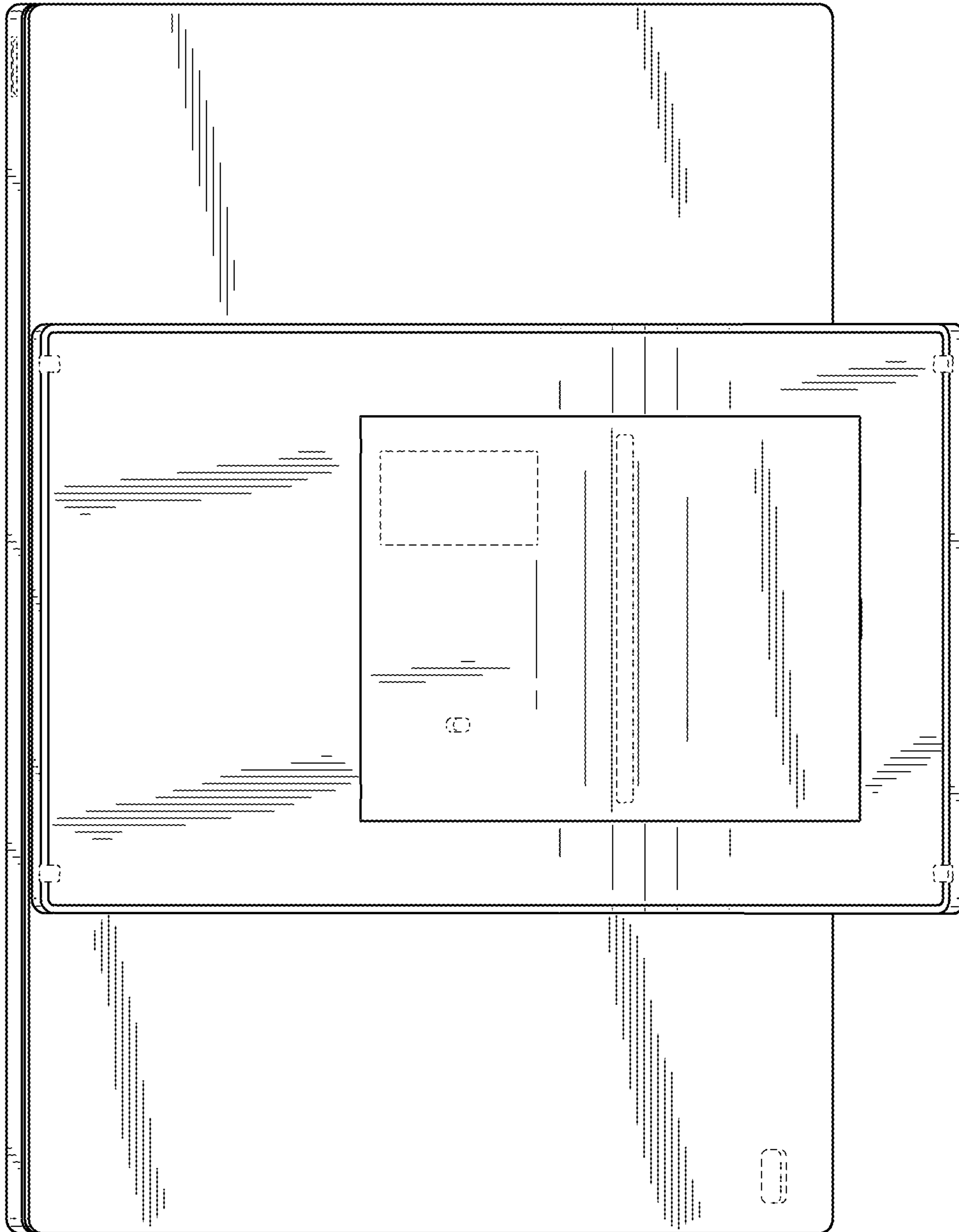


FIG. 8

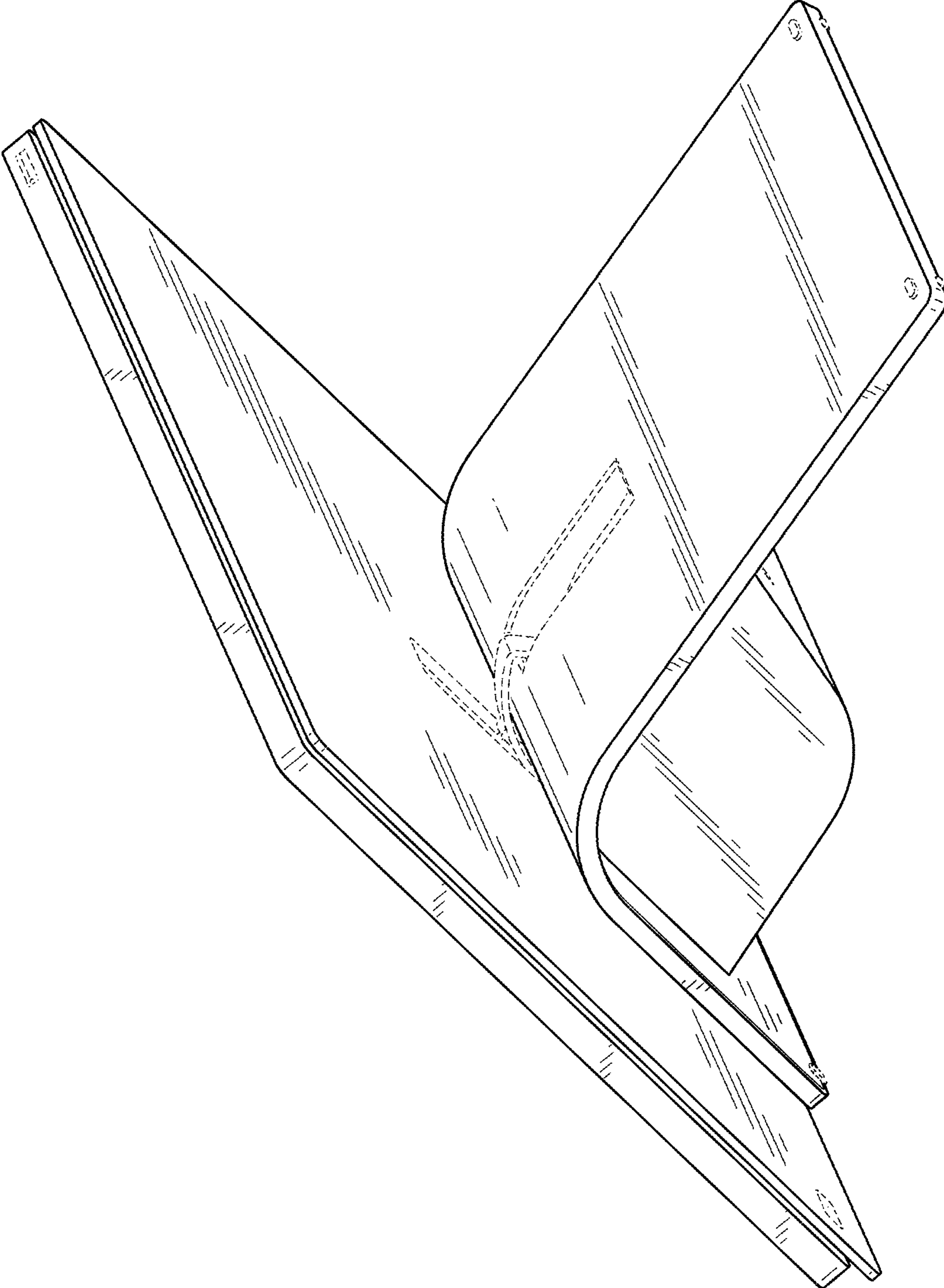


FIG. 9

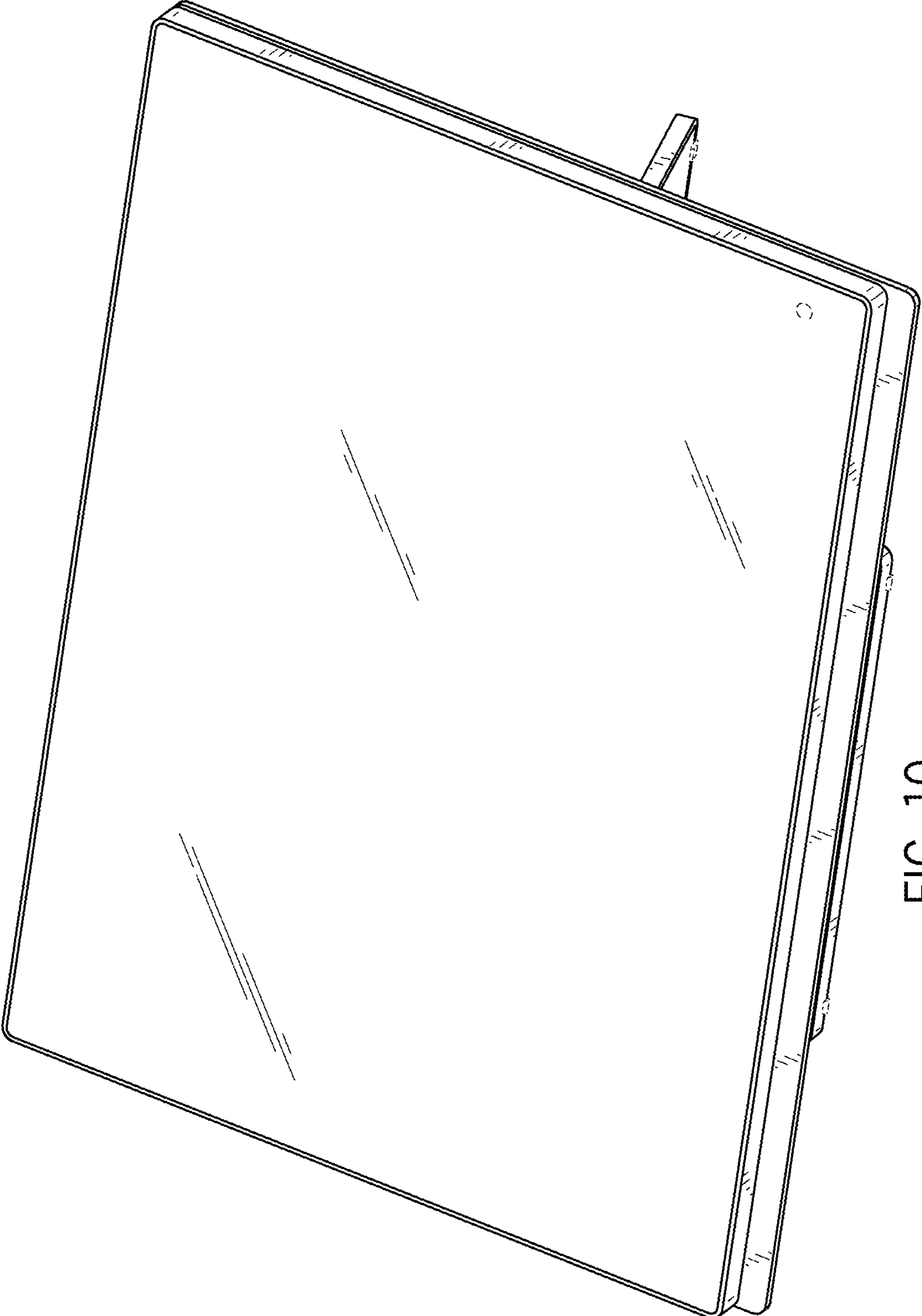


FIG. 10

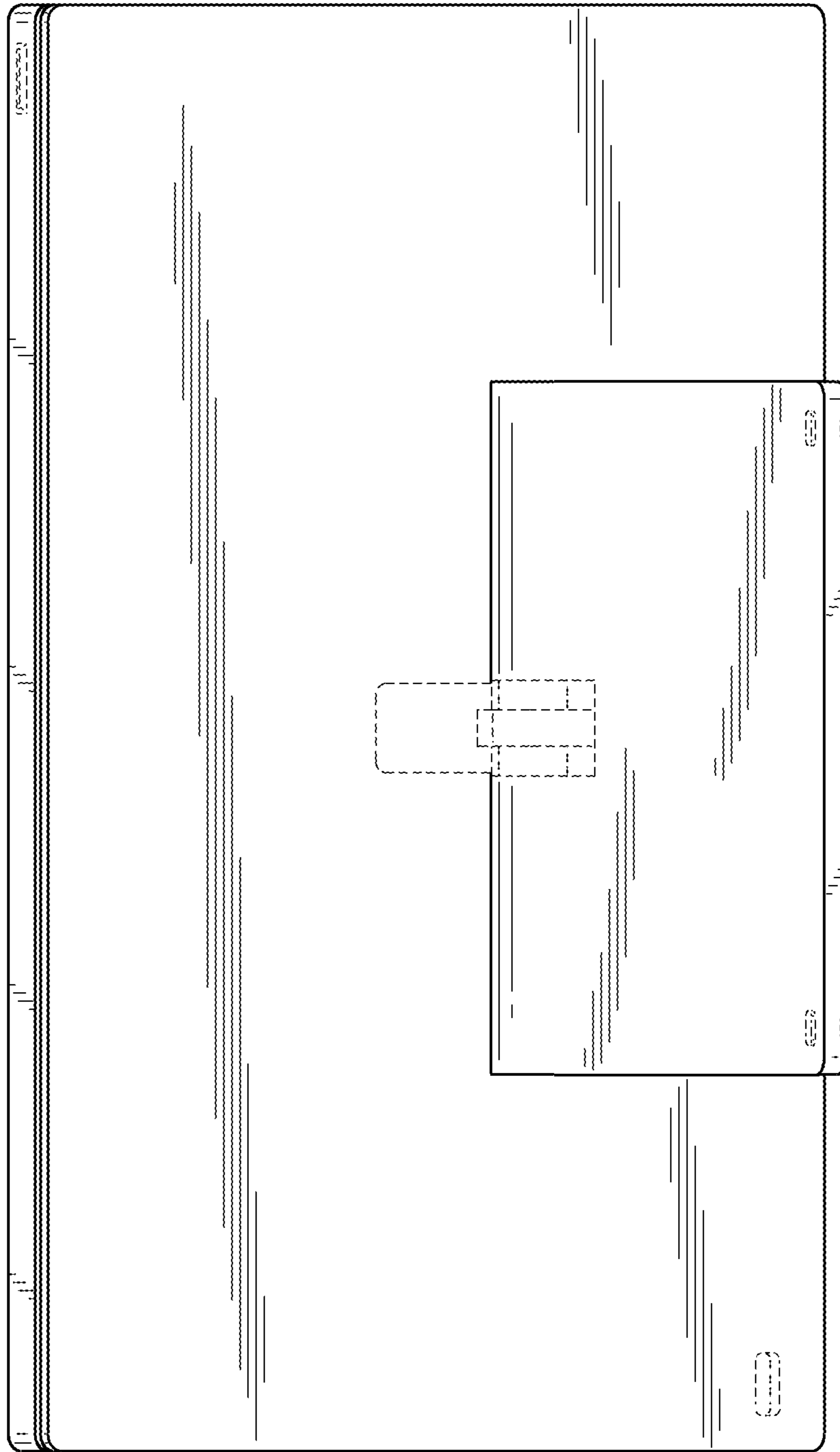


FIG. 11

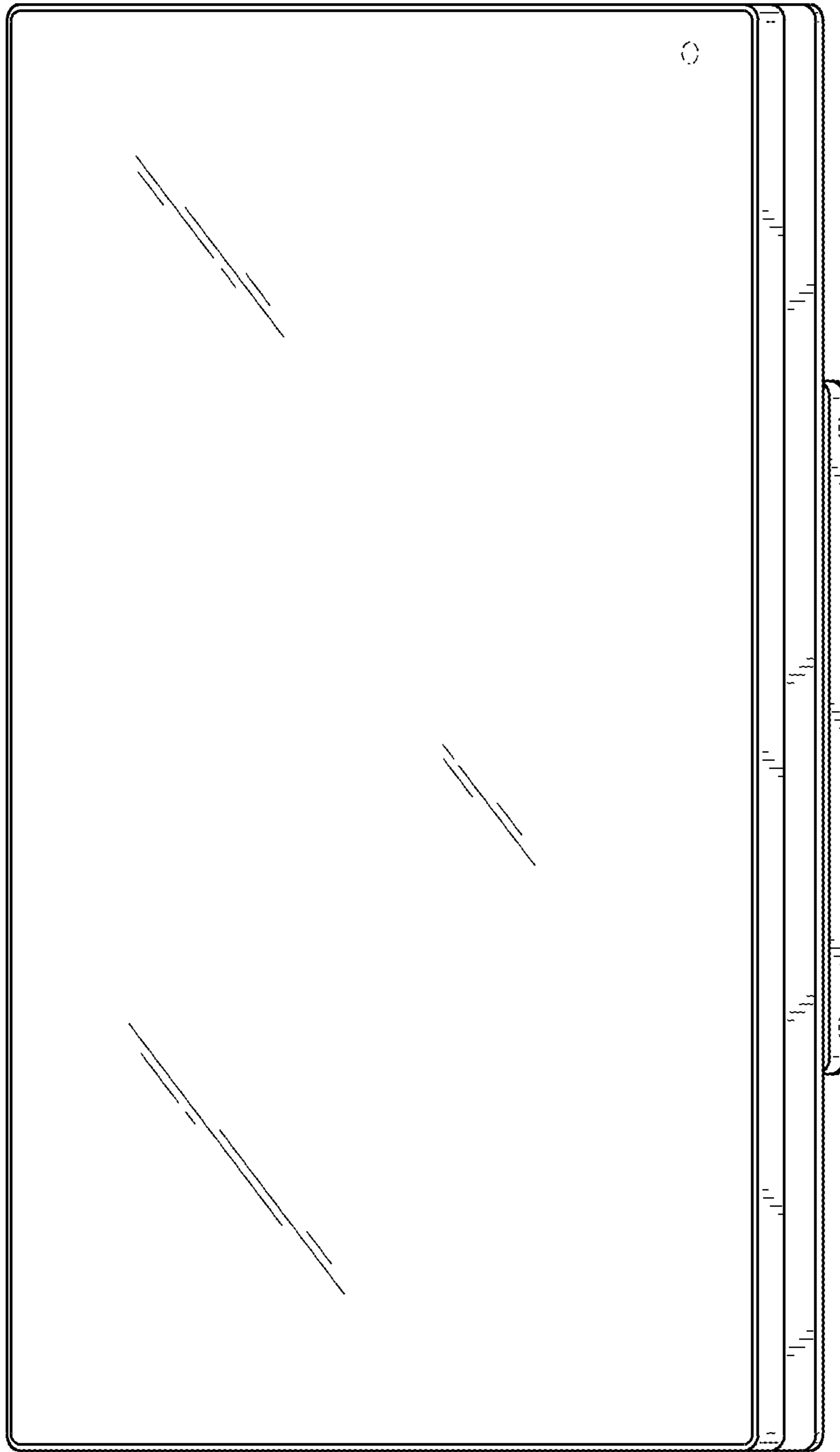


FIG. 12

FIG. 13

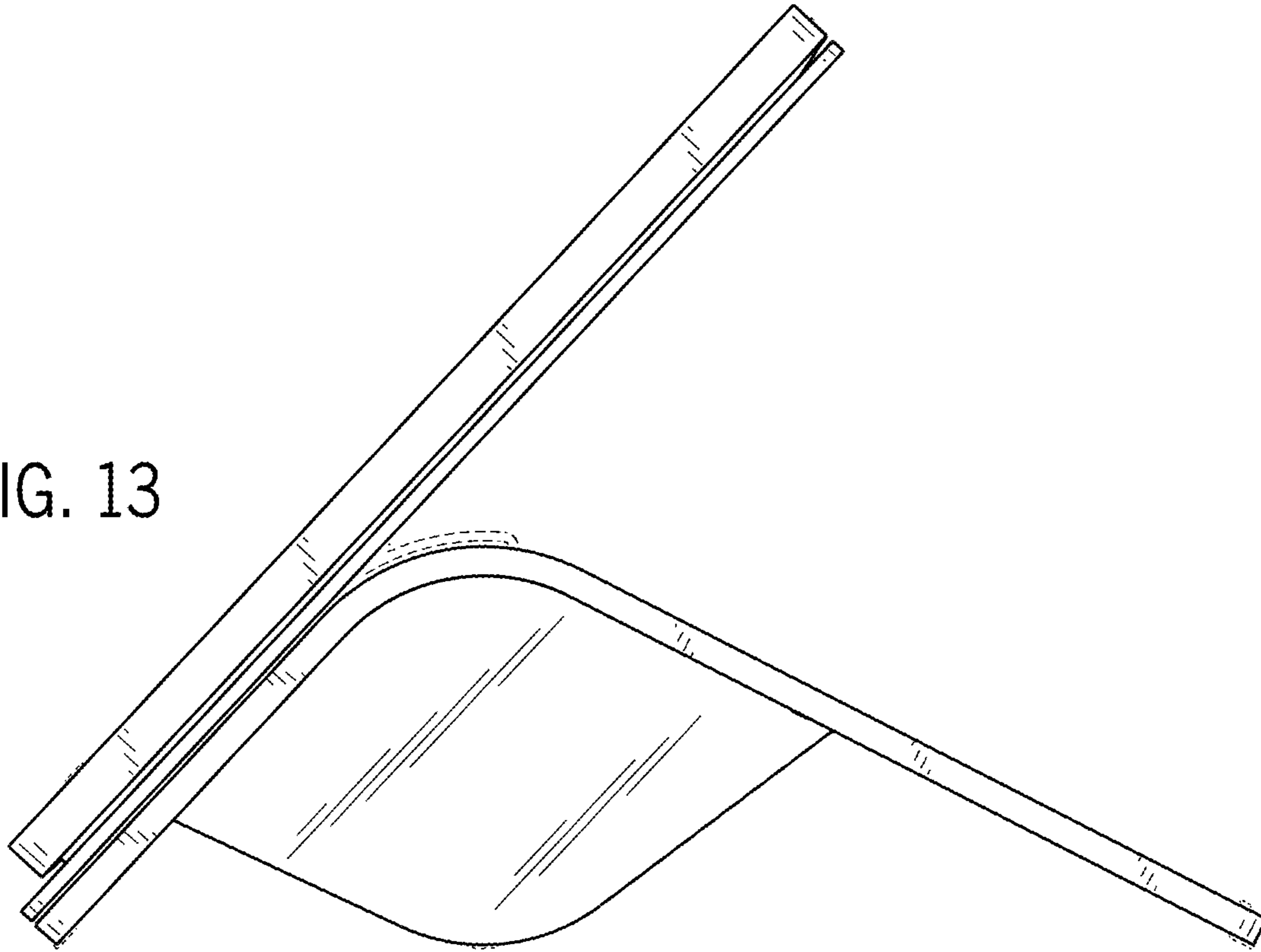
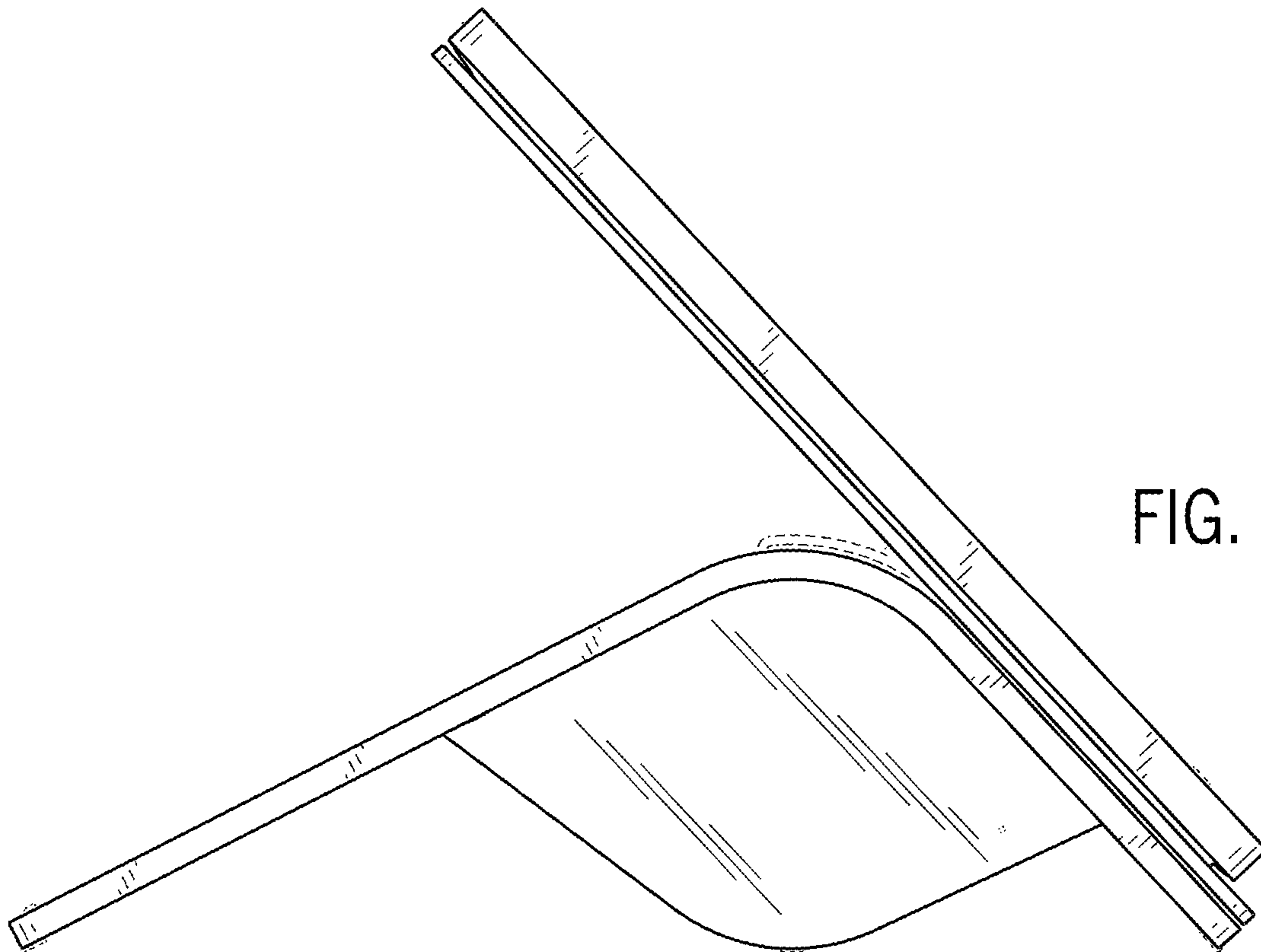


FIG. 14



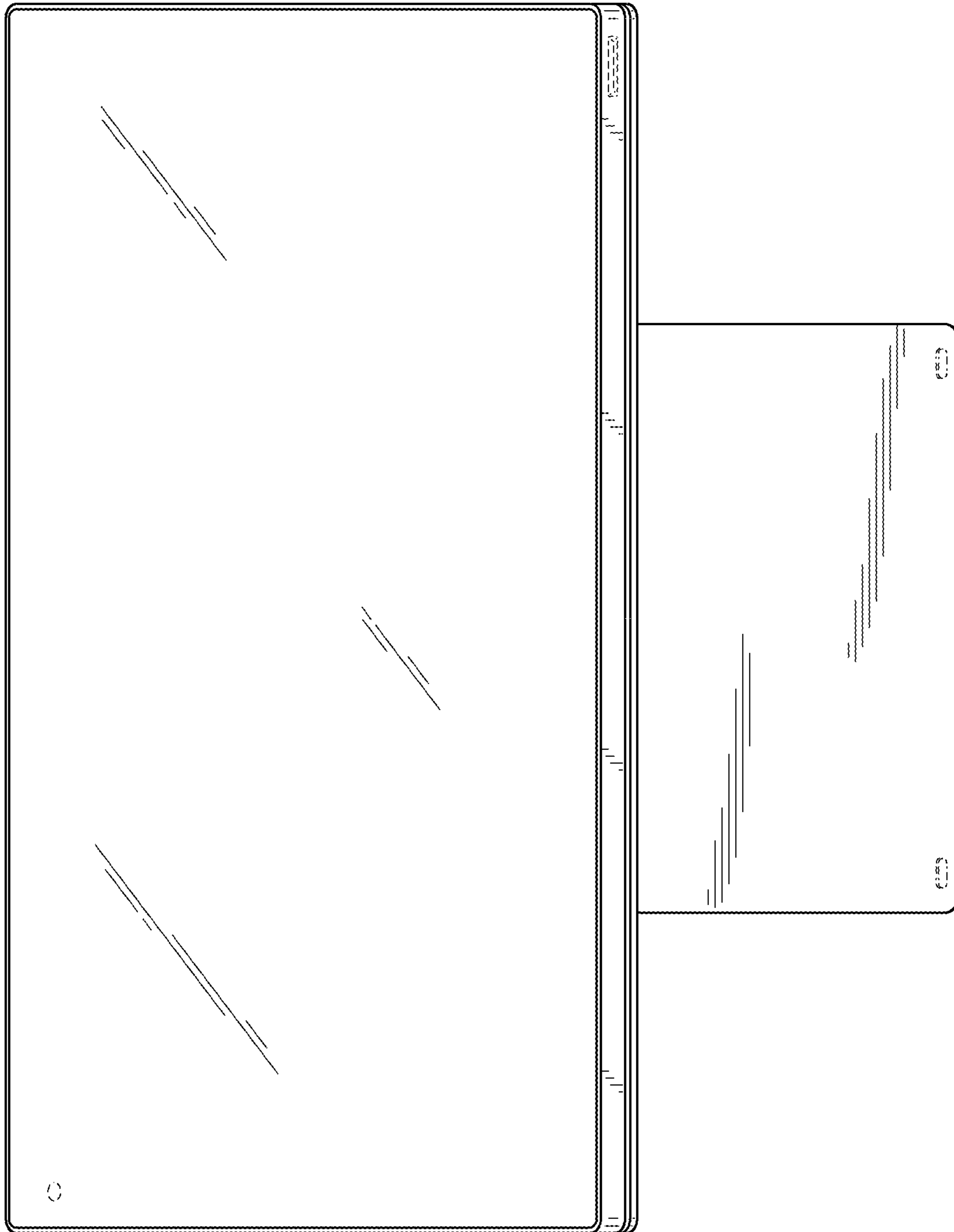


FIG. 15

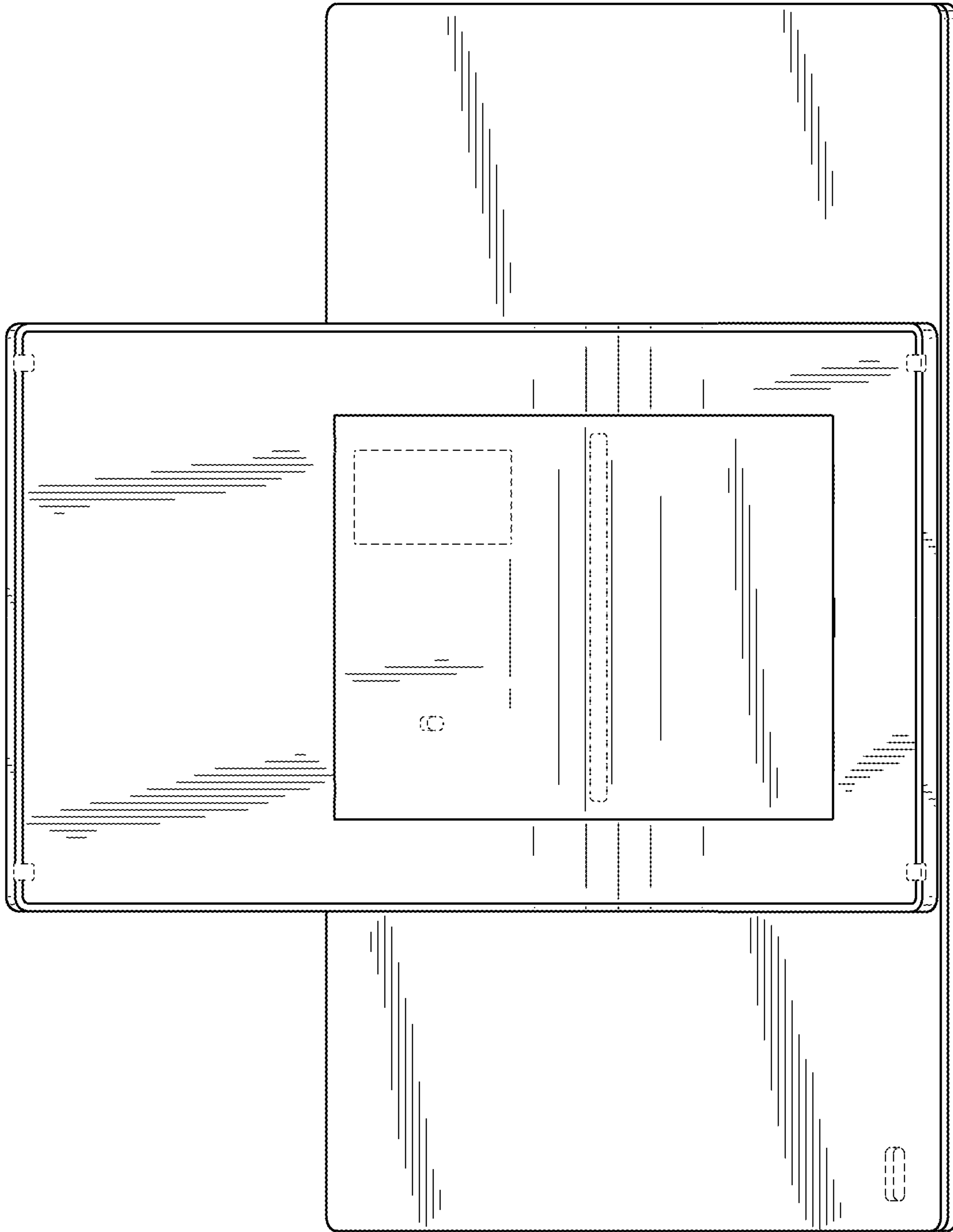


FIG. 16