

US00D875103S

(12) **United States Design Patent** (10) **Patent No.:** **US D875,103 S**  
**Vogel et al.** (45) **Date of Patent:** **\*\* Feb. 11, 2020**

(54) **DISK AND SOCKET**  
(71) Applicant: **NITE IZE, INC.**, Boulder, CO (US)  
(72) Inventors: **Frank Vogel**, Boulder, CO (US);  
**Bowden Ormsbee**, Longmont, CO (US); **Rex Stevens**, Longmont, CO (US)  
(73) Assignee: **Nite Ize, Inc.**, Boulder, CO (US)  
(\*\*) Term: **15 Years**  
(21) Appl. No.: **29/650,697**  
(22) Filed: **Jun. 8, 2018**  
(51) **LOC (12) Cl.** ..... **08-07**  
(52) **U.S. Cl.**  
USPC ..... **D14/447**  
(58) **Field of Classification Search**  
USPC ..... D14/447, 432, 434, 439, 440, 451, 452, D14/457, 239, 250, 253, 203.7, 336, 337; D8/363, 373, 380; D6/406.3, 406.4, D6/406.5, 406.6; D12/415; D21/330, D21/331; D3/218  
CPC ..... A47B 21/04; A47B 2097/006; A47B 2097/005; A47B 2023/049; A45C 2011/002; A45C 2011/003; F16M 2200/00; F16M 13/00  
See application file for complete search history.

D719,959 S *	12/2014	Vogel .....	D14/447
D735,210 S *	7/2015	Kim .....	D14/447
D748,639 S *	2/2016	Khodapanah .....	D14/447
D768,635 S *	10/2016	Due .....	D14/432
D777,103 S *	1/2017	Park .....	D13/108
D782,973 S *	4/2017	Zhou .....	D13/108
D791,215 S *	7/2017	Schmidt .....	D16/202
D794,557 S *	8/2017	Kim .....	D13/108
D832,276 S *	10/2018	Miles .....	D14/451
D833,449 S *	11/2018	Khubani .....	D14/447
D837,863 S *	1/2019	Persson .....	D16/203

\* cited by examiner

*Primary Examiner* — Angela J Lee

(74) *Attorney, Agent, or Firm* — Haynes and Boone, LLP

(57) **CLAIM**

The ornamental design for the disk and socket, as shown and described.

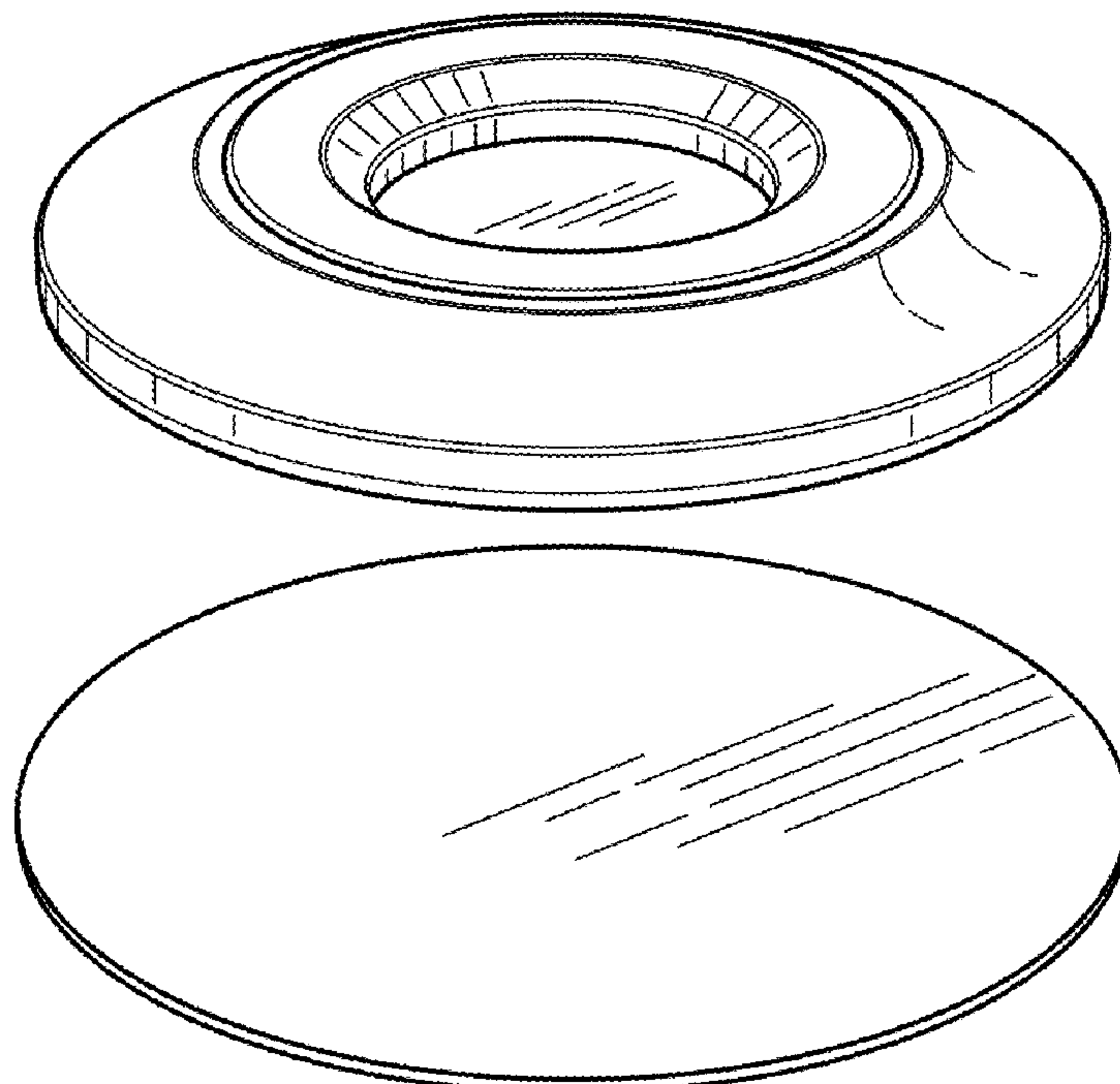
**DESCRIPTION**

FIG. 1 shows a left front perspective view of a disk and socket in a separated arrangement;  
FIG. 2 shows a left front perspective view of the disk and socket of FIG. 1;  
FIG. 3 shows a side view of the disk of the disk and socket of FIG. 1;  
FIG. 4 is a front perspective view showing the socket of FIG. 1 separately for clarity of illustration;  
FIG. 5 shows a rear perspective view of the socket of FIG. 4;  
FIG. 6 shows top view of the socket of FIG. 4;  
FIG. 7 shows bottom view of the socket of FIG. 4; and,  
FIG. 8 shows a symmetrical side view of the socket of FIG. 4.

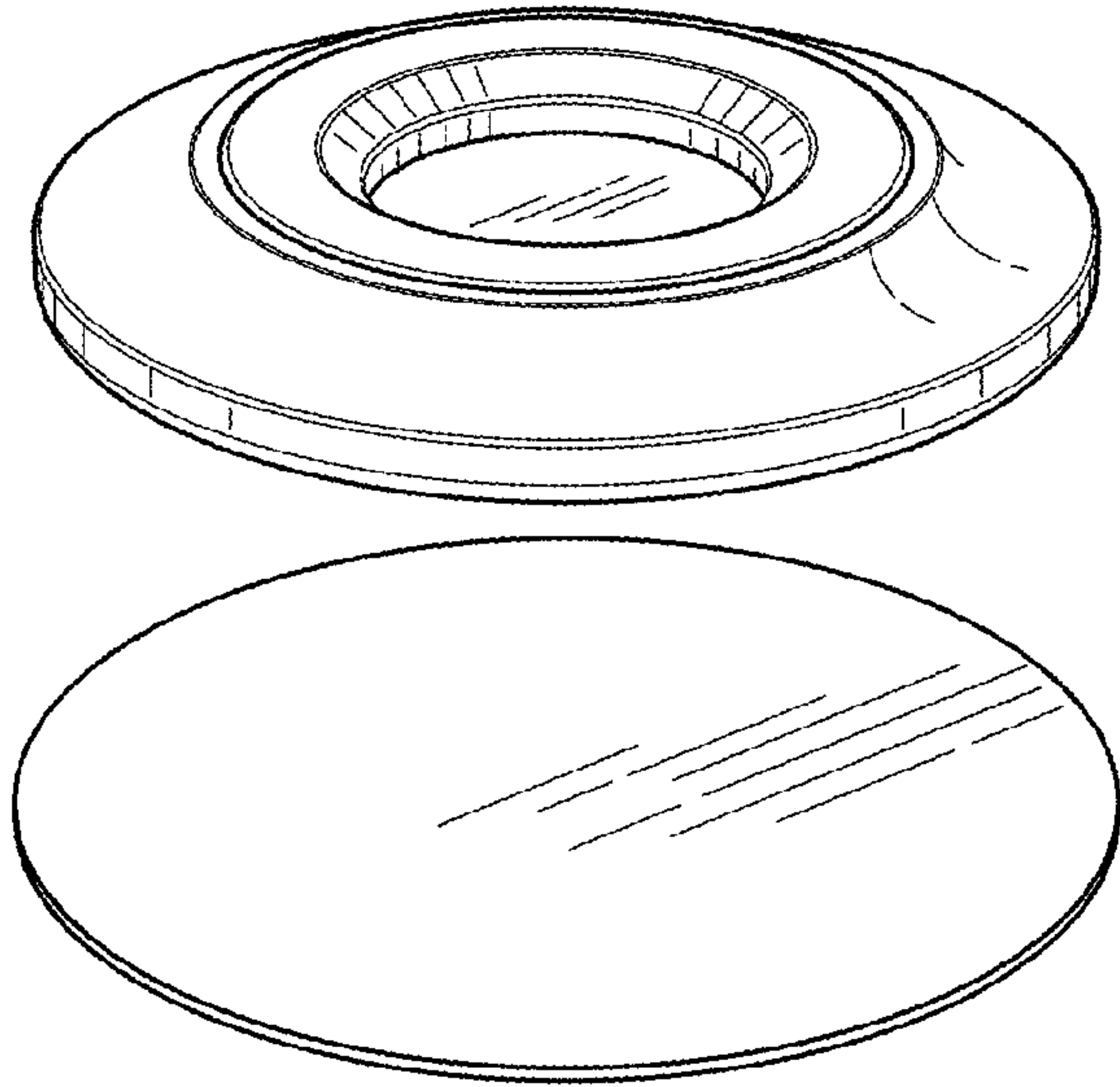
(56) **References Cited**  
U.S. PATENT DOCUMENTS

D660,691 S *	5/2012	Yamazaki .....	D8/399
D712,963 S *	9/2014	Fleet .....	D19/113

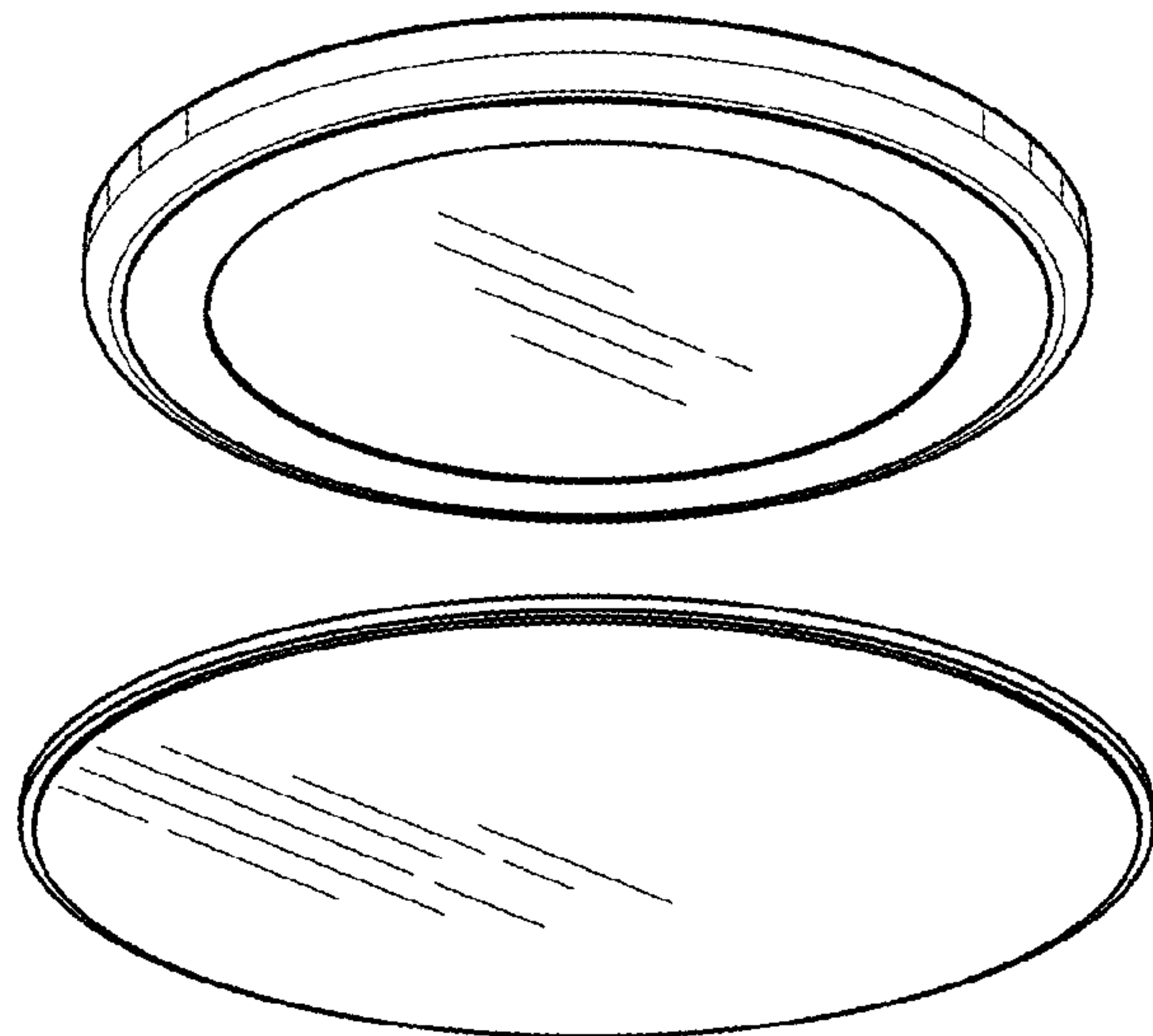
**1 Claim, 2 Drawing Sheets**



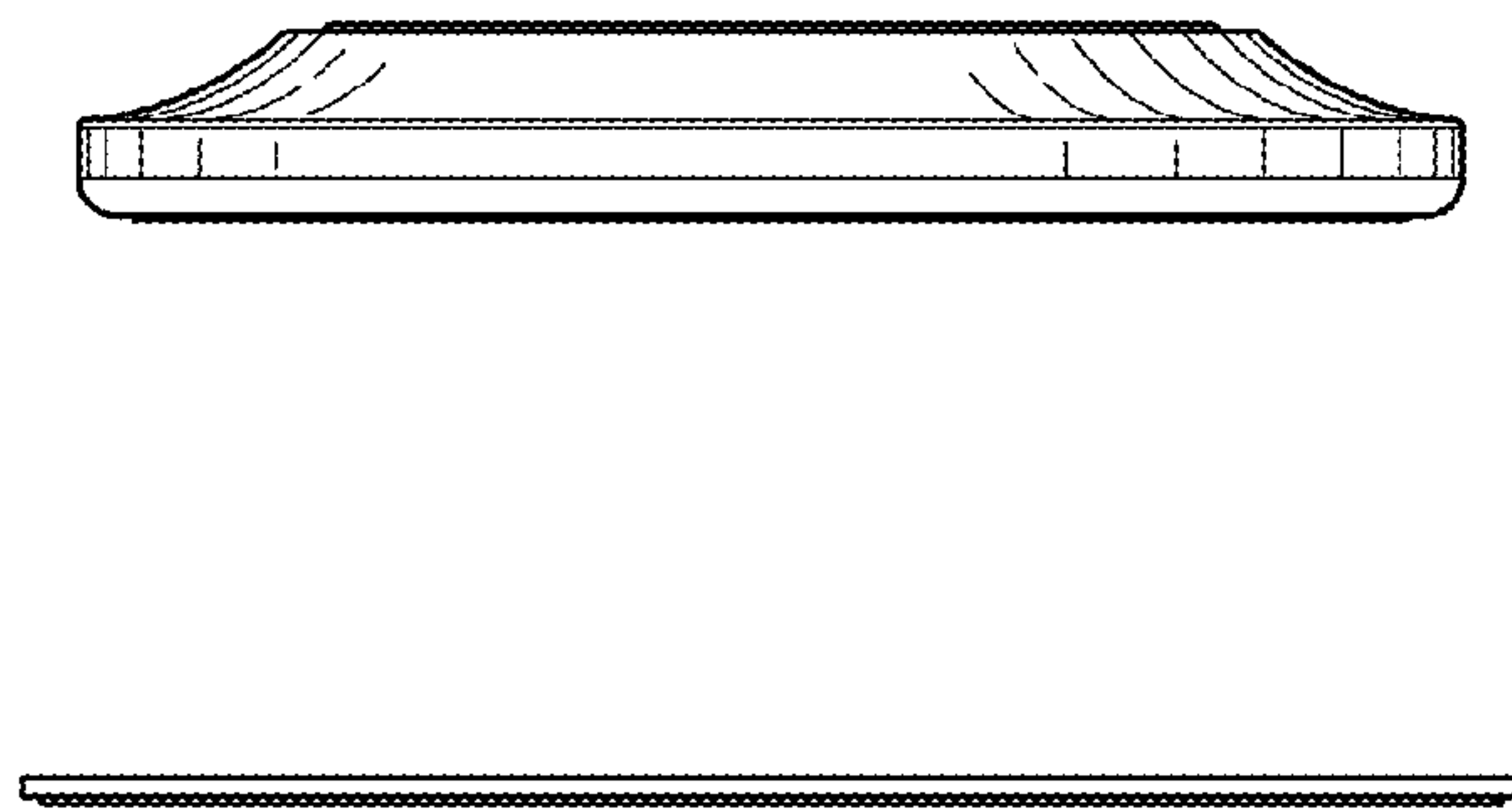
**FIG. 1**



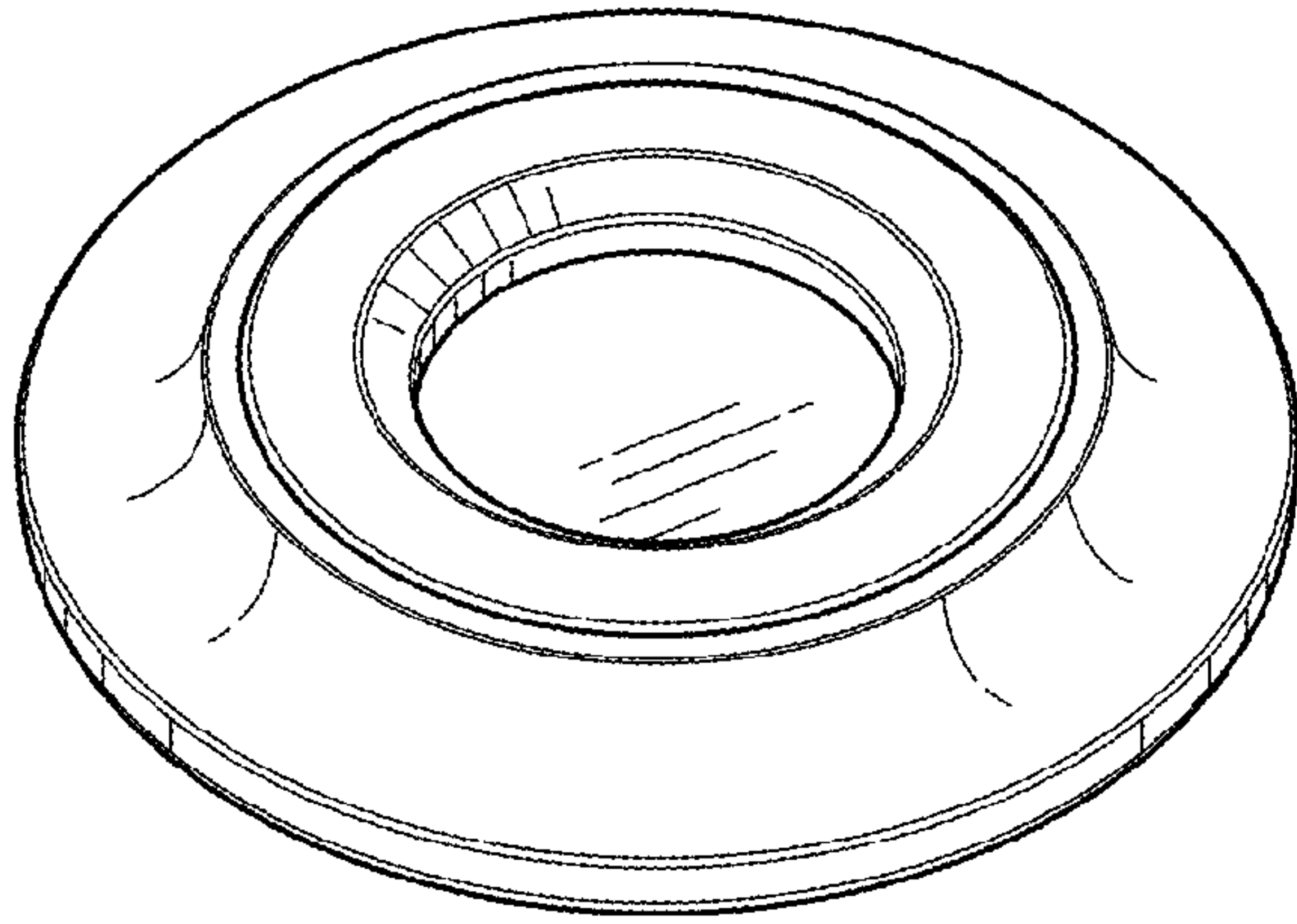
**FIG. 2**



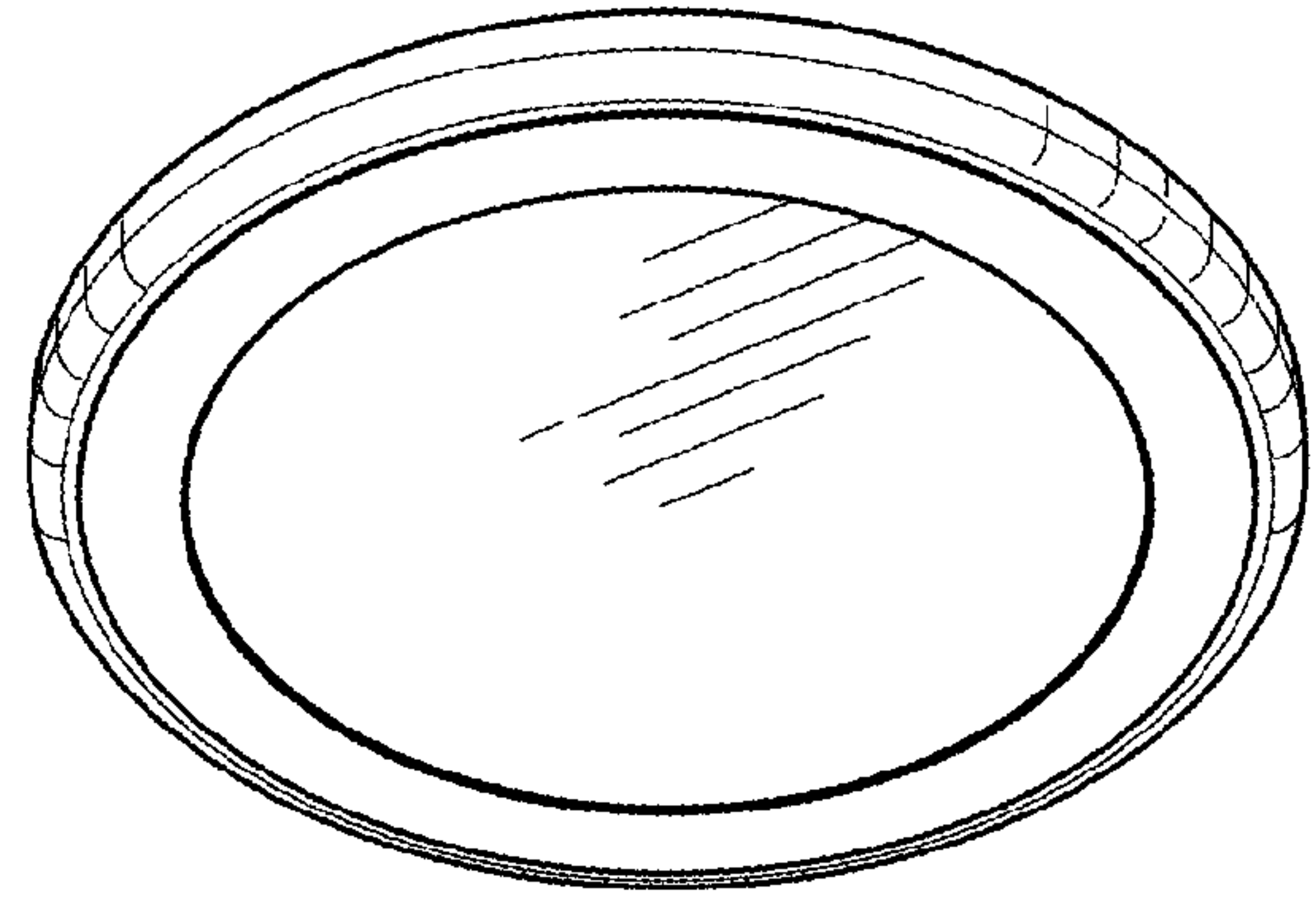
**FIG. 3**



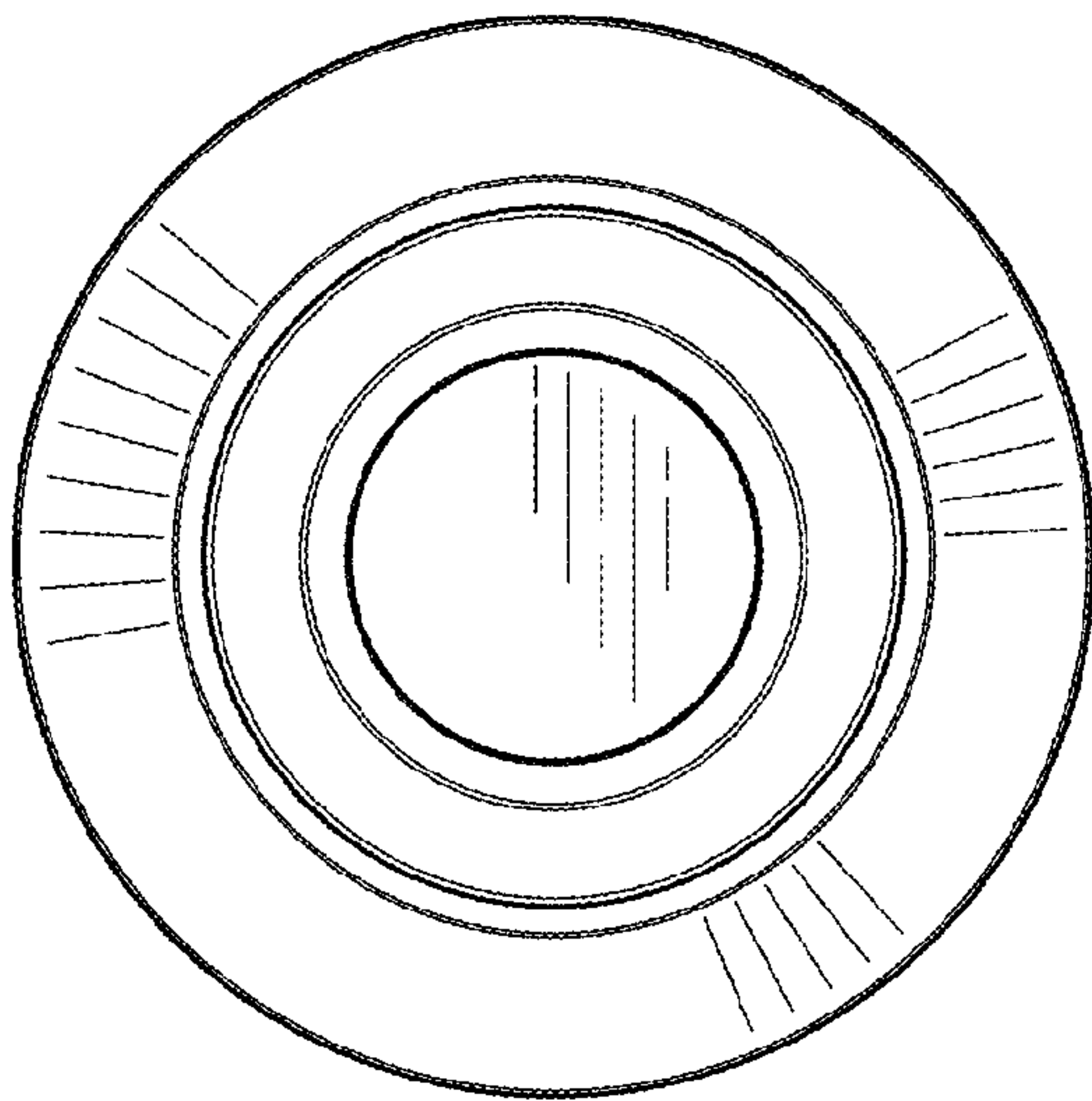
**FIG. 4**



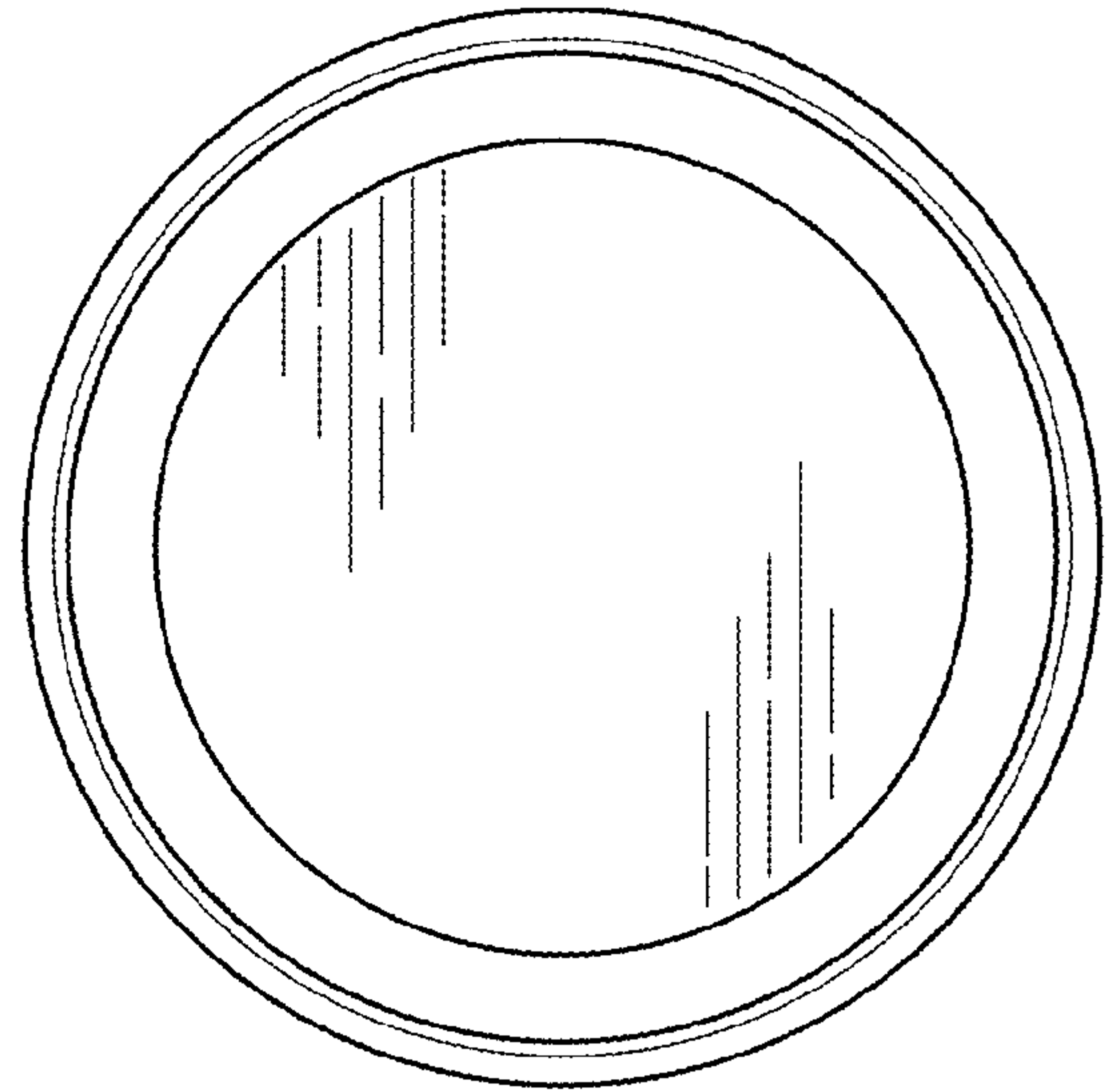
**FIG. 5**



**FIG. 6**



**FIG. 7**



**FIG. 8**

