



US00D875100S

(12) **United States Design Patent**
Chang

(10) **Patent No.:** **US D875,100 S**

(45) **Date of Patent:** **** Feb. 11, 2020**

(54) **CRASHPROOF CORNER FOR PORTABLE COMPUTER**

(71) Applicant: **Getac Technology Corporation,**
Hsinchu County (TW)

(72) Inventor: **Chia-Wei Chang,** Taipei (TW)

(73) Assignee: **GETAC TECHNOLOGY CORPORATION,** Hsinchu County (TW)

(**) Term: **15 Years**

(21) Appl. No.: **29/653,461**

(22) Filed: **Jun. 15, 2018**

(51) **LOC (12) Cl.** **14-02**

(52) **U.S. Cl.**
USPC **D14/440**

(58) **Field of Classification Search**
USPC D14/440, 447, 250; 206/45.23, 320,
206/45.2; 361/679.55; 294/25; 224/218
CPC G06F 1/1628; G06F 1/1626; A47B 23/044
See application file for complete search history.

(56) **References Cited**

U.S. PATENT DOCUMENTS

- 4,479,318 A * 10/1984 Russell A47G 1/0633
206/454
- 5,433,023 A * 7/1995 Edwards B42F 5/06
40/778
- D361,601 S * 8/1995 Goldman D20/42
- 6,401,376 B2 * 6/2002 Cumberland B42F 5/00
40/768
- D595,360 S * 6/2009 Ogawa D20/10
- D703,750 S * 4/2014 Tsai D19/99
- D711,970 S * 8/2014 Bennett D21/392
- D723,037 S * 2/2015 Huang D14/440
- D731,492 S * 6/2015 Snyder D14/440

- D748,634 S * 2/2016 Hofer D14/440
- D757,017 S * 5/2016 Sirichai D14/440
- D778,272 S * 2/2017 Kim D14/250
- D787,494 S * 5/2017 Kim D14/250
- D787,496 S * 5/2017 Kim D14/250
- D788,091 S * 5/2017 Kim D14/250
- D792,886 S * 7/2017 Schwibner D14/440
- D809,498 S * 2/2018 Ahn D14/250
- D810,732 S * 2/2018 Fenton D14/341
- D839,866 S * 2/2019 Entwistle D14/251
- D852,799 S * 7/2019 Fenton D14/440
- 2013/0271897 A1 * 10/2013 Limber H04B 1/3888
361/679.01

* cited by examiner

Primary Examiner — Cynthia R Underwood

(74) *Attorney, Agent, or Firm* — Locke Lord LLP; Tim Tingkang Xia, Esq.

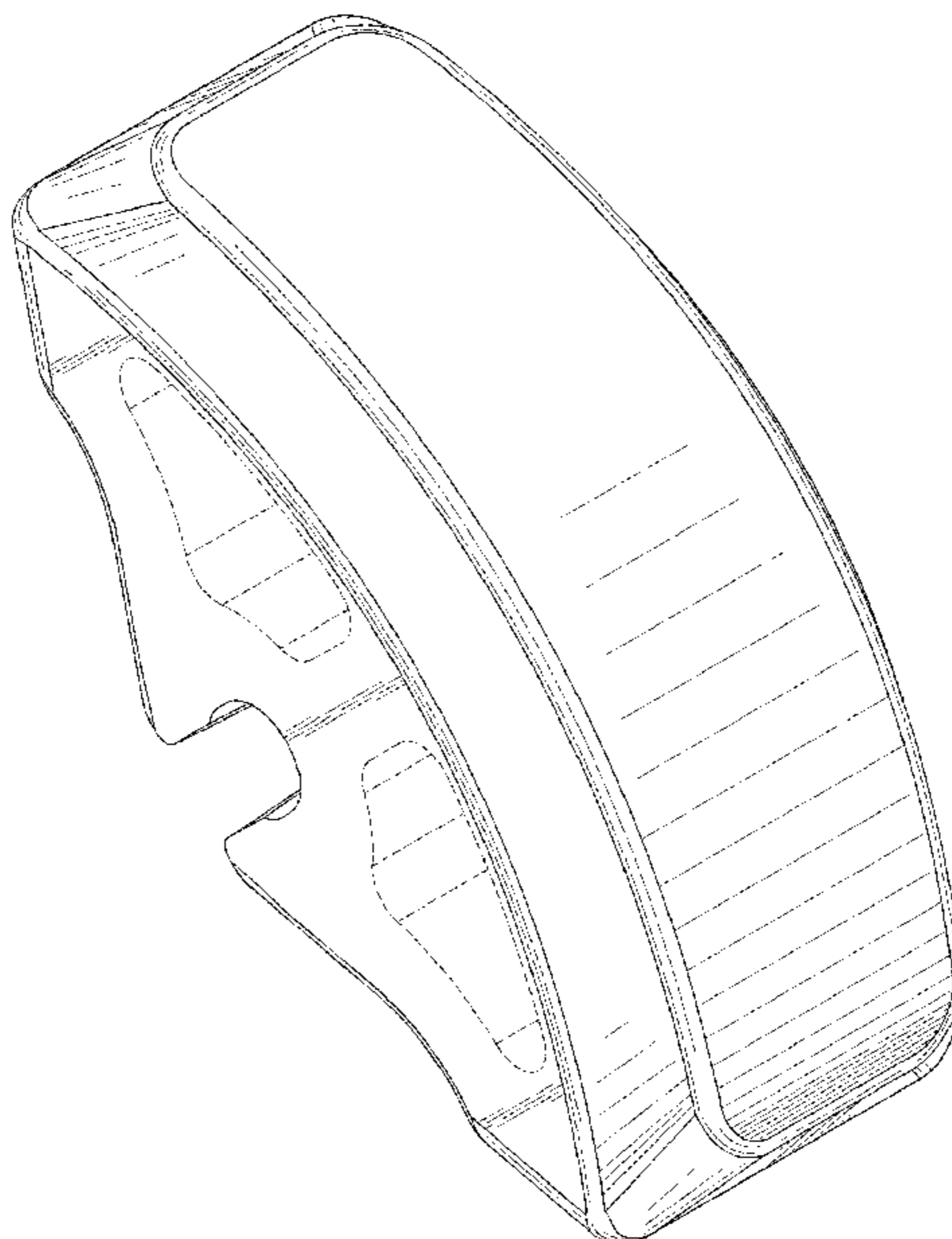
(57) **CLAIM**

The ornamental design for a crashproof corner for portable computer, as shown and described.

DESCRIPTION

FIG. 1 is a top, front right side perspective view showing an embodiment of my new design;
 FIG. 2 is a bottom, rear left side perspective view thereof;
 FIG. 3 is a front view thereof;
 FIG. 4 is a rear view thereof;
 FIG. 5 is a left side view thereof;
 FIG. 6 is a right side view thereof;
 FIG. 7 is a top view thereof;
 FIG. 8 is a bottom view thereof;
 FIG. 9 is an exploded front view thereof with a portable computer; and,
 FIG. 10 is a front view thereof with a portable computer.
 The broken lines are directed to environment and are for illustrative purposes only. The broken lines form no part of the claimed design.

1 Claim, 10 Drawing Sheets



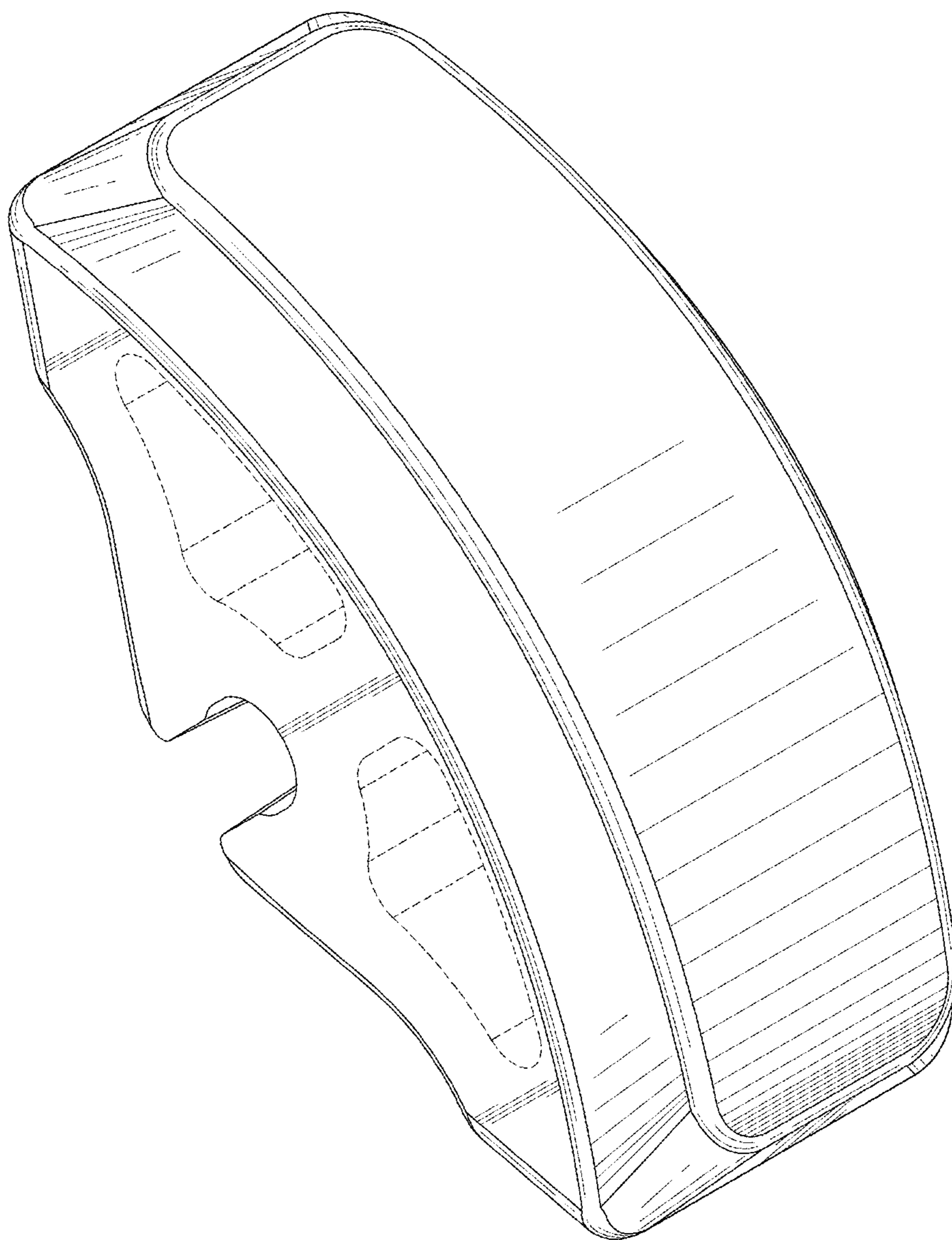


FIG. 1

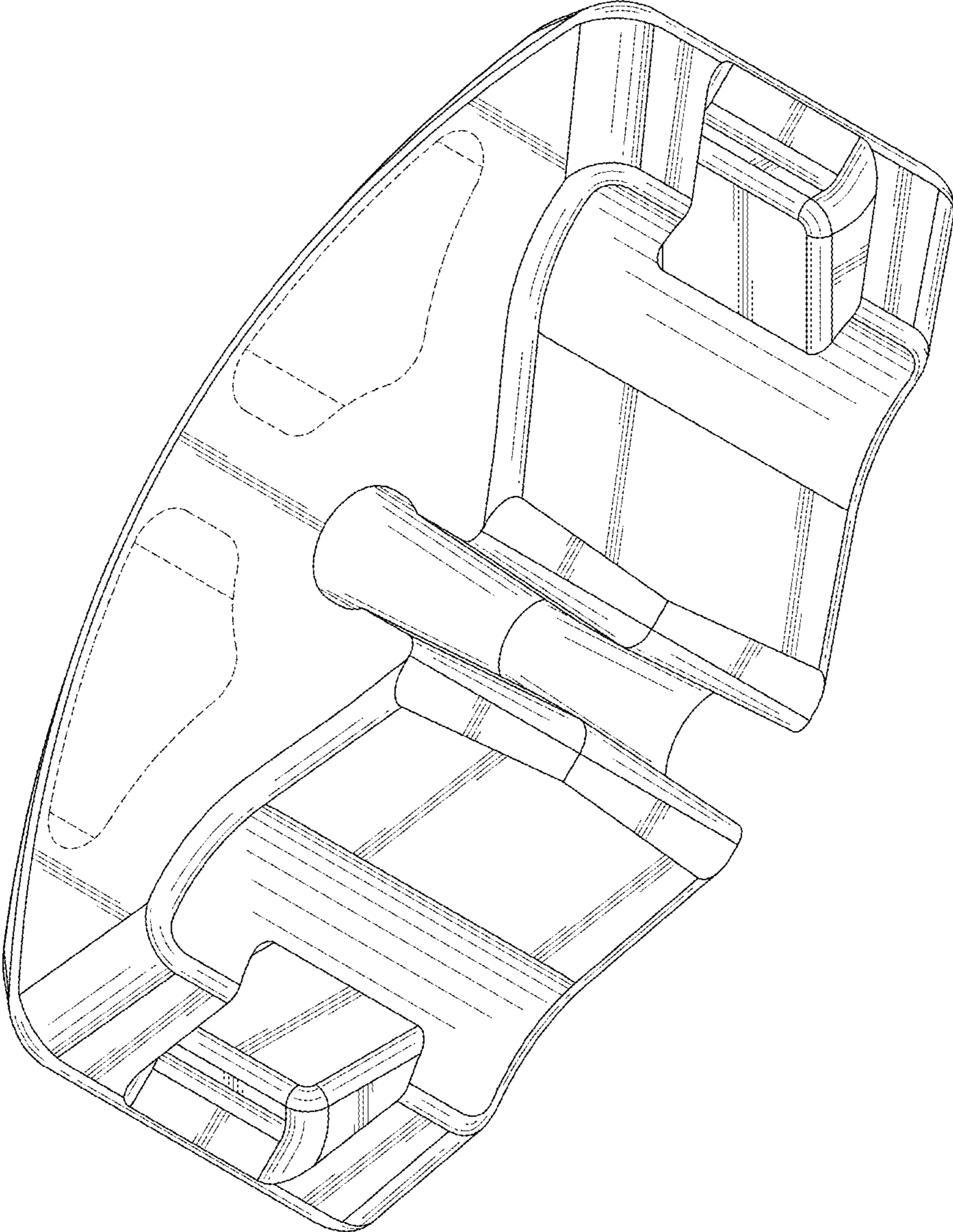


FIG. 2

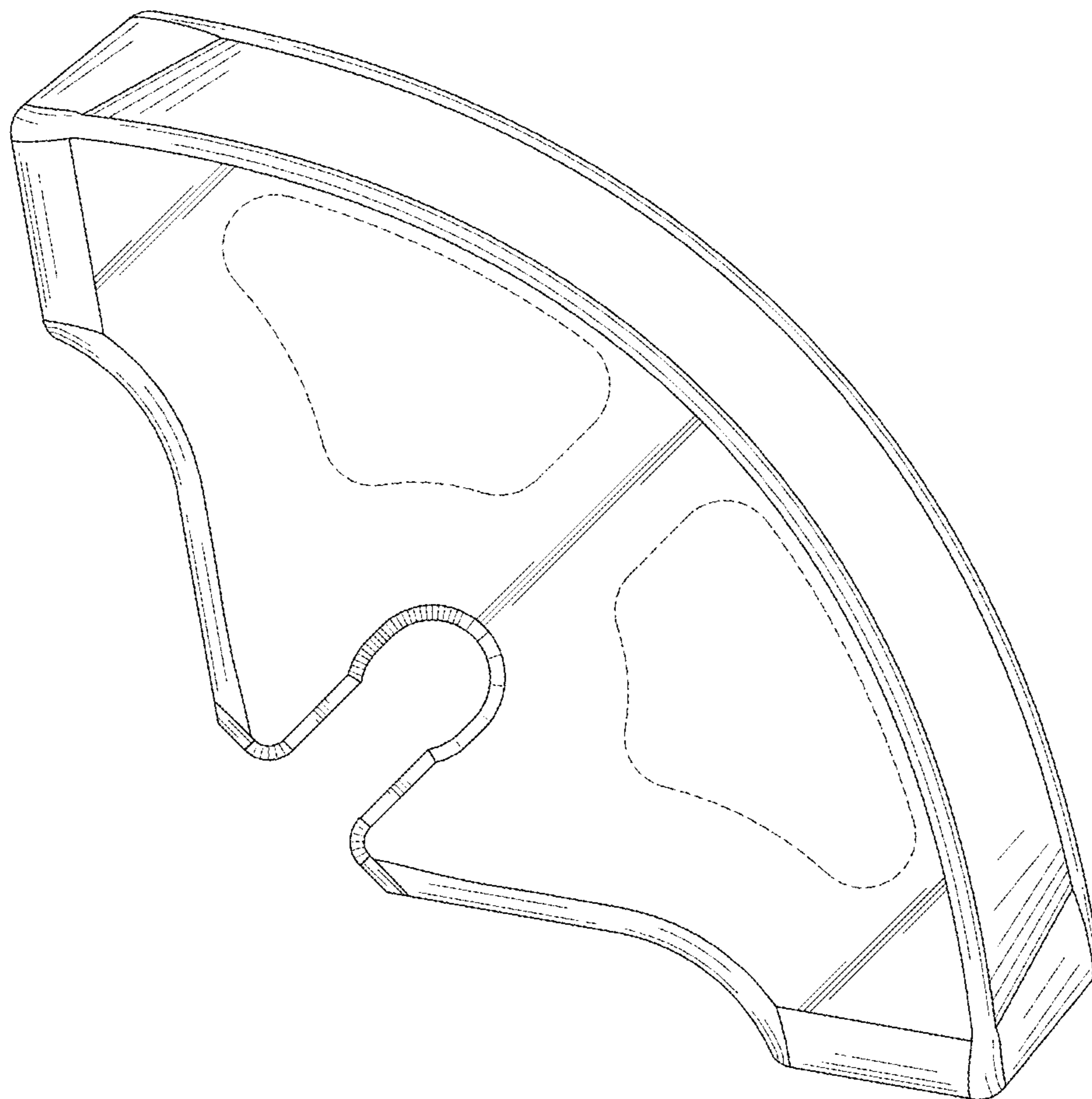


FIG. 3

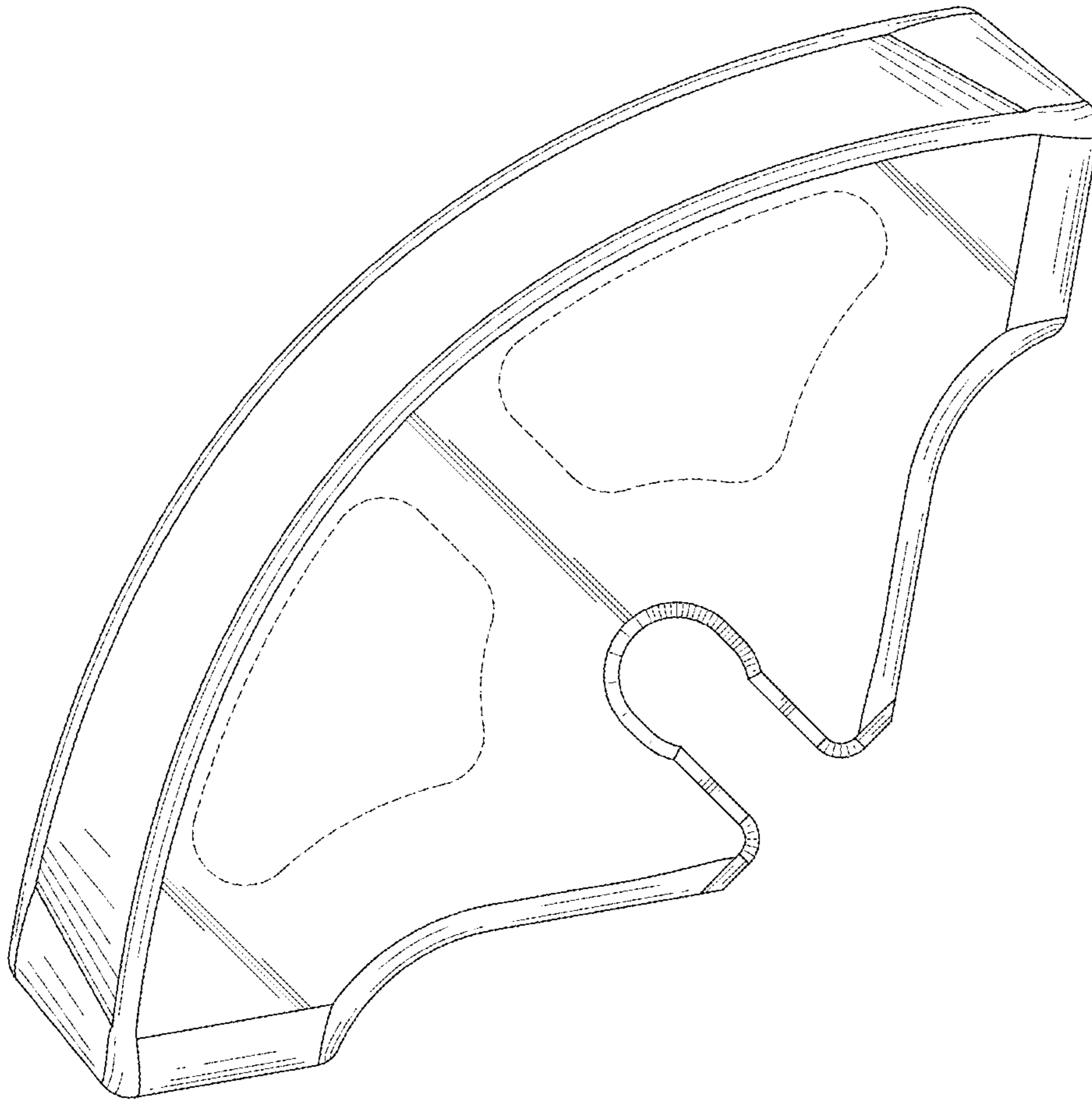


FIG. 4

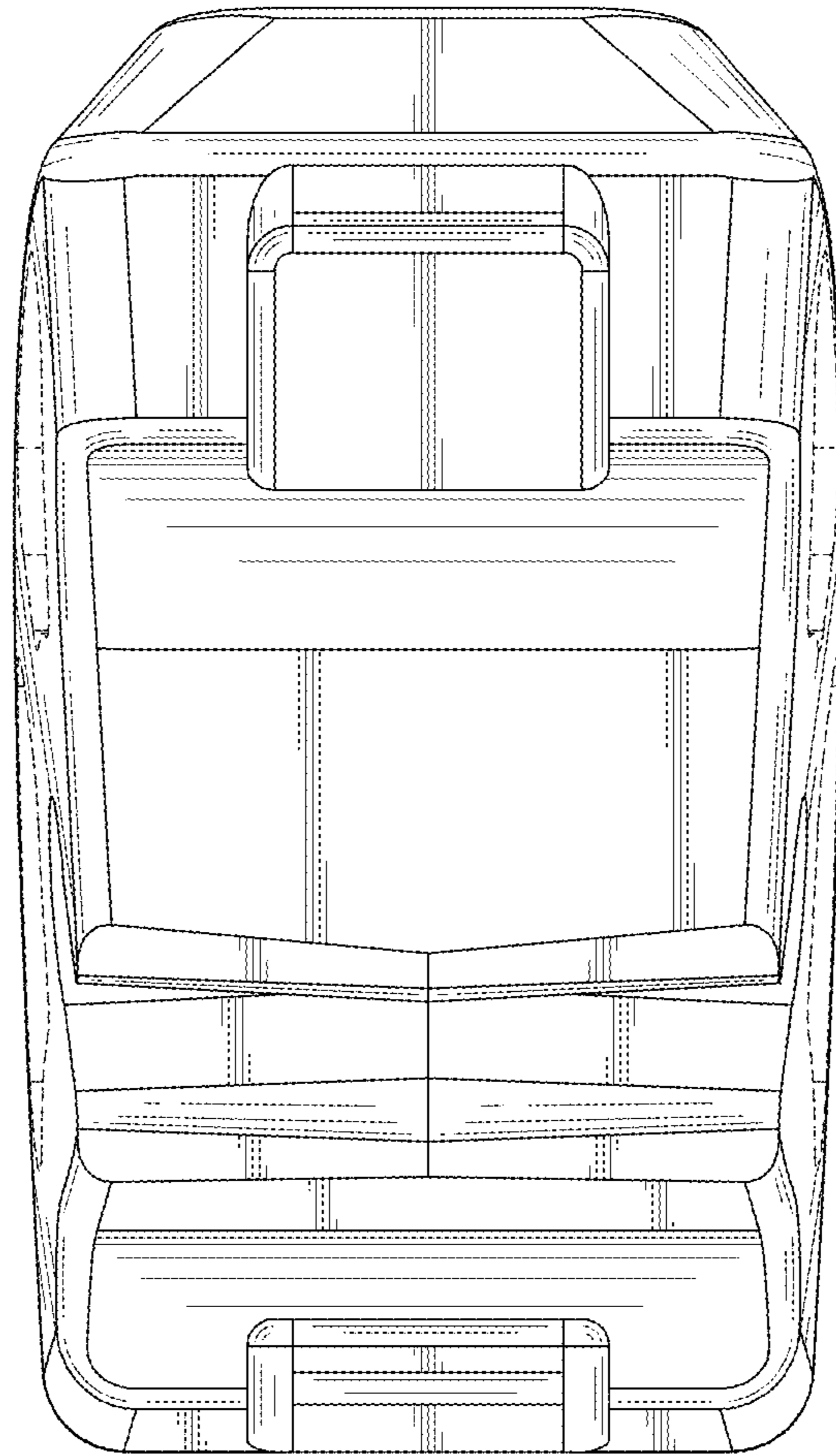


FIG. 5

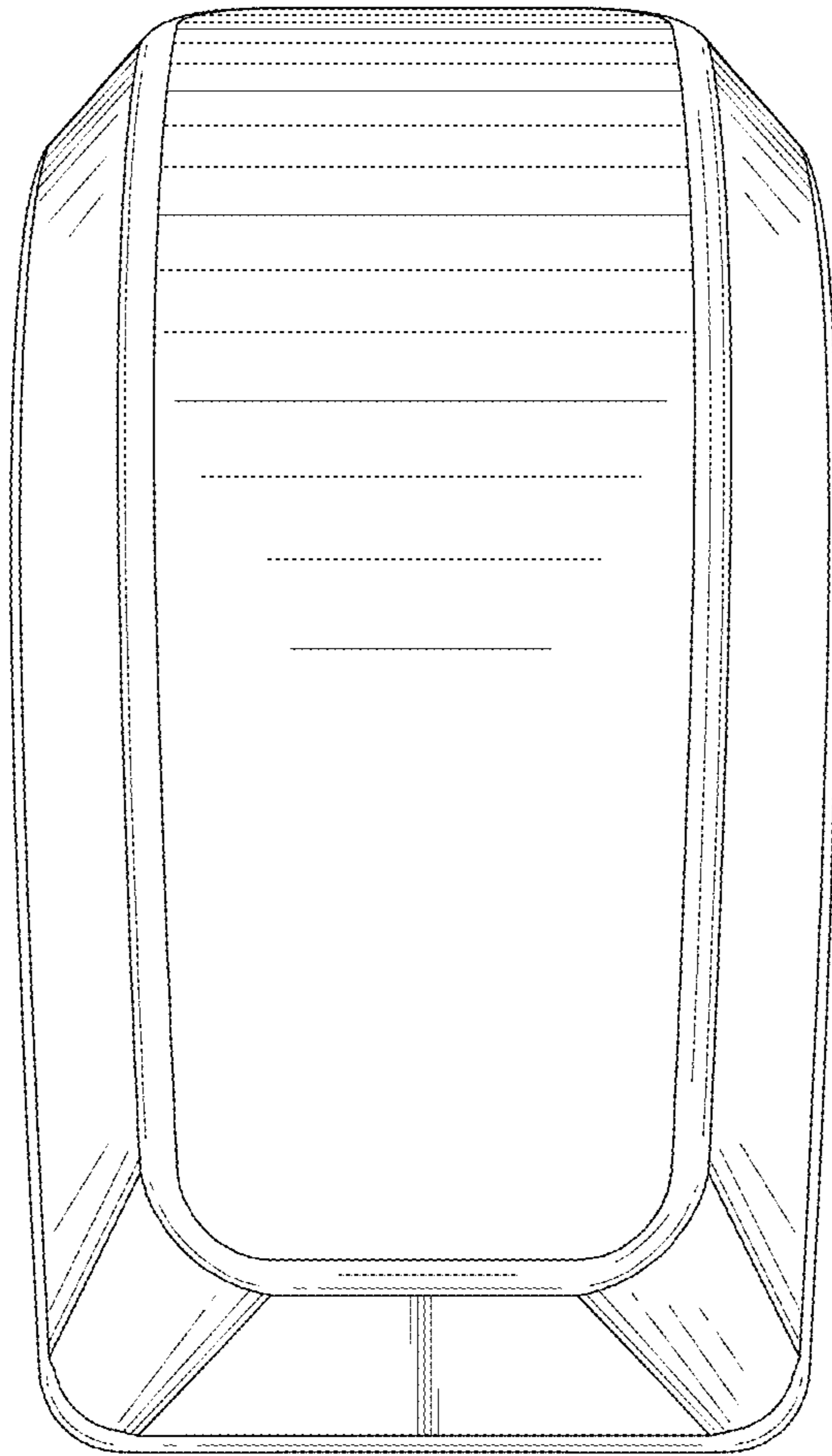


FIG. 6

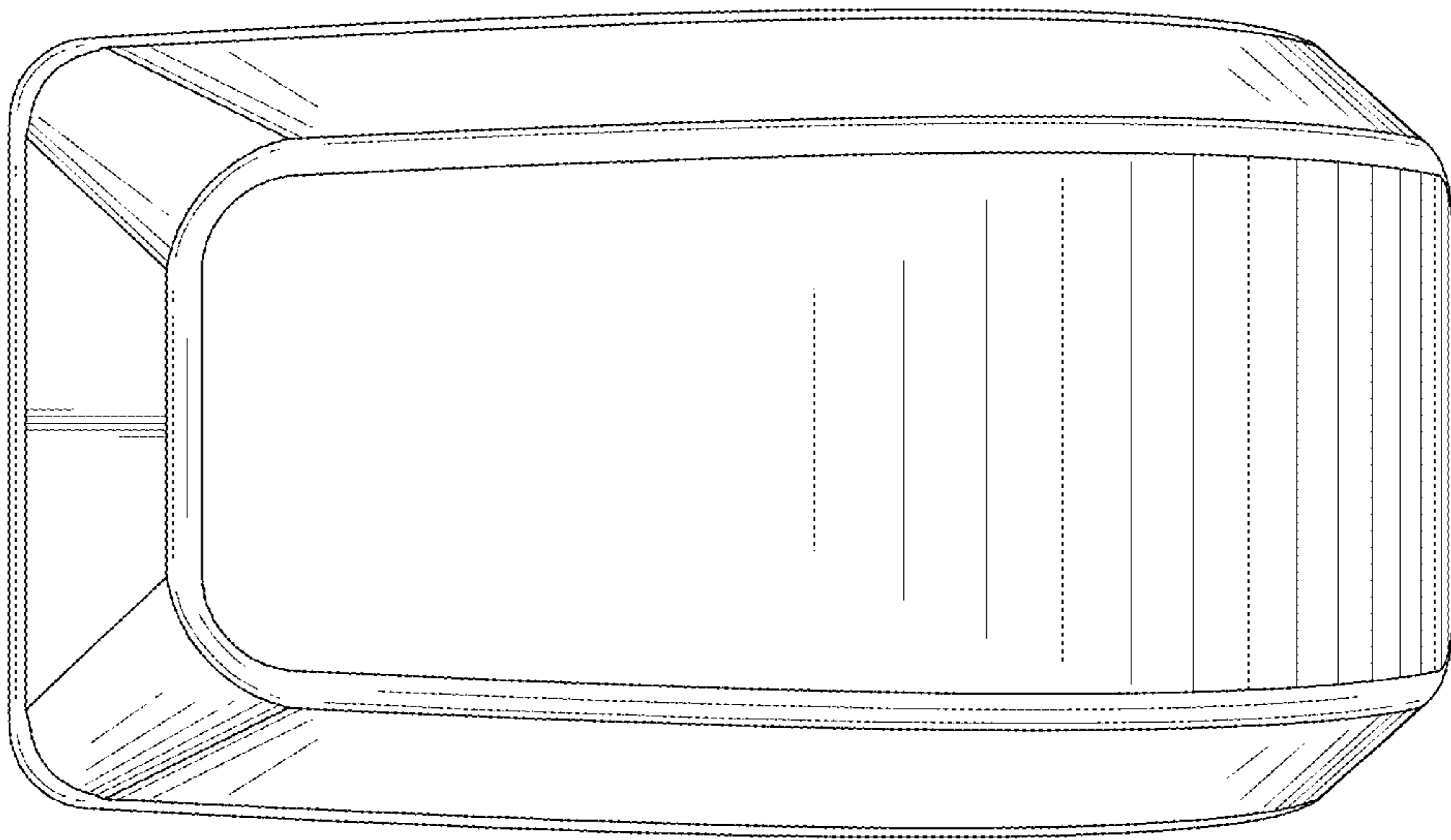


FIG. 7

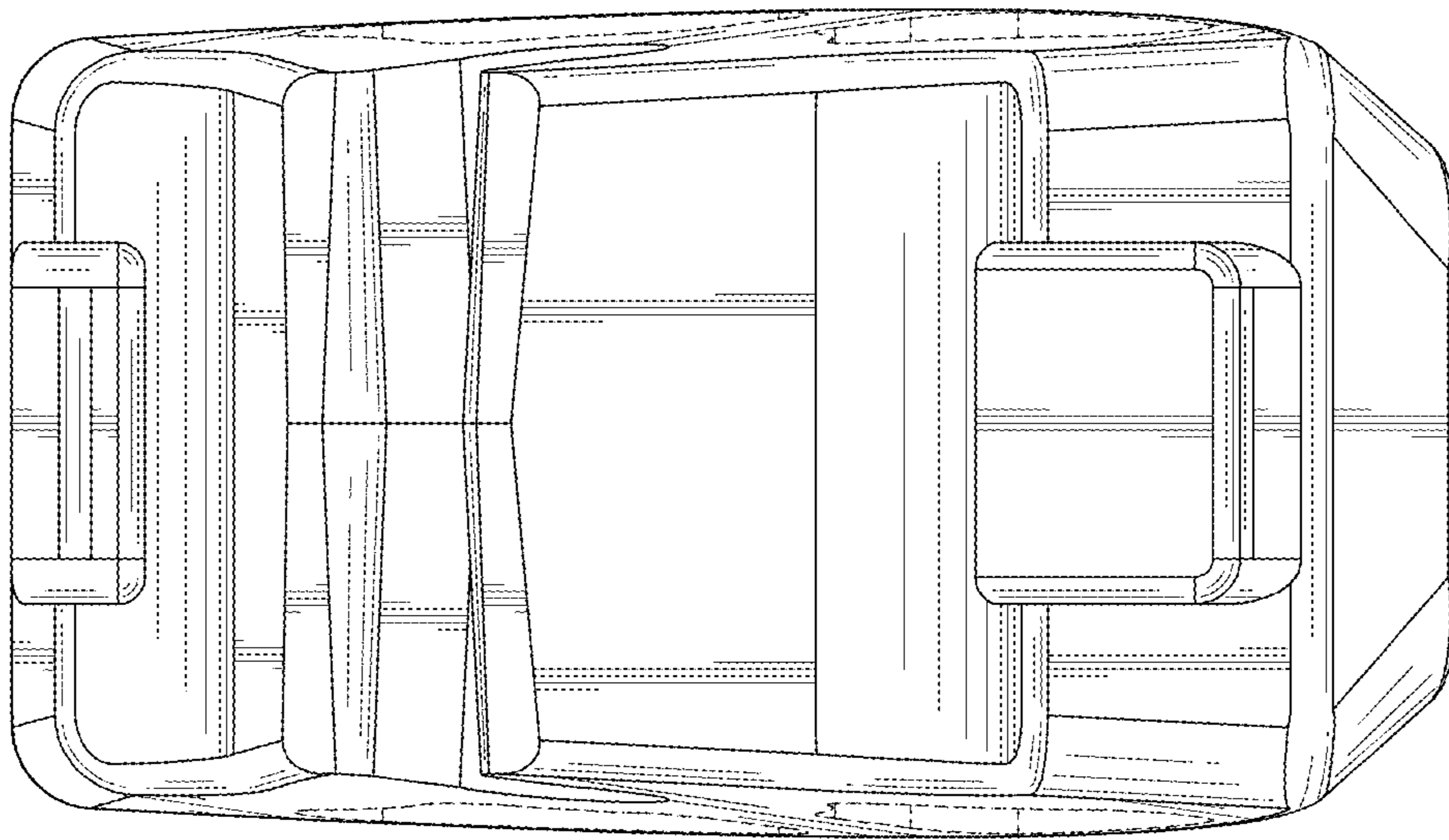


FIG. 8

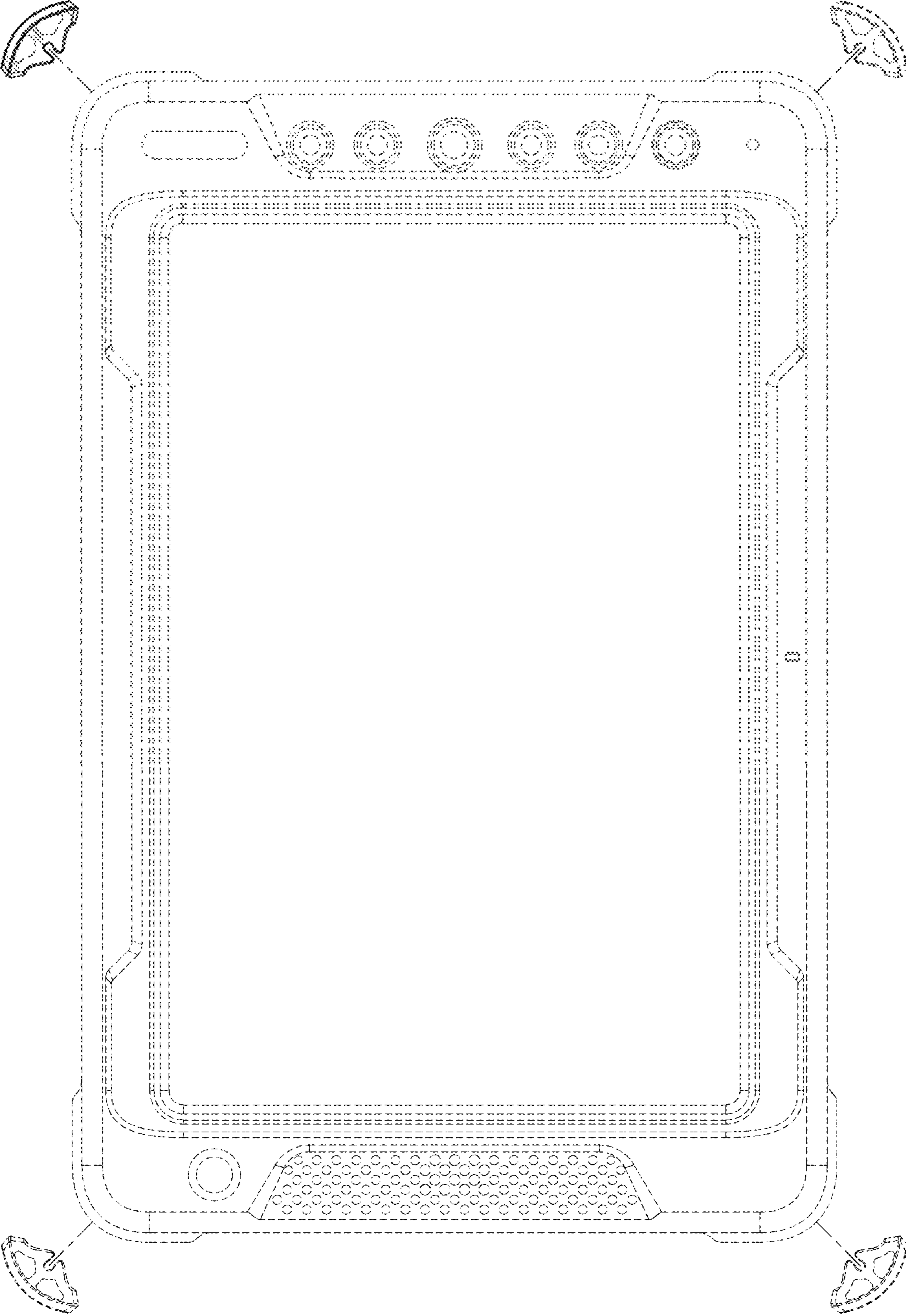


FIG. 9

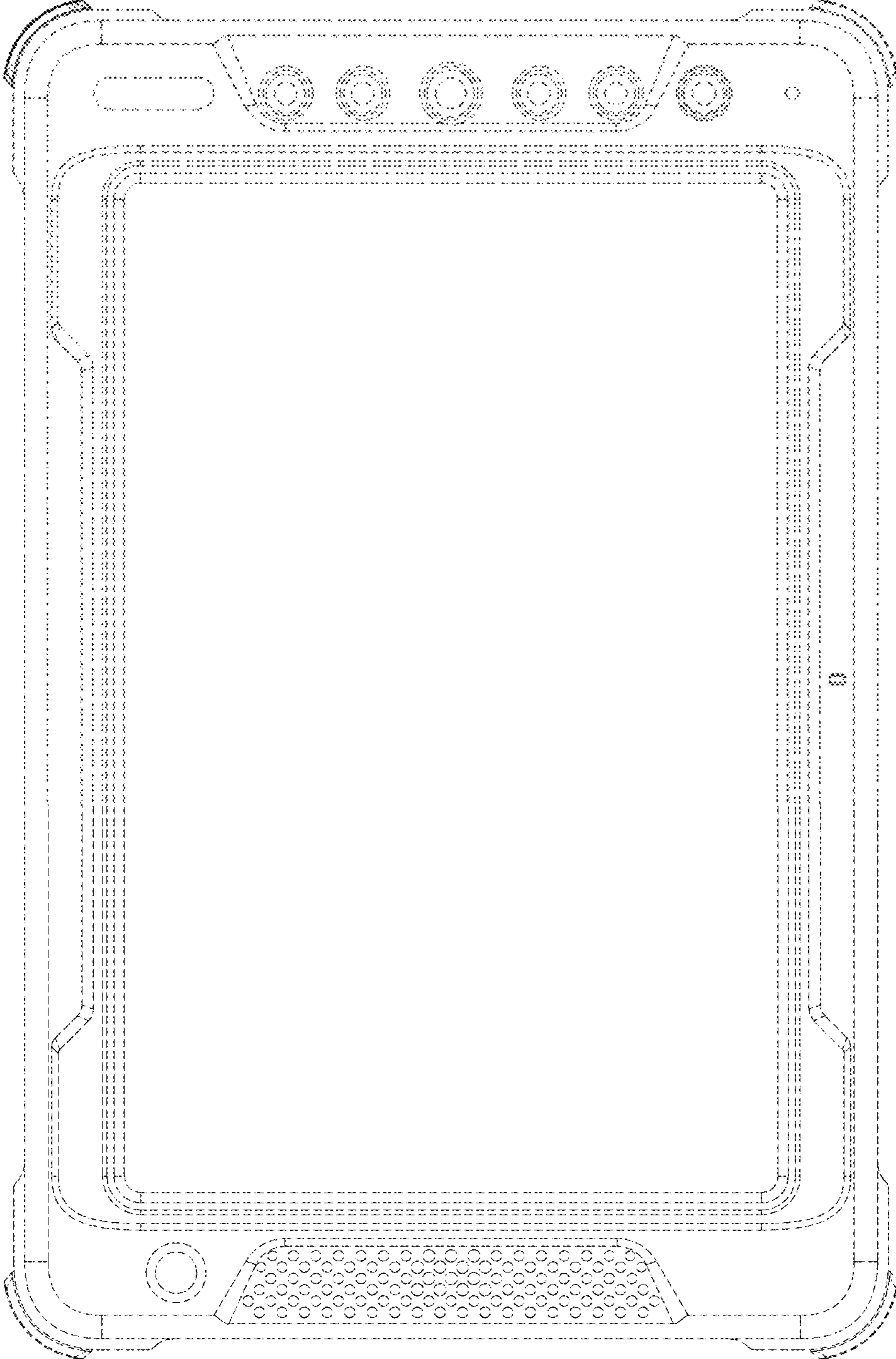


FIG. 10