



US00D875099S

(12) **United States Design Patent**  
**Jian**

(10) **Patent No.:** **US D875,099 S**

(45) **Date of Patent:** **\*\* Feb. 11, 2020**

(54) **PROTECTIVE COVER**

(71) Applicant: **SHENZHEN ROYOLE TECHNOLOGIES CO. LTD.**,  
Shenzhen, Guangdong (CN)

(72) Inventor: **Ting Jian**, Guangdong (CN)

(73) Assignee: **SHENZHEN ROYOLE TECHNOLOGIES CO., LTD.**,  
Shenzhen (CN)

(\*\*) Term: **15 Years**

(21) Appl. No.: **29/650,851**

(22) Filed: **Jun. 11, 2018**

(30) **Foreign Application Priority Data**

Dec. 27, 2017 (CN) ..... 2017 3 0675638

(51) **LOC (12) Cl.** ..... **14-02**

(52) **U.S. Cl.**  
USPC ..... **D14/440**

(58) **Field of Classification Search**  
USPC ..... D14/440, 447, 250; 206/45.23, 320,  
206/45.2; 361/679.55; 294/25; 224/218  
CPC .... G06F 1/1628; G06F 1/1626; A47B 23/044  
See application file for complete search history.

(56) **References Cited**

**U.S. PATENT DOCUMENTS**

D761,267 S \* 7/2016 Chen ..... D14/345  
D767,574 S \* 9/2016 Wall ..... D14/440

D800,732 S \* 10/2017 Dang ..... D14/440  
D811,411 S \* 2/2018 Moore ..... D14/440  
D835,088 S \* 12/2018 Zhuang ..... D14/250  
D837,792 S \* 1/2019 Kim ..... D14/440  
D837,793 S \* 1/2019 Ham ..... D14/440  
D853,401 S \* 7/2019 Moore ..... D14/440  
2011/0290687 A1\* 12/2011 Han ..... A45C 3/02  
206/320  
2016/0011628 A1\* 1/2016 Sato ..... G06F 1/1656  
361/679.3

\* cited by examiner

*Primary Examiner* — Cynthia R Underwood

(74) *Attorney, Agent, or Firm* — Hauptman Ham, LLP

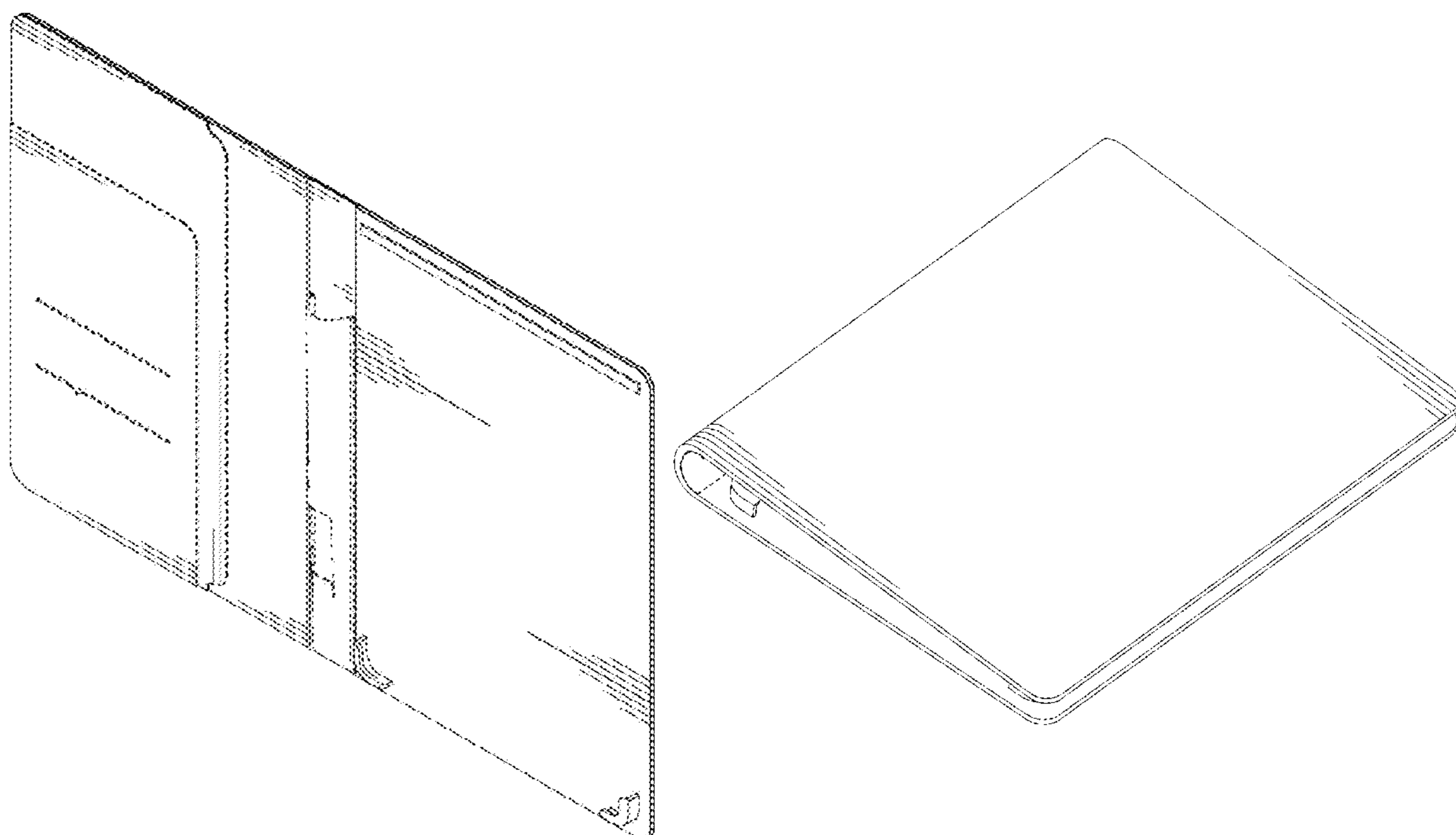
(57) **CLAIM**

The ornamental design for a protective cover, as shown and described.

**DESCRIPTION**

FIG. 1 is a front view of a protective cover bearing the design;  
FIG. 2 is a back view thereof;  
FIG. 3 is a left side view thereof;  
FIG. 4 is a right side view thereof;  
FIG. 5 is a top view thereof;  
FIG. 6 is a bottom view thereof;  
FIG. 7 is a front-top-right perspective view thereof; and,  
FIG. 8 is a perspective view thereof in a folded state.  
The broken lines shown in the drawings illustrate portions of the protective cover and form no part of the claimed design.

**1 Claim, 5 Drawing Sheets**



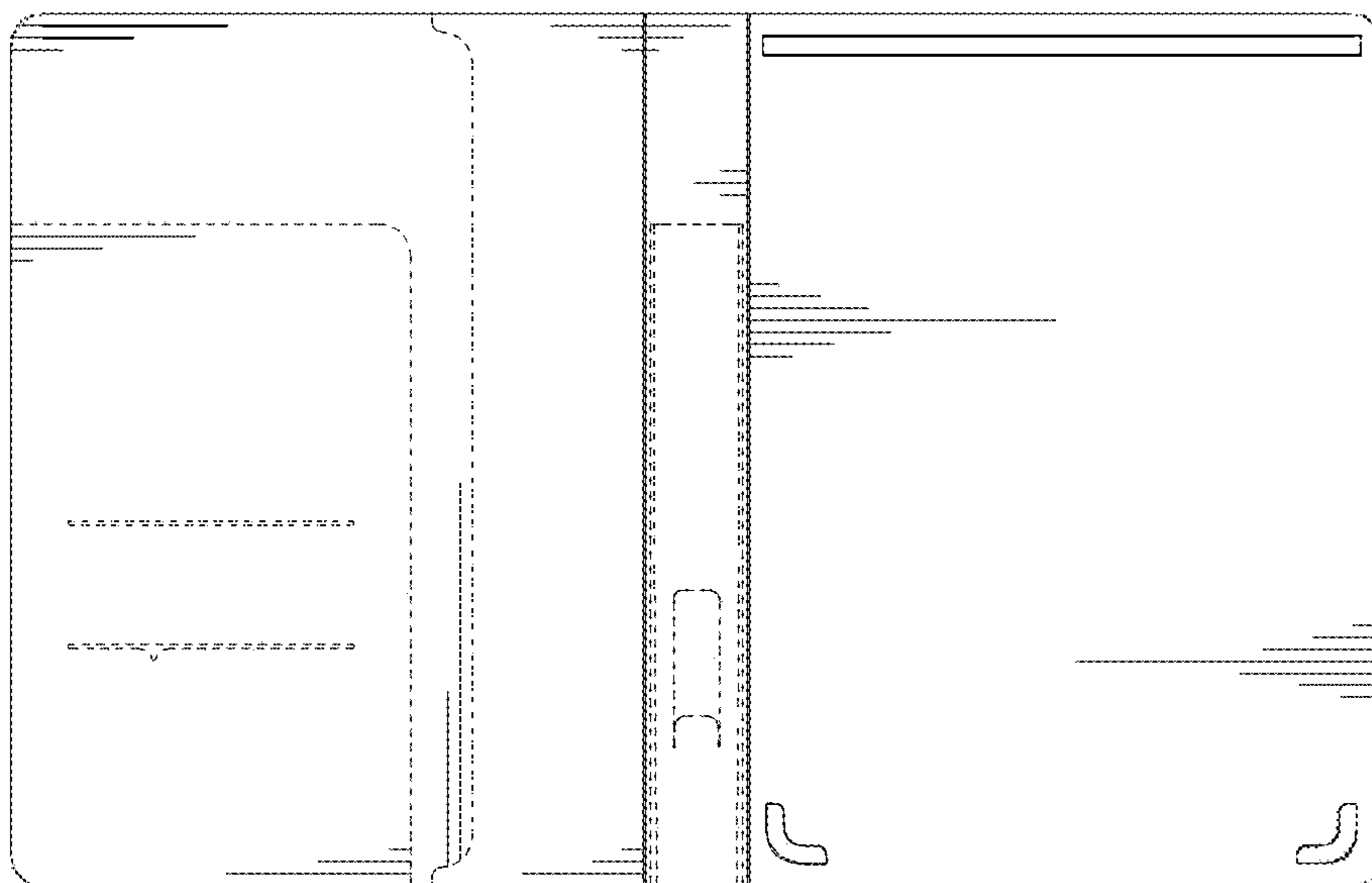


FIG. 1

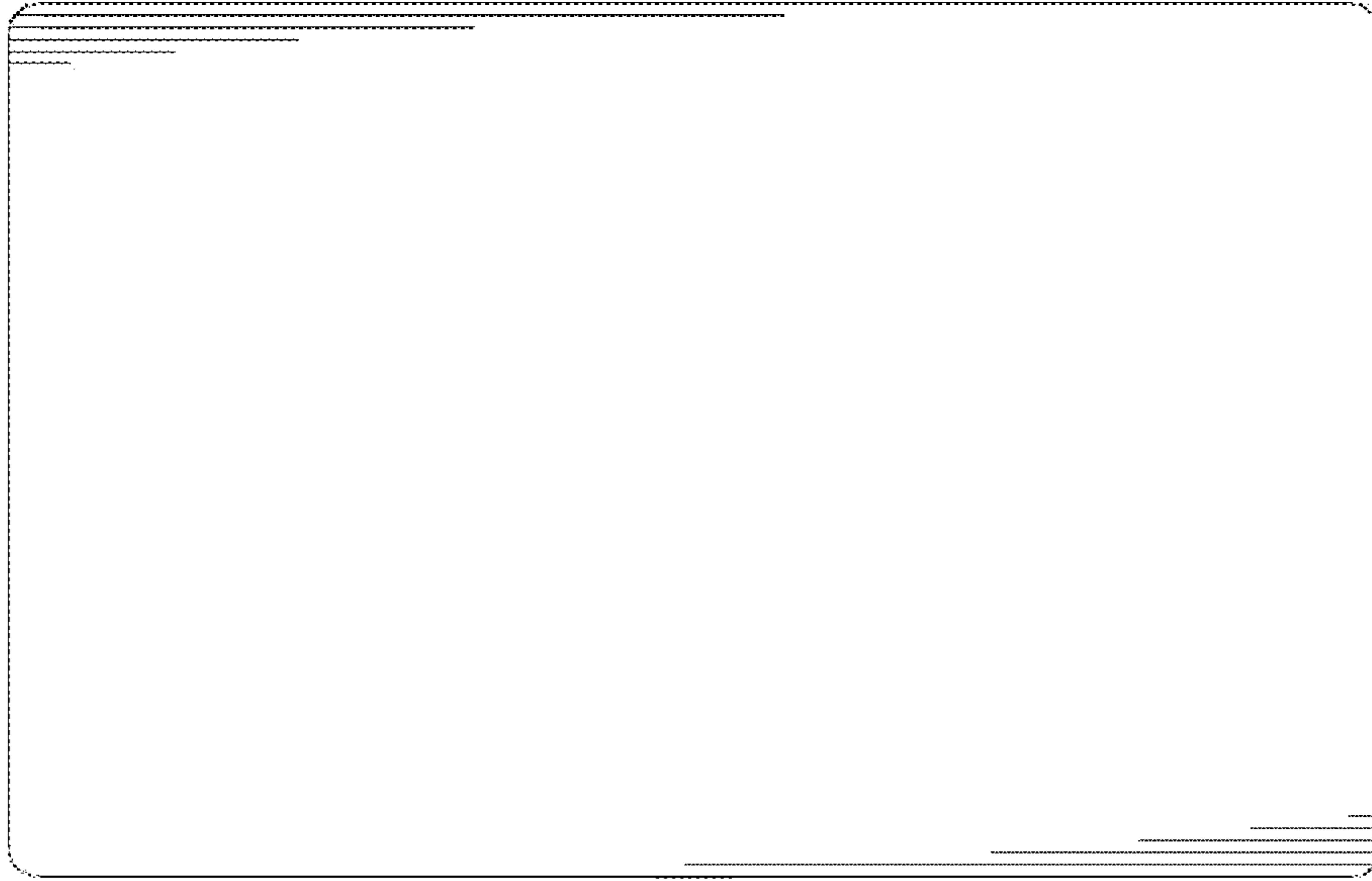


FIG. 2

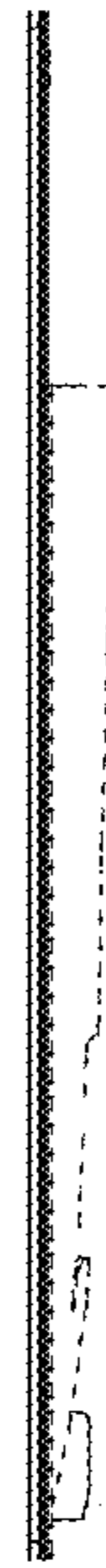


FIG. 3

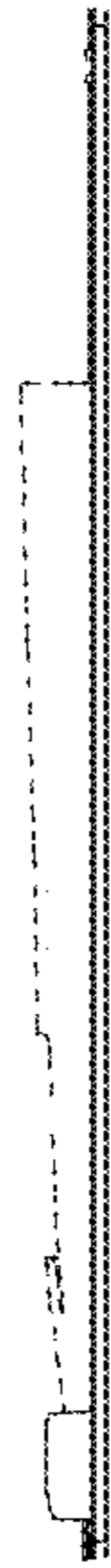


FIG. 4



FIG. 5



FIG. 6

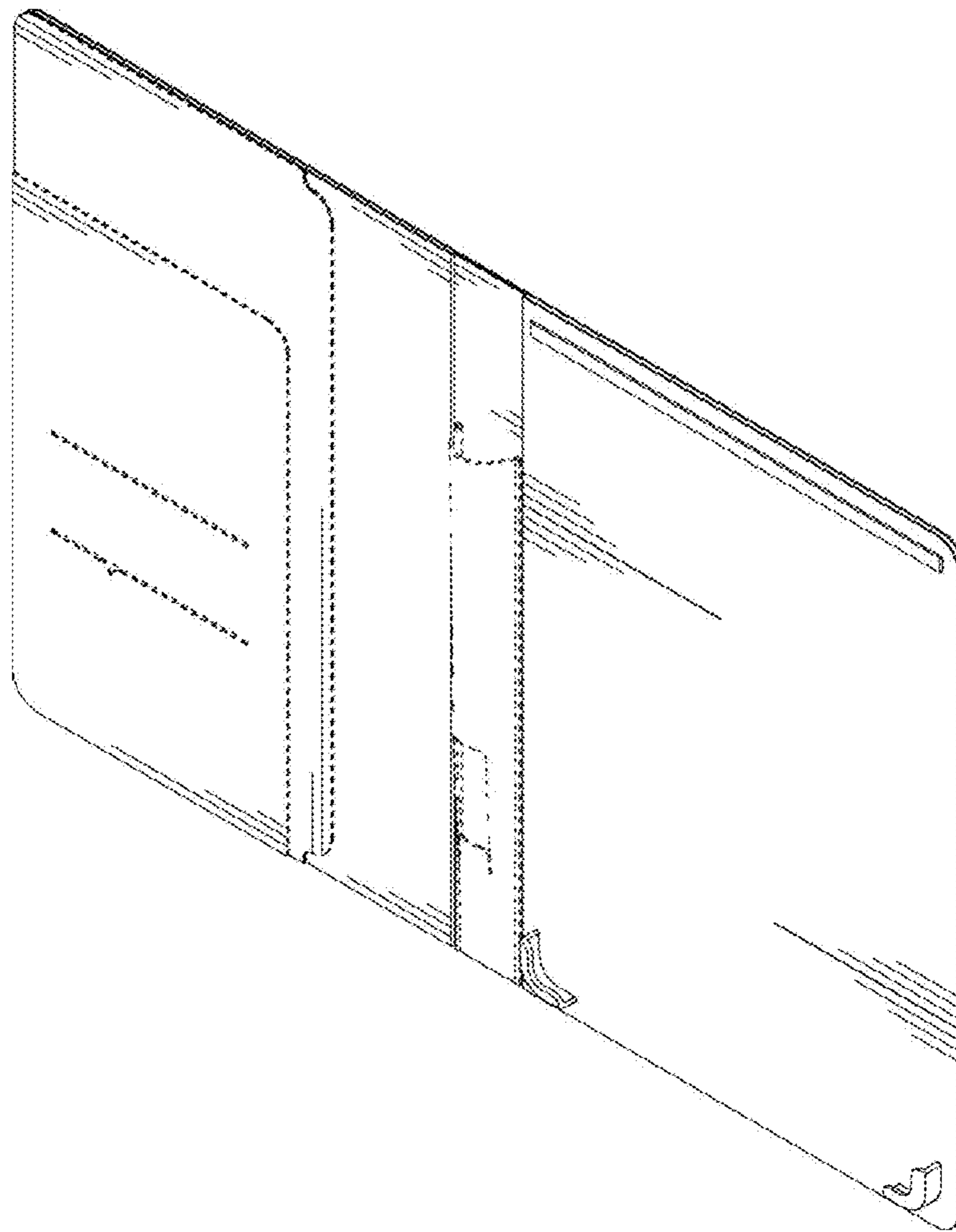


FIG. 7

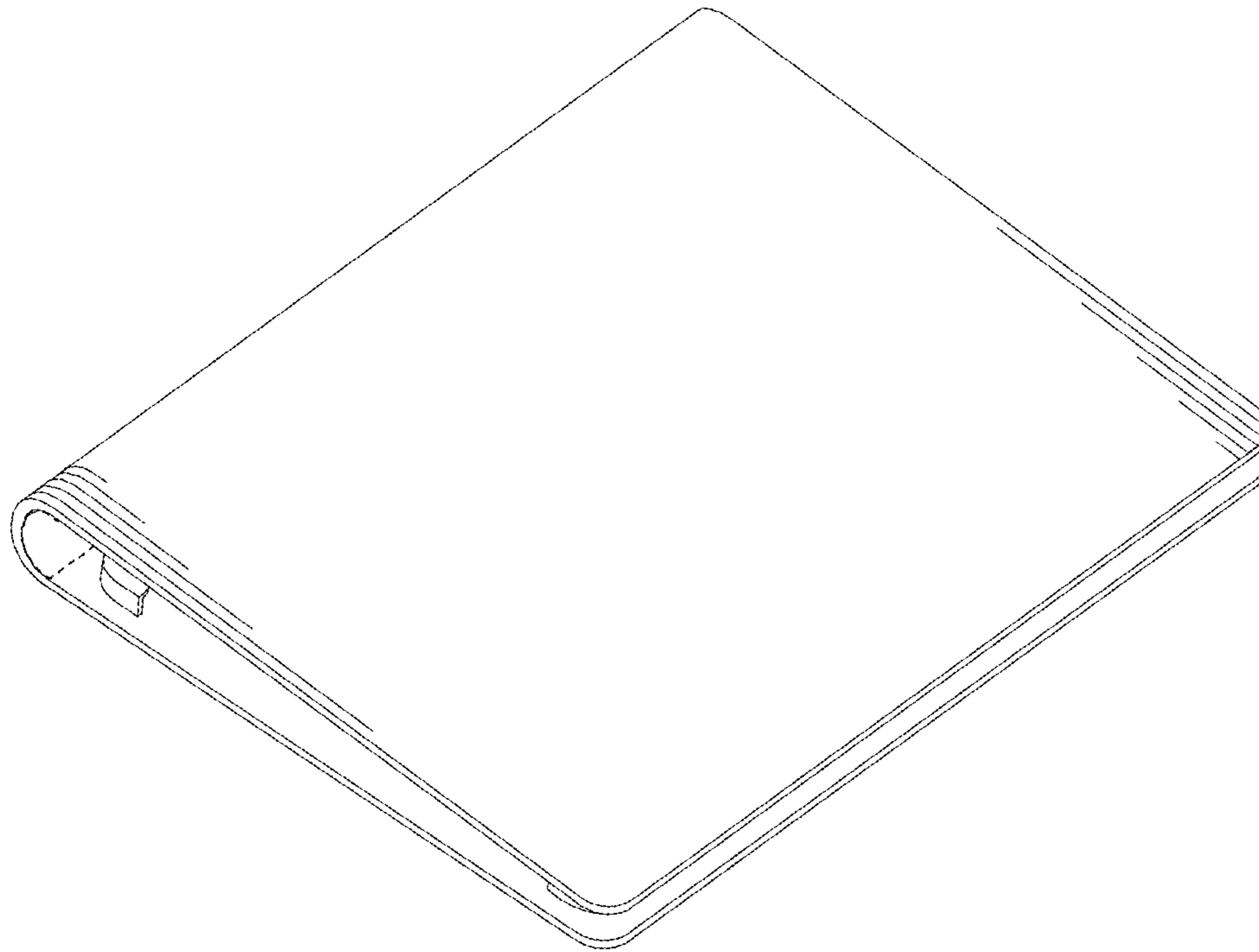


FIG. 8