



US00D875098S

(12) **United States Design Patent** (10) **Patent No.:** **US D875,098 S**
Duffy (45) **Date of Patent:** **** *Feb. 11, 2020**

(54) **TWO PART MOBILE ELECTRONIC DEVICE CASE**

(71) Applicant: **Peter Duffy**, Ventura, CA (US)

(72) Inventor: **Peter Duffy**, Ventura, CA (US)

(*) Notice: This patent is subject to a terminal disclaimer.

(**) Term: **15 Years**

(21) Appl. No.: **29/588,922**

(22) Filed: **Dec. 23, 2016**

(51) **LOC (12) Cl.** **14-02**

(52) **U.S. Cl.**
USPC **D14/440**

(58) **Field of Classification Search**
USPC D14/440, 250, 447; 206/45.23, 320,
206/45.2; 361/679.55; 294/25; 224/218
CPC ... G06F 1/1628; G06F 1/1626; A47B 23/044;
H04B 1/3888
See application file for complete search history.

(56) **References Cited**

U.S. PATENT DOCUMENTS

- 8,256,612 B1 * 9/2012 Wang A45C 11/00
206/320
- D676,851 S * 2/2013 Finnegan D14/440
- D692,006 S * 10/2013 Fujioka D14/440
- D693,350 S * 11/2013 Mish D14/440
- D754,133 S * 4/2016 Chen D14/440
- 9,675,166 B2 * 6/2017 Mick A45F 5/102

- 2012/0327593 A1* 12/2012 Finnegan A45F 5/00
361/679.56
- 2013/0065647 A1* 3/2013 Williams G06F 3/0416
455/566
- 2014/0128132 A1* 5/2014 Cox, III H04B 1/3888
455/575.8

* cited by examiner

Primary Examiner — Cynthia R Underwood
(74) *Attorney, Agent, or Firm* — Carolin K. Shining

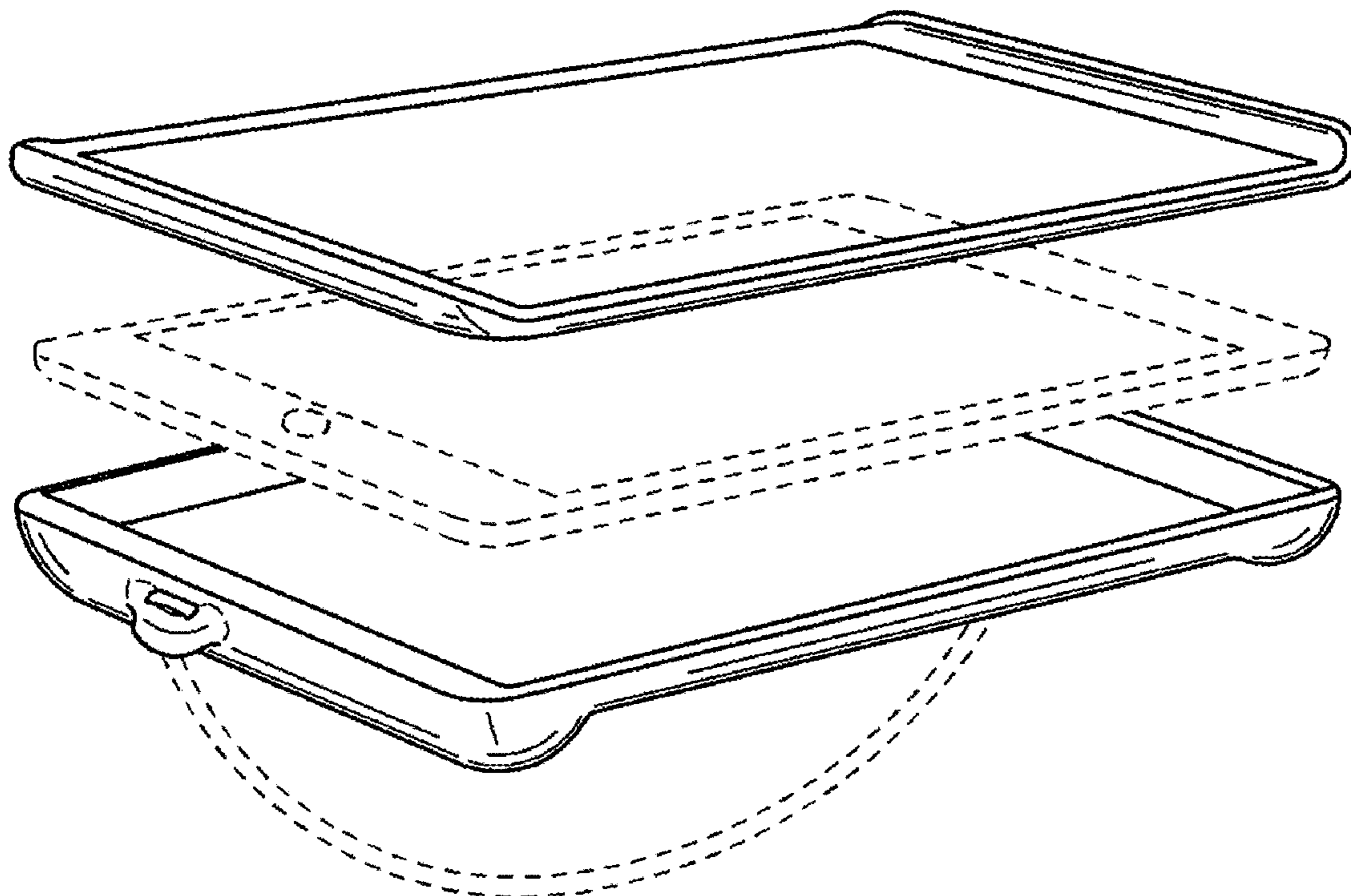
(57) **CLAIM**

The ornamental design for a two part mobile electronic device case, as shown and described.

DESCRIPTION

FIG. 1 is a top front angular view, in accordance with present invention;
 FIG. 2 is a bottom front angular view, in accordance with present invention;
 FIG. 3 is a frontal view, in accordance with present invention;
 FIG. 4 is a left side view, in accordance with present invention;
 FIG. 5 is the top view, in accordance with present invention;
 FIG. 6 is the bottom view, in accordance with present invention; and,
 FIG. 7 is a top front angular view showing the two part mobile electronic device case pulled apart and with an encased electronic device.
 The broken lines represent supporting straps, an electronic device and environment; none form any part of the claim.

1 Claim, 5 Drawing Sheets



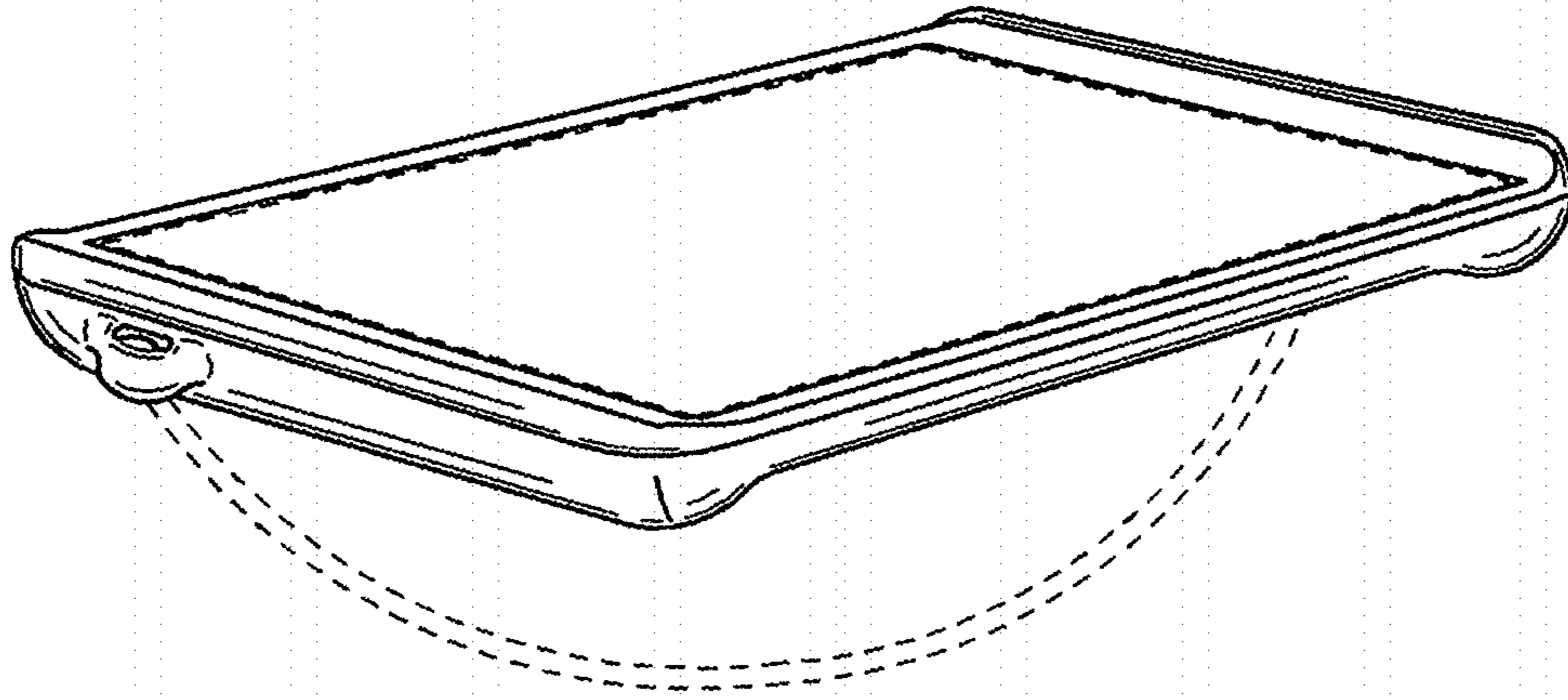


FIG. 1

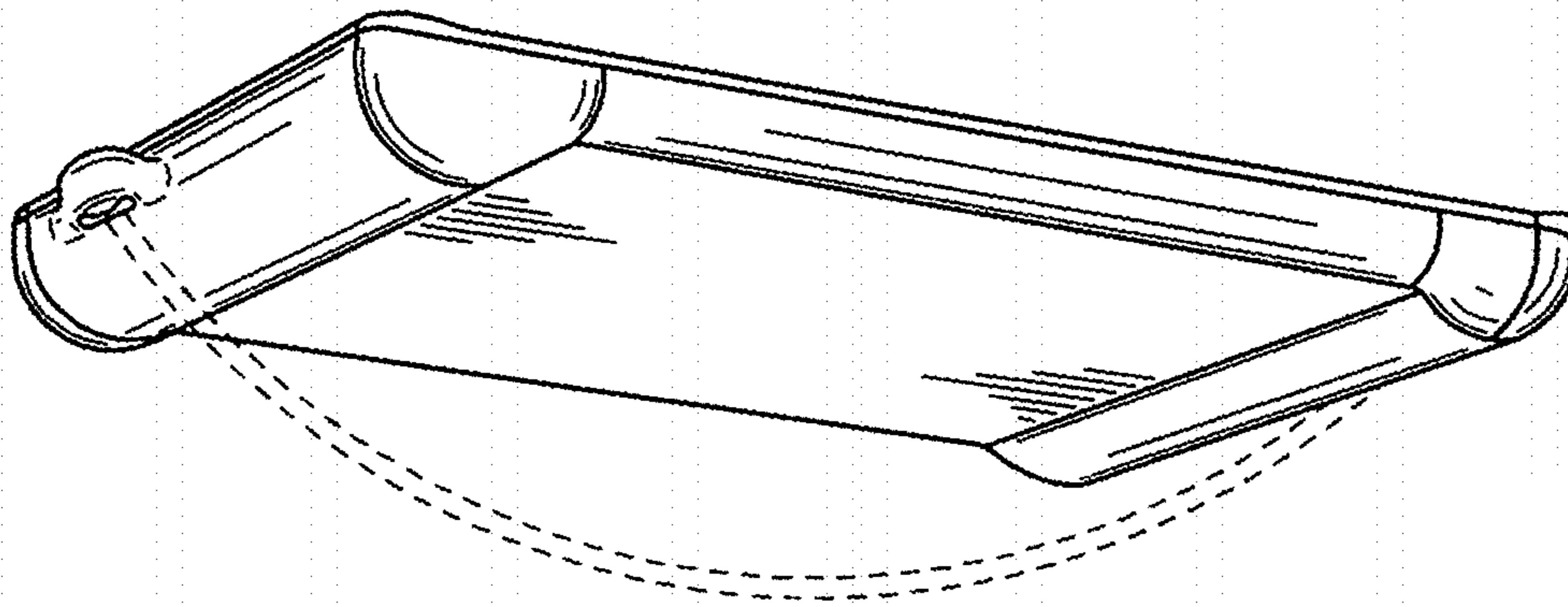


FIG. 2

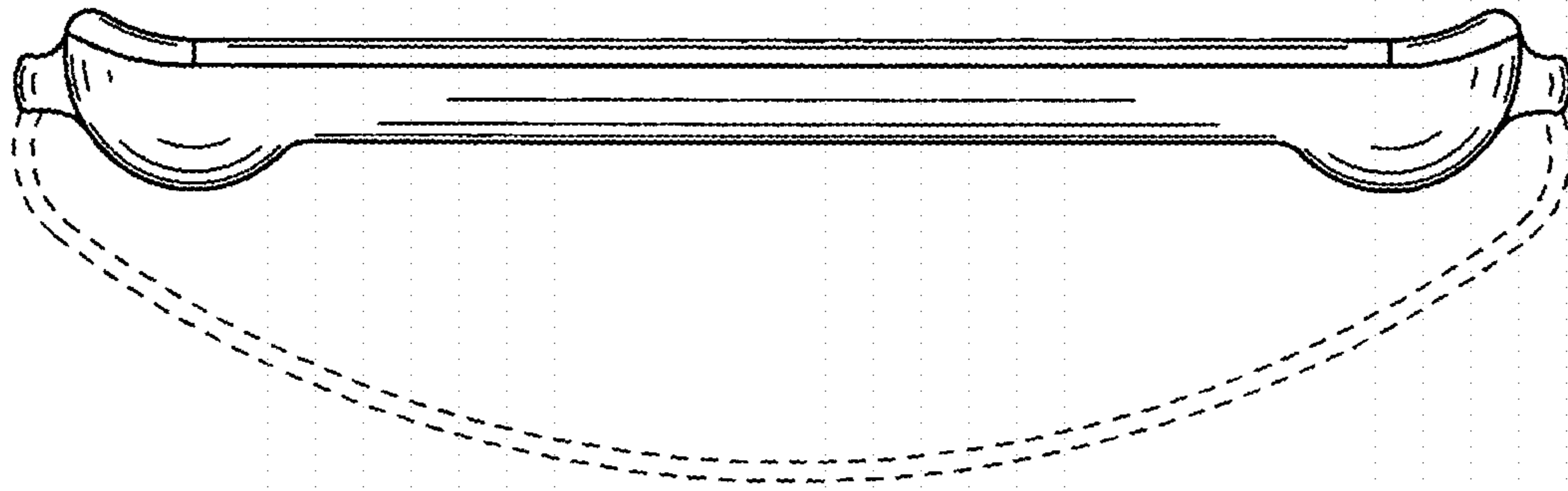


FIG. 3

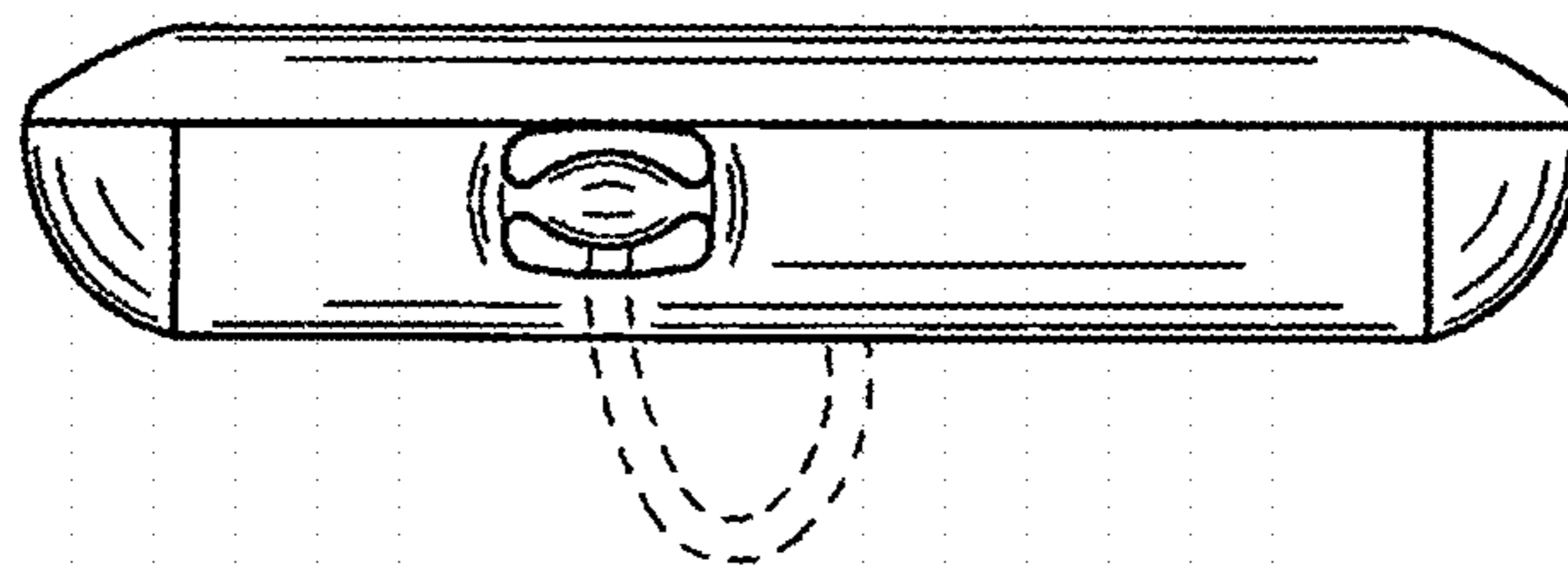


FIG. 4

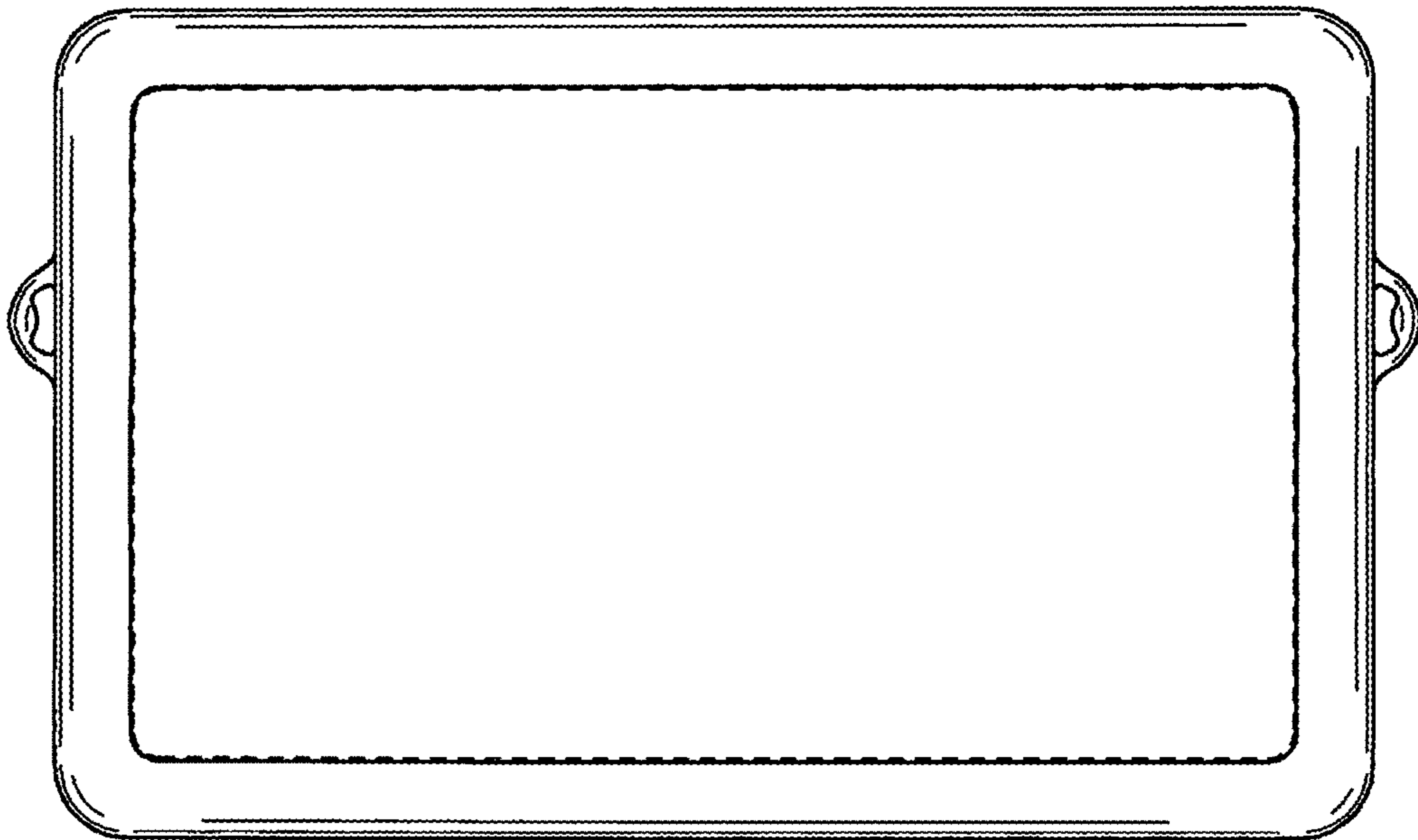


FIG. 5

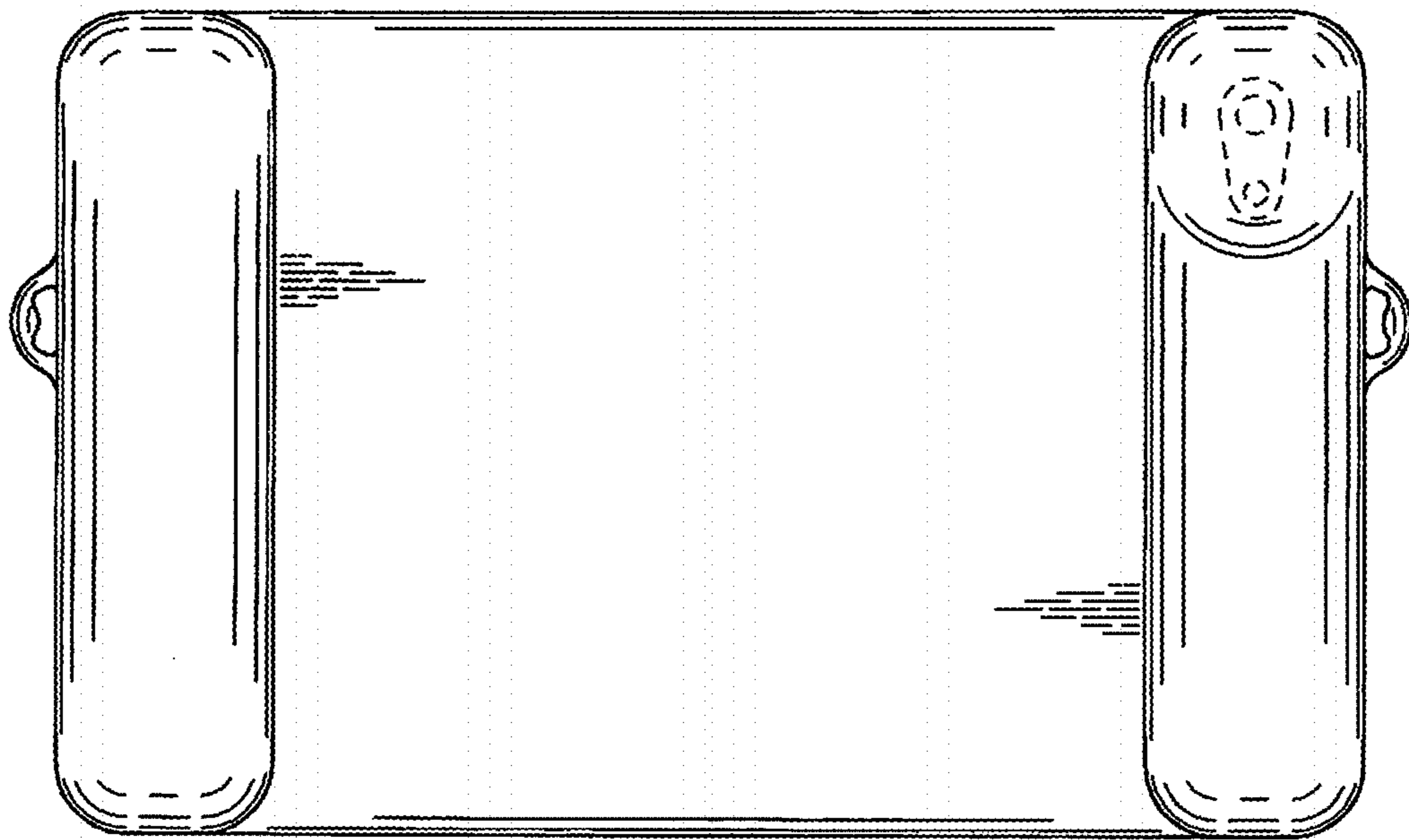


FIG. 6

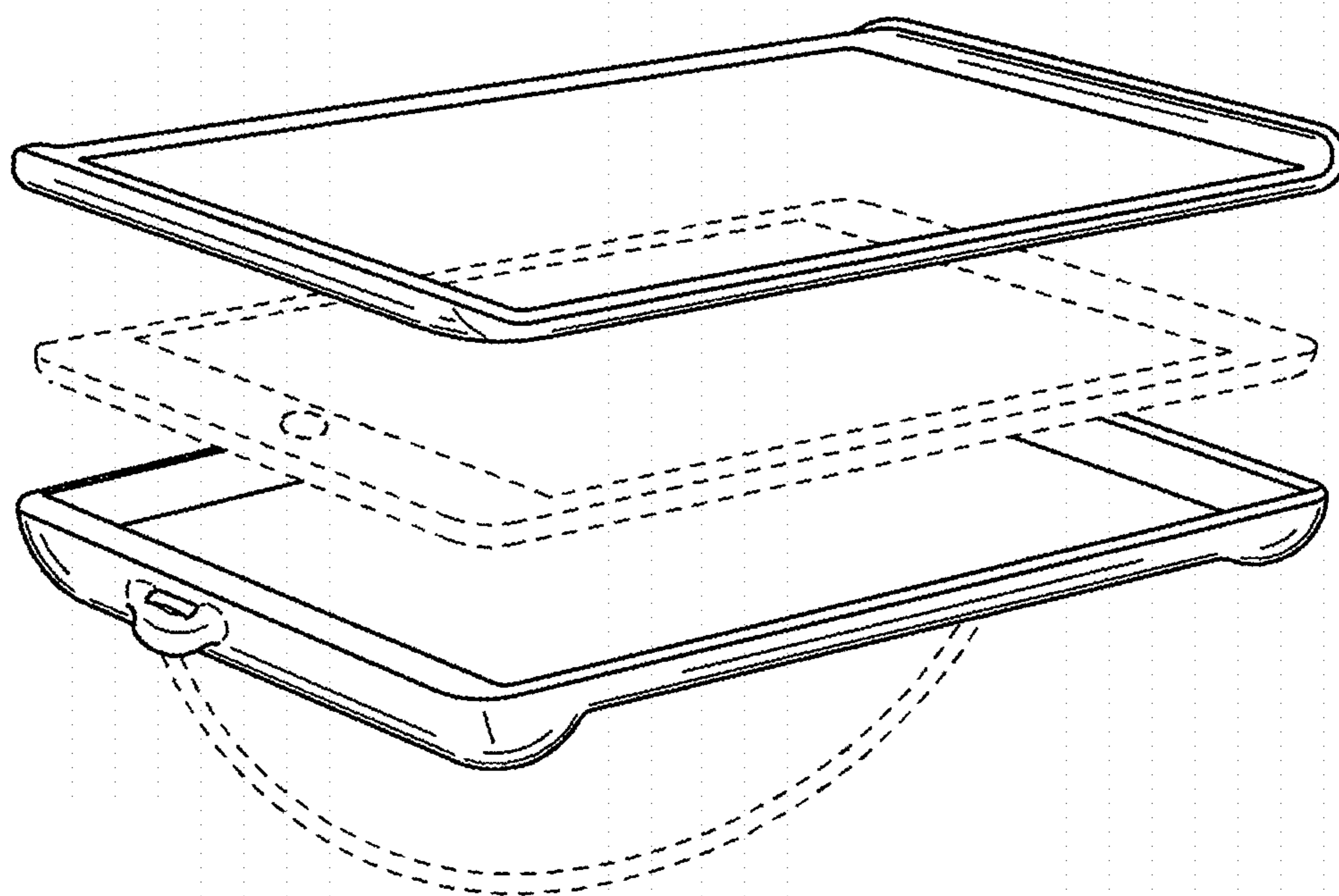


FIG. 7