



US00D875095S

(12) **United States Design Patent**
Gan

(10) **Patent No.:** **US D875,095 S**
(45) **Date of Patent:** **** Feb. 11, 2020**

(54) **ELECTRONIC PHOTO FRAME**

FOREIGN PATENT DOCUMENTS

(71) Applicant: **Shenzhen Valuelink E-Commerce Co., Ltd.**, Shenzhen (CN)

CN 301234586 * 5/2010
CN 303297826 * 7/2015

(Continued)

(72) Inventor: **Qing-Cao Gan**, Shenzhen (CN)

OTHER PUBLICATIONS

(73) Assignee: **Shenzhen Valuelink E-Commerce Co., Ltd.**, Shenzhen (CN)

7 inch Digital Photo Frame DPF-721, brand not listed, business-ct.com, author not listed, published on Sep. 6, 2017 per wayback machine © CT Business Limited, online, site visited Jul. 31, 2019. Available from Internet, URL: <http://www.business-ct.com/html/product/2017-6-8/239.html> (Year: 2017).*

(Continued)

(**) Term: **15 Years**

(21) Appl. No.: **29/622,850**

(22) Filed: **Oct. 20, 2017**

(51) **LOC (12) Cl.** **14-02**

(52) **U.S. Cl.**
USPC **D14/374; D6/308**

(58) **Field of Classification Search**
USPC D14/300–302, 305, 307, 314, 336–337, D14/371, 374–384, 388–389, 448, D14/450–451; 40/406, 427; D24/137–138, 160, 186; D20/39, 41–42; D6/300, 308, 310

CPC E04H 1/1272; E04H 1/1222; G09F 13/00; G09F 9/00; G09F 9/3023; G09F 9/3026

See application file for complete search history.

Primary Examiner — Marissa J Cash

Assistant Examiner — Altaira J Swangin

(74) *Attorney, Agent, or Firm* — ScienBiziP, P.C.

(57) **CLAIM**

The ornamental design for an electronic photo frame, as shown and described.

DESCRIPTION

FIG. 1 is a top, front right perspective view of an electronic photo frame, showing the design;

FIG. 2 is a bottom, rear right perspective view of the electronic photo frame of FIG. 1;

FIG. 3 is a front elevational view of the electronic photo frame of FIG. 1;

FIG. 4 is a rear elevational view of the electronic photo frame of FIG. 1;

FIG. 5 is a left side elevational view of the electronic photo frame of FIG. 1;

FIG. 6 is a right side elevational view of the electronic photo frame of FIG. 1;

FIG. 7 is a top plan view of the electronic photo frame of FIG. 1; and,

FIG. 8 is a bottom plan view of the electronic photo frame of FIG. 1.

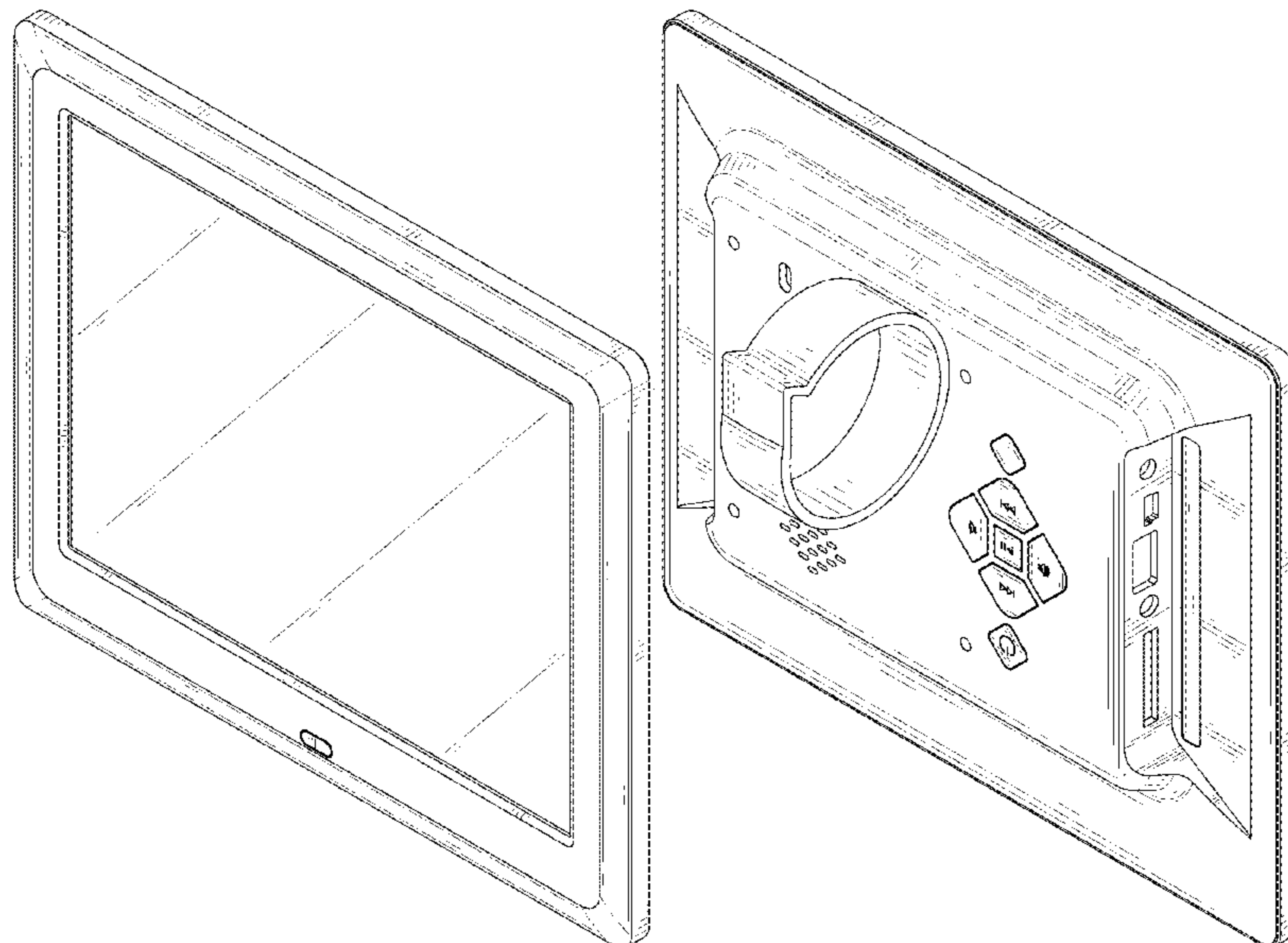
(56) **References Cited**

U.S. PATENT DOCUMENTS

D558,460 S * 1/2008 Yu D14/341
D560,371 S * 1/2008 Liu D6/300
D569,629 S * 5/2008 Yu D6/308
D570,610 S * 6/2008 Chuang D14/371
D572,025 S * 7/2008 Kwon D14/371
D583,572 S * 12/2008 Zhai D14/371
D592,863 S * 5/2009 Hoehn D6/310
D601,143 S * 9/2009 Oikawa D14/336
D601,814 S * 10/2009 Lissola D6/308

(Continued)

1 Claim, 8 Drawing Sheets



(56)

References Cited

U.S. PATENT DOCUMENTS

D602,259 S * 10/2009 Finnegan D14/371
 D609,018 S * 2/2010 Tzeng D14/371
 D609,782 S * 2/2010 Whatley D23/249
 D610,355 S * 2/2010 Chigira D14/374
 D613,076 S * 4/2010 Chyan D14/371
 D613,510 S * 4/2010 Tzeng D14/371
 D613,951 S * 4/2010 Tang D14/371
 D622,514 S * 8/2010 Park D6/308
 D634,131 S * 3/2011 Utsunomiya D6/308
 D636,187 S * 4/2011 Kim D6/308
 D637,822 S * 5/2011 Utsunomiya D6/308
 D729,793 S * 5/2015 Hickok D14/126
 D744,479 S * 12/2015 Haller D14/336
 D756,358 S * 5/2016 Jagoe D14/375
 D762,644 S * 8/2016 Maffetone D14/371
 D834,429 S * 11/2018 Jiang D10/3
 D861,177 S * 9/2019 Kim D24/186
 D862,250 S * 10/2019 Xie D10/24
 D862,909 S * 10/2019 Zhou D6/308
 2002/0040541 A1 * 4/2002 Wang A47G 1/0622
 40/714
 2018/0012541 A1 * 1/2018 Lin G06F 3/0202

FOREIGN PATENT DOCUMENTS

CN 303979681 * 12/2016
 CN 304406685 * 12/2017
 CN 304407761 * 12/2017
 CN 304420784 * 12/2017
 CN 304420785 * 12/2017
 KR 300701066.0000 * 7/2013

OTHER PUBLICATIONS

10 inch Digital Photo Frame JYWY-DPF1003, Shenzhen JYWY Electronic Co., jysource.com, author not listed, published on Dec. 15, 2018 per wayback machine © 2018 Shenzhen JYWY Electronics Co., online, site visited Nov. 4, 2019. Available from Internet, URL: <http://www.jysource.com/digitalphotoframe...> (Year: 2018).*

* cited by examiner

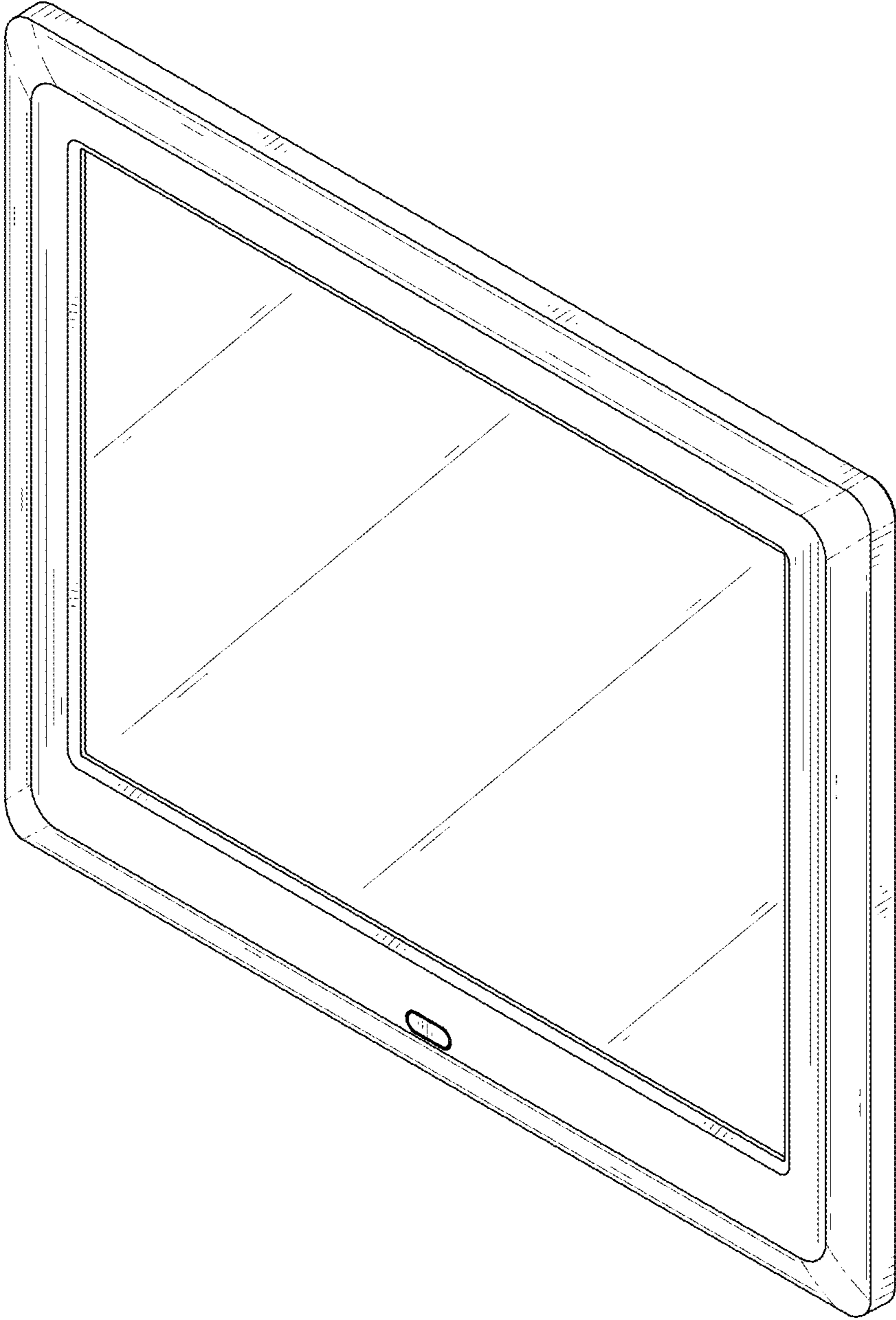


FIG. 1

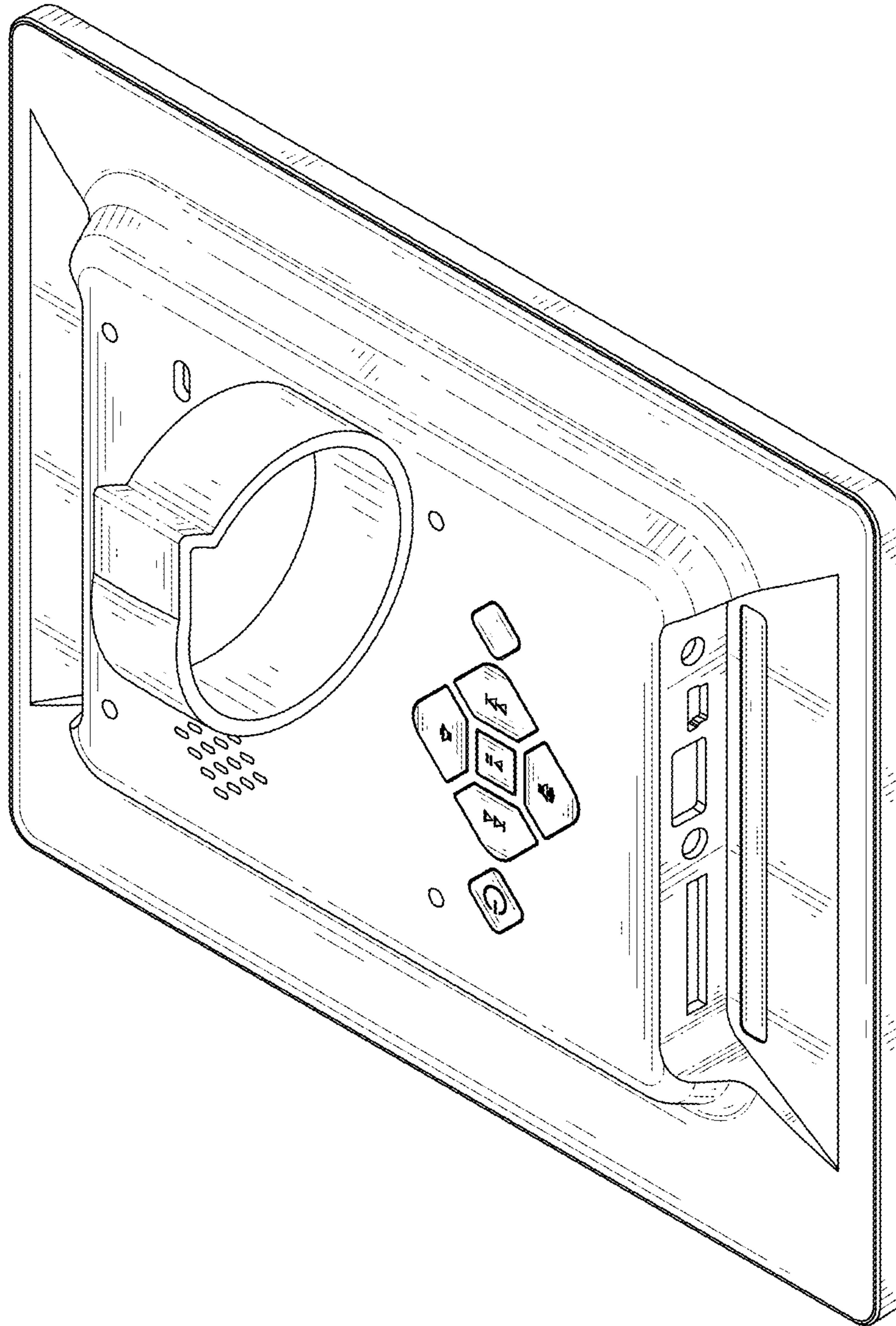


FIG. 2

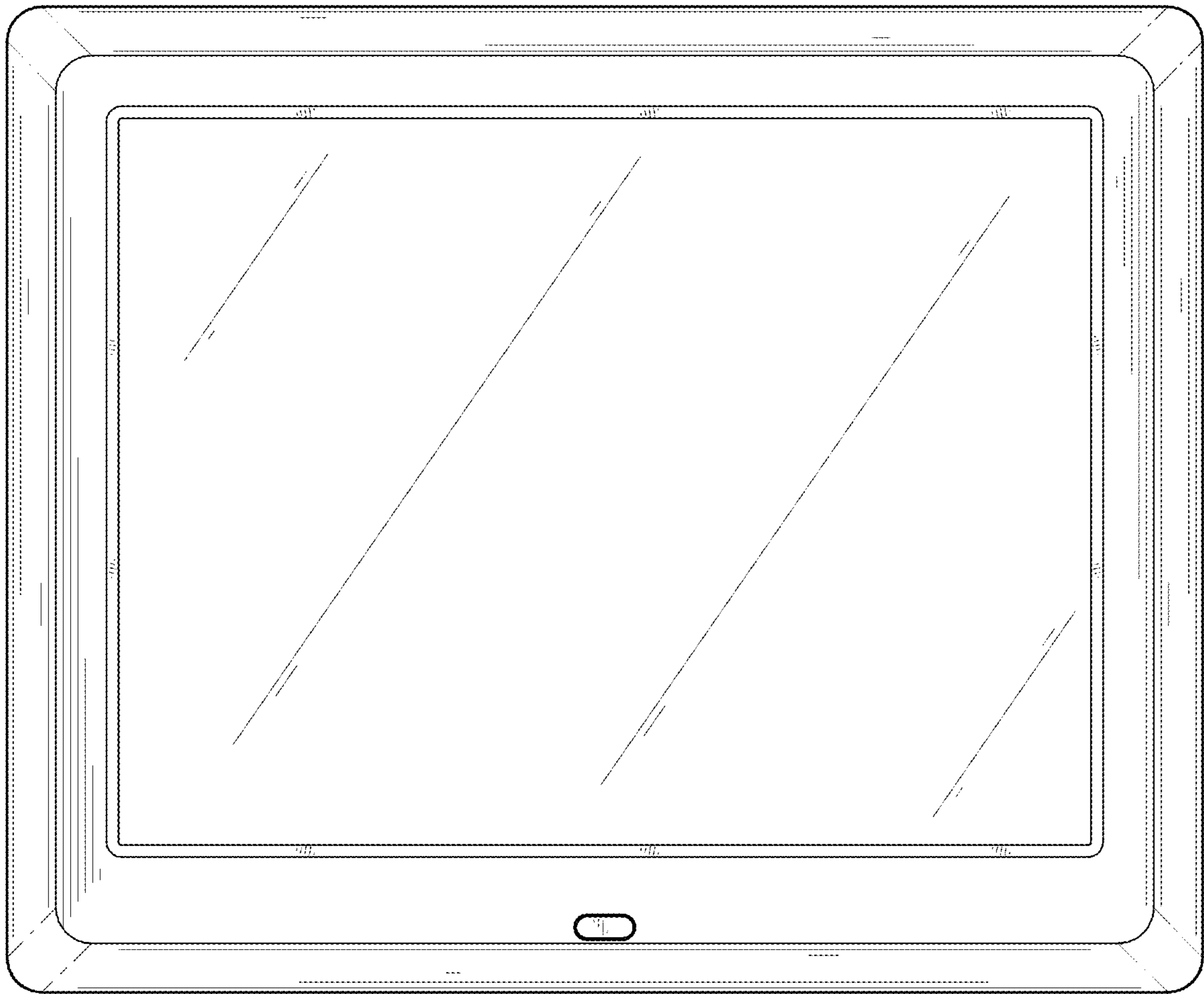


FIG. 3

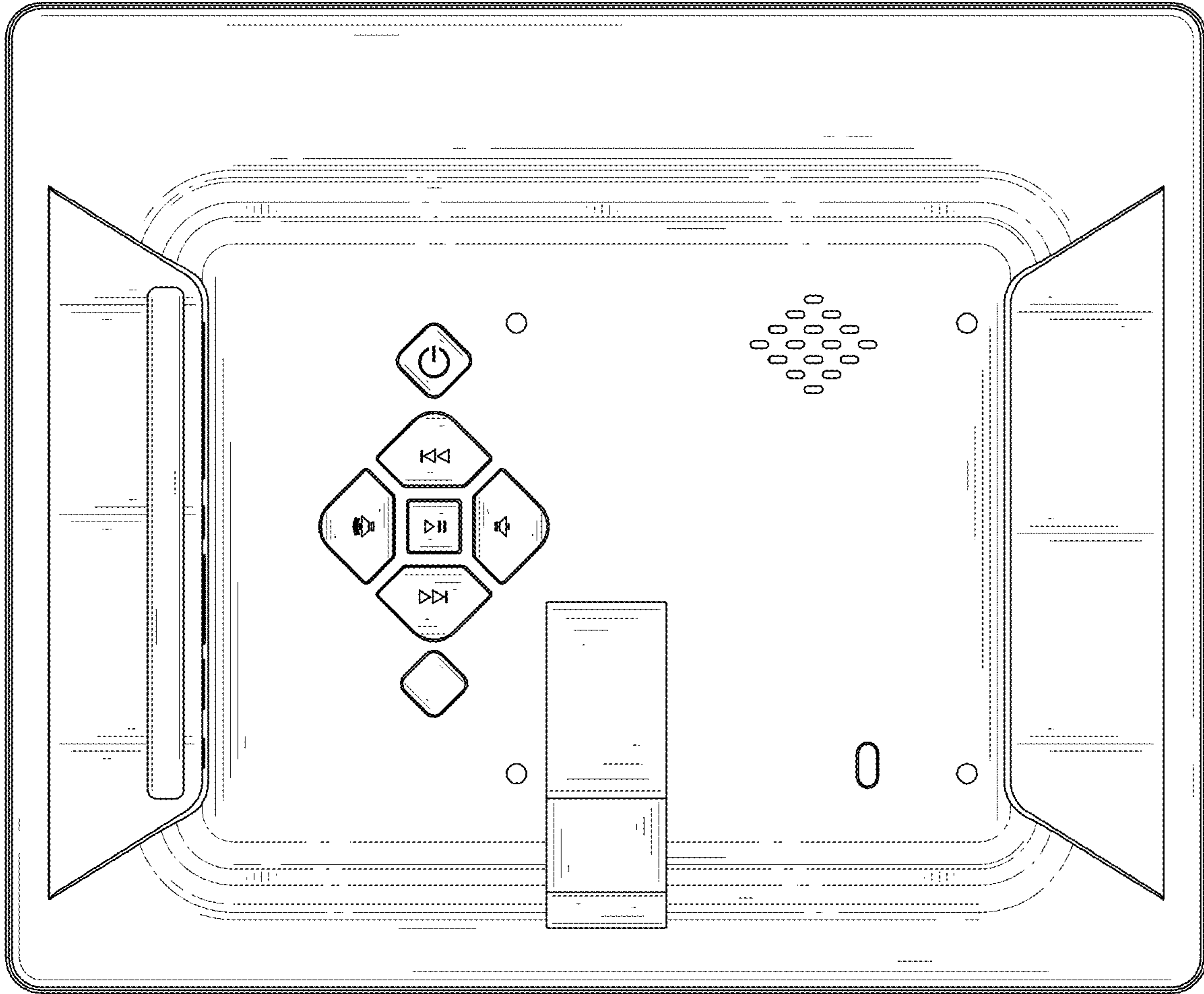


FIG. 4

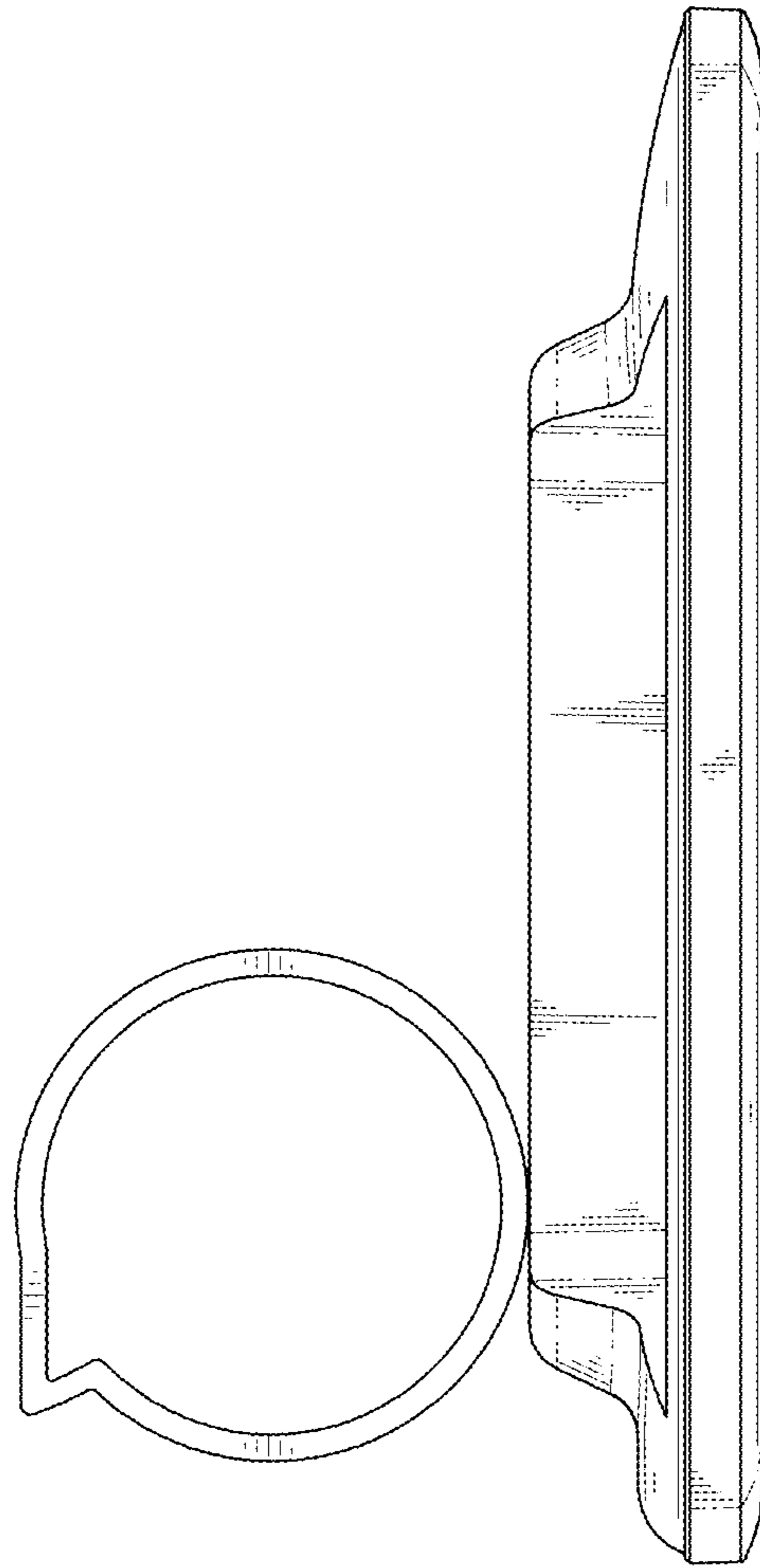


FIG. 5

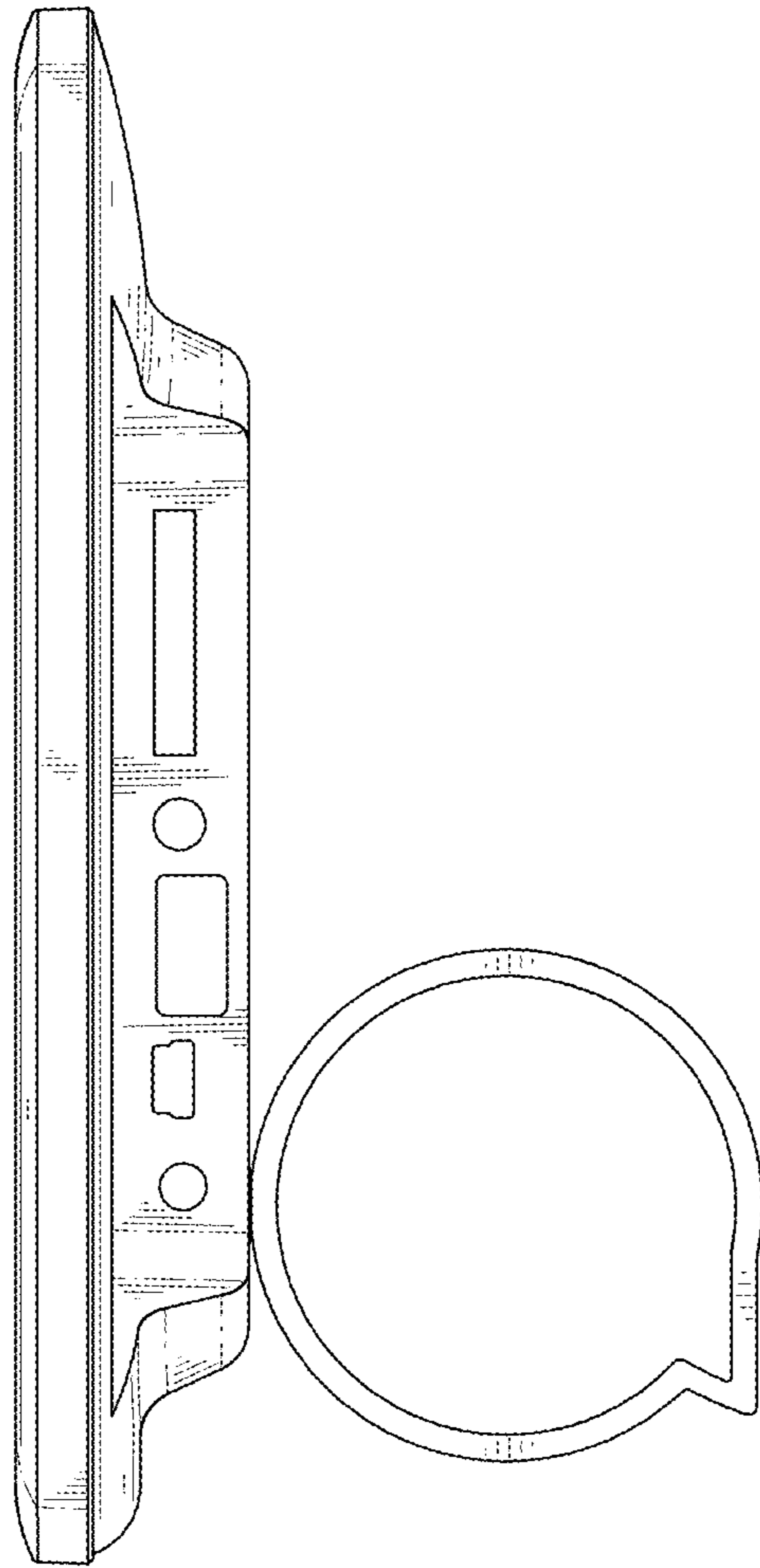


FIG. 6

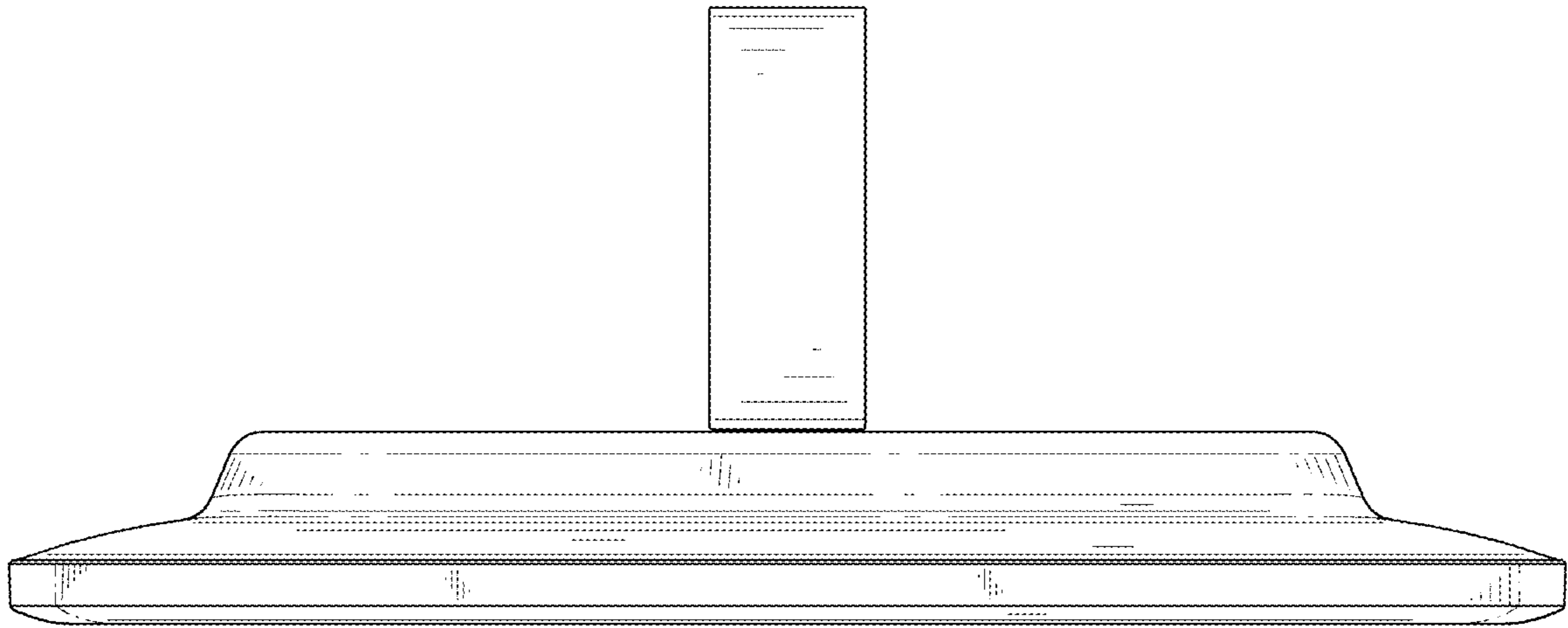


FIG. 7

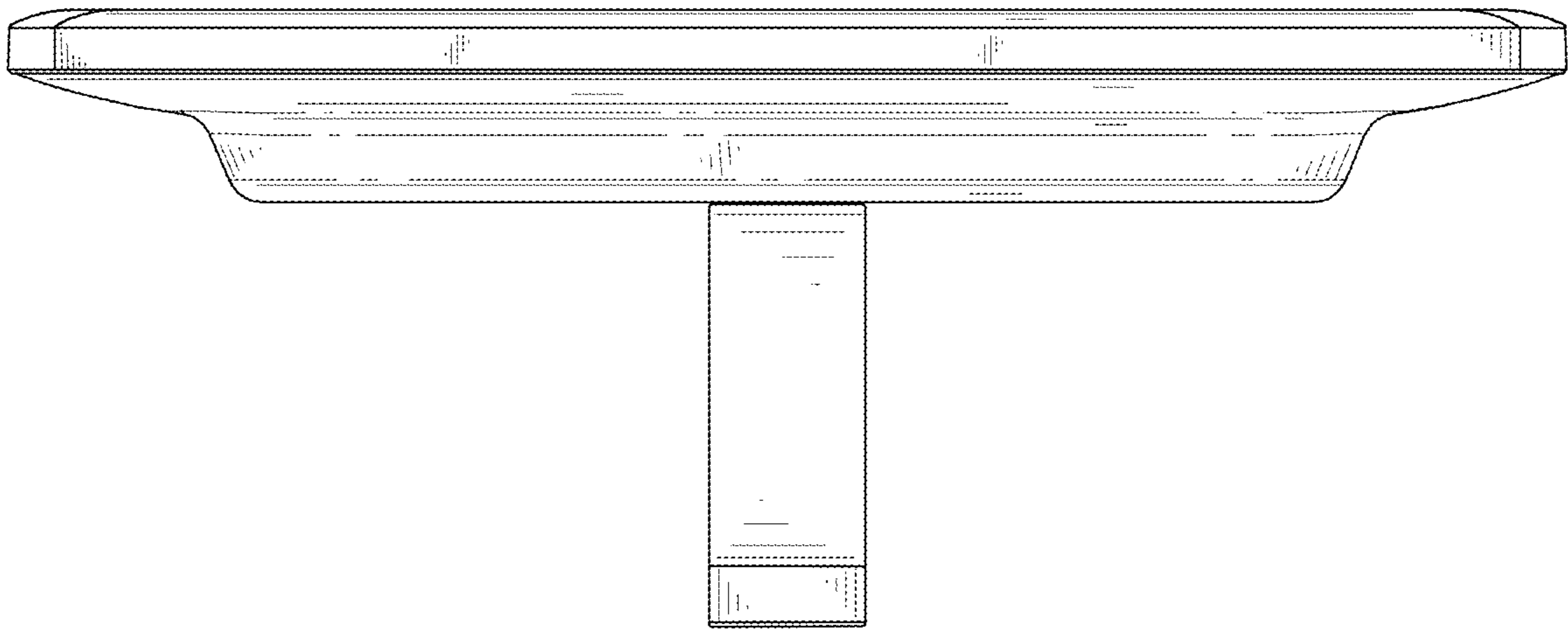


FIG. 8