



US00D875094S

(12) **United States Design Patent**
Miller et al.

(10) **Patent No.:** **US D875,094 S**

(45) **Date of Patent:** **** Feb. 11, 2020**

(54) **HEAD-MOUNTED DISPLAY**

(56) **References Cited**

(71) Applicant: **Facebook Technologies, LLC**, Menlo Park, CA (US)

U.S. PATENT DOCUMENTS

(72) Inventors: **Robin Michael Miller**, Redmond, WA (US); **Joseph Patrick Sullivan**, Seattle, WA (US); **Adam Hewko**, Kirkland, WA (US)

D791,125 S *	7/2017	Sullivan	D14/372
D791,129 S *	7/2017	Sullivan	D14/372
D800,117 S *	10/2017	Yee	D14/372
D801,970 S *	11/2017	Sullivan	D14/372
D810,743 S *	2/2018	Yee	D14/372
9,904,320 B2 *	2/2018	Justice	G06F 1/163
D815,637 S *	4/2018	Li	D14/372
D819,635 S *	6/2018	Miller	D14/372
D827,015 S *	8/2018	Chen	D16/312
D827,642 S *	9/2018	Liu	D14/372
D831,028 S *	10/2018	Miller	D14/372
D835,622 S *	12/2018	Miller	D14/372
D838,718 S *	1/2019	Chiang	D14/372
D839,269 S *	1/2019	Wang	D14/372
D839,872 S *	2/2019	Wei	D14/372
D840,399 S *	2/2019	Miller	D14/372
D842,300 S *	3/2019	Chiang	D14/372
D848,420 S *	5/2019	Boger	D14/372

(73) Assignee: **Facebook Technologies, LLC**, Menlo Park, CA (US)

(**) Term: **15 Years**

(21) Appl. No.: **29/702,474**

(22) Filed: **Aug. 20, 2019**

(Continued)

Related U.S. Application Data

Primary Examiner — Austin Murphy

(63) Continuation of application No. 29/675,462, filed on Jan. 2, 2019, which is a continuation of application No. 29/643,808, filed on Apr. 11, 2018, now Pat. No. Des. 840,399, which is a continuation of application No. 29/612,368, filed on Jul. 31, 2017, now Pat. No. Des. 819,635.

(74) *Attorney, Agent, or Firm* — FisherBroyles, LLP

(51) **LOC (12) Cl.** **14-02**

(57) **CLAIM**

(52) **U.S. Cl.**

The ornamental design for a head-mounted display, as shown and described.

USPC **D14/372**

DESCRIPTION

(58) **Field of Classification Search**

USPC D14/372, 496, 432, 371, 125, 126, 129, D14/299; D16/300-342; 351/158, 153, 351/144; 345/7-9, 905; 455/344; 348/115, 53, 121, 739

FIG. 1 is a top and right perspective view of a head-mounted display.

FIG. 2 is a front view thereof.

FIG. 3 is a rear view thereof.

FIG. 4 is a left view thereof.

FIG. 5 is a right view thereof.

FIG. 6 is a top view thereof; and,

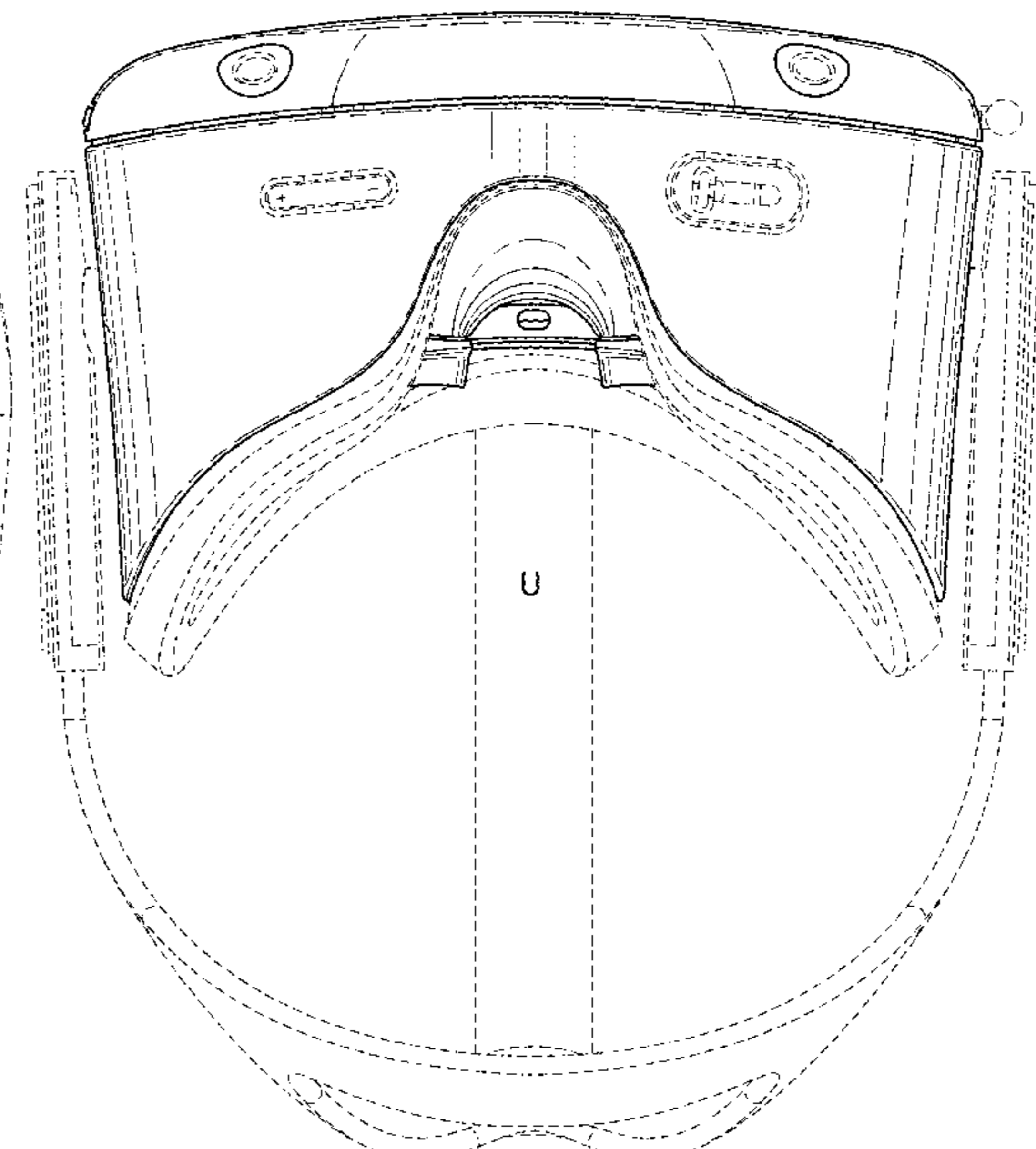
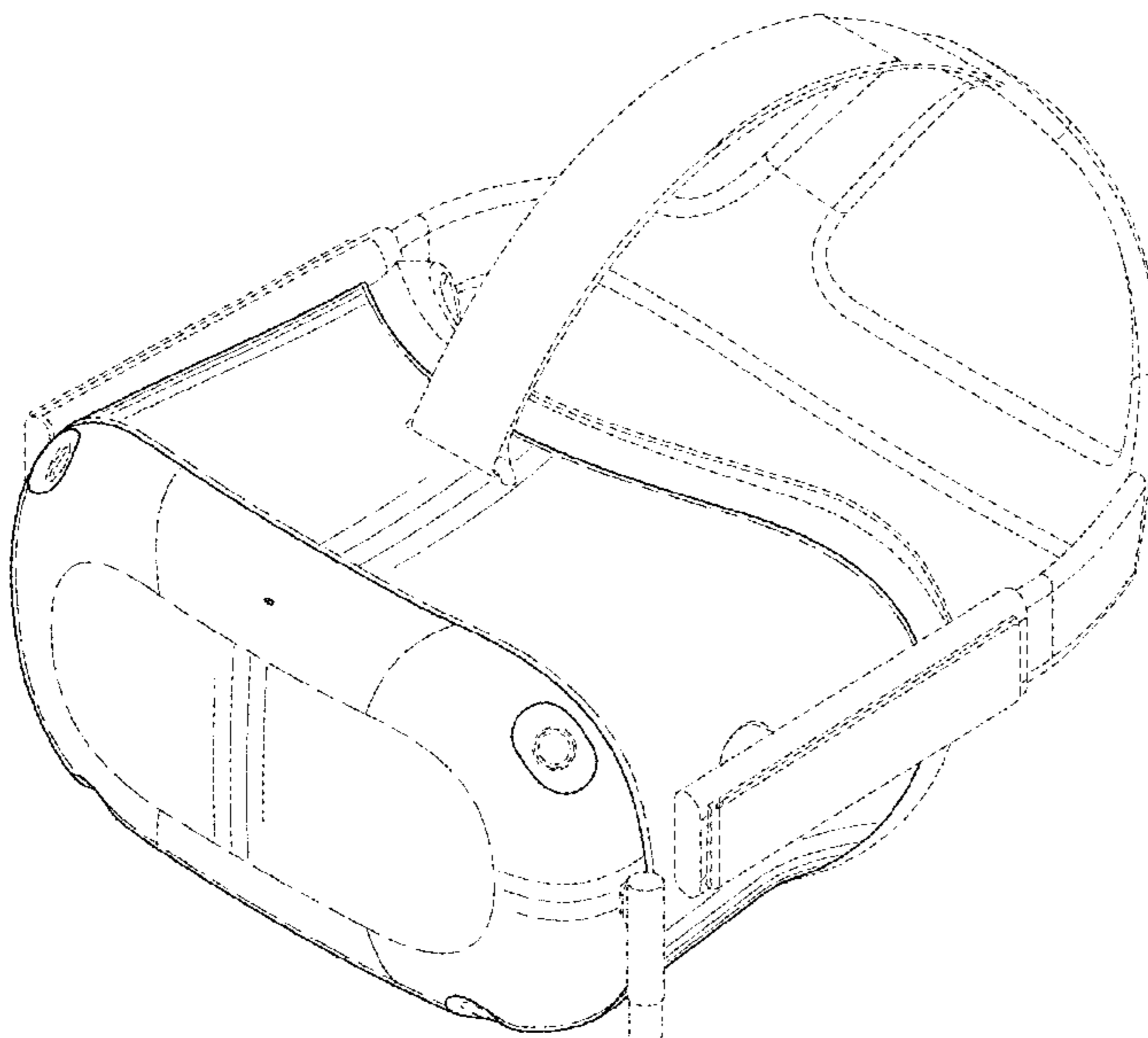
FIG. 7 is a bottom view thereof.

CPC G02B 27/017; G02B 27/0158; G02B 27/0161; G02B 27/0181; G02B 27/0185; G02B 27/0189

The broken lines shown in these figures are for illustrative purposes only and form no part of the claimed design.

See application file for complete search history.

1 Claim, 7 Drawing Sheets



(56)

References Cited

U.S. PATENT DOCUMENTS

D849,003 S * 5/2019 Chiang D14/372
10,408,313 B1 * 9/2019 Sullivan F16H 19/06

* cited by examiner

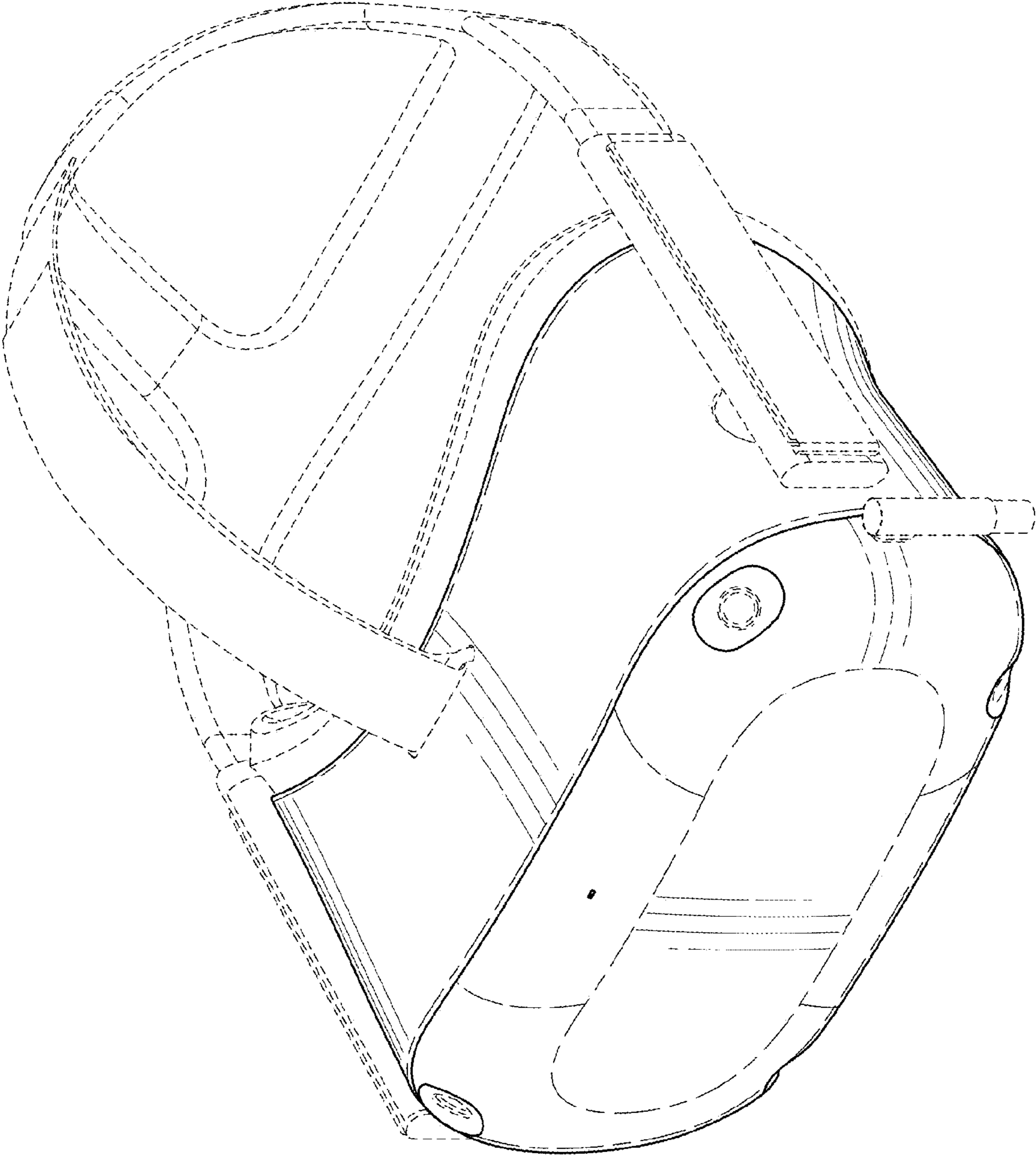


FIG. 1

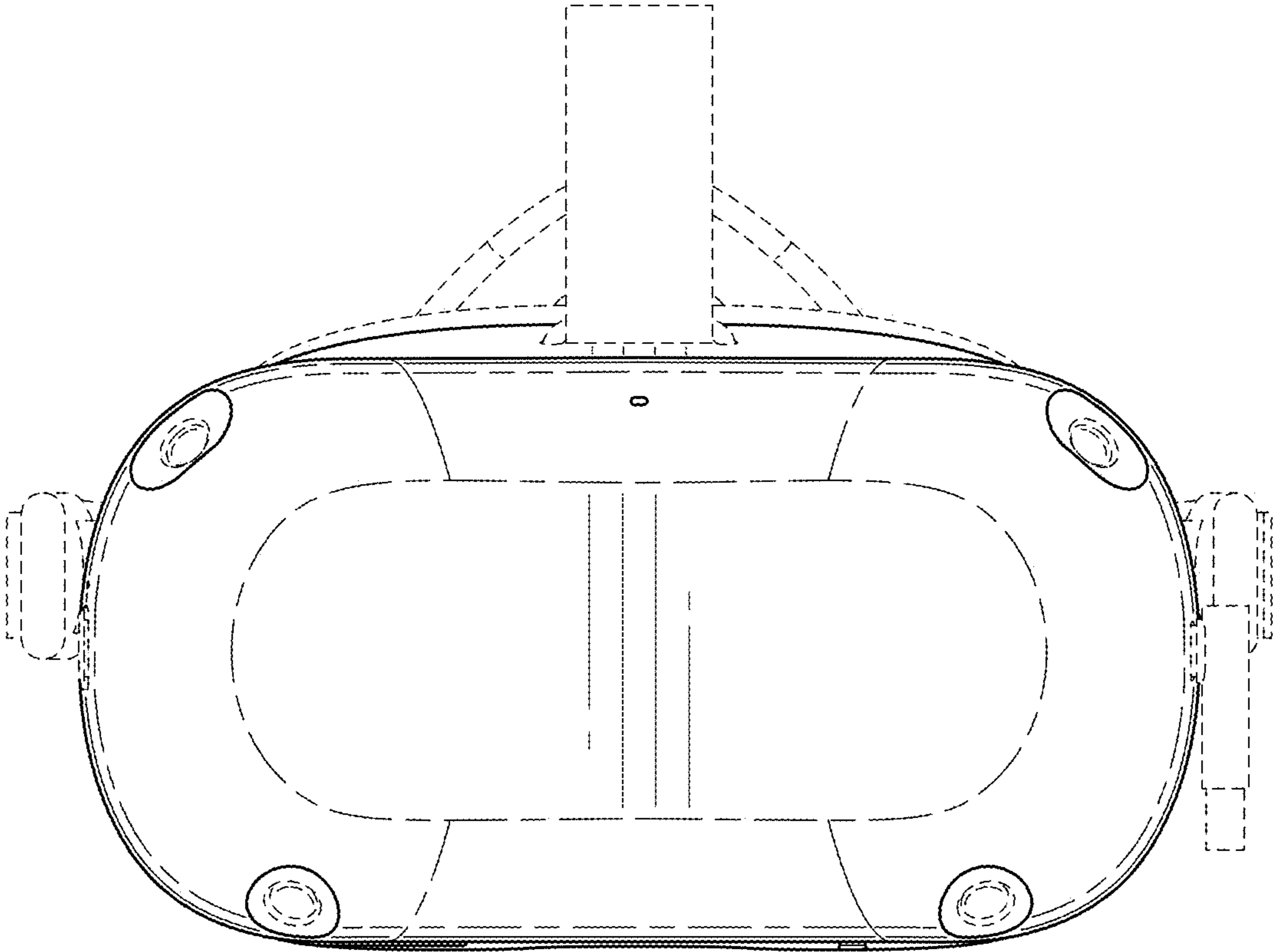


FIG. 2

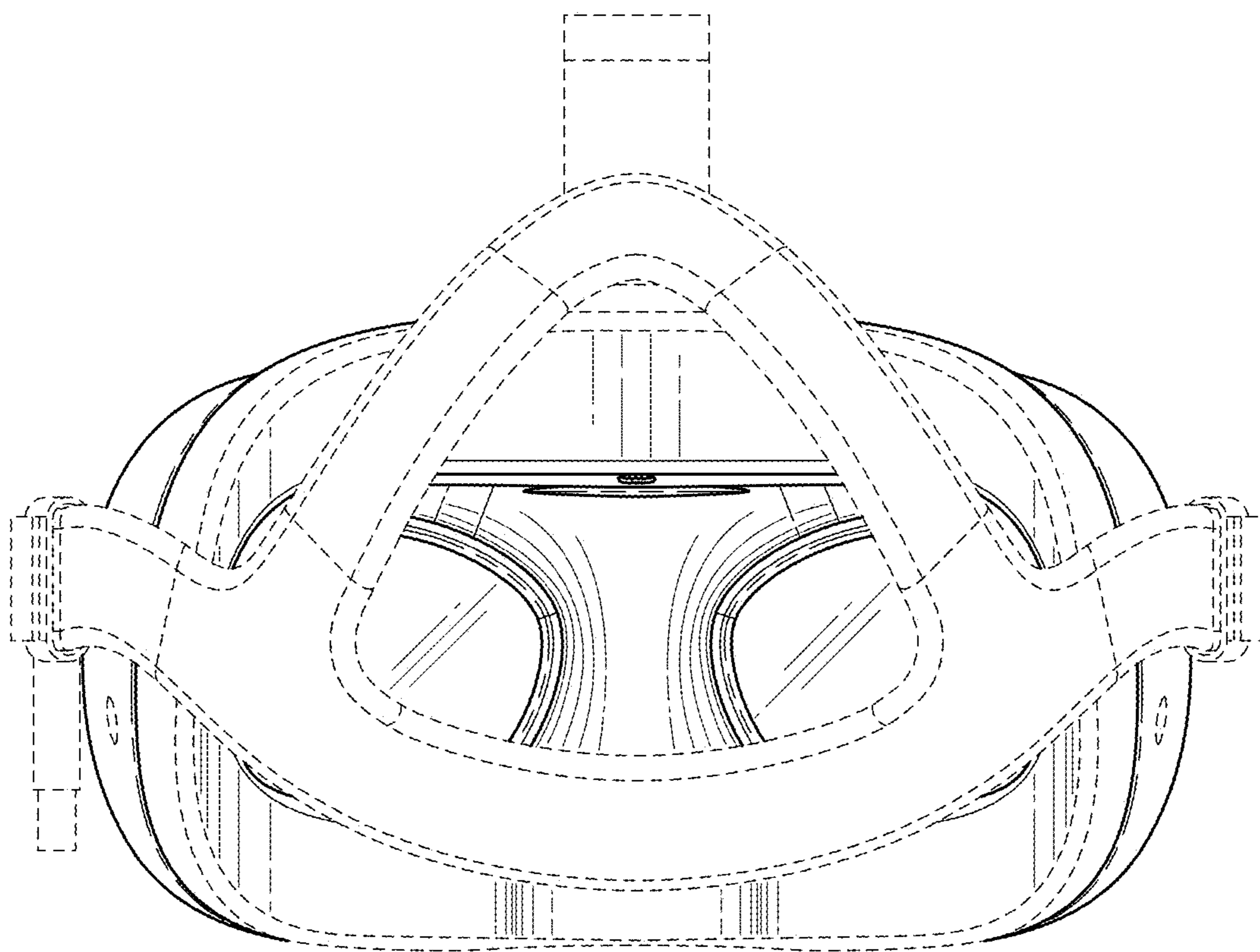


FIG. 3

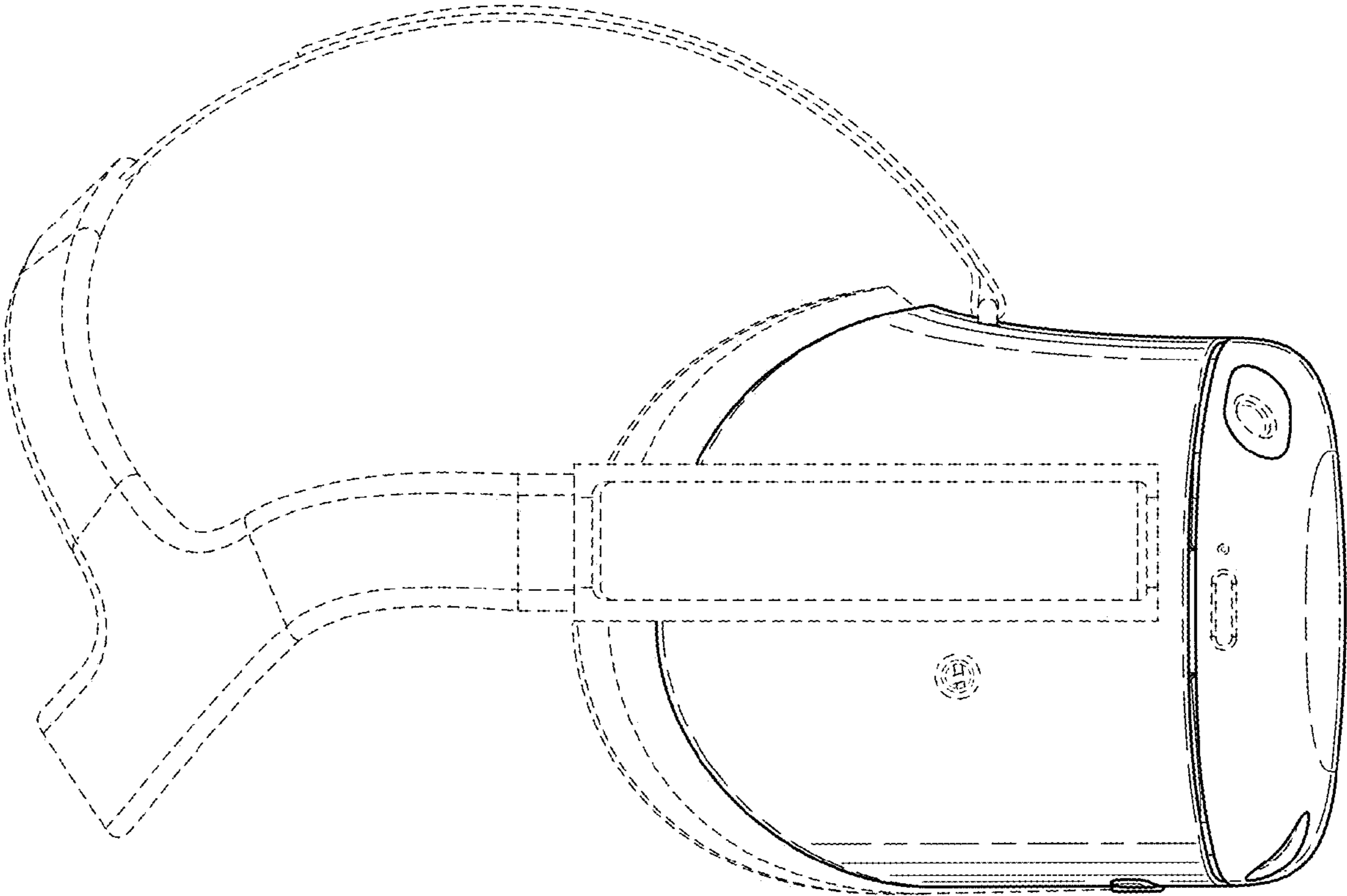


FIG. 4

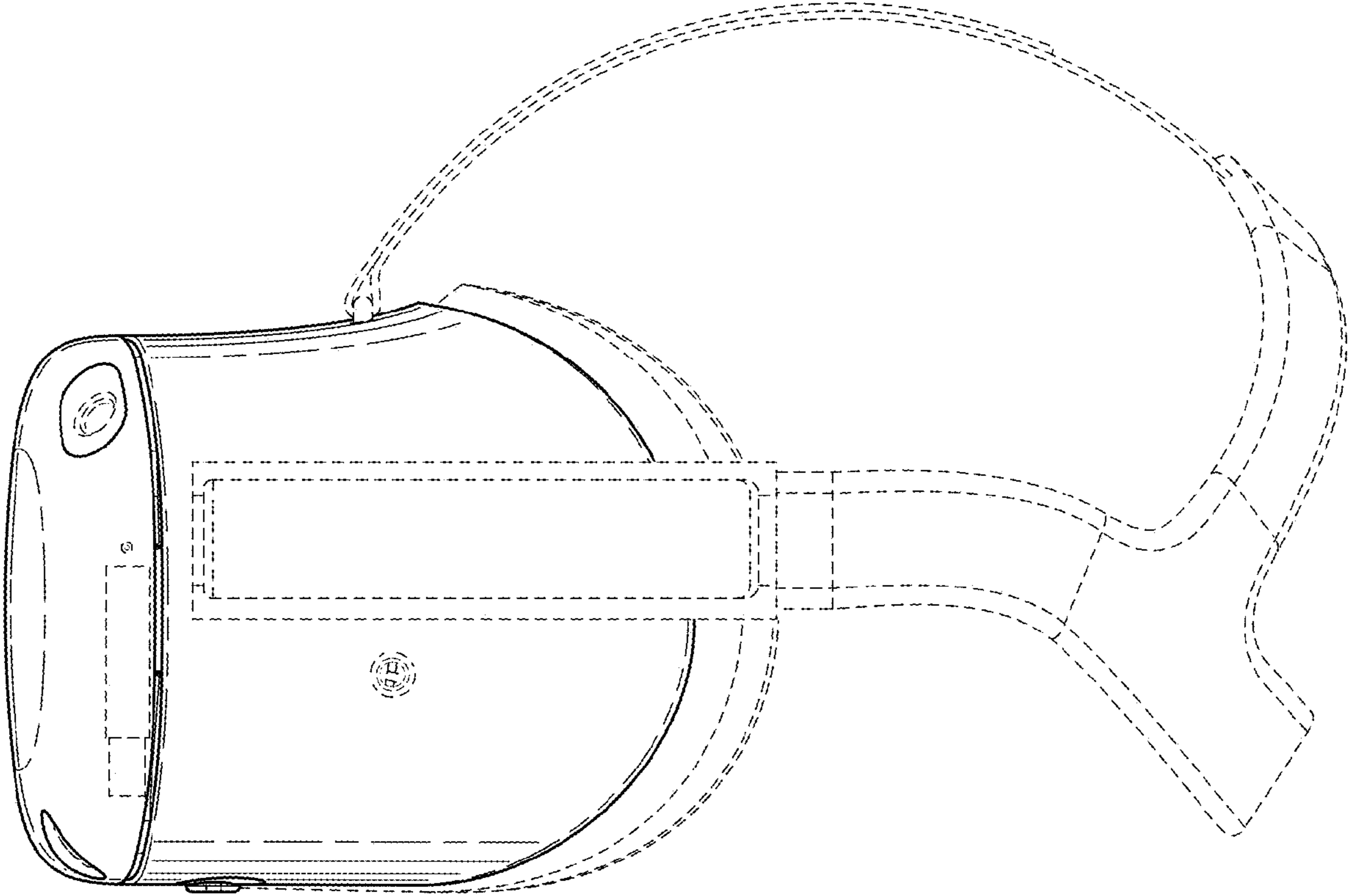


FIG. 5

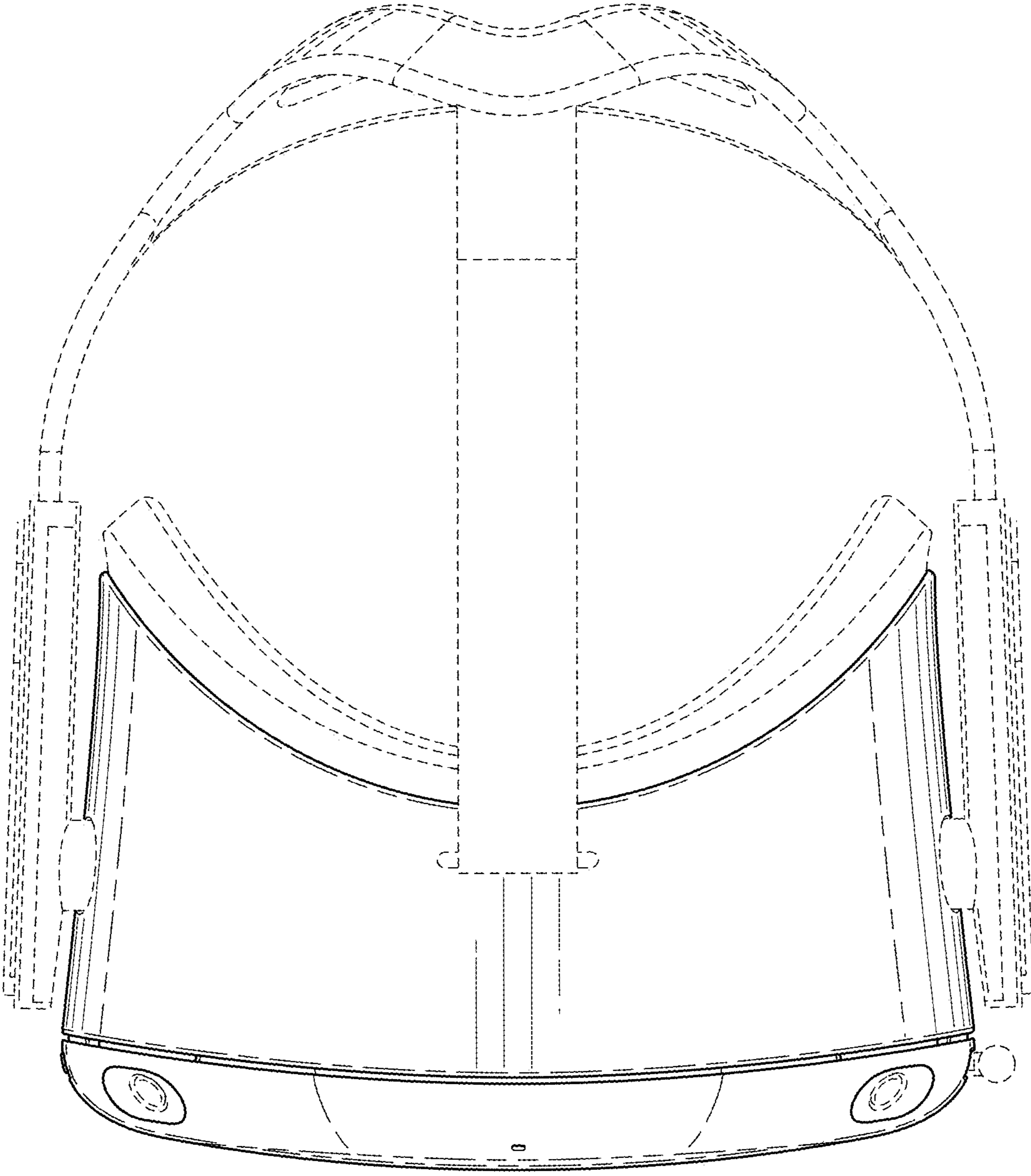


FIG. 6

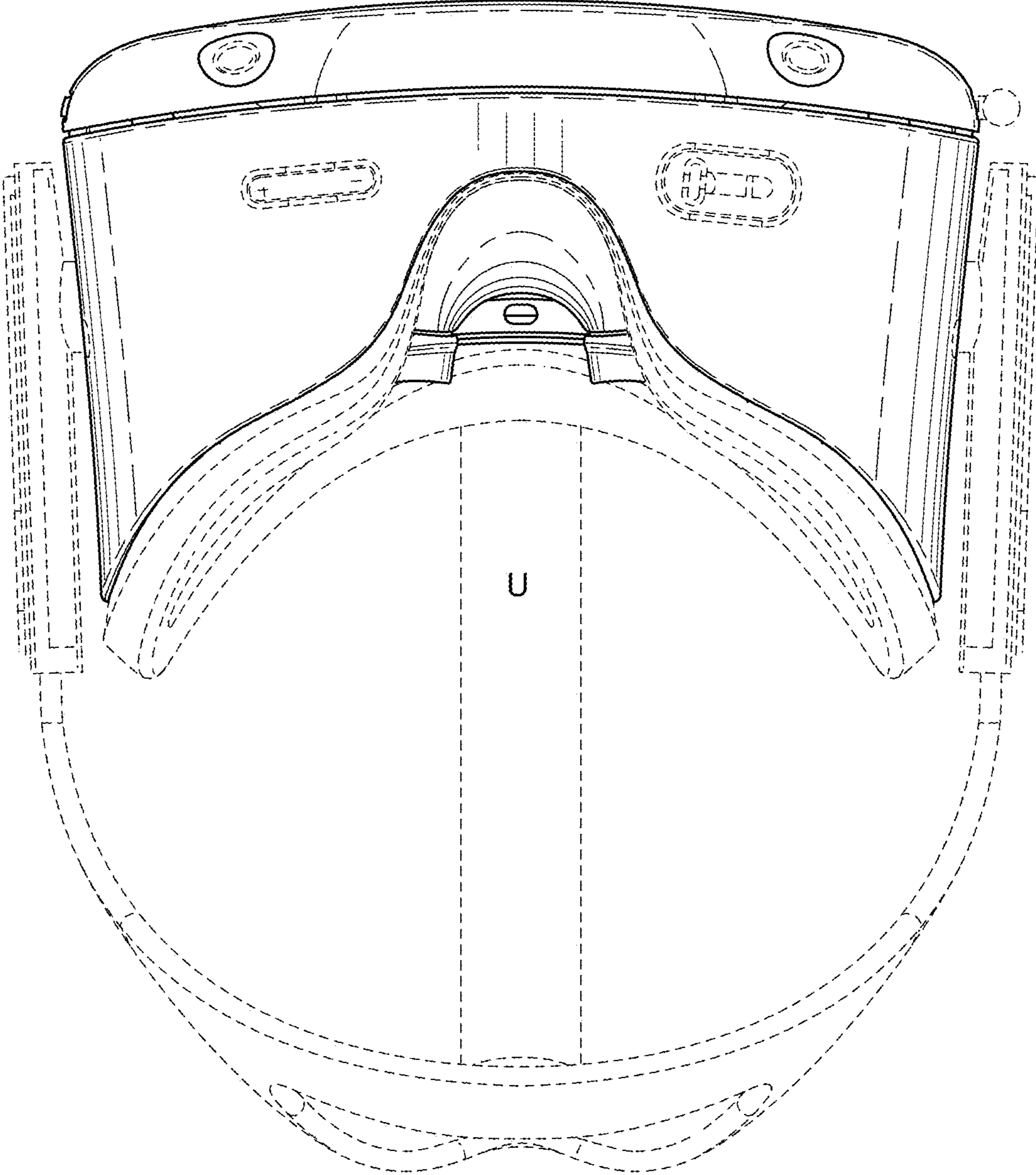


FIG. 7