



US00D875090S

(12) **United States Design Patent** (10) **Patent No.:** **US D875,090 S**
Leeds-Frank et al. (45) **Date of Patent:** **** Feb. 11, 2020**

(54) **MOUNT AND HOLDER FOR MOBILE DEVICE**

A47B 88/044; A47B 2021/0335; H02G 3/126; F16B 47/00; F16B 47/006; A47G 1/17; A47K 2201/00

(71) Applicant: **iOttie, Inc.**, New York, NY (US)

See application file for complete search history.

(72) Inventors: **Jeremy Leeds-Frank**, Glen Cove, NY (US); **Jeremy Michael Connell**, Brooklyn, NY (US); **Carlyle Patrick Yarbough**, Astoria, NY (US)

(56) **References Cited**

U.S. PATENT DOCUMENTS

(73) Assignee: **IOTTIE, INC.**, New York, NY (US)

(**) Term: **15 Years**

(21) Appl. No.: **29/624,672**

(22) Filed: **Nov. 2, 2017**

(51) **LOC (12) Cl.** **14-03**

(52) **U.S. Cl.**
USPC **D14/253**

(58) **Field of Classification Search**
USPC D14/371–382, 125–129, 336, 337, D14/447–452, 492, 335, 239, 457, D14/439–441, 432, 251–253; D8/349, D8/354, 363, 373, 376, 380; D21/333; D12/415; D3/218; 348/180, 184, 325, 348/739, 825
CPC G06F 3/0412; G06F 3/016; G06F 3/0488; G06F 3/011; G06F 3/038; G06F 3/03543; G06F 3/0338; G06F 3/0202; G06F 3/0219; G06F 3/0213; G06F 1/1616; G06F 3/023; G06F 3/04883; G02F 1/13338; G02F 1/1313; G02F 1/1333; G02F 1/135; G02F 1/132; G02F 1/133308; G02F 1/134309; G02F 1/13718; G09G 3/3648; G06K 15/1252; B41J 2/465; G03F 7/70291; G02B 27/0172; G02B 5/30; G02B 2027/0118; G02B 27/0101; F16M 13/02; F16M 13/00; F16M 11/10; F16M 11/04; F16M 2200/08; F16M 11/2021; A47B 21/0314;

D592,205 S *	5/2009	O'Brien	D12/415
D603,322 S *	11/2009	Nicieja	D12/415
D614,613 S *	4/2010	Kim	D14/253
D654,119 S *	2/2012	Lin	D14/434
D654,120 S *	2/2012	Lin	D14/434
D655,284 S *	3/2012	Richter	D14/253
D709,066 S *	7/2014	Byun	D14/253
D718,297 S *	11/2014	Aspinall	D14/253
D718,298 S *	11/2014	Aspinall	D14/253
D738,873 S *	9/2015	Kim	D14/253
D817,317 S *	5/2018	Lee	D14/253
D832,248 S *	10/2018	Sukphist	D14/253
2012/0267406 A1 *	10/2012	Fan	B60R 11/02 224/482

* cited by examiner

Primary Examiner — Katie Jane Stofko

(74) *Attorney, Agent, or Firm* — Lucas & Mercanti, LLP

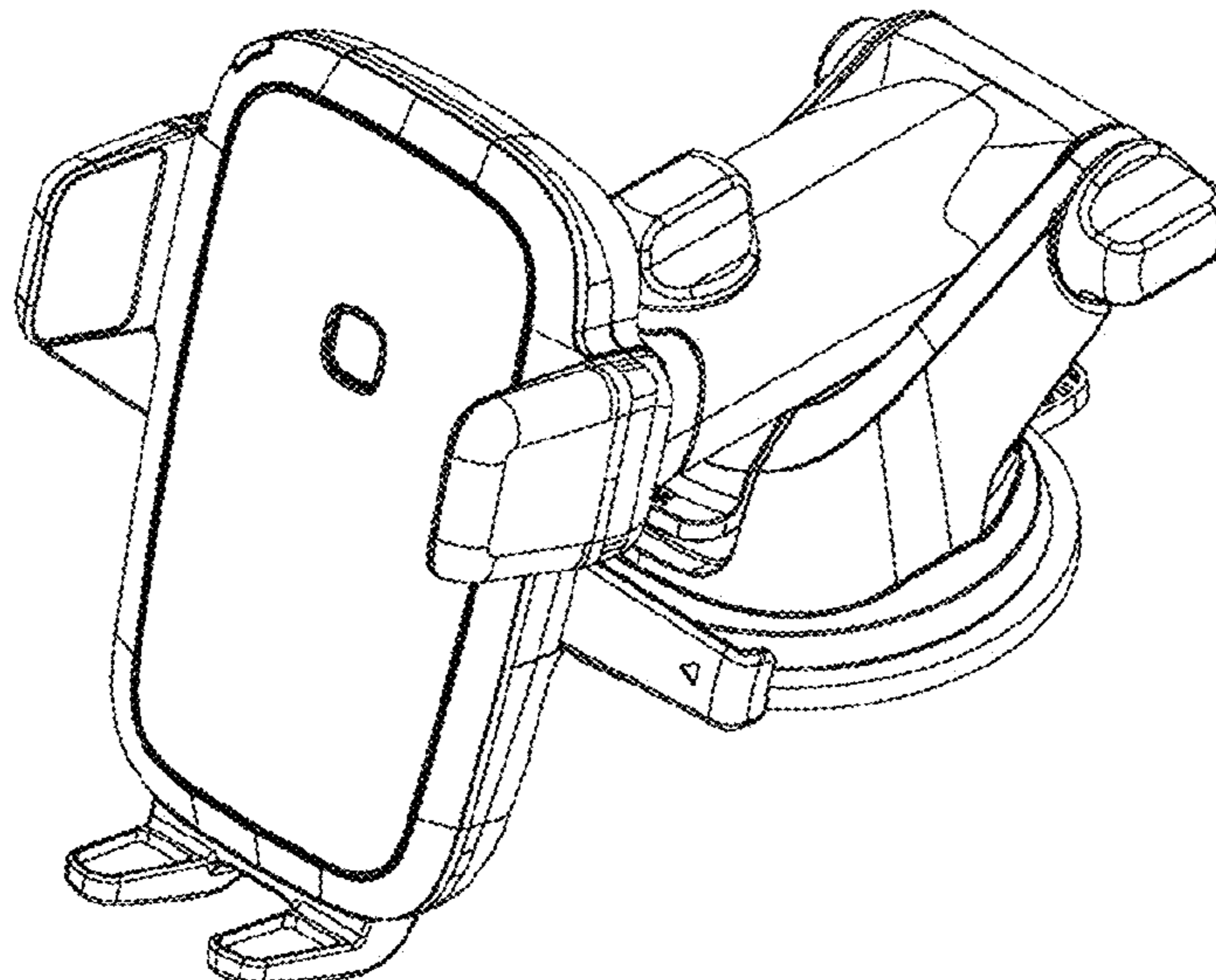
(57) **CLAIM**

The ornamental design for a mount and holder for mobile device, as shown and described.

DESCRIPTION

FIG. 1 is a front, top, and right perspective view of a mount and holder for mobile device;
FIG. 2 is a rear, top, right perspective view thereof;
FIG. 3 is a bottom, rear, right perspective view thereof;
FIG. 4 is a front elevation view thereof;
FIG. 5 is a rear elevation view thereof;
FIG. 6 is a right side elevation view thereof;
FIG. 7 is a top plan view thereof; and,
FIG. 8 is a bottom plan view thereof.

1 Claim, 4 Drawing Sheets



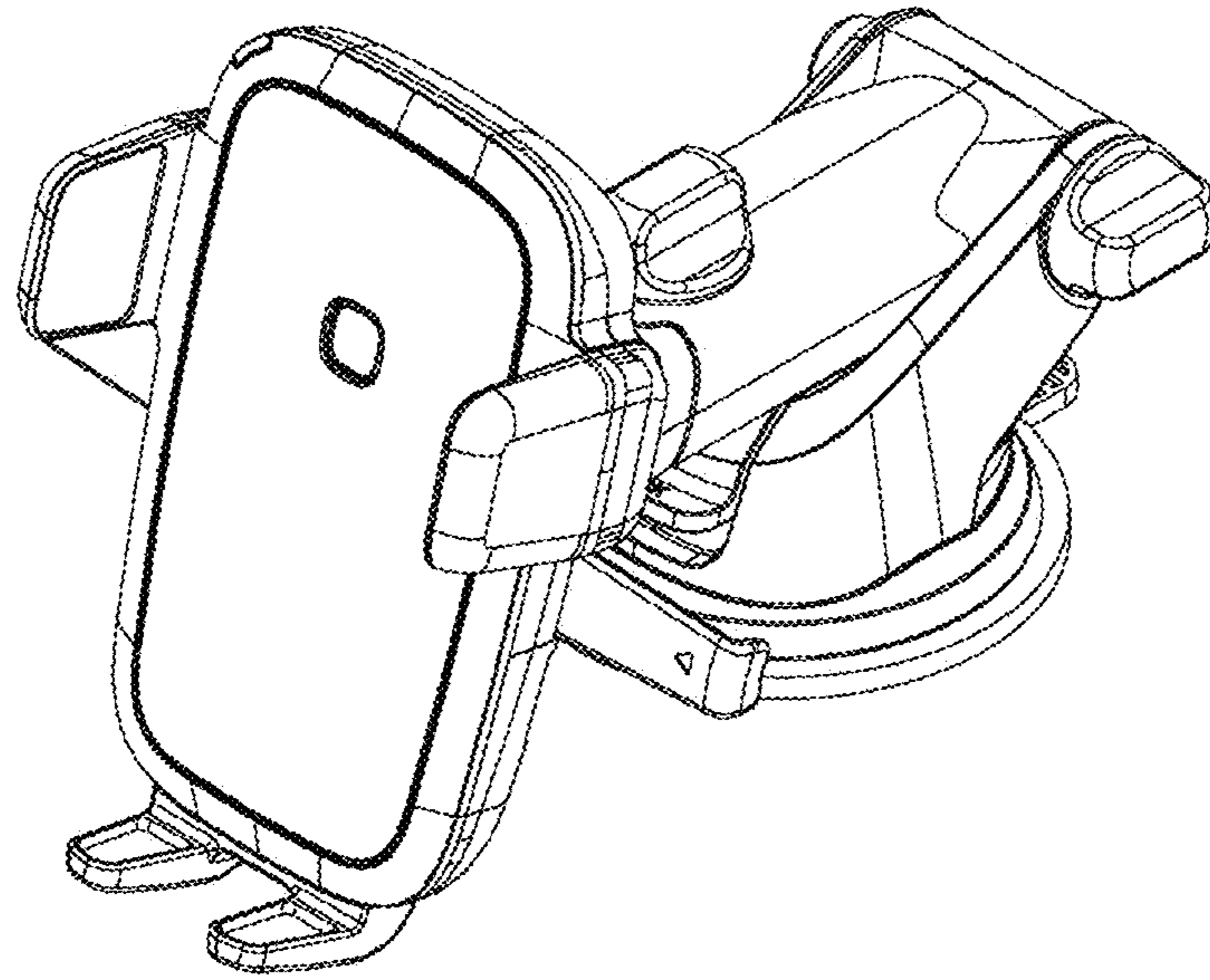


FIGURE 1

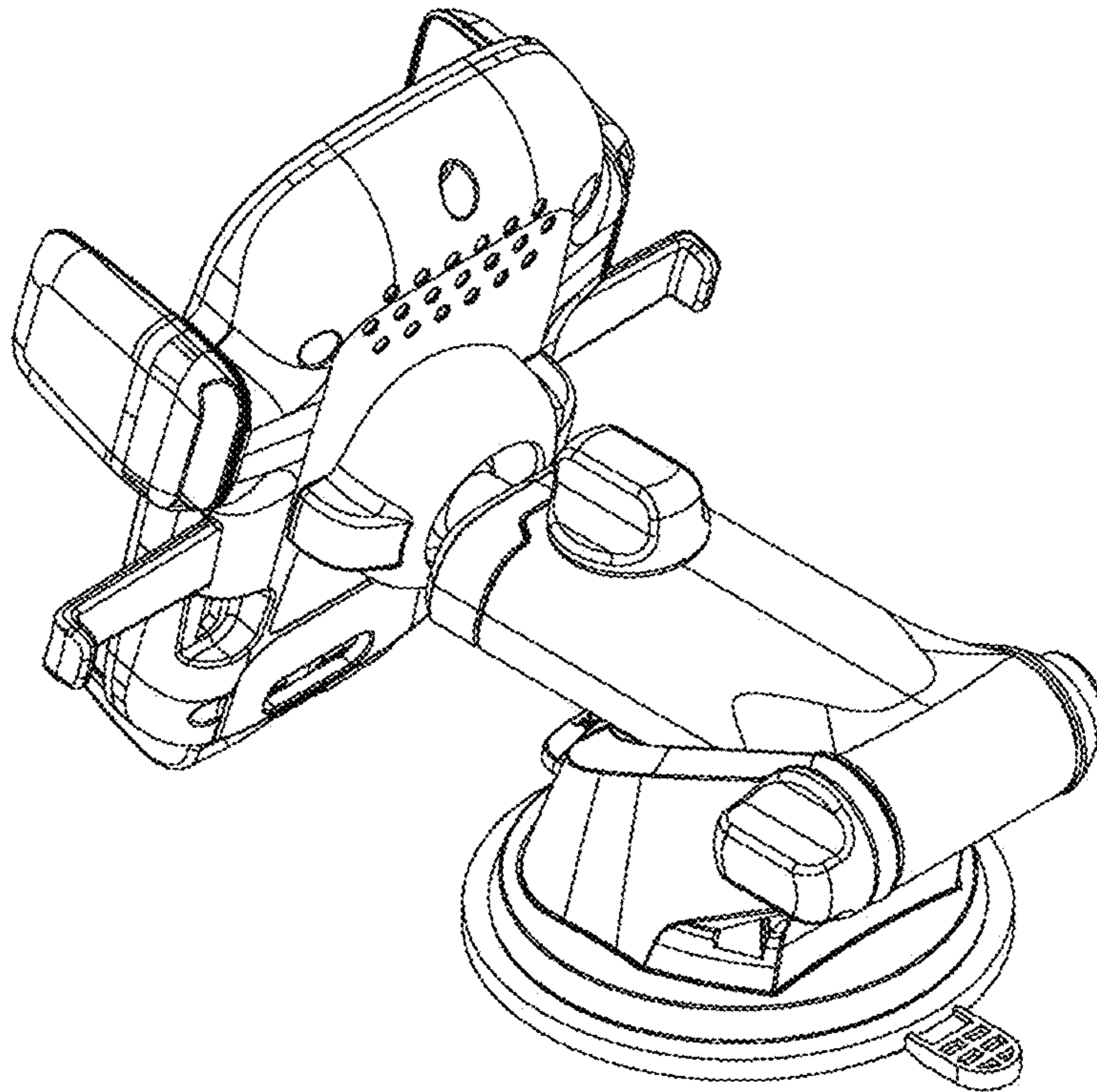


FIGURE 2

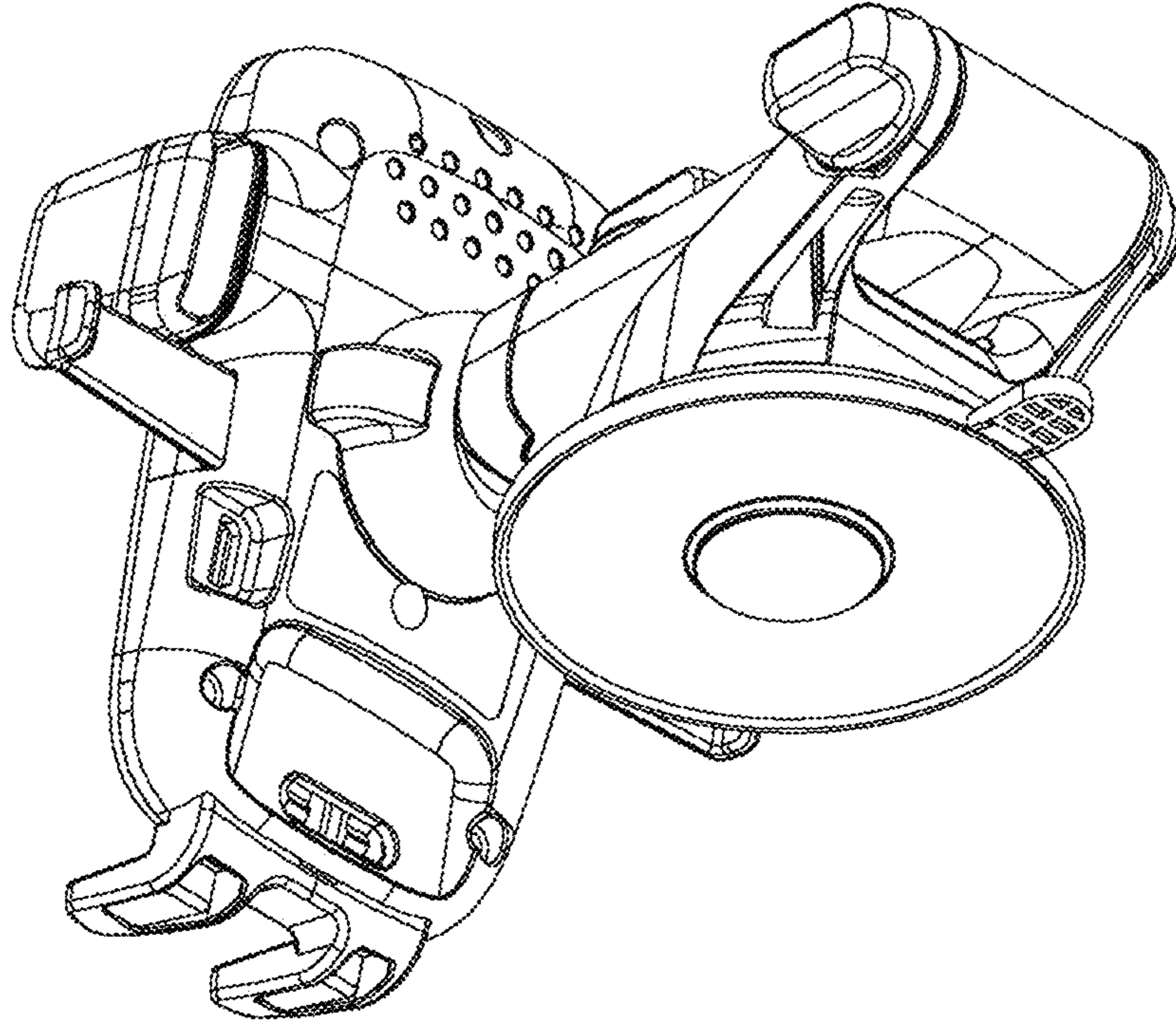


FIGURE 3

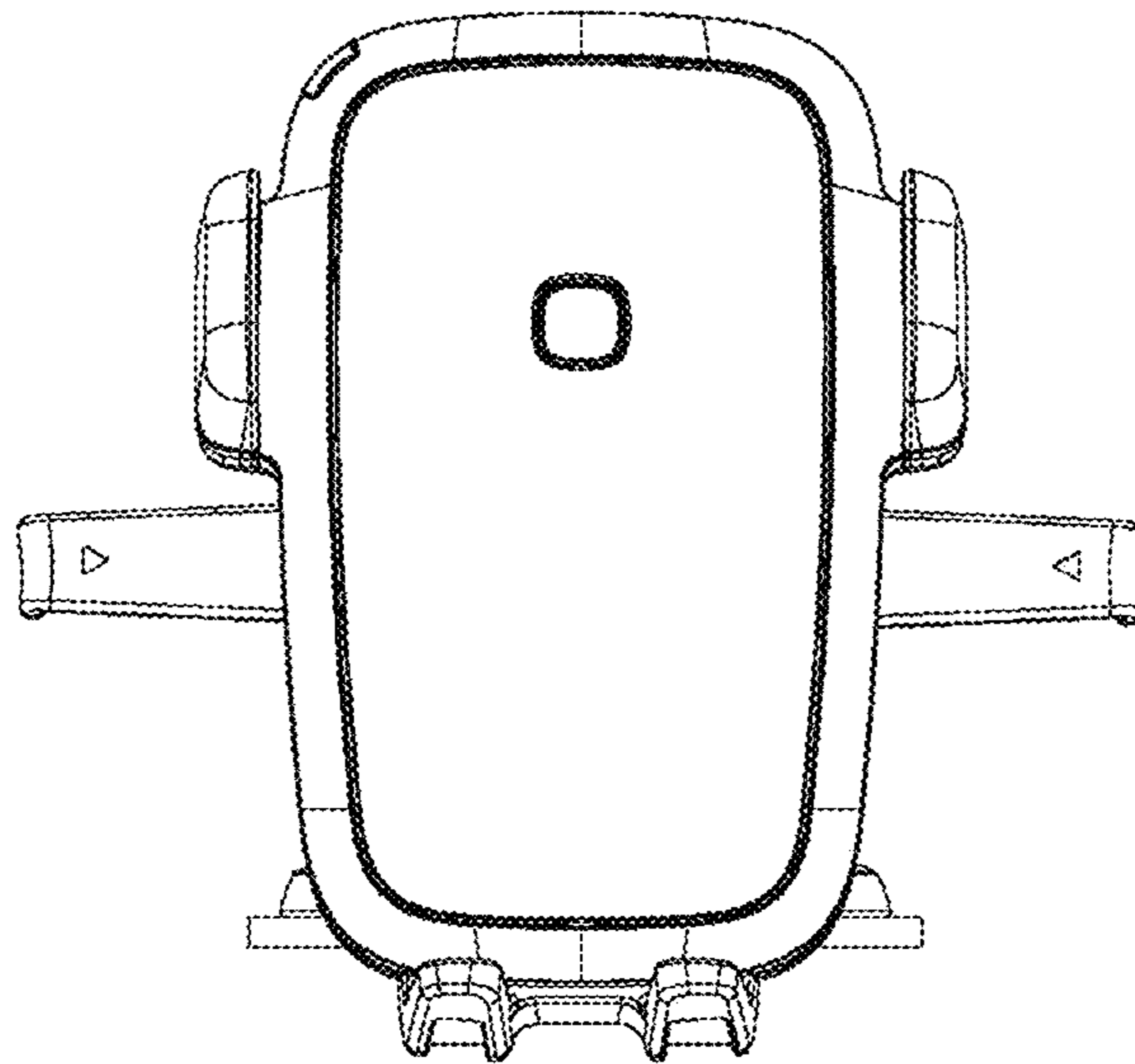


FIGURE 4

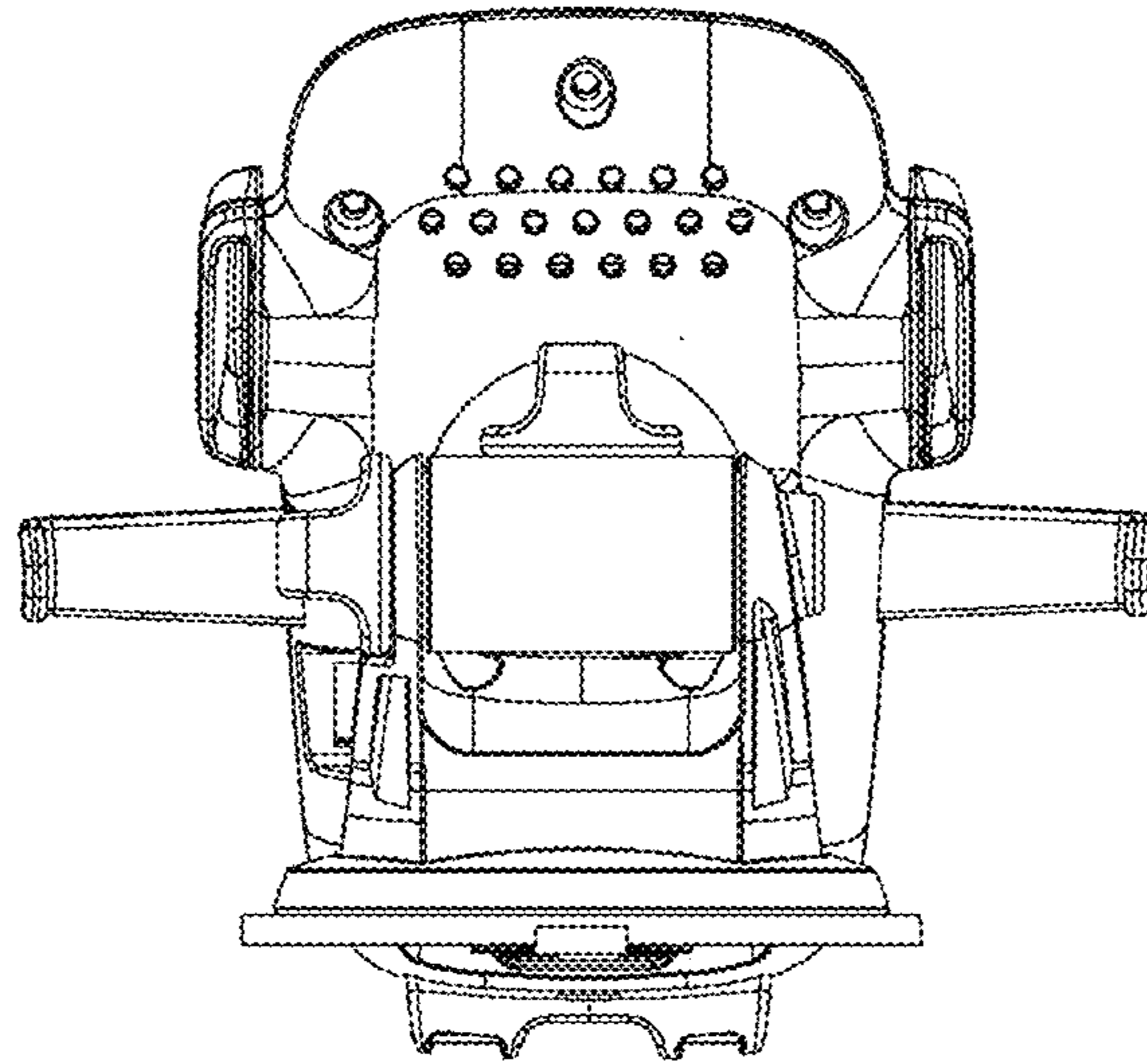


FIGURE 5

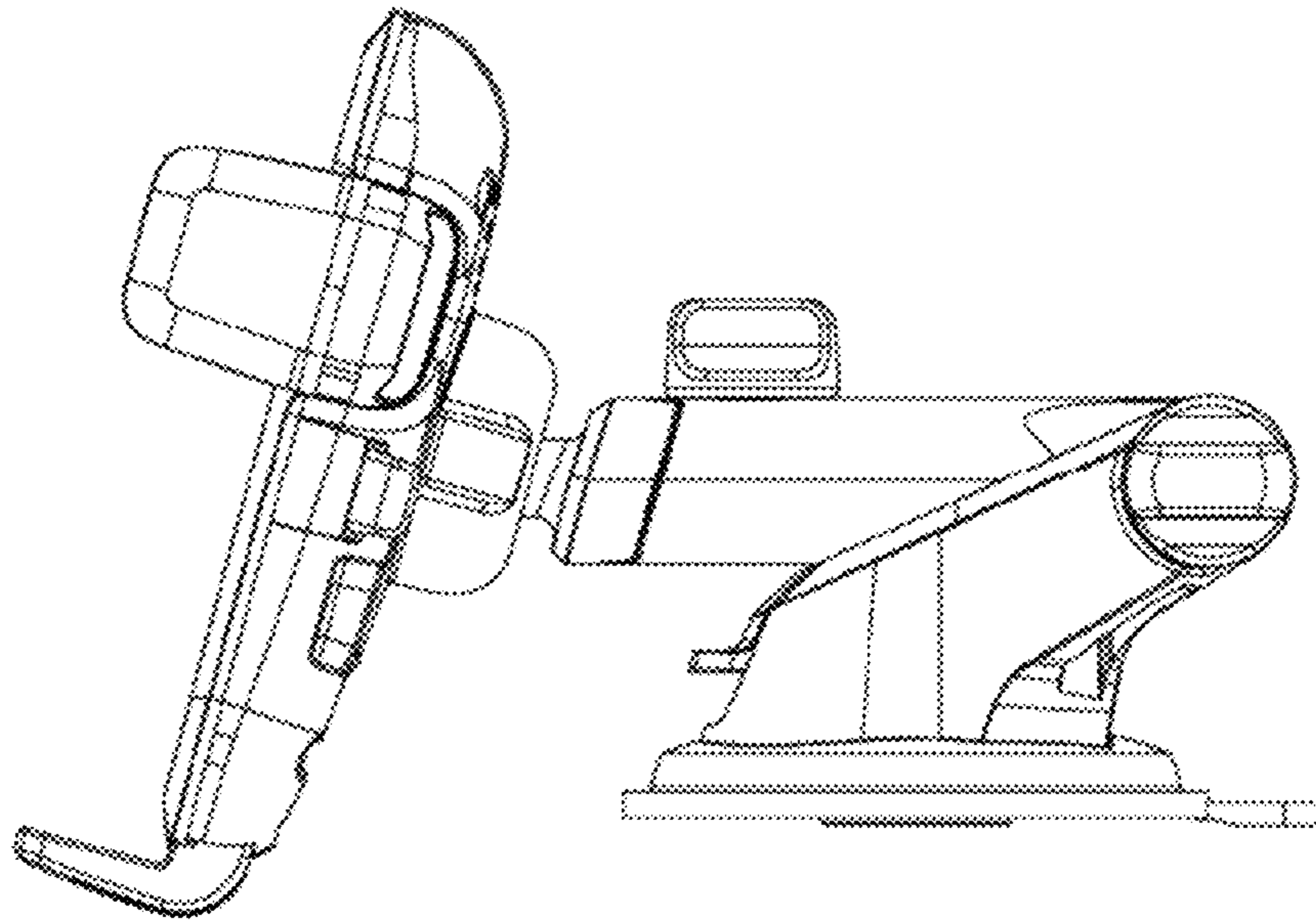


FIGURE 6

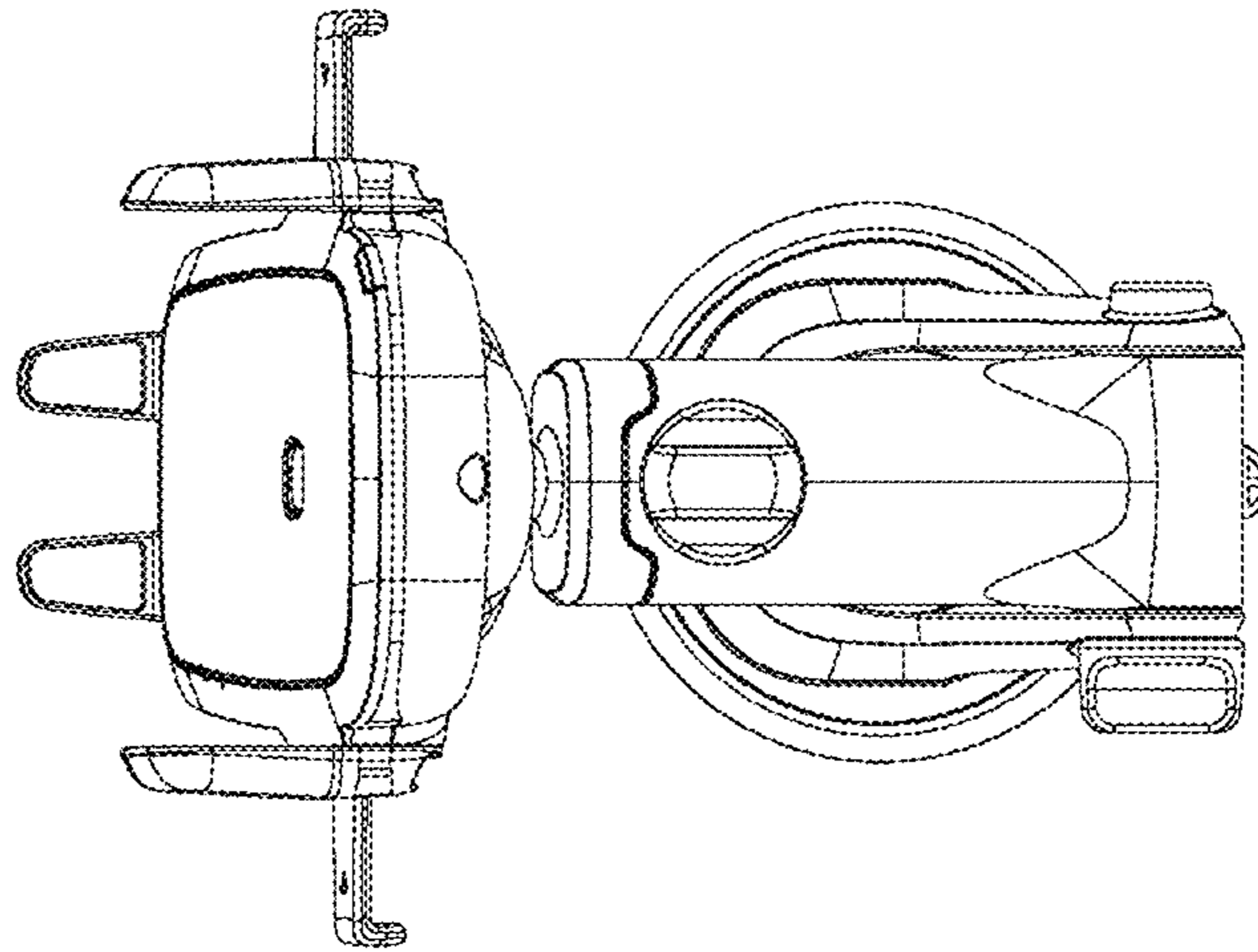


FIGURE 7

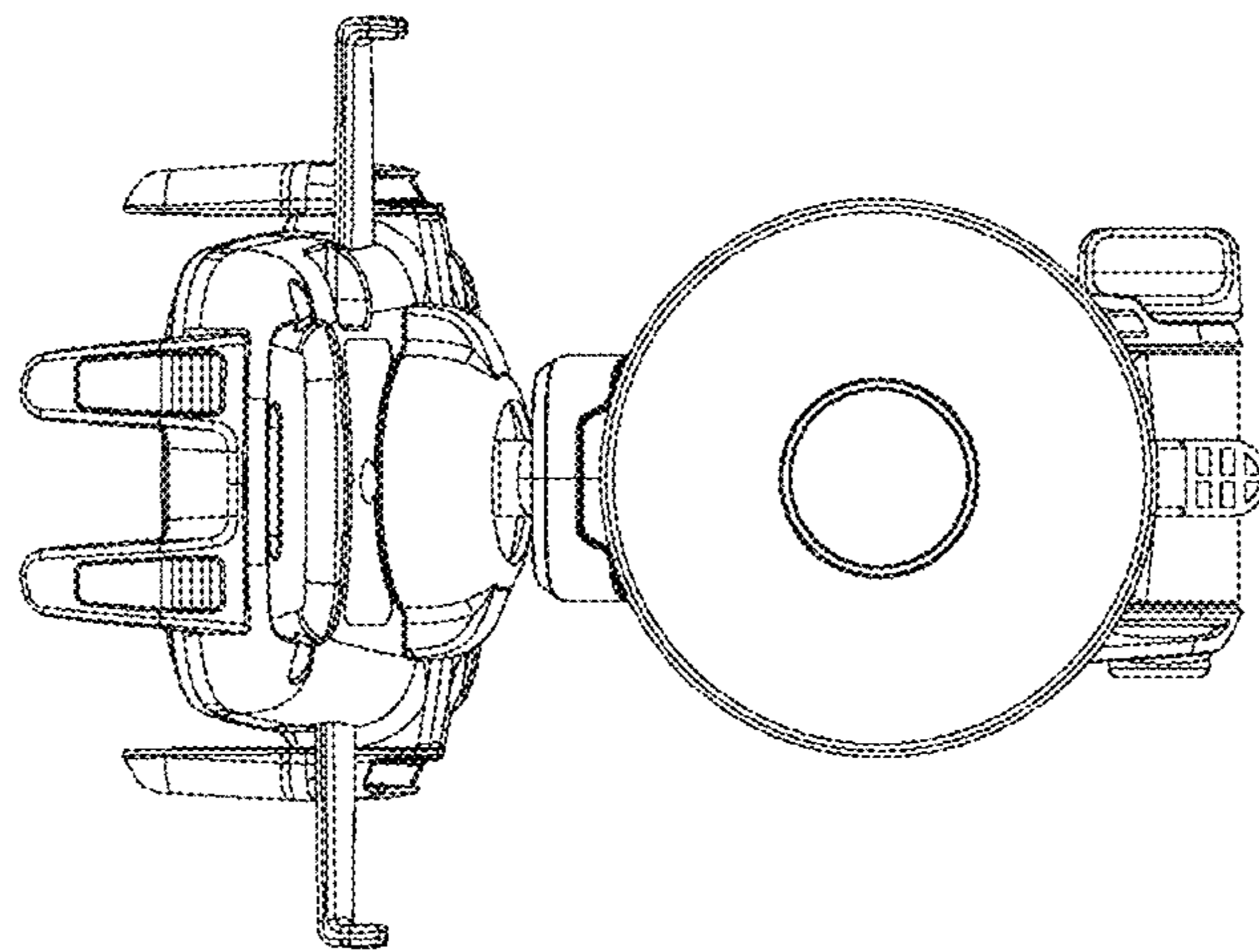


FIGURE 8