



US00D875089S

(12) **United States Design Patent** (10) **Patent No.:** **US D875,089 S**  
**Hemesath et al.** (45) **Date of Patent:** **\*\* Feb. 11, 2020**

(54) **PORTABLE ELECTRONIC DEVICE CASE**

- (71) Applicant: **Incipio, LLC**, Irvine, CA (US)
- (72) Inventors: **Timothy Hemesath**, Clovis, CA (US);  
**Sung Truong**, Costa Mesa, CA (US)
- (73) Assignee: **Incipio, LLC**, Irvine, CA (US)
- (\*\*) Term: **15 Years**
- (21) Appl. No.: **29/631,305**
- (22) Filed: **Dec. 28, 2017**
- (51) **LOC (12) Cl.** ..... **14-03**
- (52) **U.S. Cl.**  
USPC ..... **D14/250**
- (58) **Field of Classification Search**  
USPC ..... D14/250; D3/218, 249  
CPC ..... A45C 2011/002; A45F 2200/0516  
See application file for complete search history.

(56) **References Cited**

**U.S. PATENT DOCUMENTS**

D682,260	S *	5/2013	Tages	D14/250
D700,598	S *	3/2014	Kim	D14/250
D724,065	S *	3/2015	Fathollahi	D14/250
D747,708	S *	1/2016	Roberts	D14/250
D786,853	S *	5/2017	Friedland	D14/250
D787,497	S *	5/2017	Friedland	D14/250
9,929,764	B2 *	3/2018	Del Toro	H04B 1/3888
D821,380	S *	6/2018	Cramer	D14/250
D844,621	S *	4/2019	Chen	D14/440
D847,807	S *	5/2019	Wright	D14/250
2012/0327565	A1 *	12/2012	Tages	B29C 45/1676 361/679.01
2015/0014188	A1 *	1/2015	Pyo	A45C 11/00 206/37
2016/0198026	A1 *	7/2016	Del Toro	H04B 1/3888 455/575.8
2016/0286025	A1 *	9/2016	Elgrissy	H04M 1/72527

(Continued)

**OTHER PUBLICATIONS**

Evutec Apple iPhone Case, posted at amazon.com, posting date by Mar. 11, 2016, [online], [site visited May 14, 2019]. Available from Internet, <URL: <https://www.amazon.com/Evutec-Absorbent-Hardened-Polycarbonate-Ballistic/dp/B01BV48FY6>> (Year: 2016).\*  
(Continued)

*Primary Examiner* — George D. Kirschbaum  
*Assistant Examiner* — Maria J Edwards

(57) **CLAIM**

The ornamental design for a portable electronic device case, as shown and described.

**DESCRIPTION**

FIG. 1 is a front perspective view of a portable electronic device case.

FIG. 2 is a rear perspective view of the portable electronic device case of FIG. 1.

FIG. 3 is a front view of the portable electronic device case of FIG. 1.

FIG. 4 is a left side view of the portable electronic device case of FIG. 1.

FIG. 5 is a right side view of the portable electronic device case of FIG. 1.

FIG. 6 is a rear view of the portable electronic device case of FIG. 1.

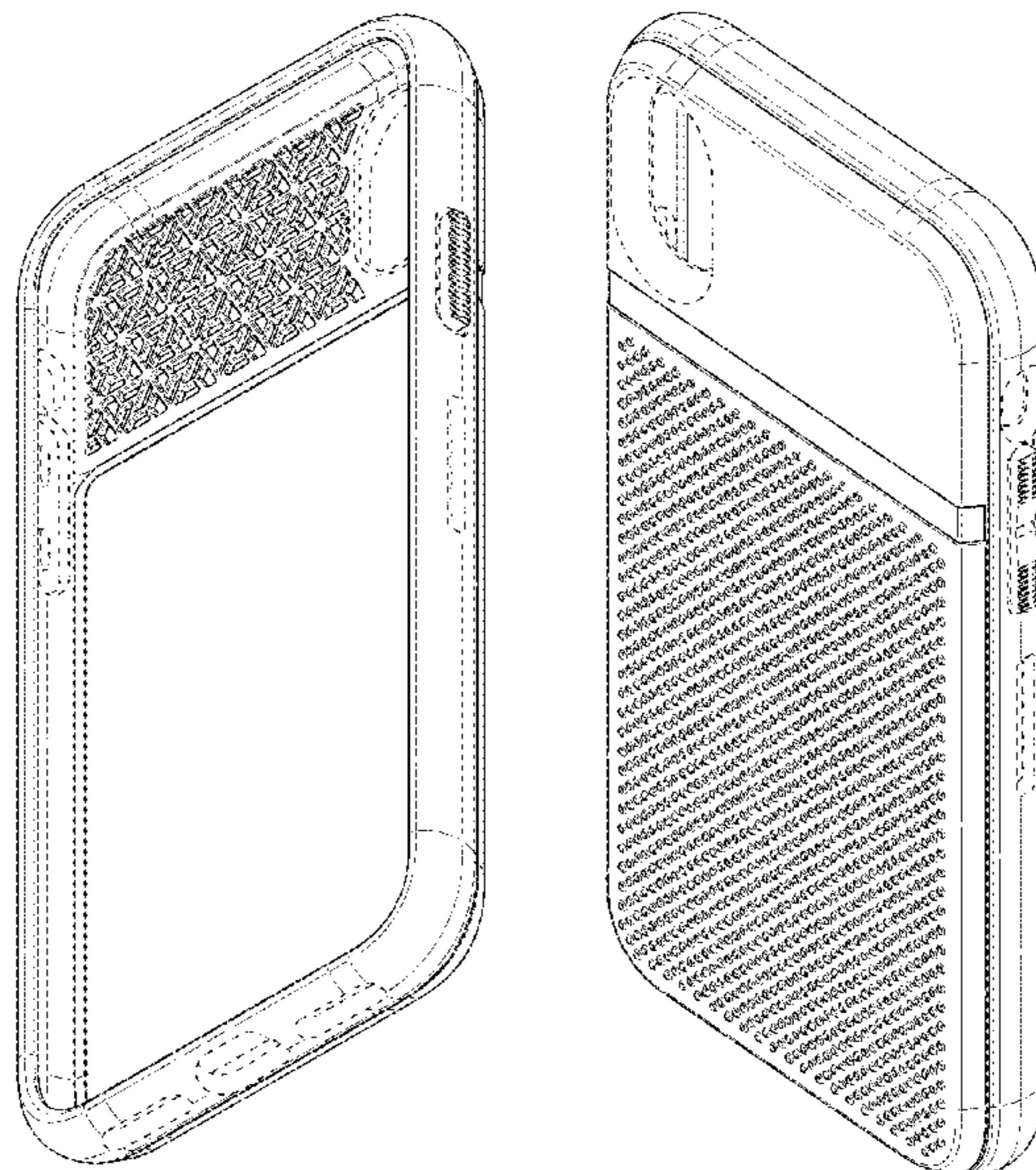
FIG. 7 is a top view of the portable electronic device case of FIG. 1.

FIG. 8 is a bottom view of the portable electronic device case of FIG. 1; and,

FIG. 9 is a rear perspective view of the portable electronic device case of FIG. 1 showing a back cover being partially open.

The broken lines depict environmental subject matter and form no part of the claimed design.

**1 Claim, 5 Drawing Sheets**



(56)

**References Cited**

## U.S. PATENT DOCUMENTS

2016/0315649 A1 \* 10/2016 Liu ..... H04B 1/3888

## OTHER PUBLICATIONS

Incipio NGP Advanced iPhone 8 Plus & iPhone 7 Plus Case, posted at amazon.com, posting date by Sep. 23, 2016, [online], [site visited May 14, 2019]. Available from Internet, <URL: <https://www.amazon.com/Incipio-Advanced-Textured-Honeycombed-Interior/dp/B01JPHZGPW>> (Year: 2016).\*

Incipio NGP Advanced iPhone X case, posted at amazon.com, posting date by Nov. 10, 2017, [online], [site visited May 14, 2019]. Available from Internet, <URL: <https://www.amazon.com/Incipio-Advanced-Textured-Honeycombed-Interior/dp/B075RGHNJM>> (Year: 2017).\*

Incipio Stashback Wallet Case for iPhone, posted at amazon.com, posting date by Oct. 22, 2018, [online], [site visited May 14, 2019]. Available from Internet, <URL: <https://www.amazon.com/Incipio-Stashback-Wallet-iPhone-Compartment/dp/B07G8MS1HJ>> (Year: 2018).\*

LOHASIC Only for iPhone X Case, posted at amazon.com, posting date by Feb. 4, 2018, [online], [site visited May 14, 2019]. Available from Internet, <URL: <https://www.amazon.com/LOHASIC-Excellent-Shockproof-Protection-Compatible/dp/B077MB6W4T>> (Year: 2018).\*

Rosebono Fashion iPhone Xs Max Case, posted at amazon.com, posting date not given, [online], [site visited May 14, 2019]. Available from Internet, <URL: <https://www.amazon.com/Rosebono-Lightweight-Anti-Scratch-Absorbent-Protective/dp/B07HB9M4J1>> (Year: 2019).\*

Xtanb i Phone Xs Max 2018 Case, posted at amazon.com, posting date not given, [online], [site visited May 14, 2019]. Available from Internet, <URL: <https://www.amazon.com/xtanb-iPhone-Pattern-Silicone-Shockproof/dp/B07KWZZ5FL>> (Year: 2019).\*

\* cited by examiner

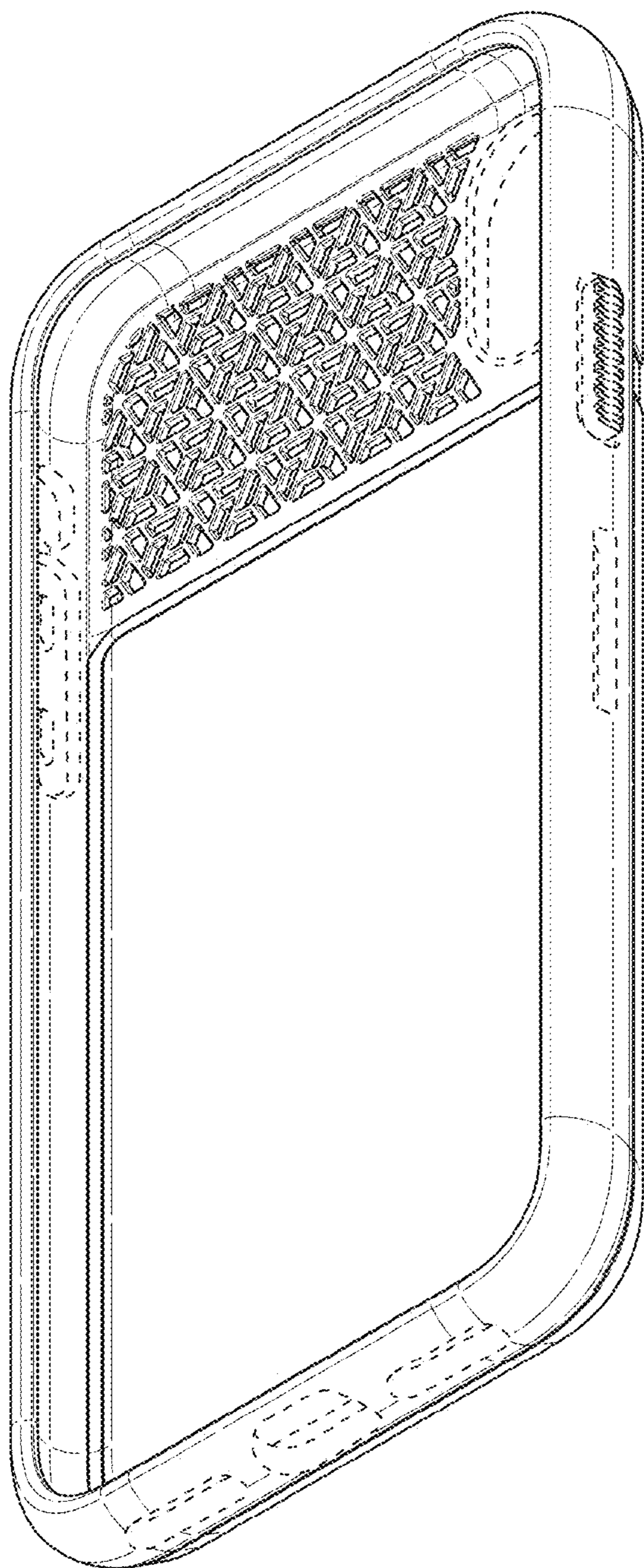


FIG. 1

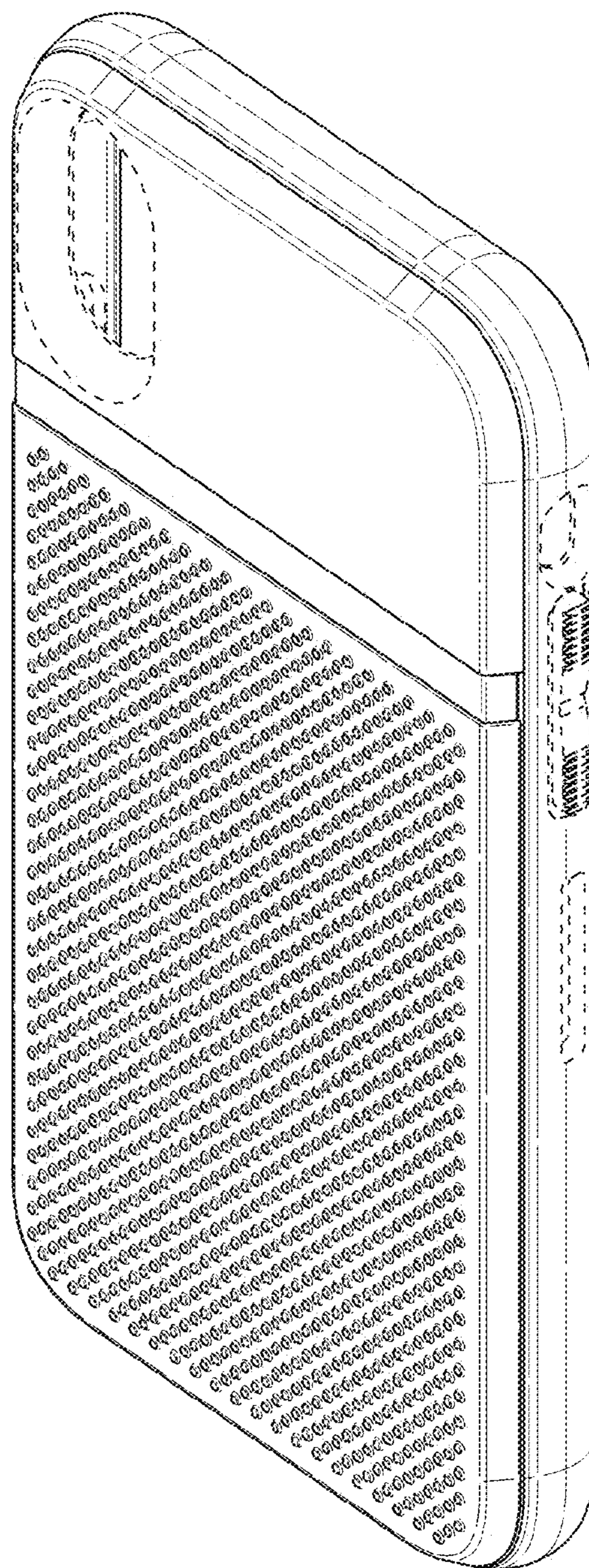
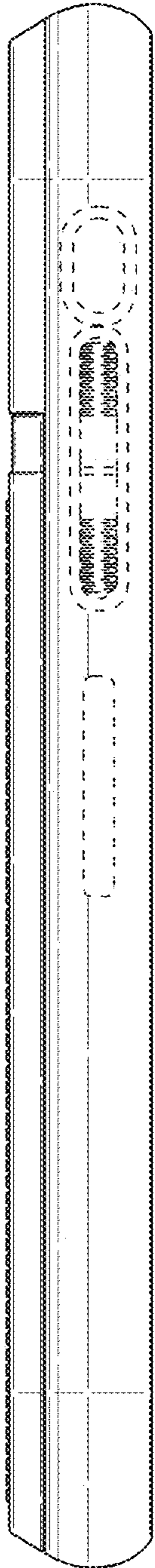
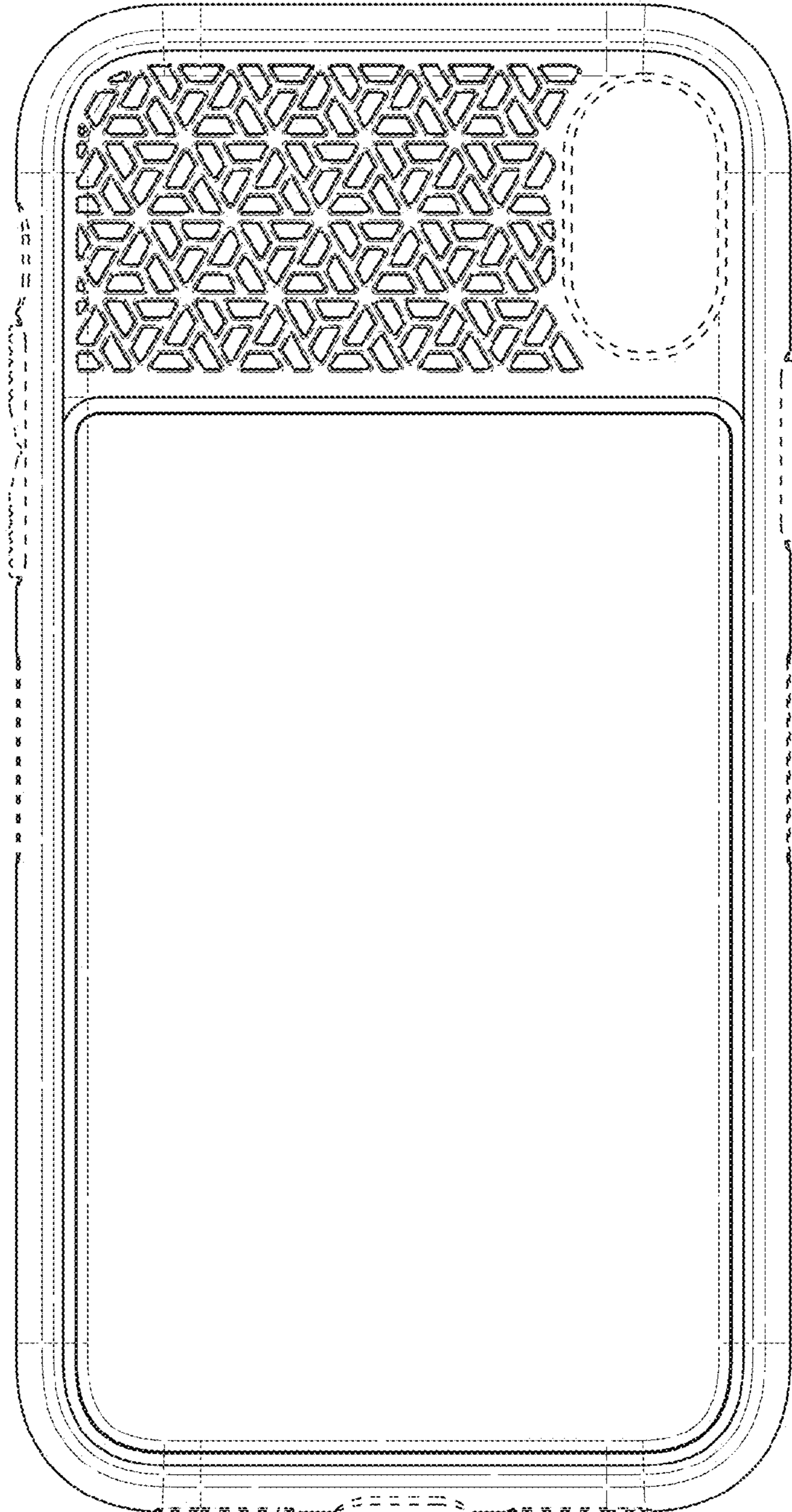


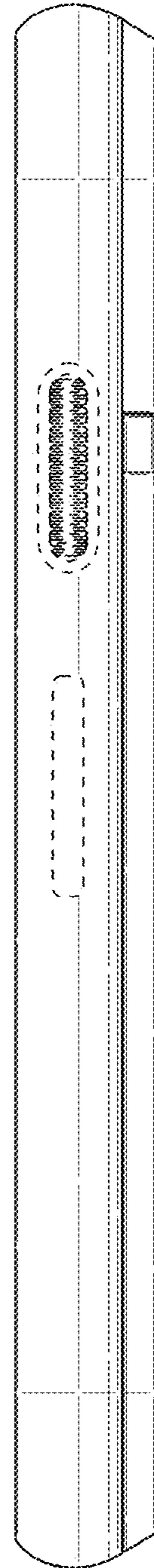
FIG. 2



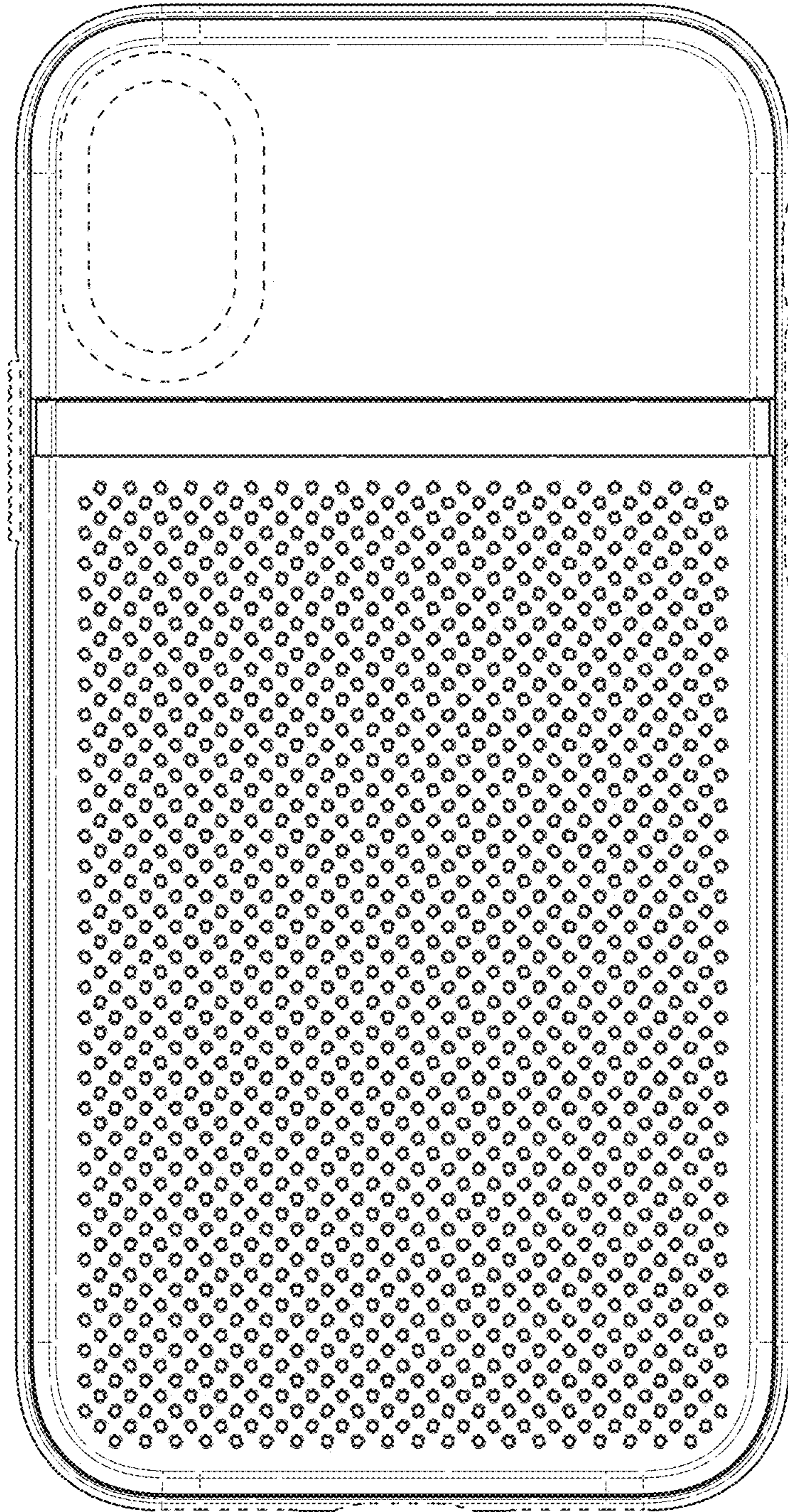
*FIG. 4*



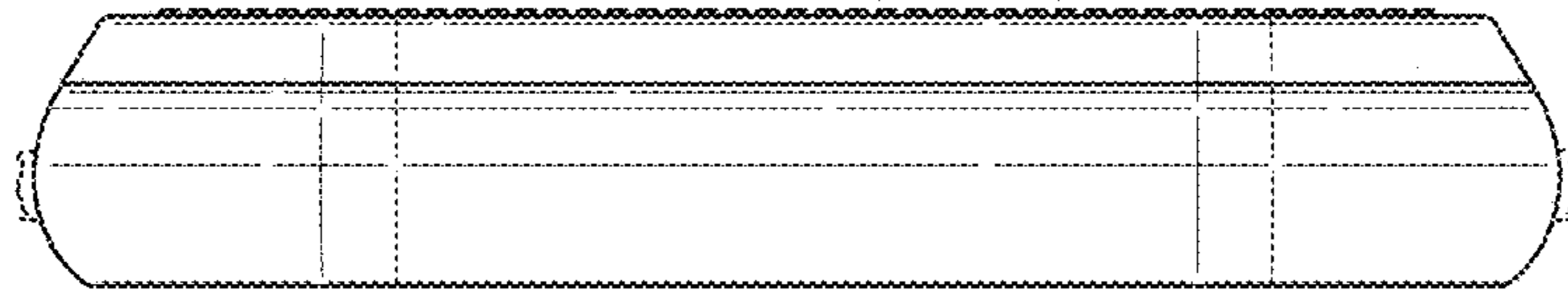
*FIG. 3*



*FIG. 5*



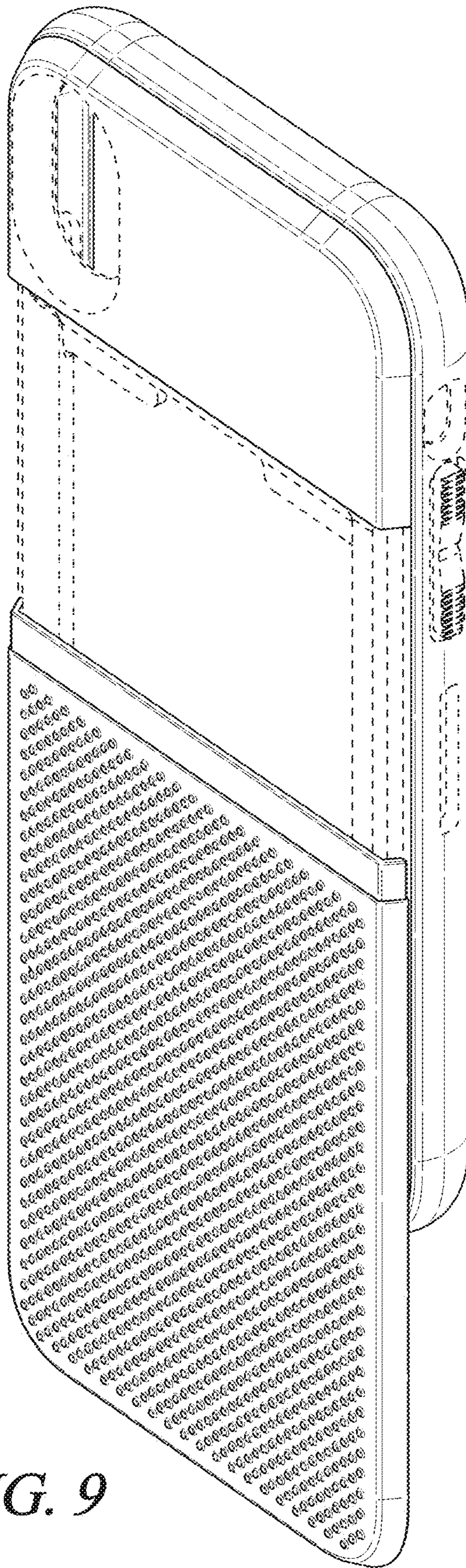
*FIG. 6*



*FIG. 7*



*FIG. 8*



**FIG. 9**