



US00D875088S

(12) **United States Design Patent** (10) **Patent No.:** **US D875,088 S**  
**Petros** (45) **Date of Patent:** **\*\* Feb. 11, 2020**

(54) **BRACKET ANTENNA MODULE**  
(71) Applicant: **Taoglas Group Holdings Limited**,  
Enniscorthy, County Wexford (IE)  
(72) Inventor: **Argy Petros**, Parkland, FL (US)  
(73) Assignee: **TAOGLAS GROUP HOLDINGS LIMITED**, Enniscorthy, County  
Wexford (IE)  
  
(\*\*) Term: **15 Years**  
(21) Appl. No.: **29/644,350**  
(22) Filed: **Apr. 17, 2018**  
(51) **LOC (12) Cl.** ..... **14-03**  
(52) **U.S. Cl.**  
USPC ..... **D14/230**  
(58) **Field of Classification Search**  
USPC ..... D14/138, 230-238, 299, 358; D12/42,  
D12/43  
CPC ..... H01Q 7/00; H01Q 13/10; H01Q 9/285;  
H01Q 19/30; H01Q 19/12; H01Q 1/38;  
H01Q 1/36; H04B 1/0475; H04B 1/034;  
H05K 11/00  
See application file for complete search history.

D764,460 S \* 8/2016 Veja ..... D14/358  
D784,970 S \* 4/2017 MacManus ..... D14/240  
D785,608 S \* 5/2017 Weaver ..... D14/240  
D813,212 S \* 3/2018 Nangeroni ..... D14/240  
D816,070 S \* 4/2018 Marzynski ..... D14/240  
D827,727 S \* 9/2018 McLachlan ..... D21/468  
D834,520 S \* 11/2018 Eshelman ..... D13/139.7  
D837,306 S \* 1/2019 Patison ..... D21/499  
D846,536 S \* 4/2019 Ebrahimi Afrouzi ..... D14/230

\* cited by examiner

*Primary Examiner* — John Windmuller  
(74) *Attorney, Agent, or Firm* — Knobbe, Martens, Olson  
& Bear, LLP; Kevin J. Everett

(57) **CLAIM**

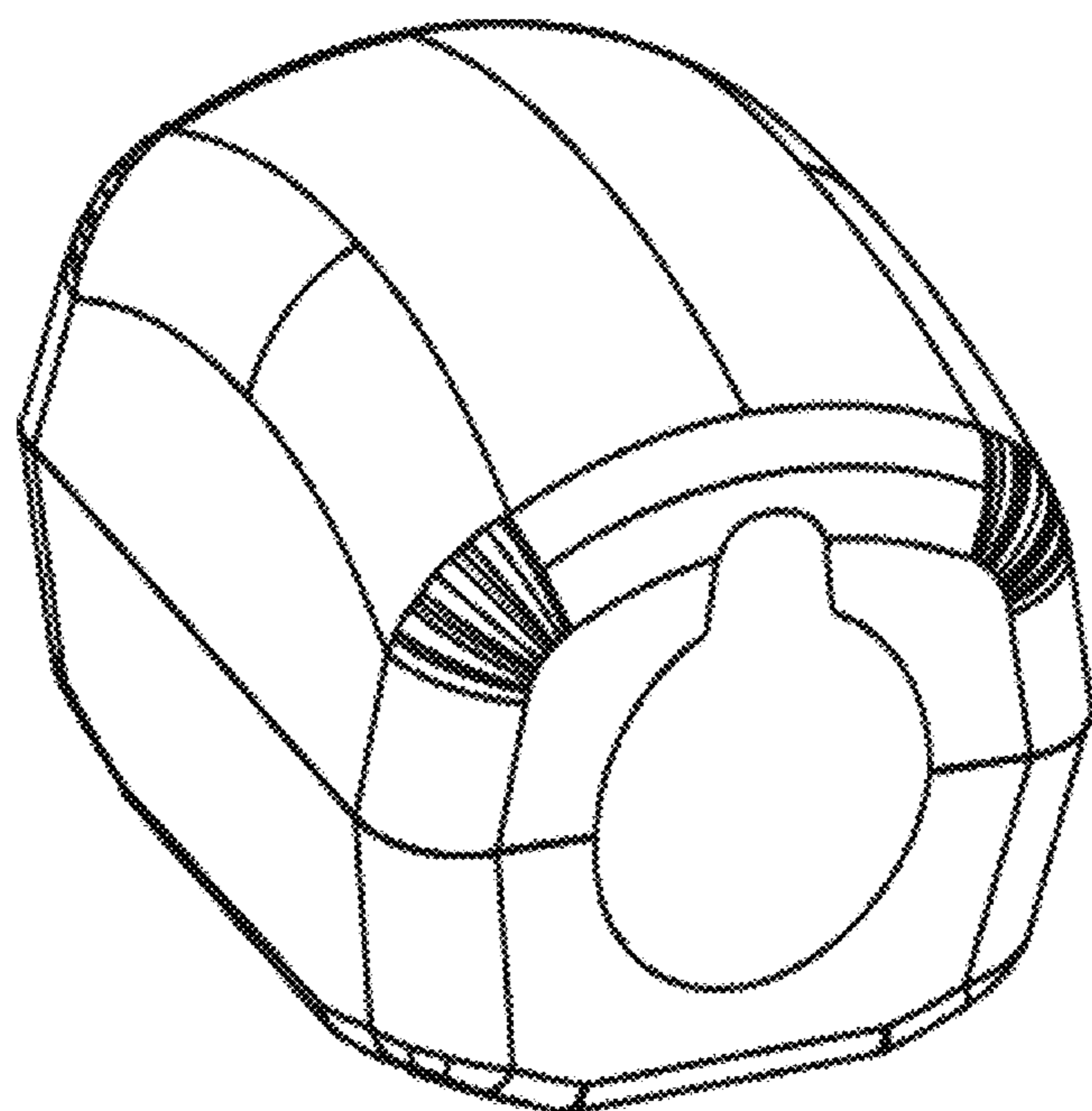
The ornamental design for a bracket antenna module, as shown and described.

**DESCRIPTION**

FIG. 1 is a perspective top left view of a bracket antenna module according to the present invention; FIG. 2 is a front elevational view thereof; FIG. 3 is a rear elevational view thereof; FIG. 4 is a left side elevational view thereof; FIG. 5 is a top plan view thereof; and, FIG. 6 is a left side elevational view showing the bracket antenna module in use, mounted around a mirror bar of a truck.  
The right side elevational view of the bracket antenna module is a mirror image of the left side elevational view thereof.  
The broken lines shown in FIG. 6 illustrate environmental subject matter only, such as a mirror bar and part of a truck, and form no part of the claimed design.

**1 Claim, 3 Drawing Sheets**

(56) **References Cited**  
U.S. PATENT DOCUMENTS  
D152,992 S \* 3/1949 Ludwig ..... D13/139.7  
3,225,460 A \* 12/1965 Randell ..... A63F 9/24  
434/236  
8,688,272 B2 \* 4/2014 Hong ..... G05D 1/0234  
700/253  
D731,449 S \* 6/2015 Norman ..... D13/184  
D735,130 S \* 7/2015 Huang ..... D13/108



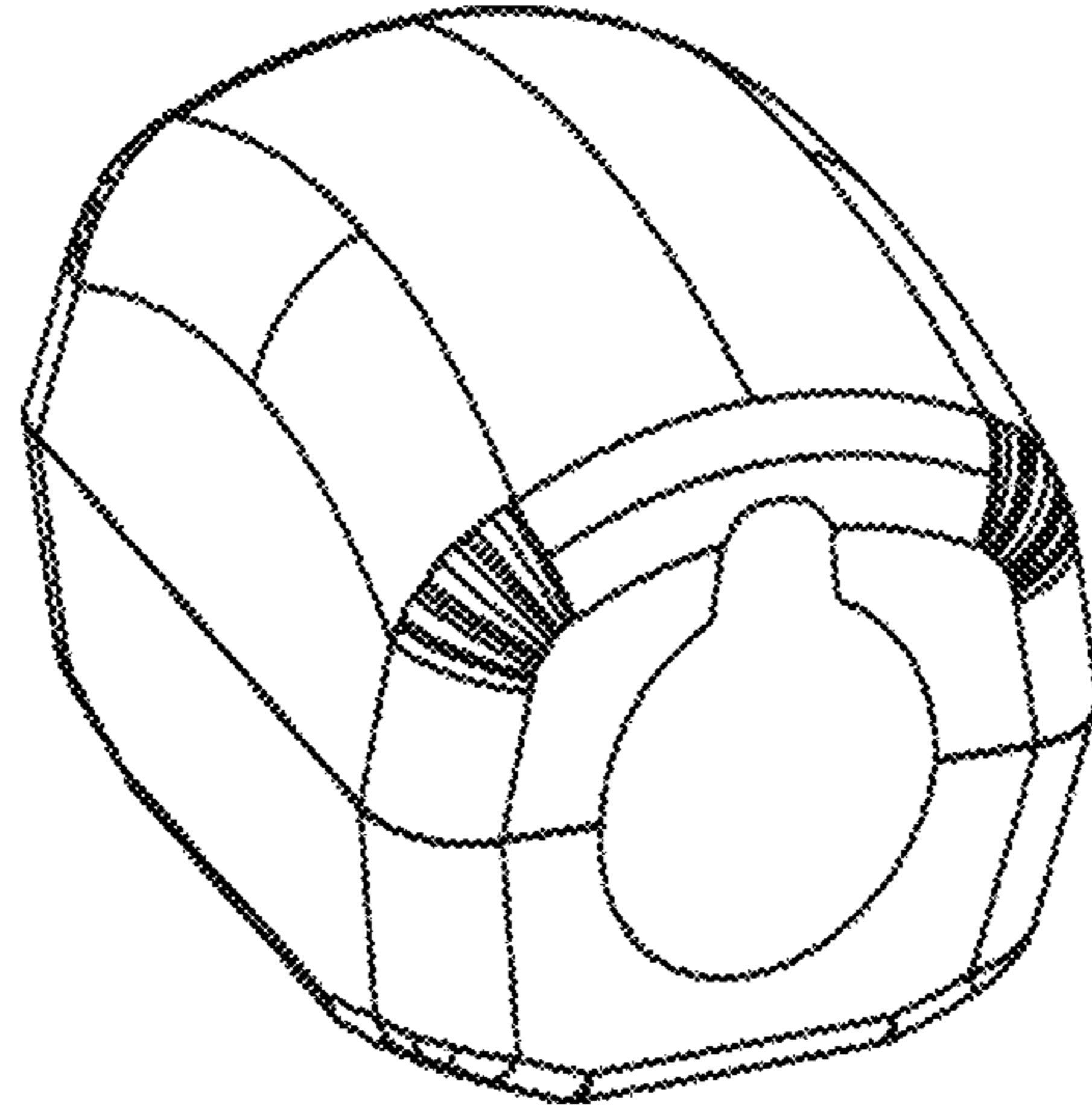


FIG. 1

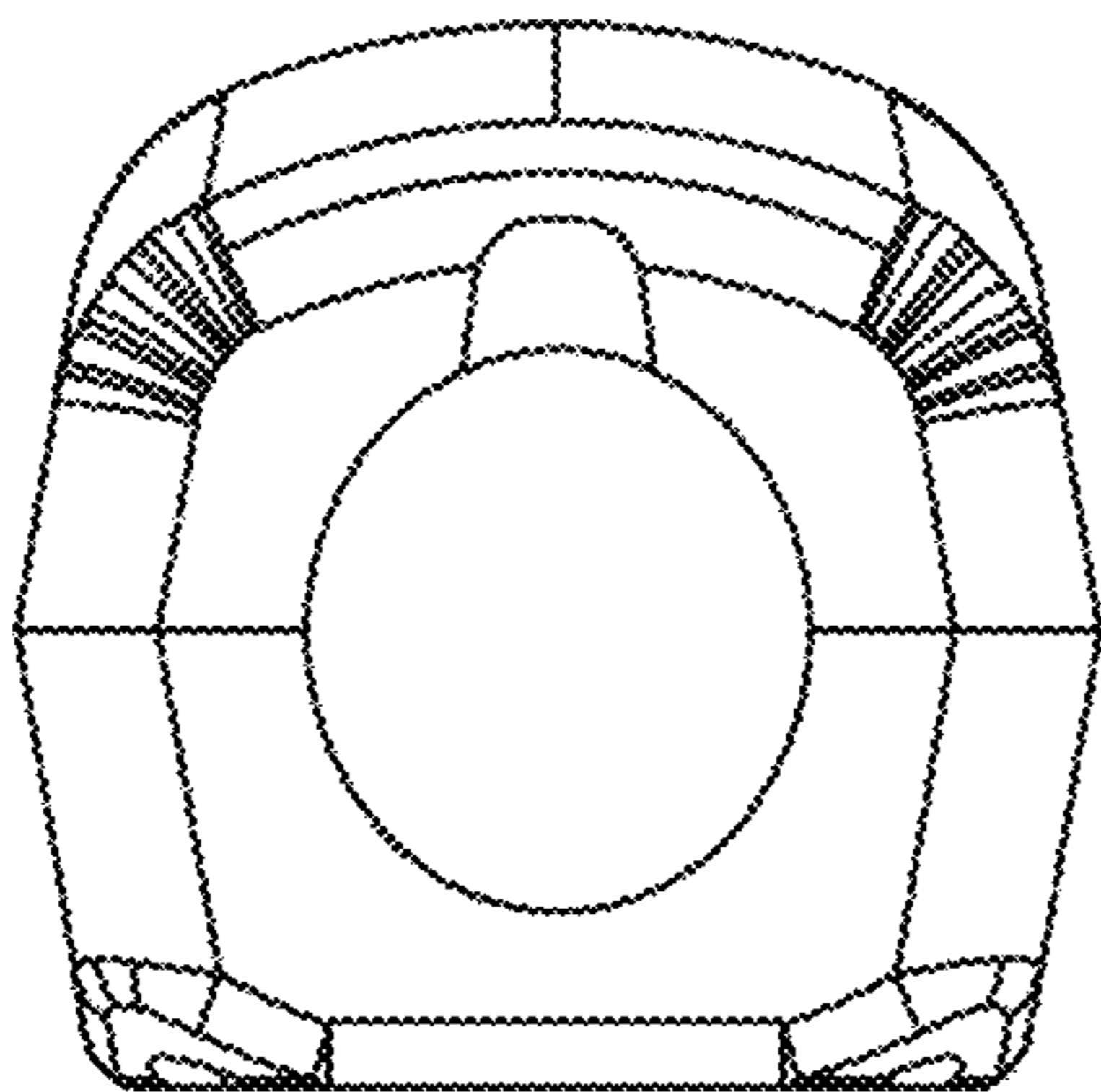


FIG. 2

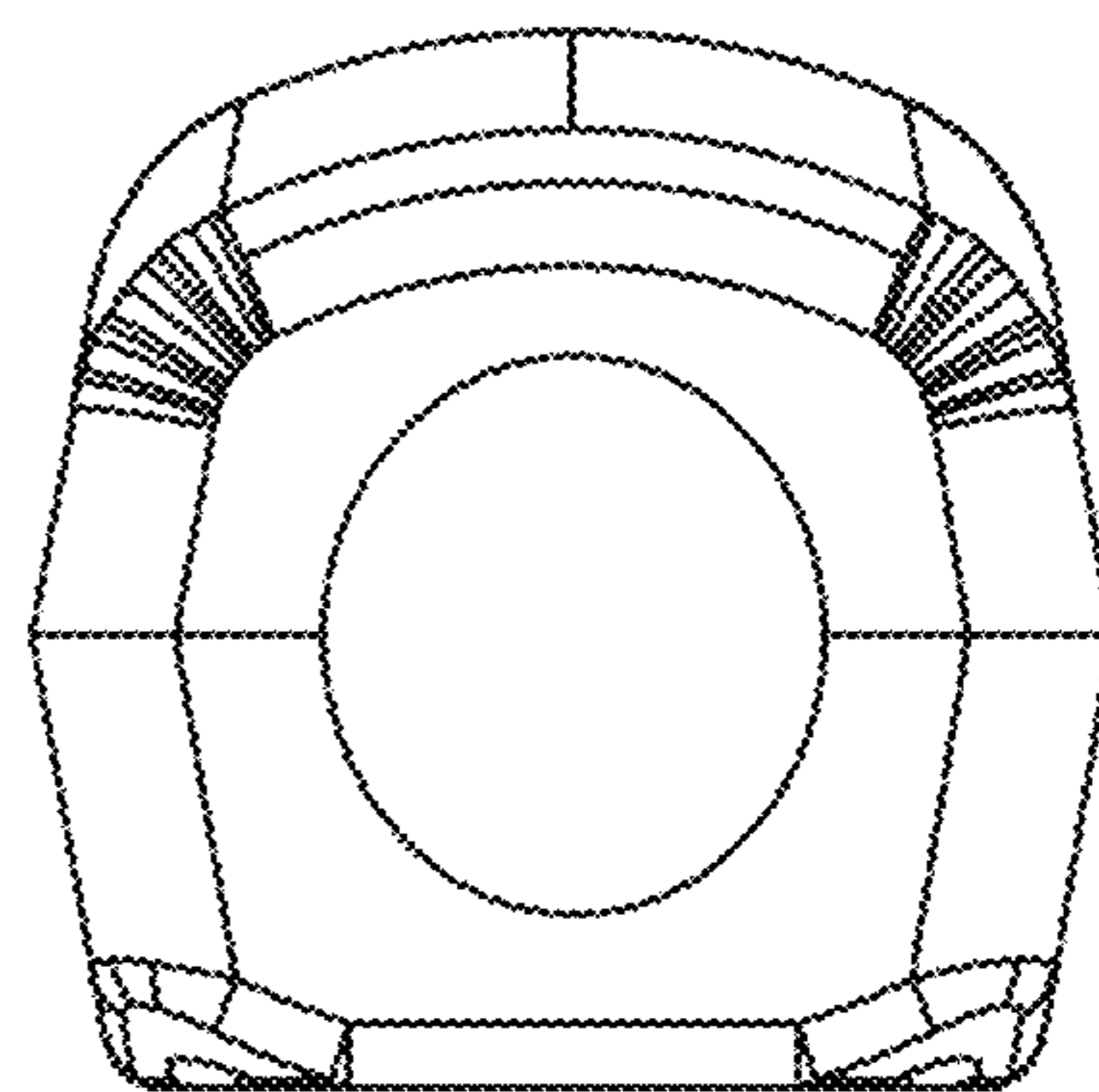


FIG. 3

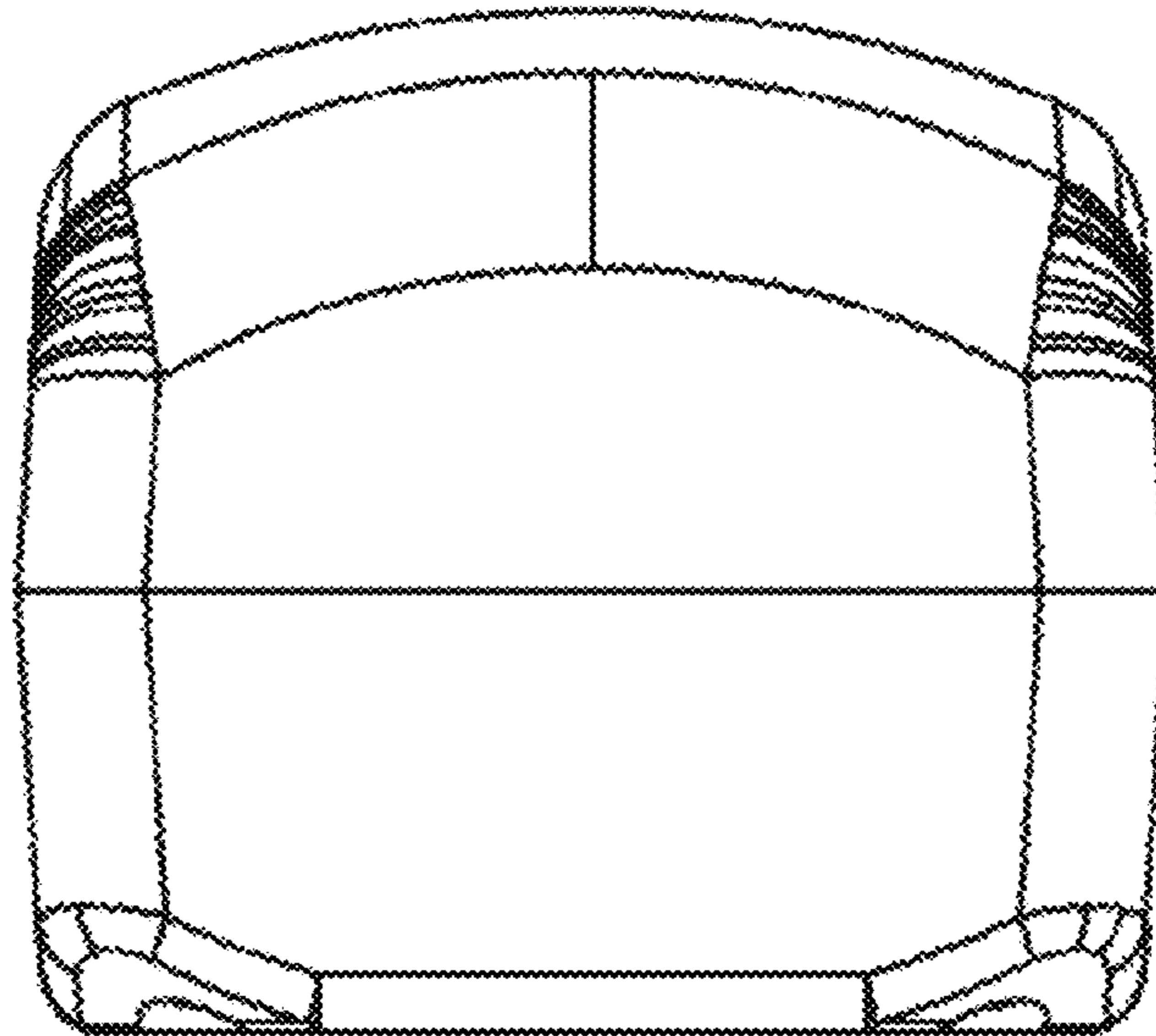


FIG. 4

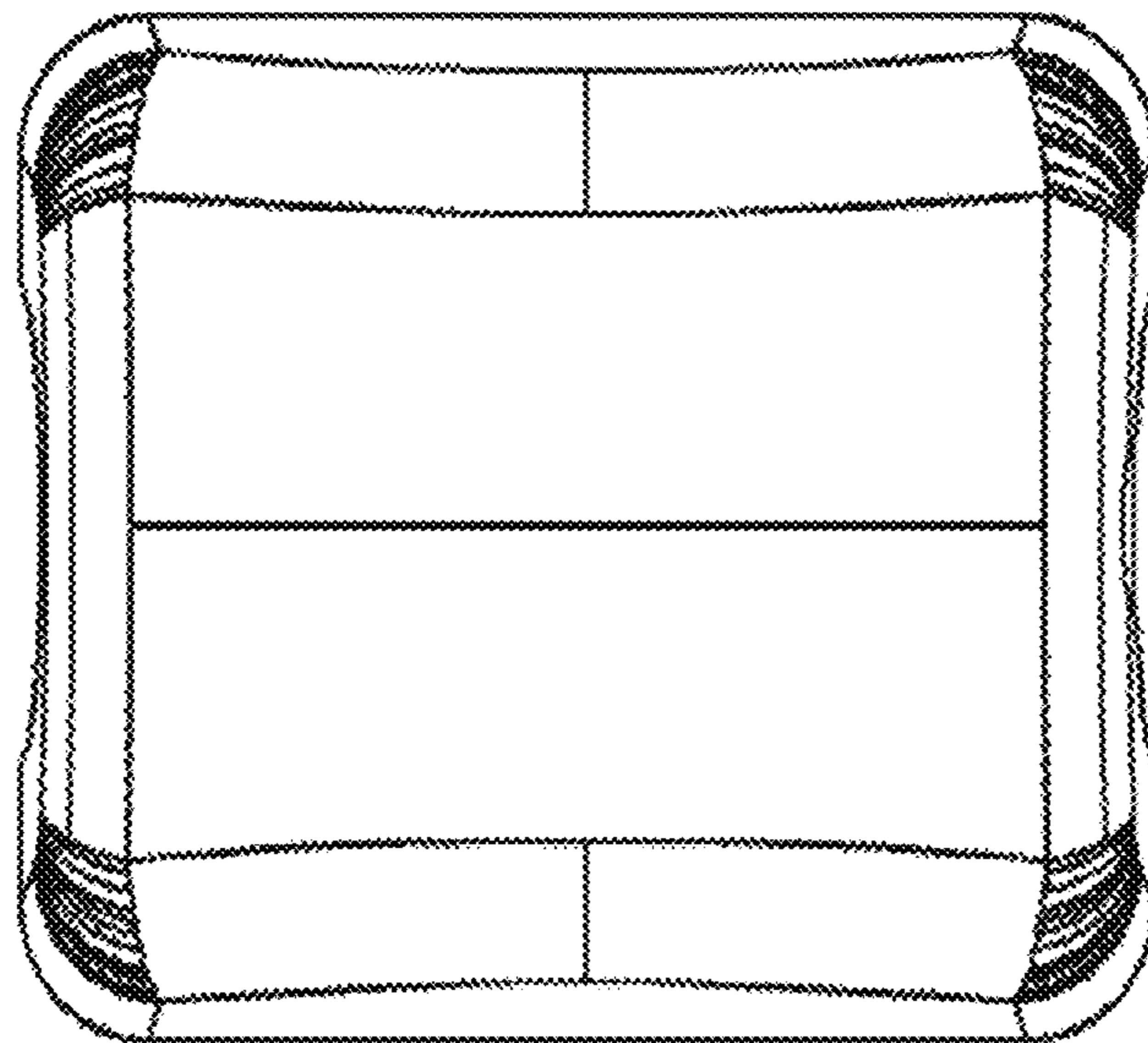


FIG. 5

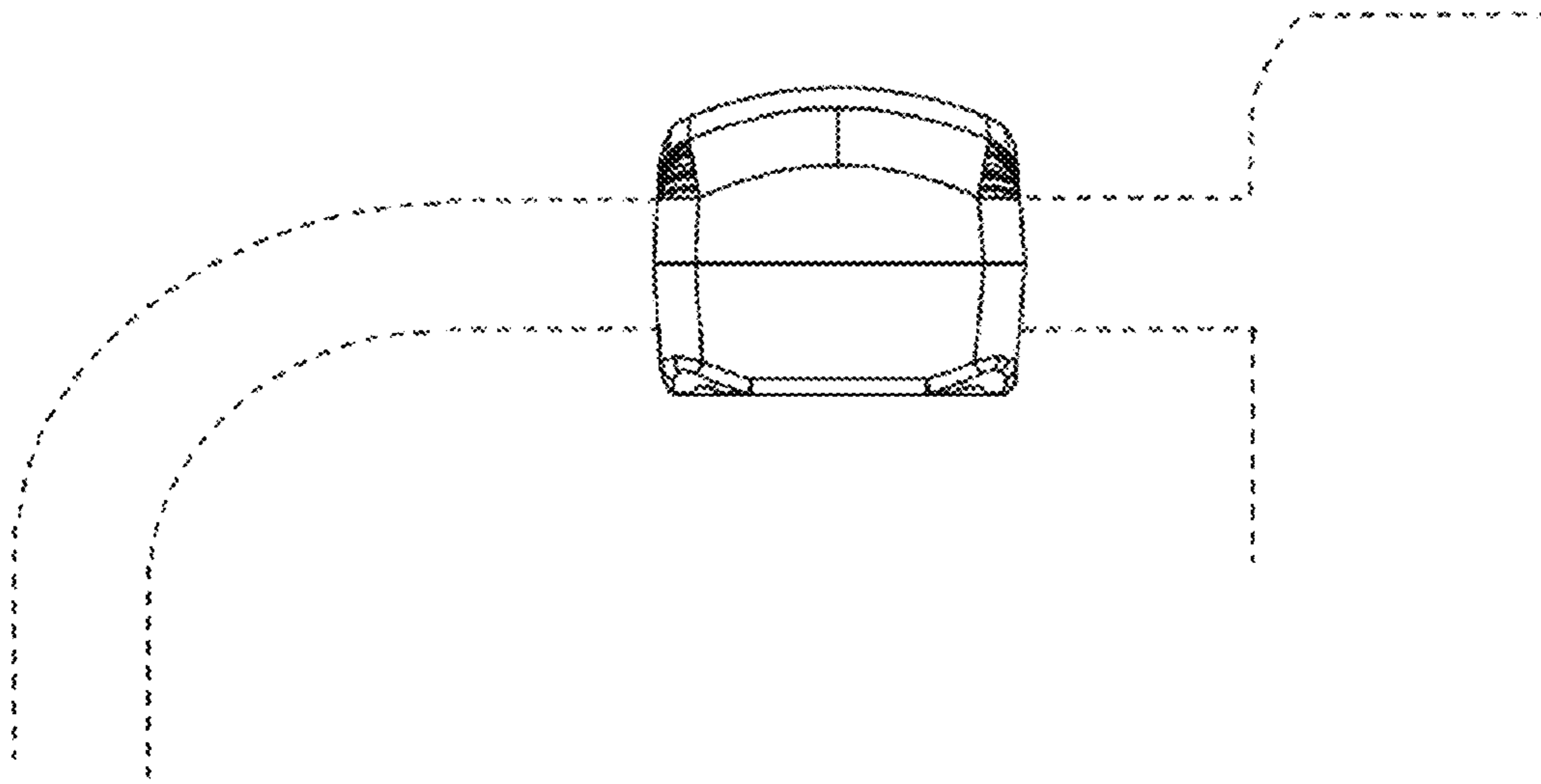


FIG. 6