



US00D875087S

(12) **United States Design Patent** (10) **Patent No.:** **US D875,087 S**
Petros (45) **Date of Patent:** **** Feb. 11, 2020**

(54) **COMPACT ANTENNA MODULE**
(71) Applicant: **Argy Petros**, Parkland, FL (US)
(72) Inventor: **Argy Petros**, Parkland, FL (US)
(73) Assignee: **TAOGLAS GROUP HOLDINGS LIMITED**, Enniscorthy, County Wexford (IE)
(**) Term: **15 Years**
(21) Appl. No.: **29/644,327**
(22) Filed: **Apr. 17, 2018**
(51) **LOC (12) Cl.** **14-03**
(52) **U.S. Cl.**
USPC **D14/230**
(58) **Field of Classification Search**
USPC D14/138, 230-238, 299, 358; D12/42, D12/43
CPC H01Q 7/00; H01Q 13/10; H01Q 9/285; H01Q 19/30; H01Q 19/12; H01Q 1/38; H01Q 1/36; H04B 1/0475; H04B 1/034; H05K 11/00
See application file for complete search history.

D753,639 S * 4/2016 Marzynski D14/240
D784,970 S * 4/2017 MacManus D14/240
D785,608 S * 5/2017 Weaver D14/240
9,716,318 B2 * 7/2017 Shirley H01O 23/00
D813,209 S * 3/2018 Johnson D14/230
D815,621 S * 4/2018 Anderson D14/230
D816,070 S * 4/2018 Marzynski D14/240
D835,085 S * 12/2018 Burmeister-Brown D14/240
D839,244 S * 1/2019 Johnson D14/230
D841,583 S * 2/2019 Spiegel D13/110
D846,537 S * 4/2019 Wild D14/240
D853,367 S * 7/2019 Moon D14/240
2013/0264144 A1 * 10/2013 Hudson H04R 1/02 181/282

* cited by examiner

Primary Examiner — John Windmuller

(74) *Attorney, Agent, or Firm* — Knobbe, Martens, Olson & Bear, LLP; Kevin J. Everett

(57) **CLAIM**

The ornamental design for a compact antenna module, as shown and described.

DESCRIPTION

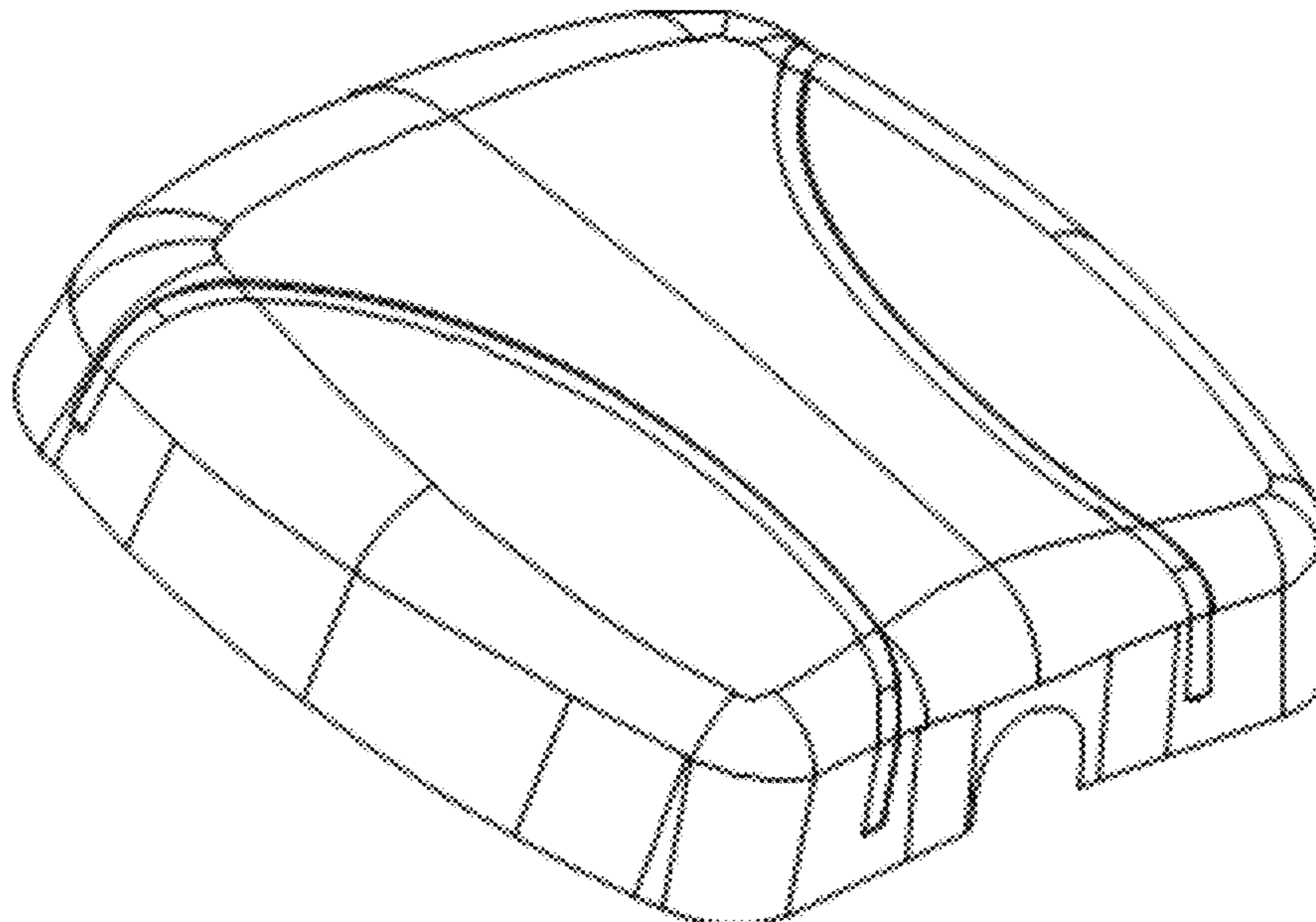
FIG. 1 is a perspective top left view of a compact antenna module according to the present invention; FIG. 2 is a front elevational view thereof; FIG. 3 is a rear elevational view thereof; FIG. 4 is a left side elevational view thereof; FIG. 5 is a right side elevational view thereof; FIG. 6 is a top plan view thereof; and, FIG. 7 is a left side elevational view showing the compact antenna module in use, mounted on a trunk lid of a vehicle. The broken lines shown in FIG. 7 illustrate environmental subject matter only, such as a trunk lid and part of a vehicle, and form no part of the claimed design.

1 Claim, 3 Drawing Sheets

(56) **References Cited**

U.S. PATENT DOCUMENTS

D497,074 S * 10/2004 Dardashti D6/407
D593,078 S * 5/2009 Sato D14/230
D635,940 S * 4/2011 Cho D14/125
D641,740 S * 7/2011 Jeon D14/140.6
D677,635 S * 3/2013 Ling D13/177
D694,233 S * 11/2013 Hoofnagle D14/356
D705,201 S * 5/2014 Isaacs D14/240
D719,153 S * 12/2014 Lim D14/356
D730,328 S * 5/2015 Chun D14/230
D743,359 S * 11/2015 Tatem D14/125



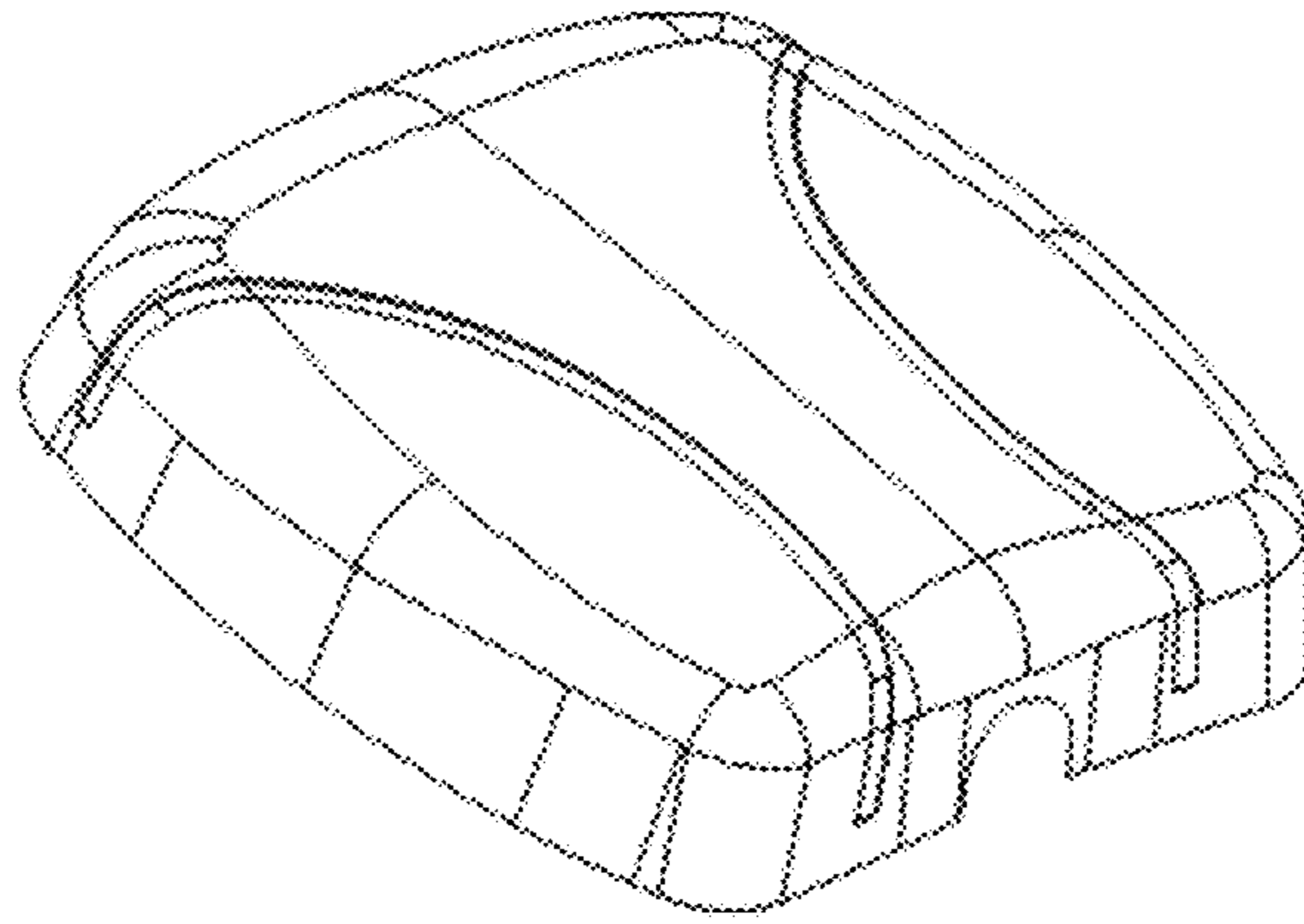


FIG. 1

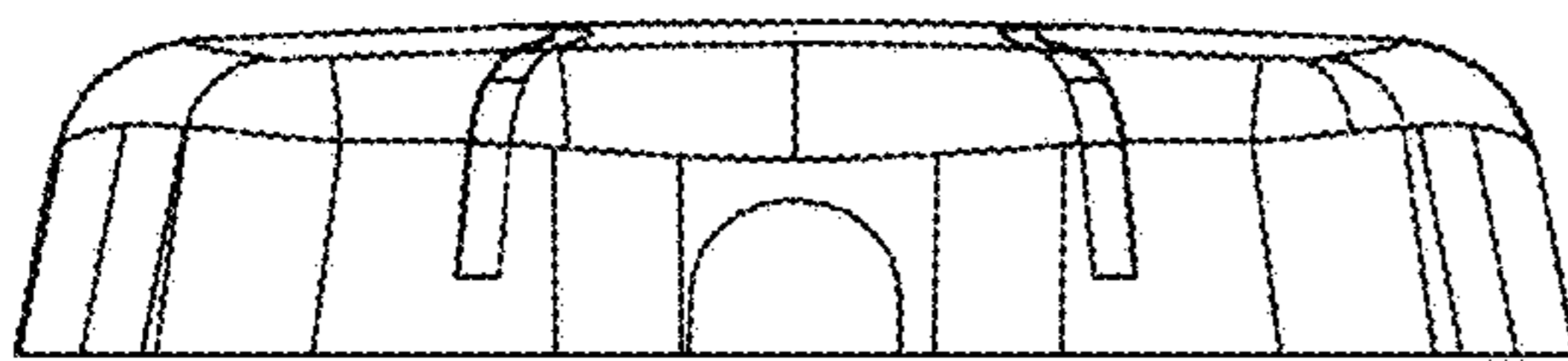


FIG. 2

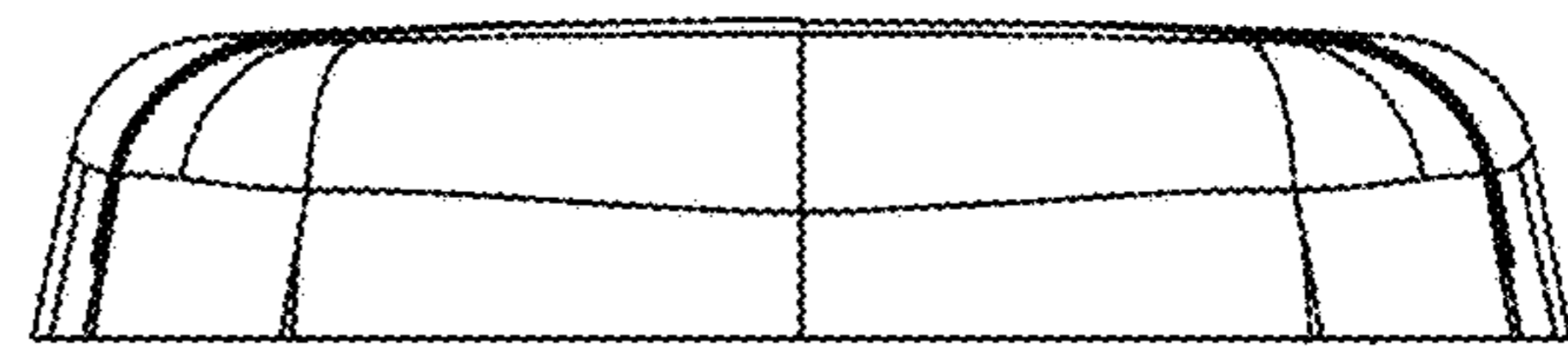


FIG. 3

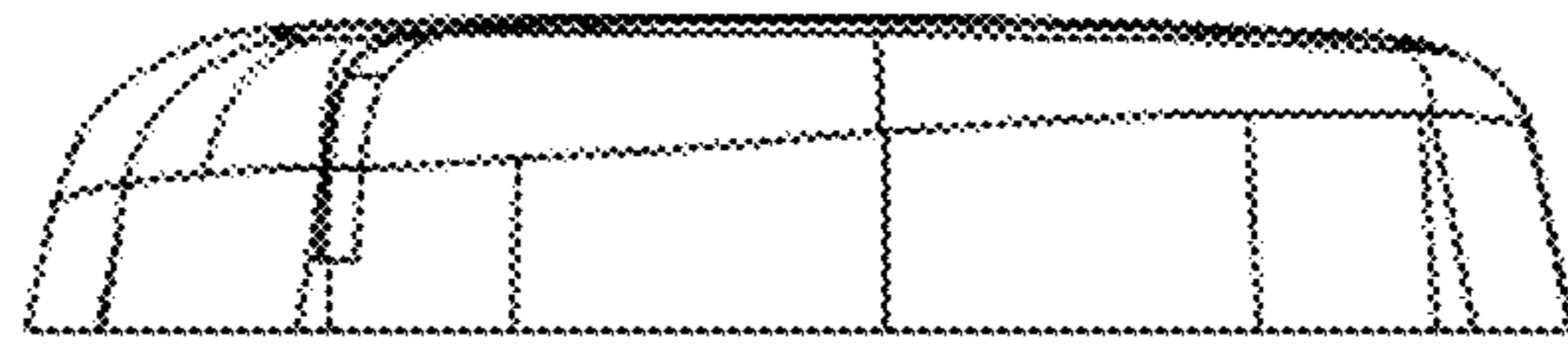


FIG. 4

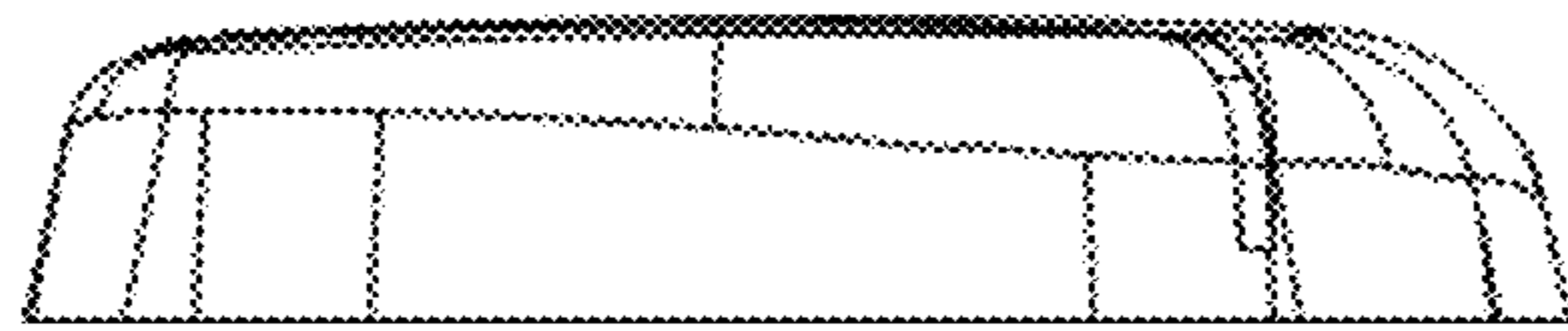


FIG. 5

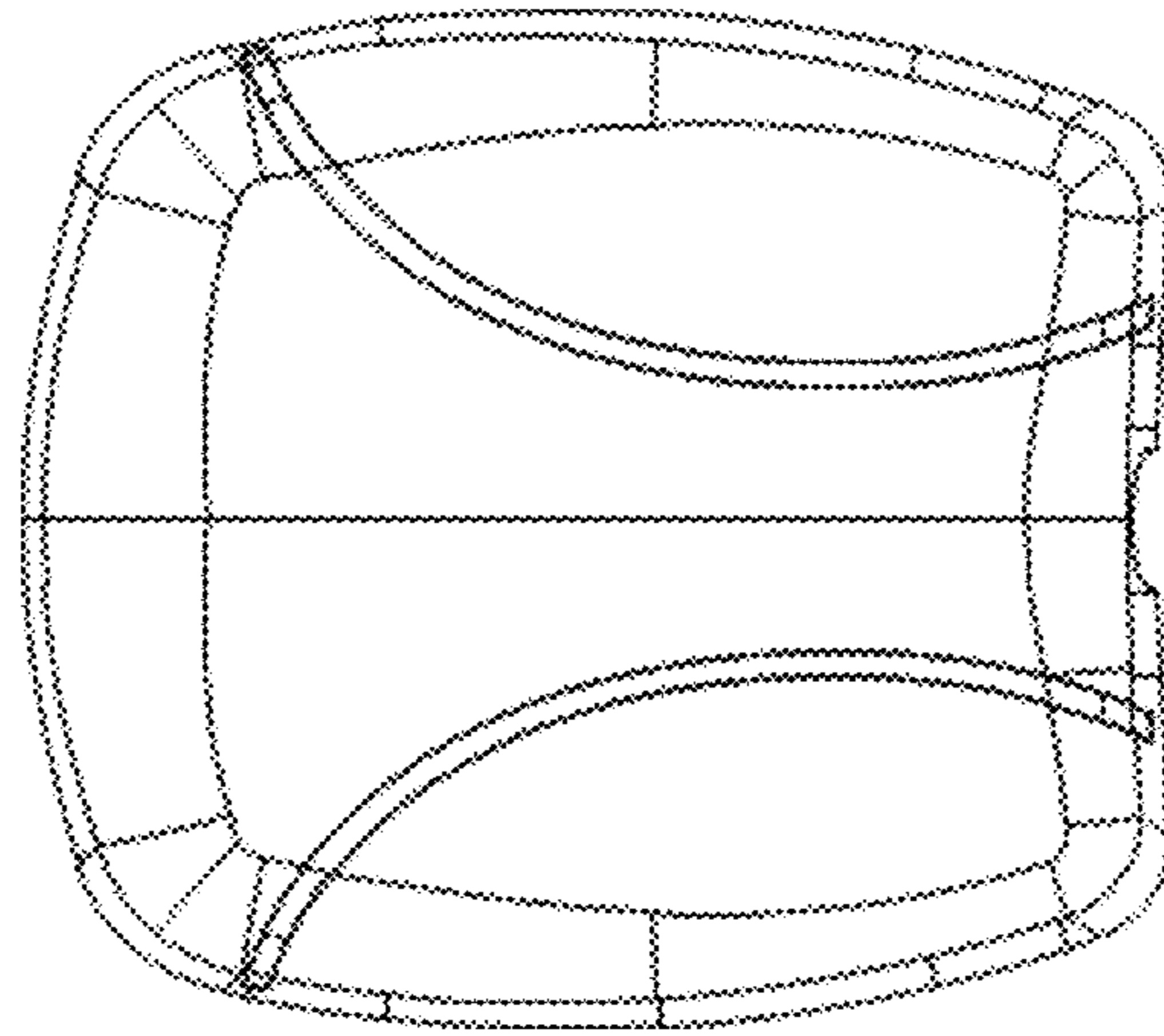


FIG. 6



FIG. 7