



US00D875086S

(12) **United States Design Patent** (10) **Patent No.:** **US D875,086 S**  
**Ahman et al.** (45) **Date of Patent:** **\*\* Feb. 11, 2020**

(54) **ANTENNA HOUSING**

FOREIGN PATENT DOCUMENTS

(71) Applicant: **AXIS AB**, Lund (SE)

TW D154895 7/2013

(72) Inventors: **Daniel Ahman**, Lomma (SE); **Mikael Adervall**, Klagshamn (SE); **Theodor Wahlgren**, Lund (SE); **Alexandra Andersson**, Lund (SE); **Madelene Rudin**, Lund (SE); **Mariano Vozzi**, Malmo (SE); **Mathias Walter**, Arlov (SE)

*Primary Examiner* — Jeffrey D Asch  
*Assistant Examiner* — Rebekah A Caruso  
(74) *Attorney, Agent, or Firm* — Volpe and Koenig, P.C.

(57) **CLAIM**

The ornamental design for an antenna housing, as shown and described.

**DESCRIPTION**

(73) Assignee: **AXIS AB**, Lund (SE)

(\*\*) Term: **15 Years**

(21) Appl. No.: **29/614,661**

(22) Filed: **Aug. 22, 2017**

FIG. 1 is a perspective view of a first embodiment of an antenna housing in accordance with our design; FIG. 2 is a front elevational view thereof; FIG. 3 is a top plan view thereof; FIG. 4 is a left side elevational view thereof; FIG. 5 is a bottom plan view thereof; FIG. 6 is a rear elevational view thereof; and FIG. 7 is a right side elevational view thereof; FIG. 8 is a perspective view of a second embodiment of an antenna housing in accordance with our new design; FIG. 9 is a front elevational view thereof; FIG. 10 is a top plan view thereof; FIG. 11 is a left side elevational view thereof; FIG. 12 is a bottom plan view thereof; FIG. 13 is a rear elevational view thereof; and FIG. 14 is a right side elevational view thereof; FIG. 15 is a perspective view of a third embodiment of an antenna housing in accordance with our new design; FIG. 16 is a front elevational view thereof; FIG. 17 is a top plan view thereof; FIG. 18 is a left side elevational view thereof; FIG. 19 is a bottom plan view thereof; FIG. 20 is a rear elevational view thereof; and FIG. 21 is a right side elevational view thereof. The broken lines shown represent portions of the antenna housing that form no part of the claimed design.

(30) **Foreign Application Priority Data**

Feb. 27, 2017 (EM) ..... 003771146-0001  
Feb. 27, 2017 (EM) ..... 003771146-0002  
(Continued)

(51) **LOC (12) Cl.** ..... **14-03**

(52) **U.S. Cl.**  
USPC ..... **D14/230**

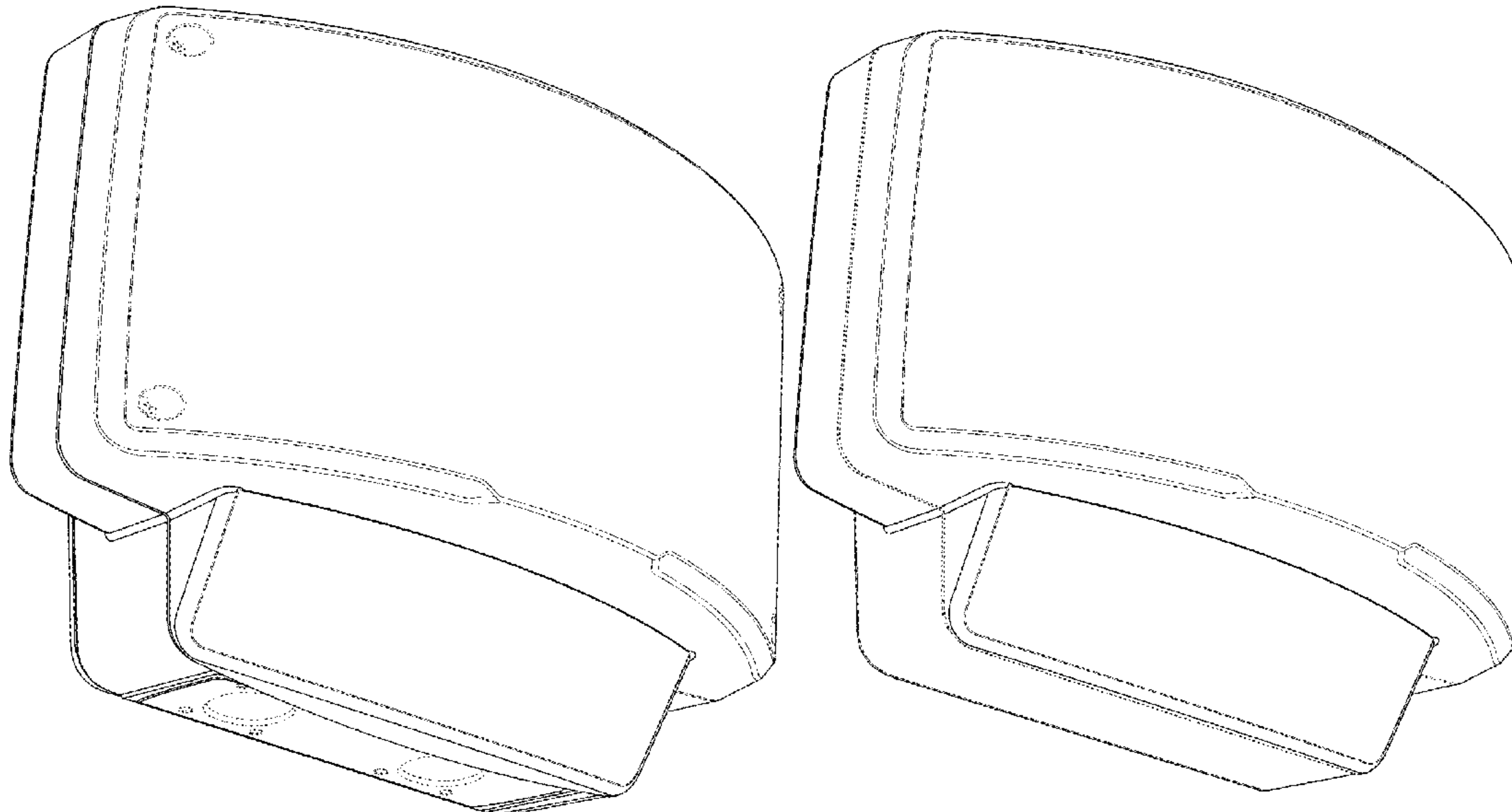
(58) **Field of Classification Search**  
USPC ... D14/230.1, 203.3, 203.6, 230-238, 238.1,  
D14/204, 216, 221, 240, 242, 299, 314,  
(Continued)

(56) **References Cited**

U.S. PATENT DOCUMENTS

D394,266 S \* 5/1998 Hogenbirk ..... D14/240  
D403,320 S 12/1998 Nitsu  
(Continued)

**1 Claim, 15 Drawing Sheets**



(30) **Foreign Application Priority Data**

Feb. 27, 2017 (EM) ..... 003771146-0003  
 Feb. 27, 2017 (EM) ..... 003771146-0004  
 Feb. 27, 2017 (EM) ..... 003771146-0005  
 Feb. 27, 2017 (EM) ..... 003771146-0006

(58) **Field of Classification Search**

USPC ..... D14/343, 496, 509, 497, 498, 500, 506,  
 D14/168–172, 188, 195, 211, 265  
 CPC ..... H01Q 1/12; H01Q 1/22; H01Q 1/007;  
 H01Q 1/38; H01Q 7/00; H01Q 9/40;  
 H01Q 9/285; H01Q 9/065; H01Q 9/44;  
 H01Q 9/265; H01Q 19/10; H01Q 19/106;  
 H01Q 19/12; H01Q 19/13; H01Q 19/15;  
 H01Q 19/30; H01Q 21/28; H01Q 21/06;  
 H01Q 21/062; H01Q 21/293; G05D 1/02;  
 G05D 1/0234

See application file for complete search history.

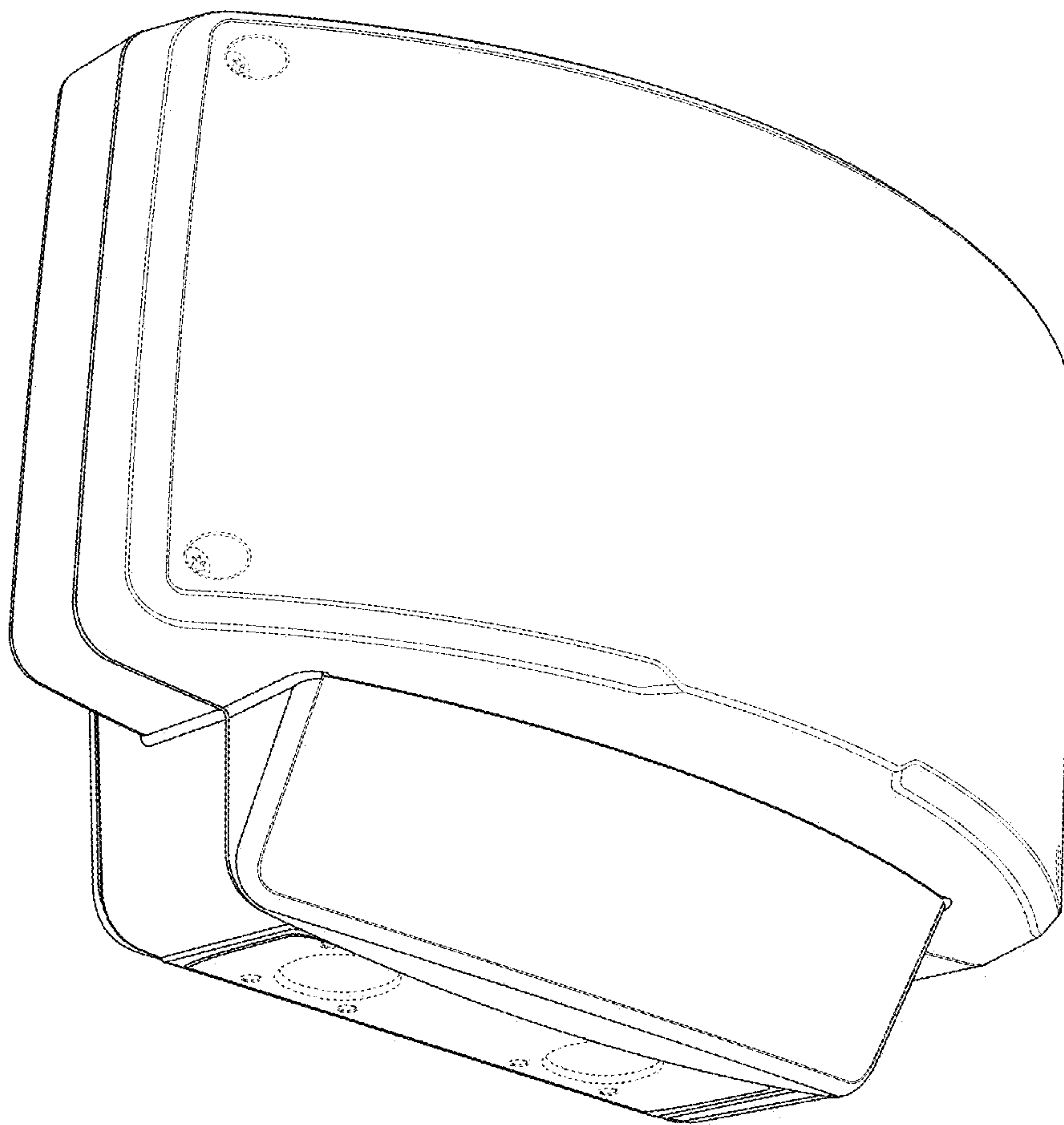
(56) **References Cited**

U.S. PATENT DOCUMENTS

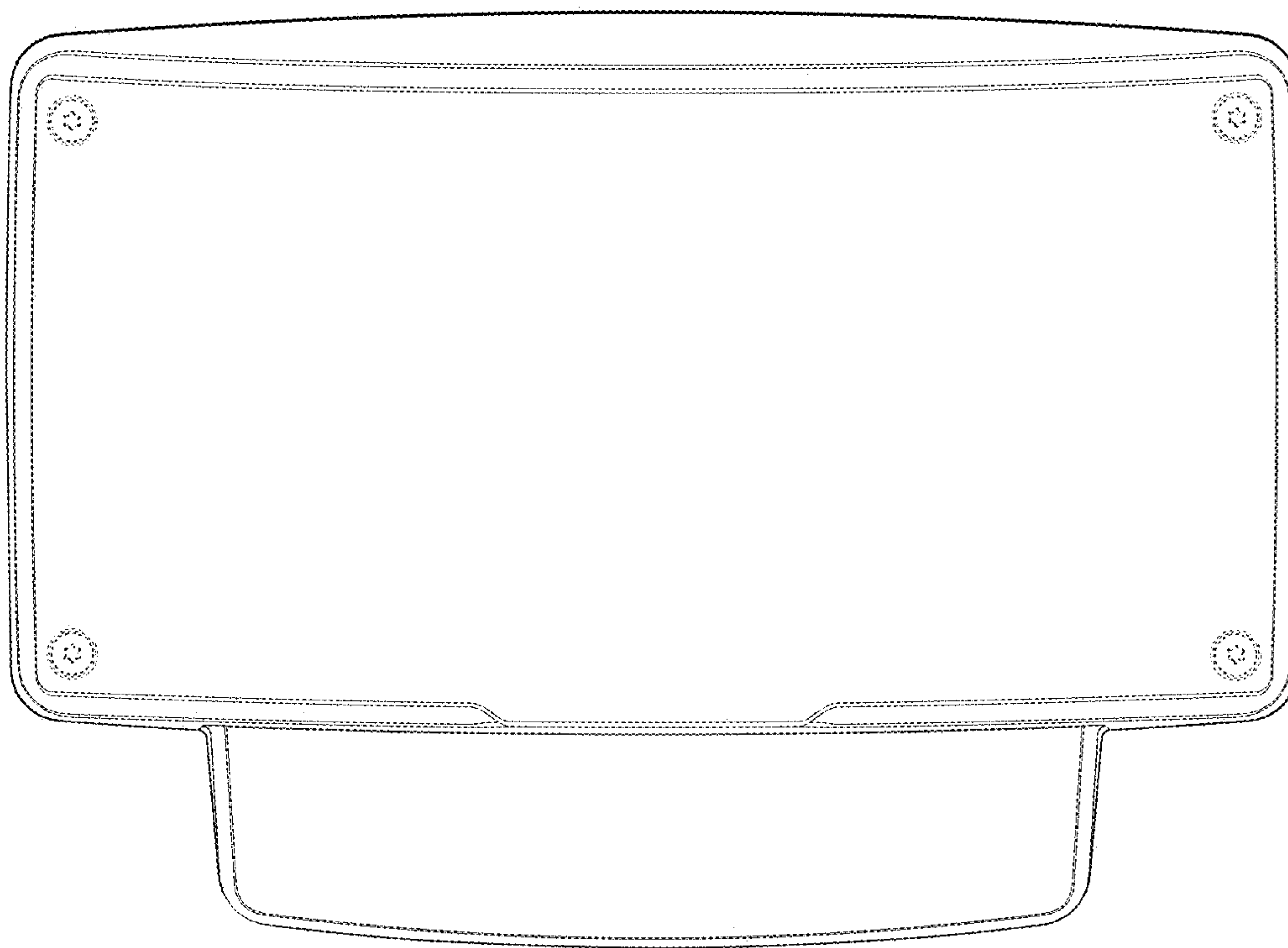
D438,199 S \* 2/2001 Arpe ..... D14/240  
 D438,533 S \* 3/2001 Arpe ..... D14/240  
 D473,221 S \* 4/2003 Gargani ..... D14/240

D520,990 S \* 5/2006 Kowalewicz ..... D14/230  
 D531,625 S \* 11/2006 Hori ..... D14/230  
 D531,994 S \* 11/2006 Allen ..... D14/230  
 D533,545 S \* 12/2006 Inoue ..... D14/230  
 D535,646 S \* 1/2007 Allen ..... D14/230  
 D540,314 S \* 4/2007 Allen ..... D14/230  
 D544,515 S \* 6/2007 Walter ..... D16/203  
 D603,887 S 11/2009 Alm et al.  
 D609,727 S \* 2/2010 Adolfsson ..... D16/200  
 D633,120 S 2/2011 Ham  
 D673,534 S \* 1/2013 Bailey ..... D14/230  
 D691,646 S 10/2013 Bergstrom et al.  
 8,908,032 B2 12/2014 Bergstrom et al.  
 D740,874 S 10/2015 Ahman et al.  
 D754,861 S 4/2016 O'Driscoll et al.  
 D755,156 S \* 5/2016 Pupecki ..... D14/204  
 D756,437 S 5/2016 Bennermark et al.  
 D786,330 S 5/2017 Tasselli et al.  
 D789,361 S 6/2017 Ali et al.  
 D807,401 S \* 1/2018 Xu ..... D14/496  
 D811,462 S 2/2018 Axelsson et al.  
 D815,178 S 4/2018 Larsson et al.  
 D816,755 S 5/2018 Barnekow et al.  
 D817,378 S 5/2018 Persson et al.  
 D823,919 S 7/2018 Persson et al.  
 D827,621 S \* 9/2018 Little ..... D14/230  
 D848,514 S 5/2019 Ahman et al.  
 D849,120 S 5/2019 Ahman et al.

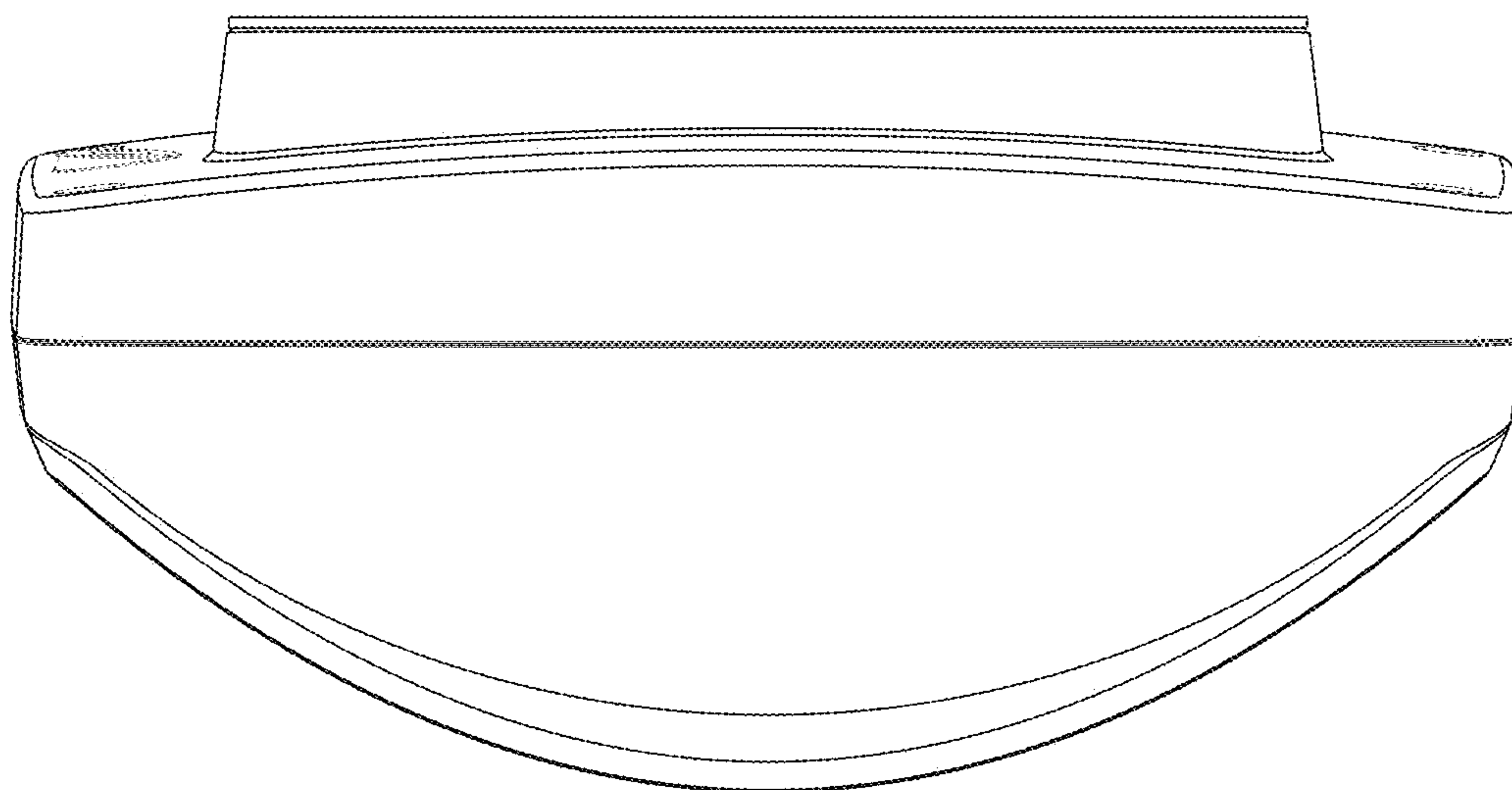
\* cited by examiner



*Fig. 1*

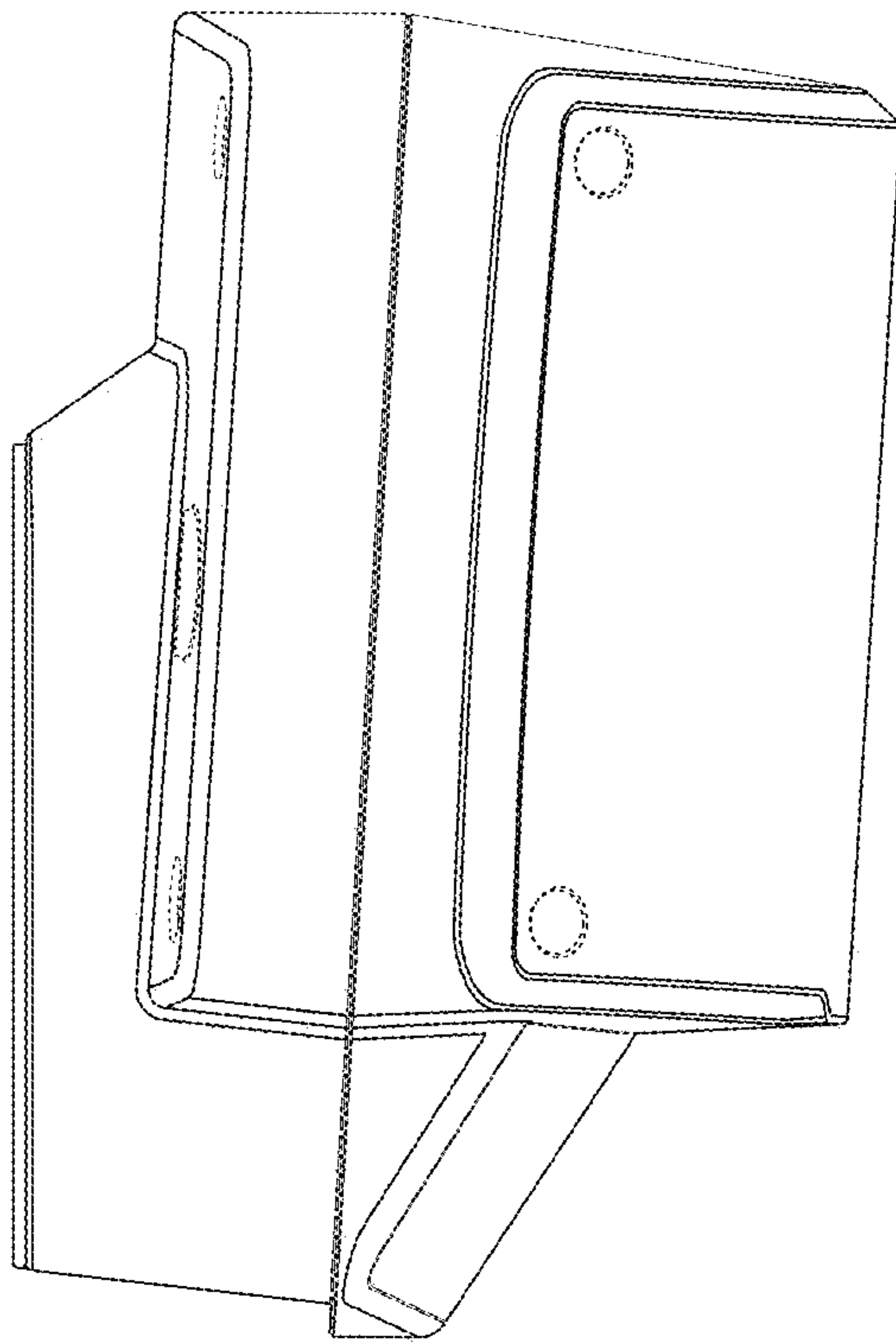


*Fig. 2*

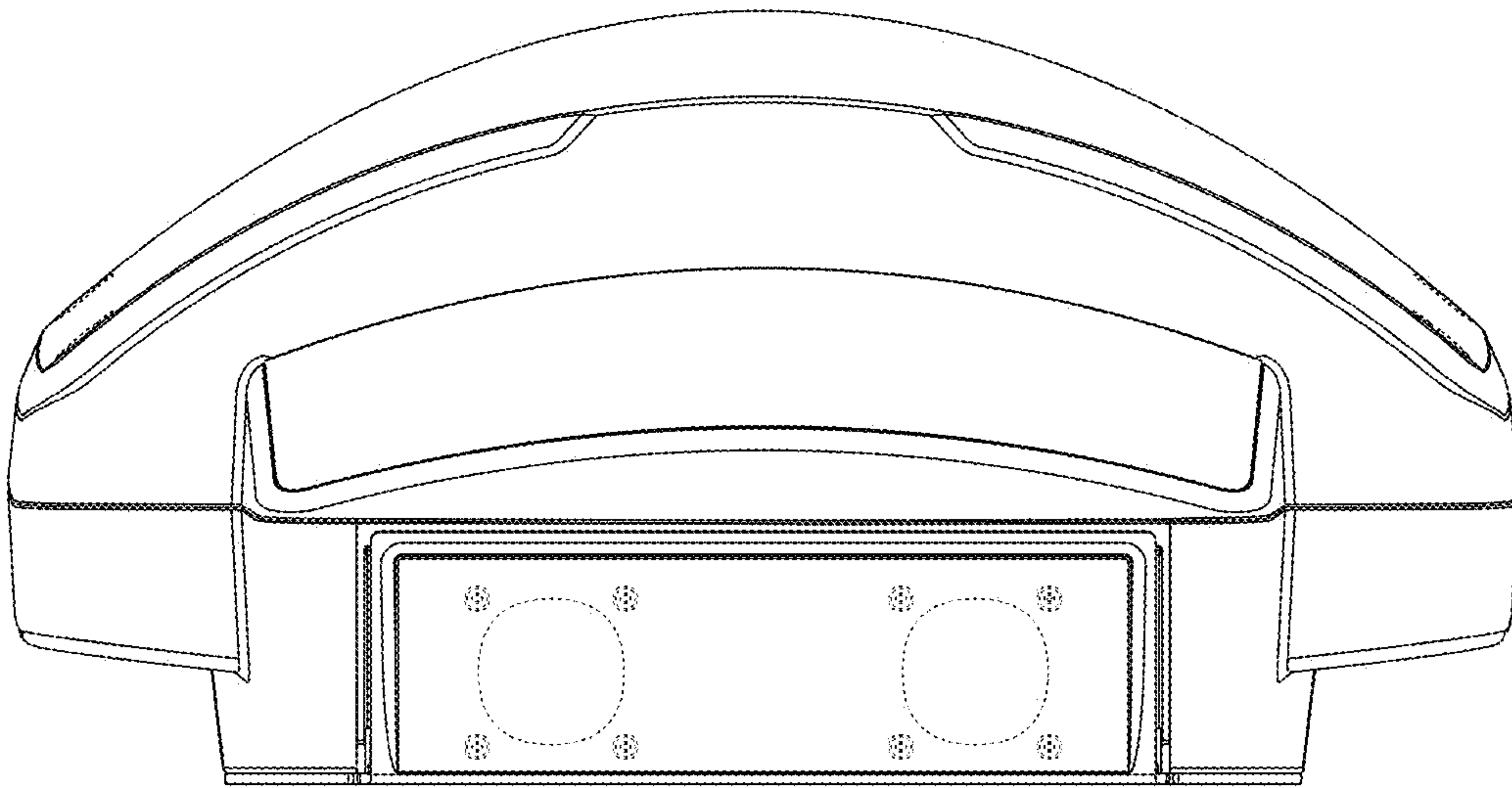


*Fig. 3*

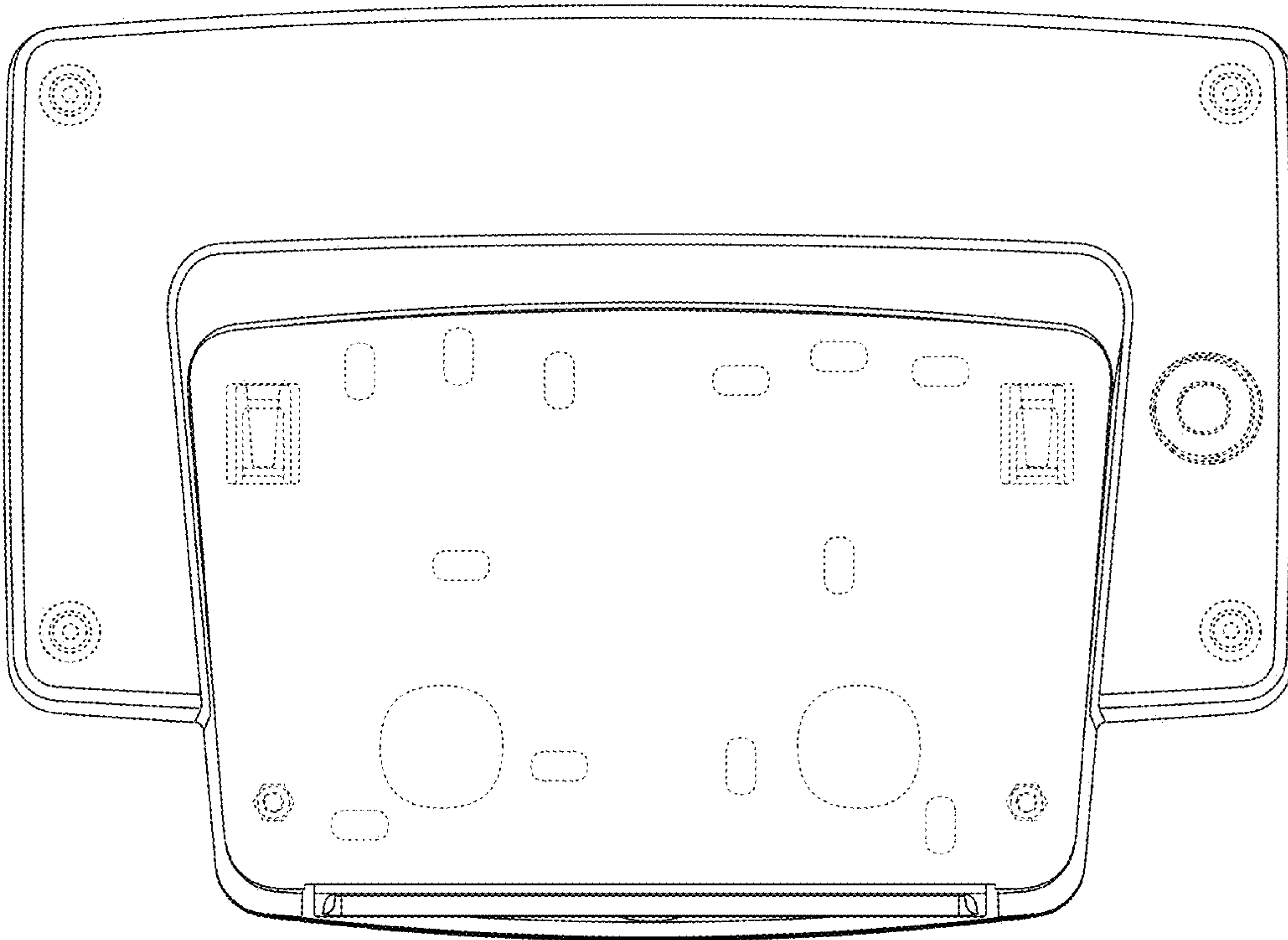




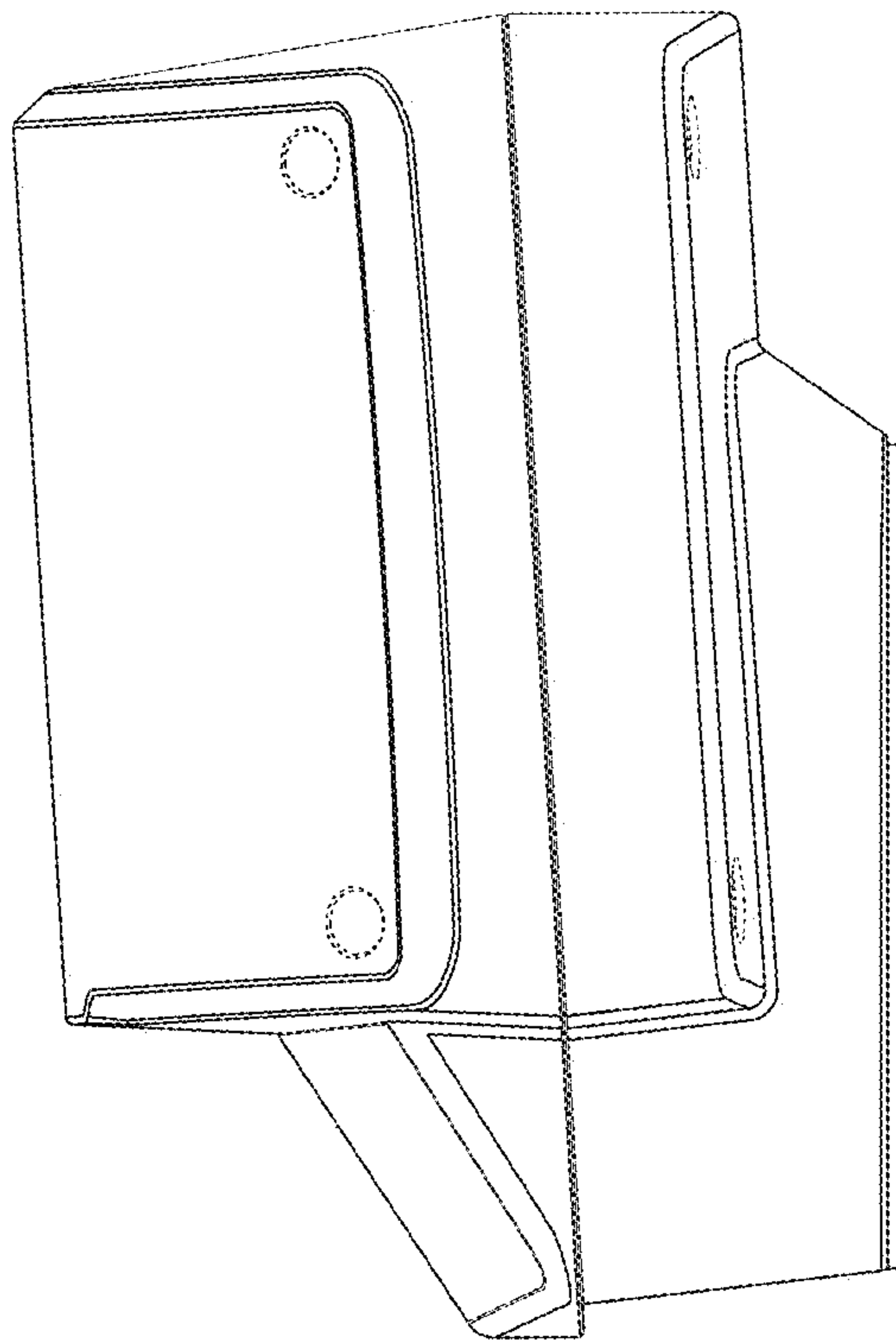
*Fig. 4*



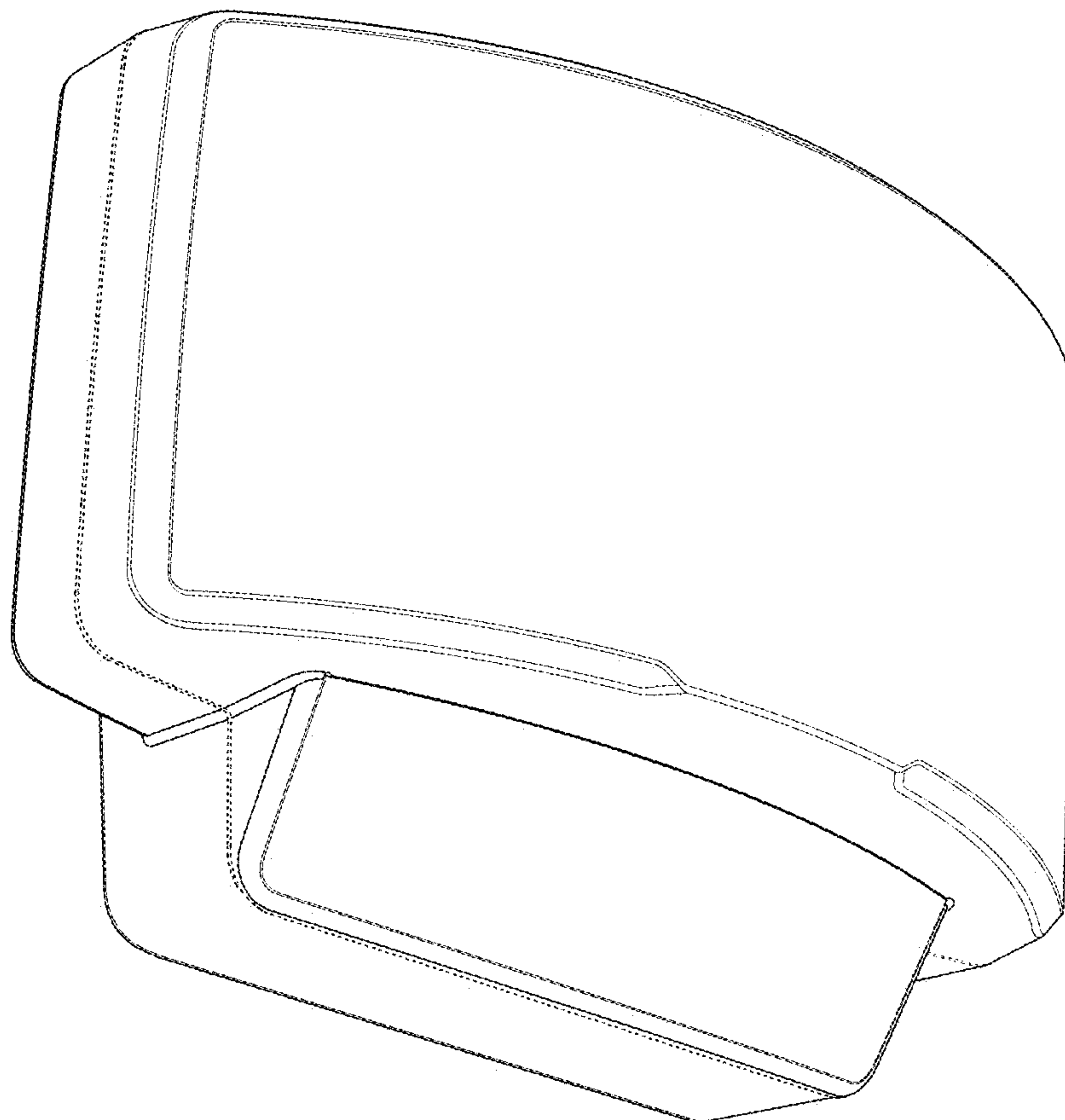
*Fig. 5*



*Fig. 6*

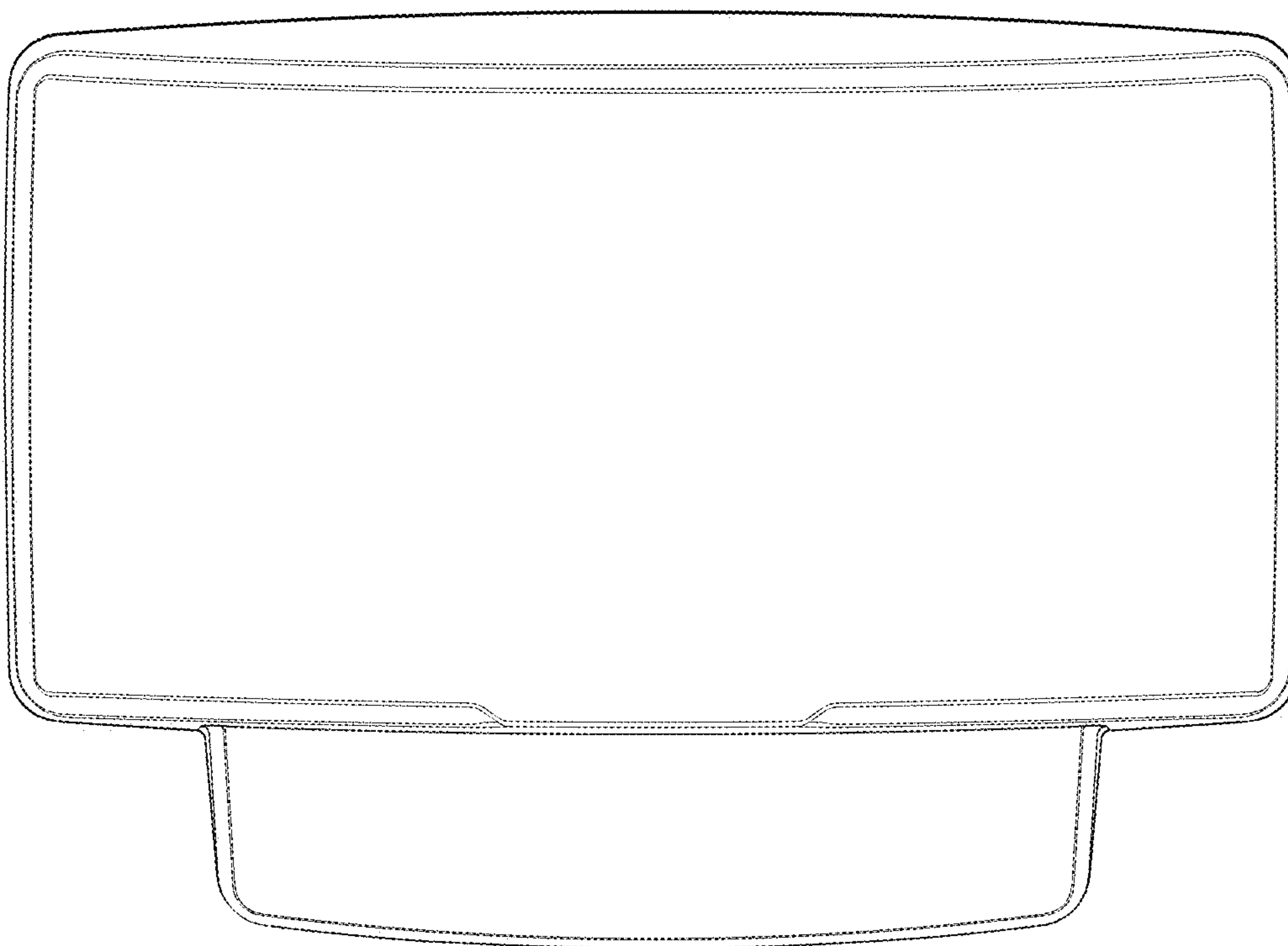


*Fig. 7*

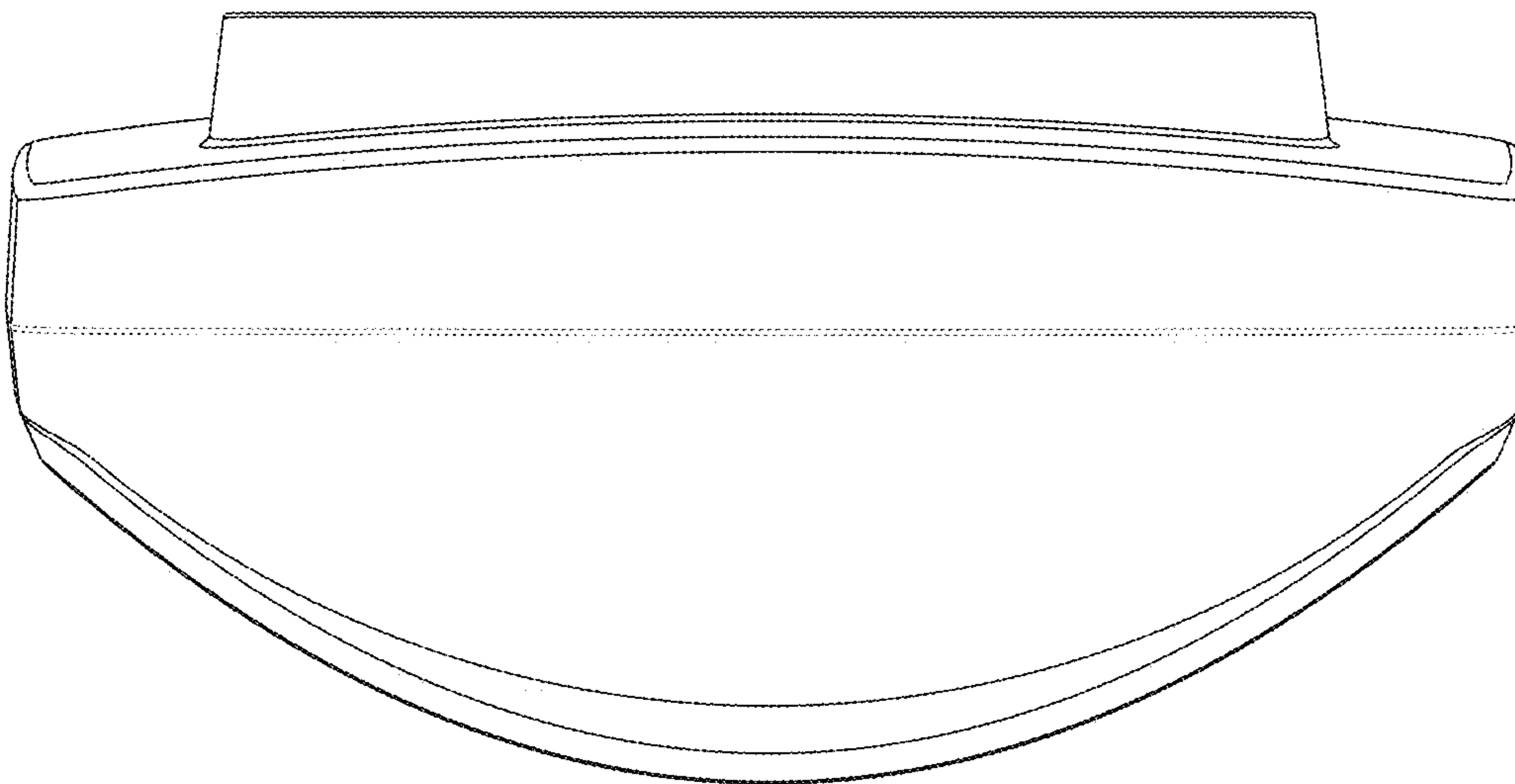


*Fig. 8*

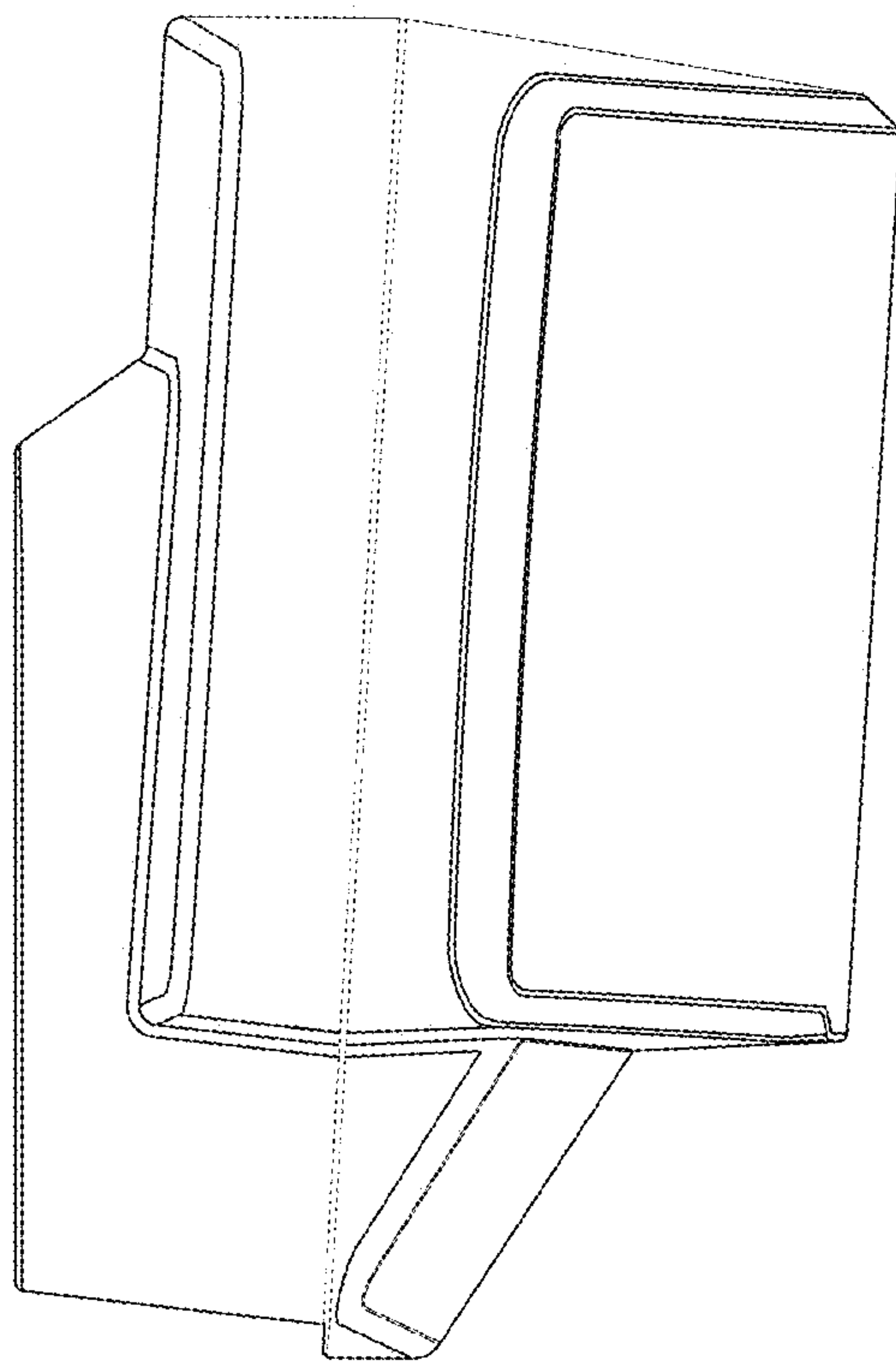




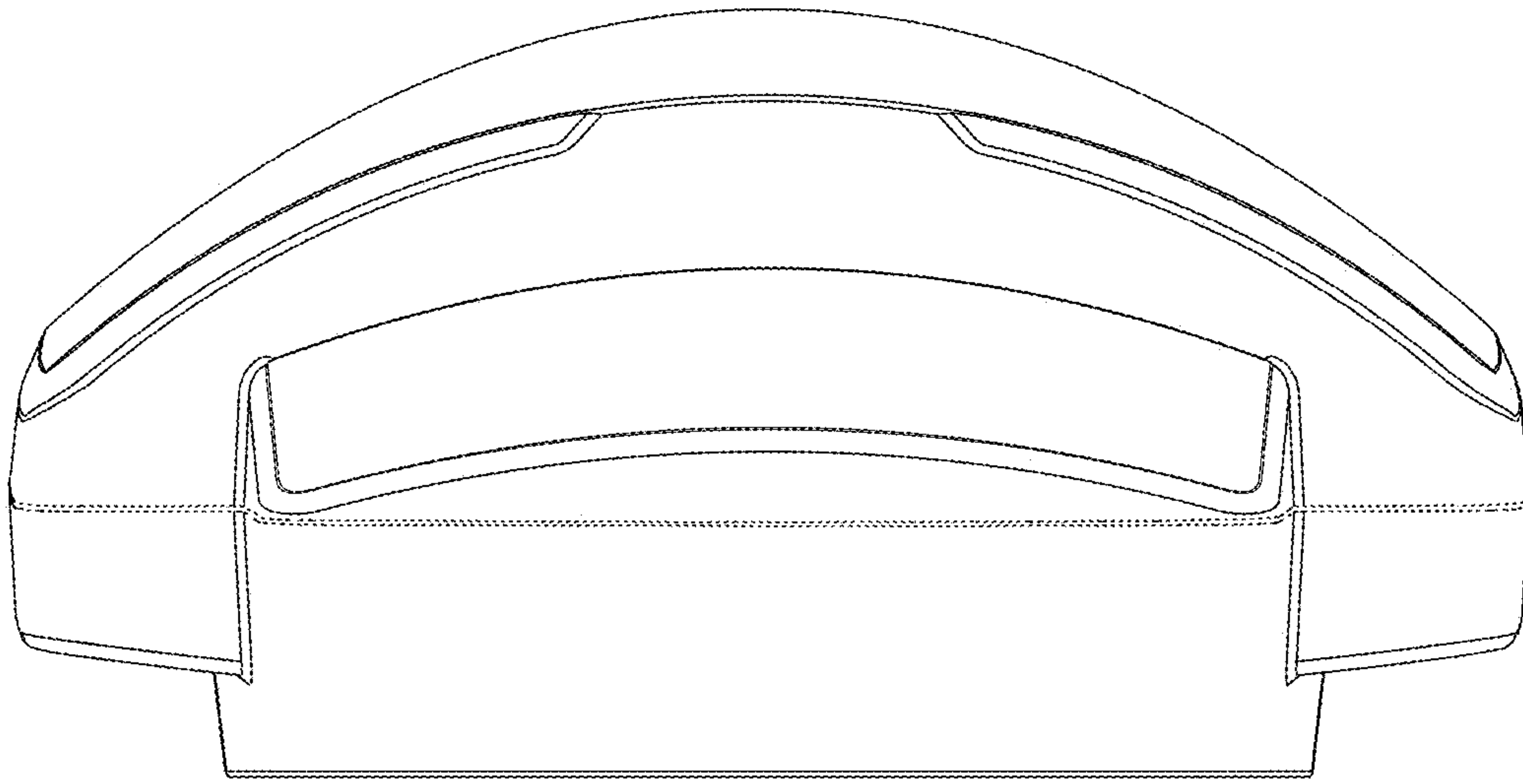
*Fig. 9*



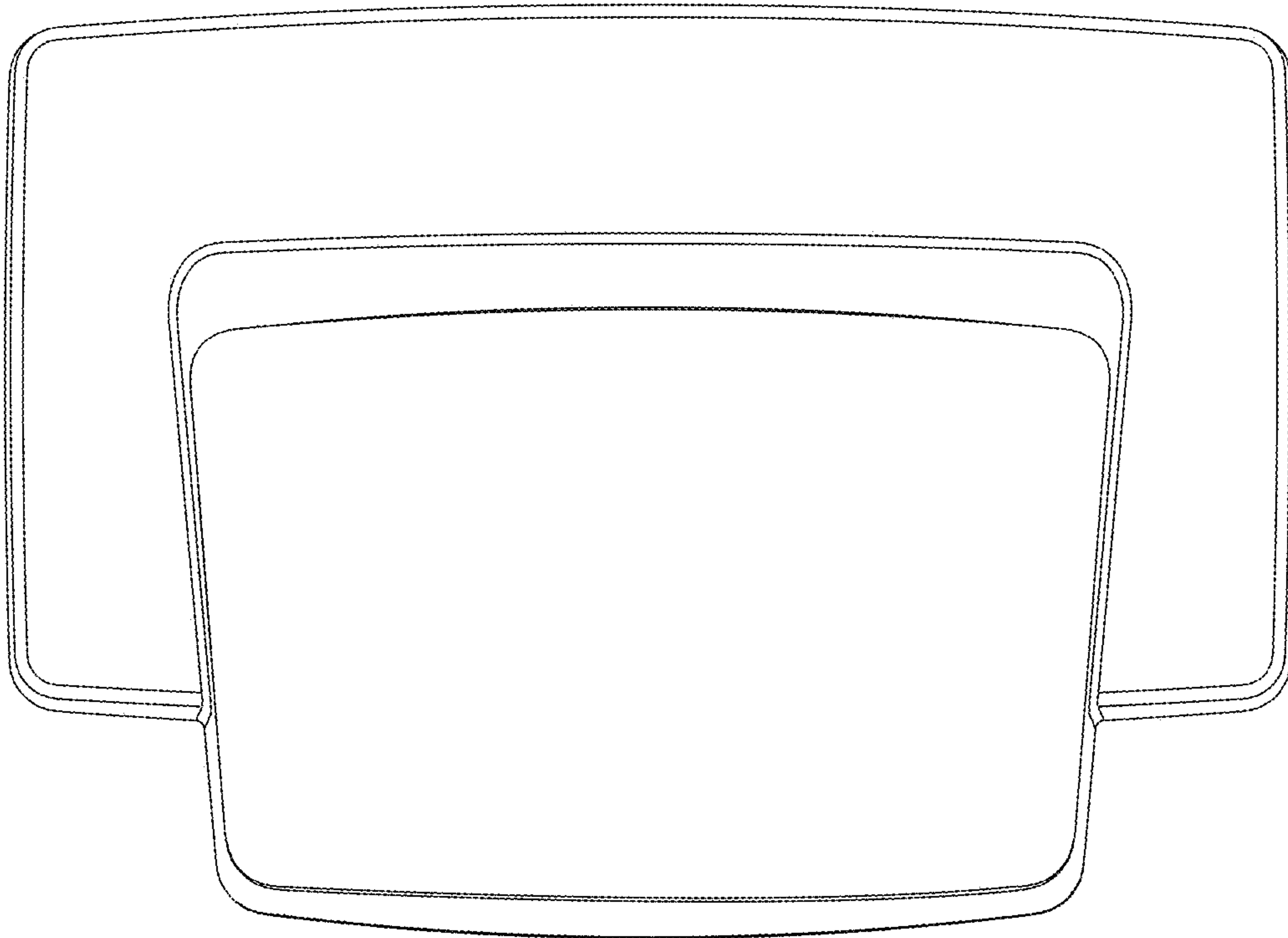
*Fig. 10*



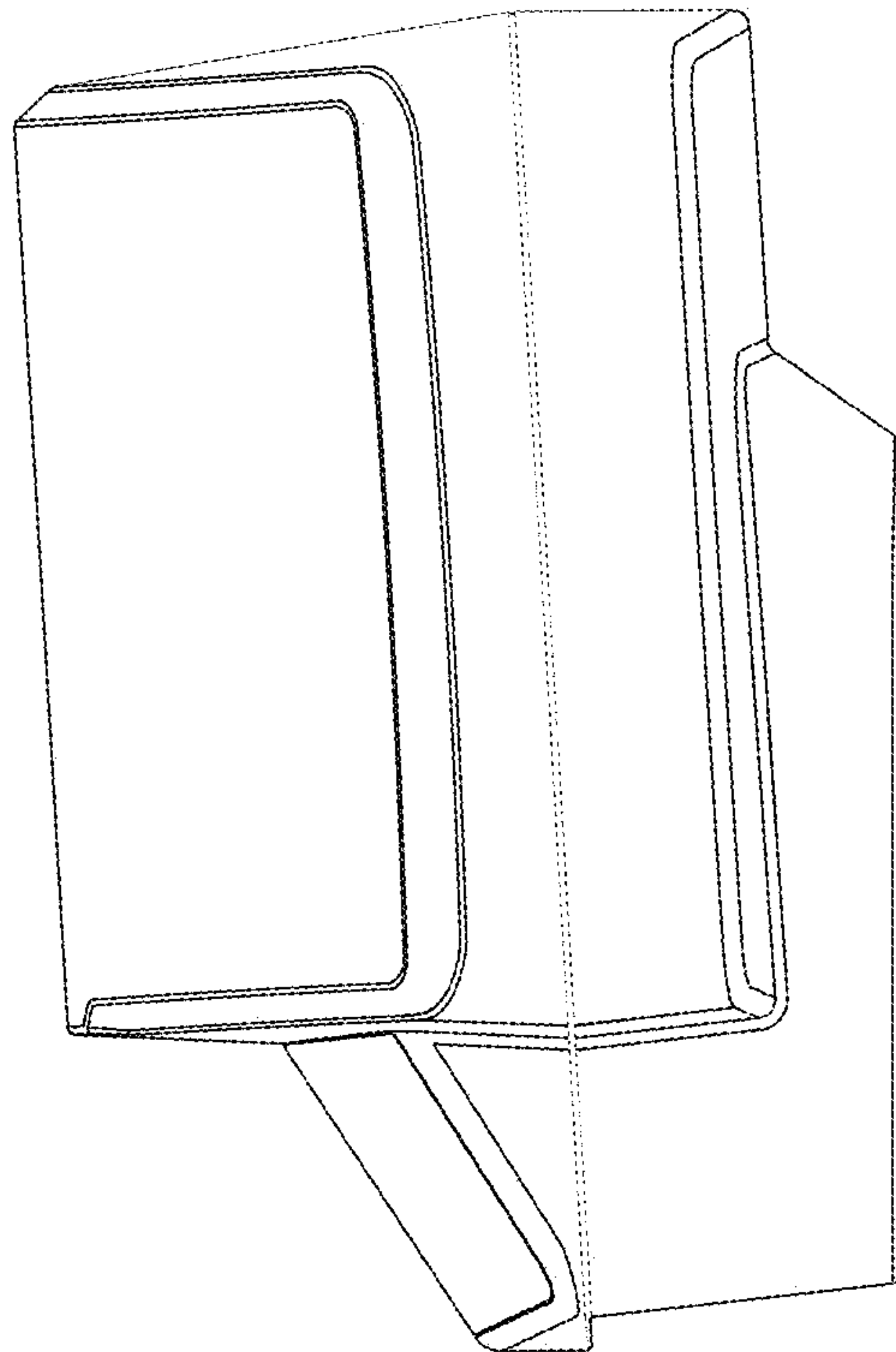
*Fig. 11*



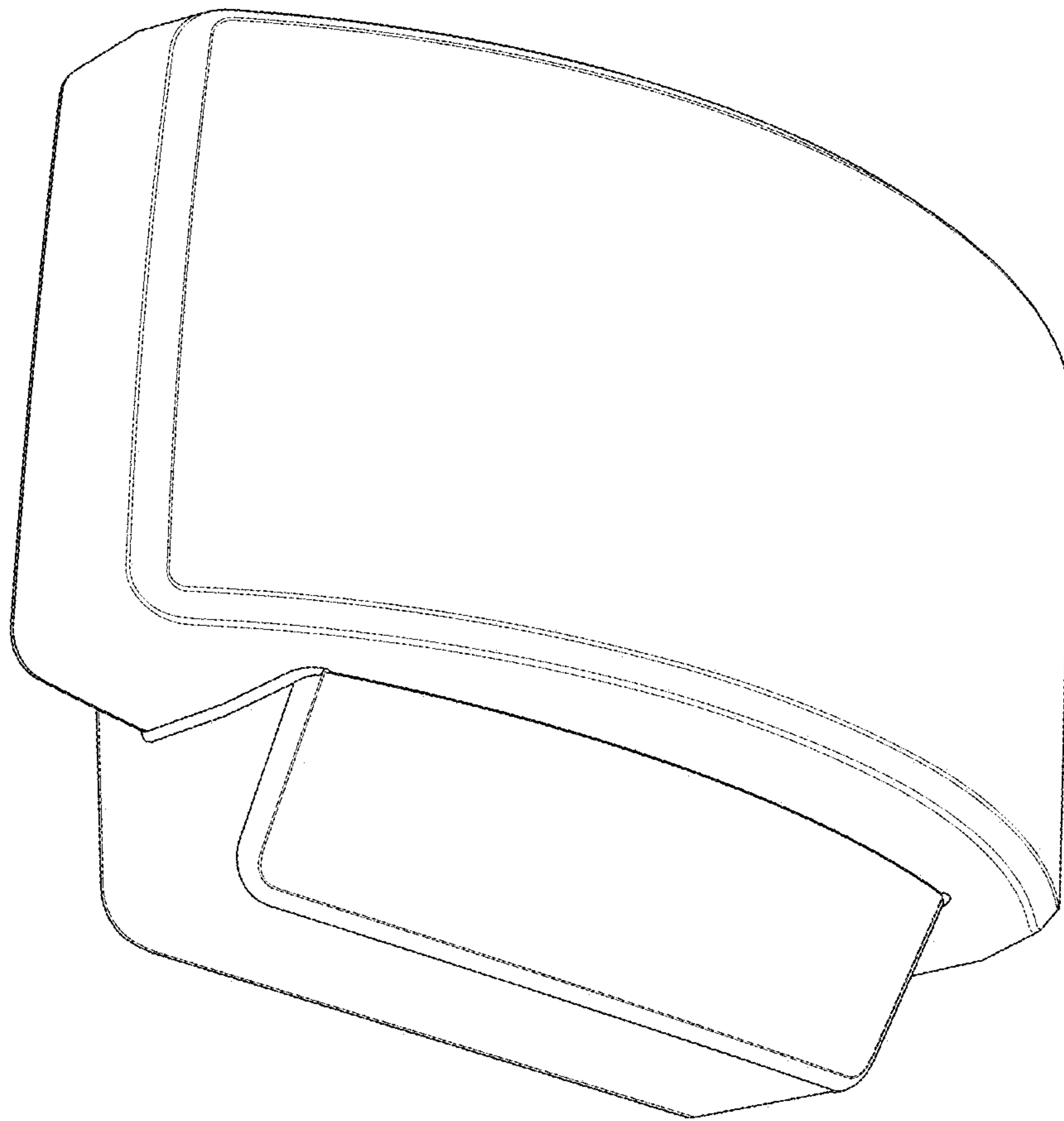
*Fig. 12*



*Fig. 13*

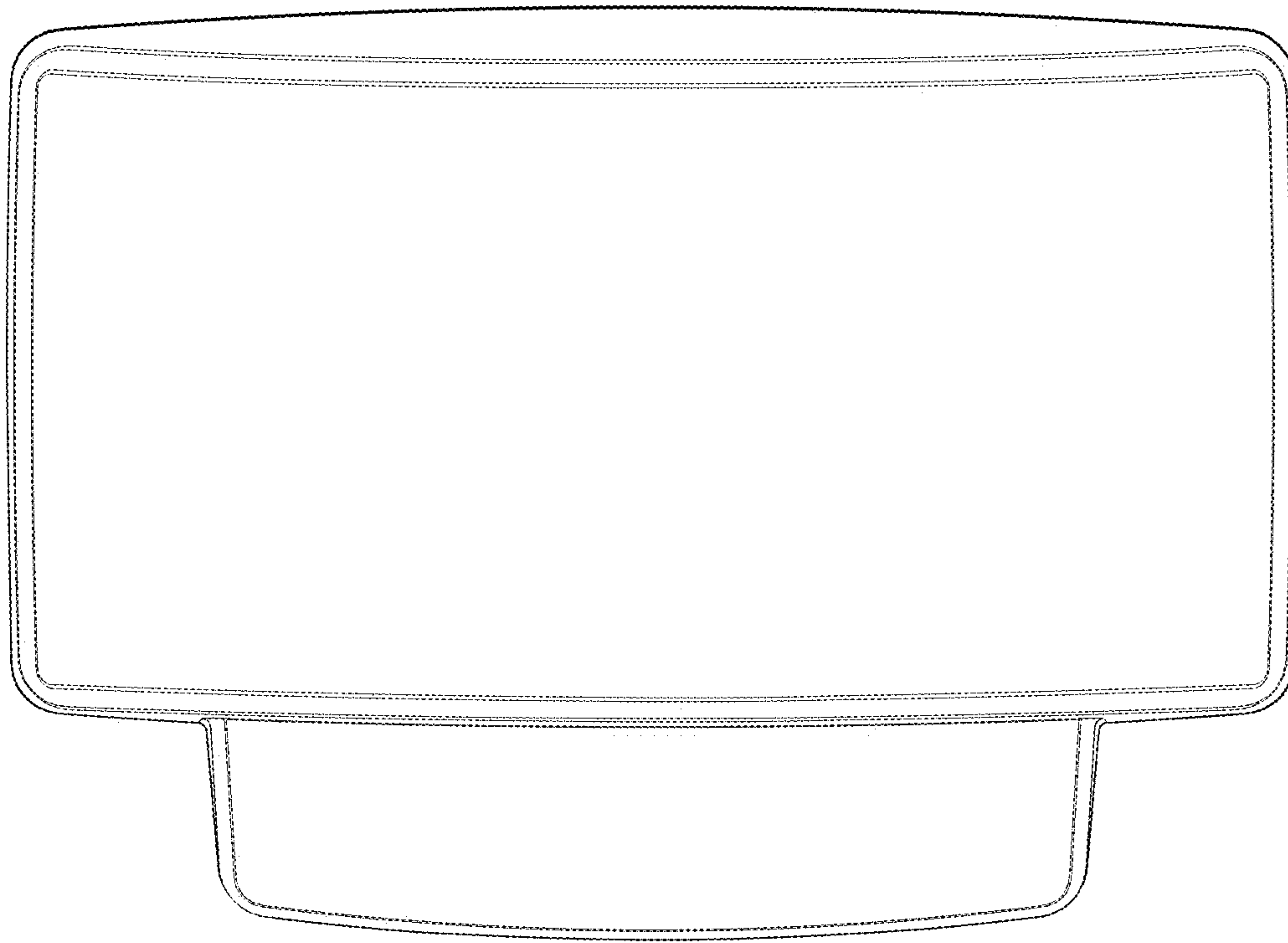


*Fig. 14*

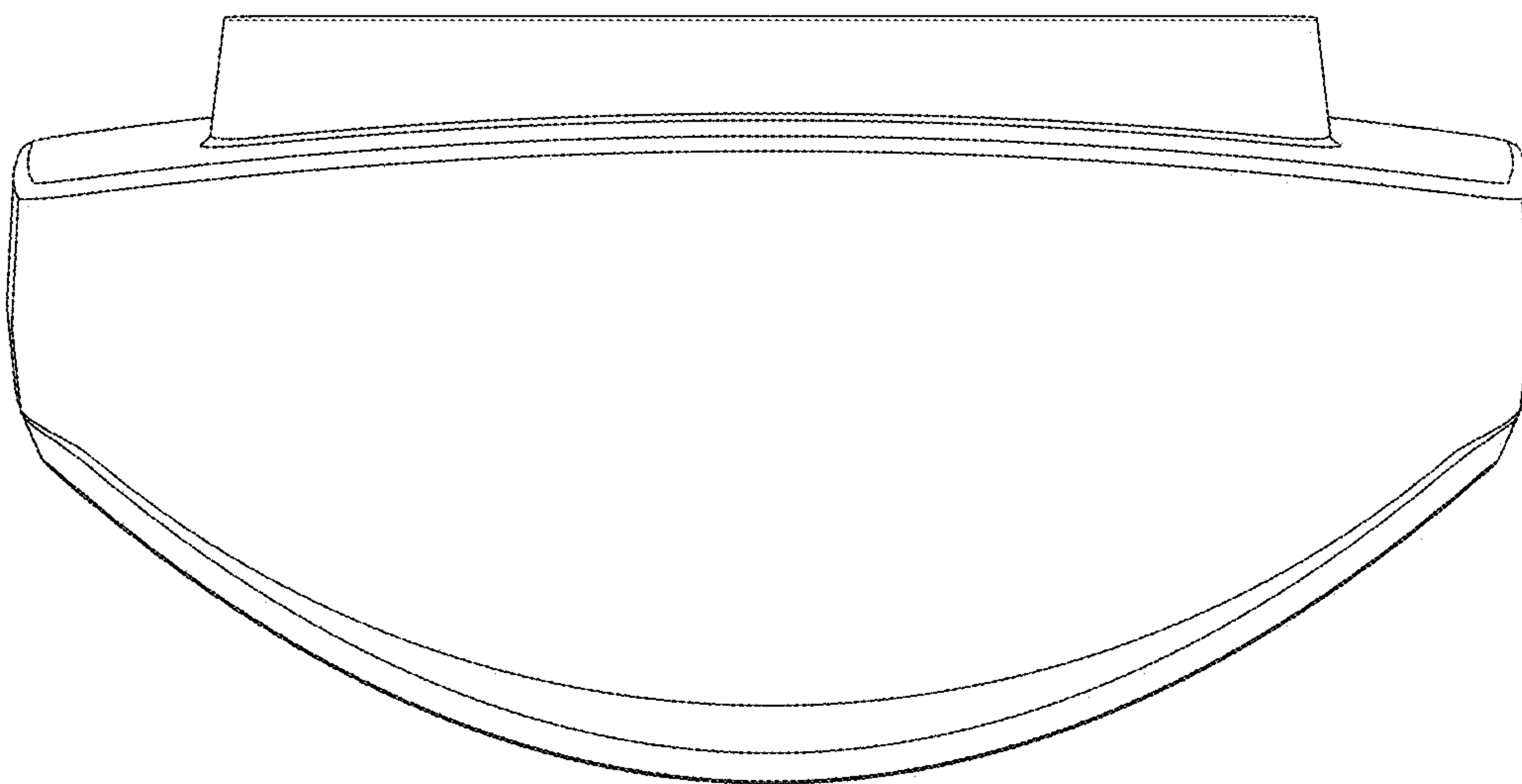


*Fig. 15*

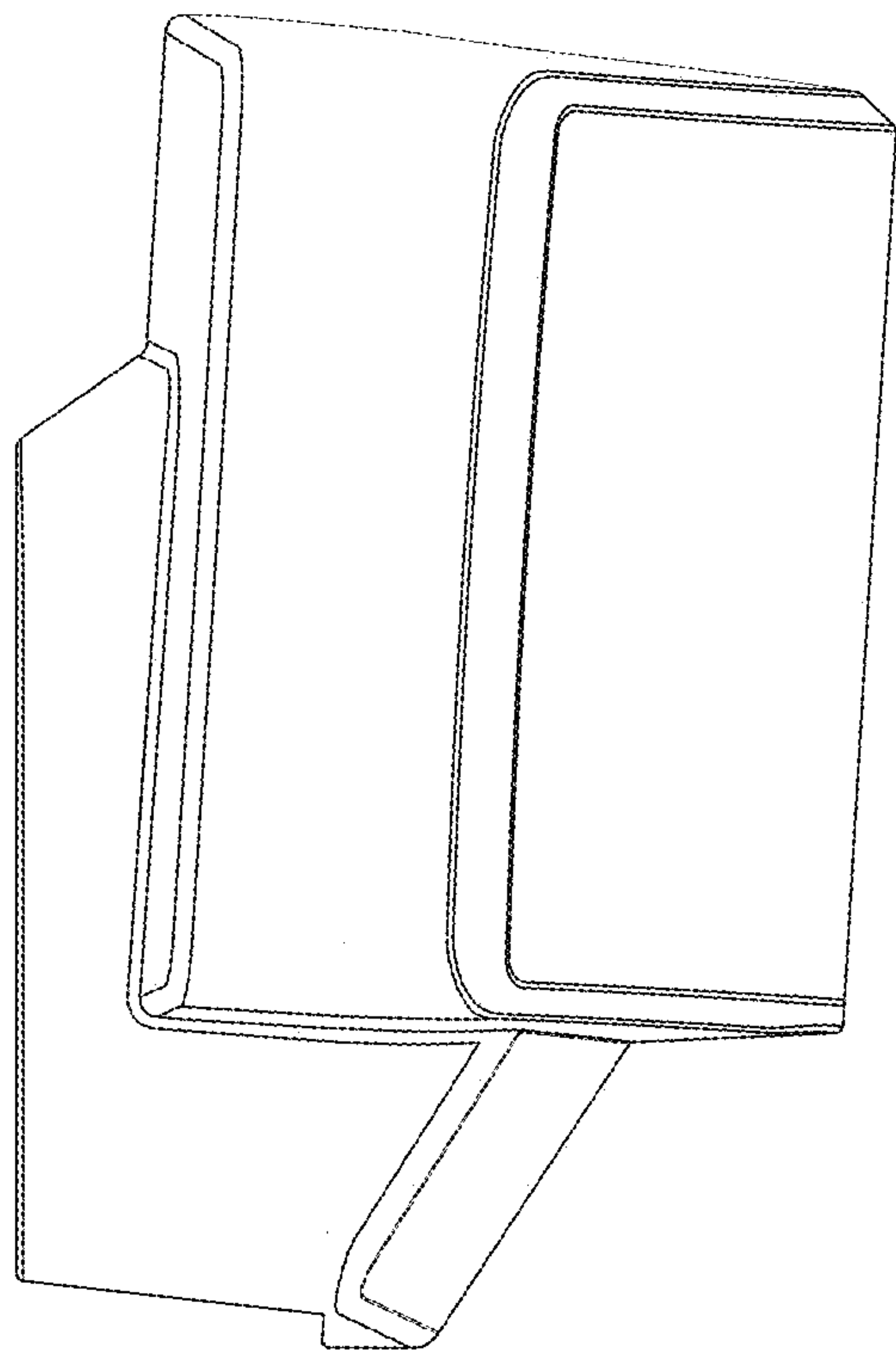




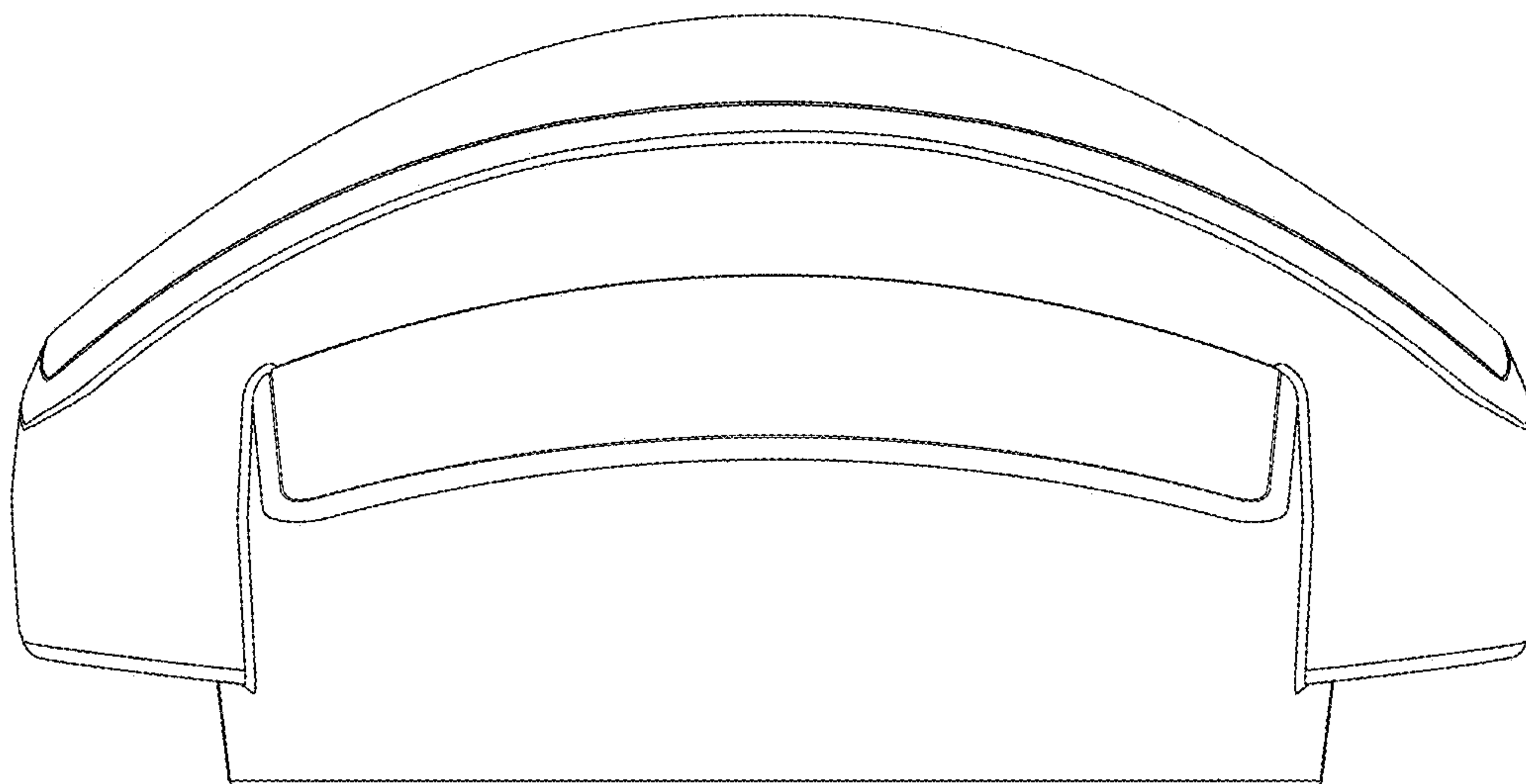
*Fig. 16*



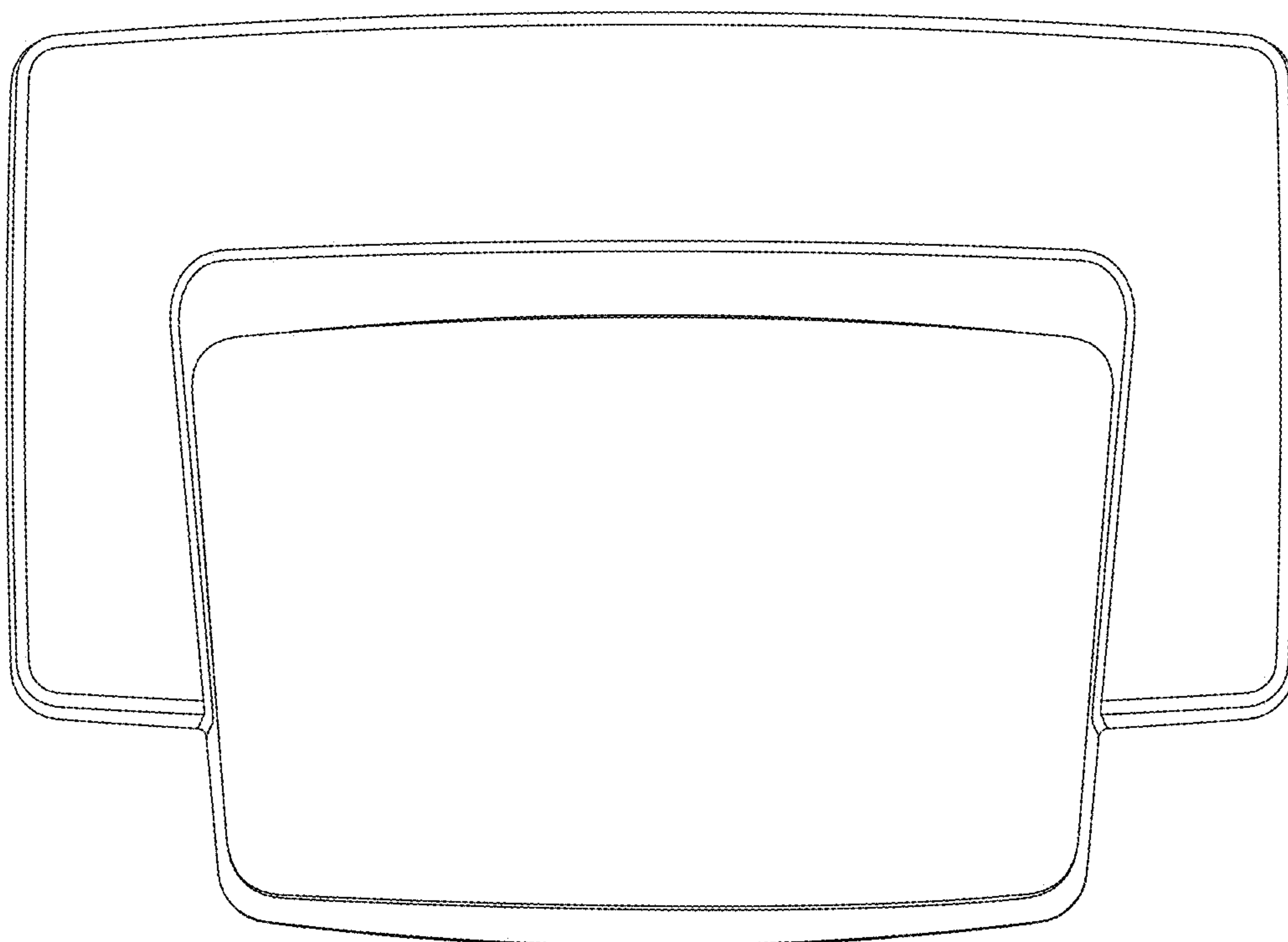
*Fig. 17*



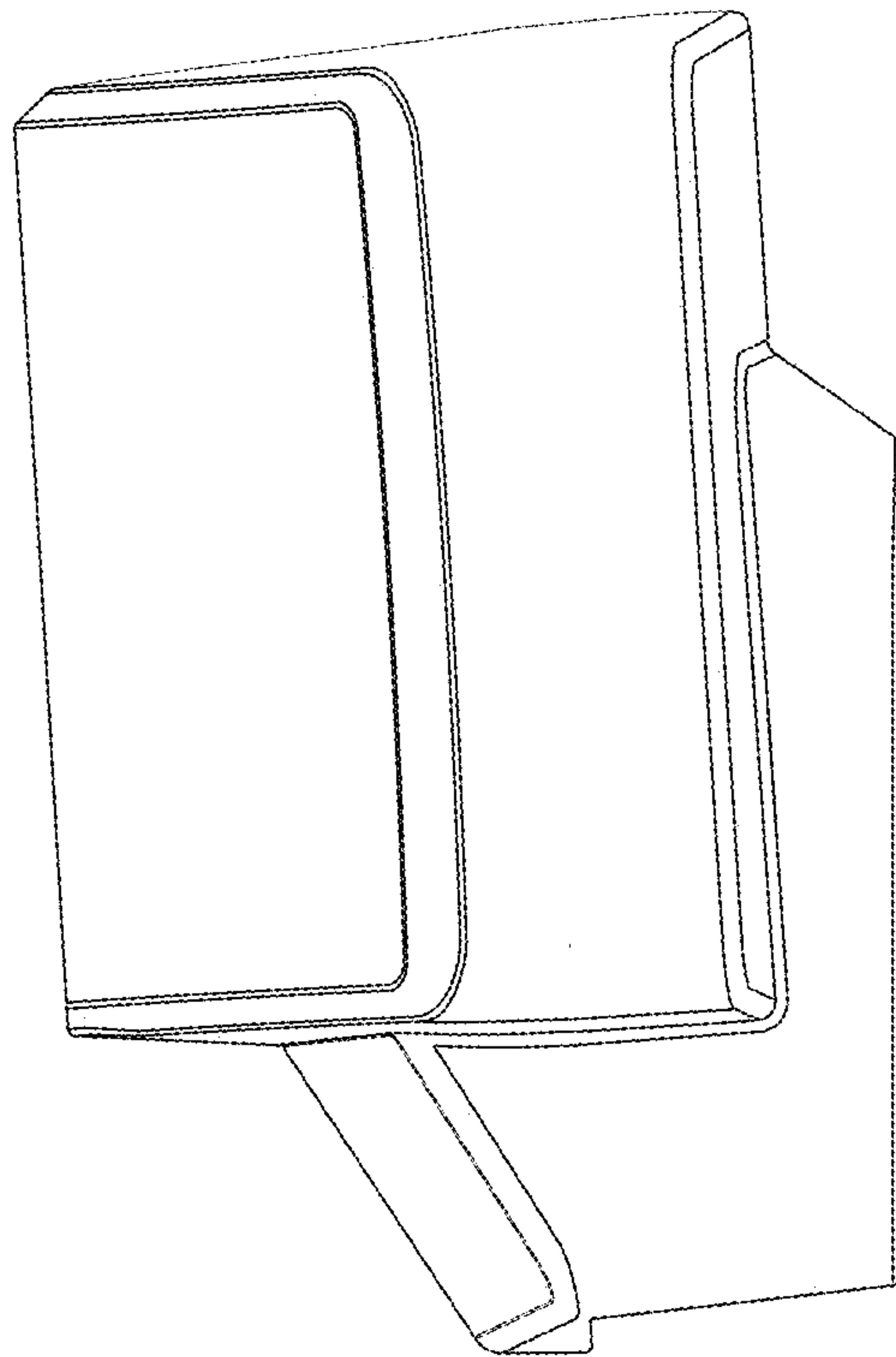
*Fig. 18*



*Fig. 19*



*Fig. 20*



*Fig. 21*