



US00D875080S

(12) **United States Design Patent**
Horiuchi

(10) **Patent No.:** **US D875,080 S**

(45) **Date of Patent:** **** Feb. 11, 2020**

(54) **SPEAKER FOR AUTOMOBILE**

(71) Applicant: **PIONEER CORPORATION**, Tokyo
(JP)

(72) Inventor: **Yuto Horiuchi**, Tokyo (JP)

(73) Assignee: **PIONEER CORPORATION**, Tokyo
(JP)

(**) Term: **15 Years**

(21) Appl. No.: **29/630,733**

(22) Filed: **Dec. 22, 2017**

(30) **Foreign Application Priority Data**

Jul. 11, 2017 (JP) 2017-014893

(51) **LOC (12) Cl.** **14-01**

(52) **U.S. Cl.**
USPC **D14/216; D14/221**

(58) **Field of Classification Search**
USPC D14/167, 168, 170-172, 188, 194-196,
D14/204, 209.1, 210-216, 219, 221, 222,
D14/224, 239, 496

CPC B60R 11/0217; G06F 1/1688; G10K 9/22;
G10K 11/004; H03F 1/327; H04M 1/03;
H04M 1/035; H04N 5/642; H04N
21/4852; H04R 1/02; H04R 1/06; H04R
1/021; H04R 1/025; H04R 1/026; H04R
1/028; H04R 1/105; H04R 1/323; H04R
1/403; H04R 1/2803; H04R 1/2834;
H04R 5/02; H04R 7/20; H04R 9/06;
H04R 9/025; H04R 2201/021; H04R
2400/00; H04R 2400/07; H04R 2499/11;
H04R 2499/13; H04R 2499/15; H04S
3/00; H04S 7/30

See application file for complete search history.

(56) **References Cited**

U.S. PATENT DOCUMENTS

D356,089 S * 3/1995 Hedaya D14/215
D489,359 S * 5/2004 Hakoda D14/215

D551,210 S * 9/2007 Mizokawa D14/216
D560,658 S * 1/2008 Akaishi D14/221
D593,073 S * 5/2009 Kurihara D14/216
D608,344 S * 1/2010 Oishi D14/216

(Continued)

FOREIGN PATENT DOCUMENTS

JP 1269092 S 4/2006
JP 1329080 S 5/2008

(Continued)

OTHER PUBLICATIONS

Pioneer Catalog published in 2016, Audio AV 2017 Car Entertainment Dealer Reference Guide vol. 1, 7 pages.

Primary Examiner — Keli L Hill

(74) *Attorney, Agent, or Firm* — Drinker Biddle & Reath LLP

(57) **CLAIM**

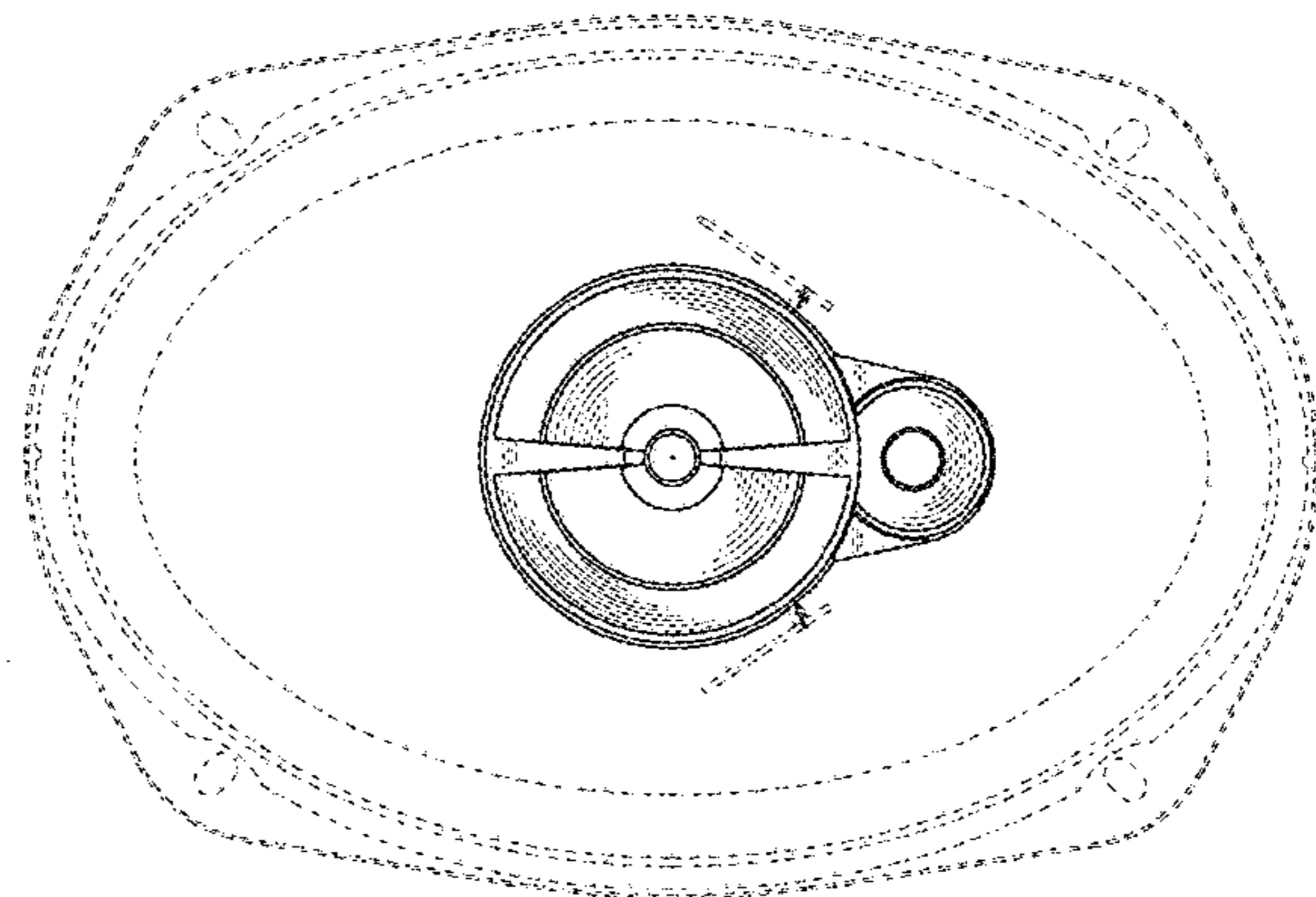
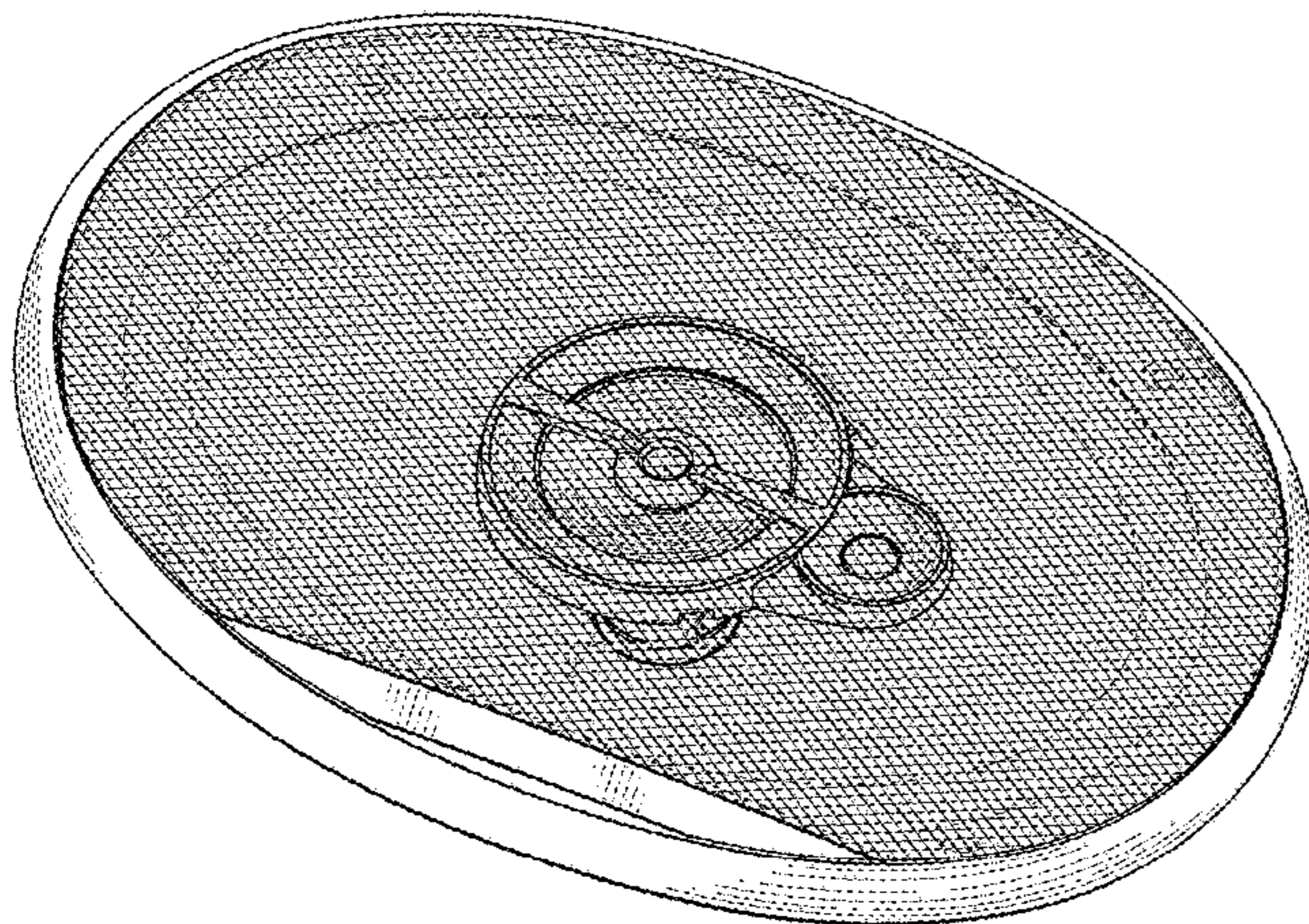
The ornamental design for the speaker for automobile, as shown and described.

DESCRIPTION

FIG. 1 is a perspective view of a speaker for automobile showing my new design;
FIG. 2 is a front view thereof;
FIG. 3 is a rear view thereof;
FIG. 4 is a right side view thereof;
FIG. 5 is a left side view thereof;
FIG. 6 is a top view thereof;
FIG. 7 is a bottom view thereof; and,
FIG. 8 is a front view showing a state that the grille is removed.

The broken line showing of the speaker for automobile is included for the purpose of illustrating portions of the speaker for automobile and forms no part of the claimed design.

1 Claim, 8 Drawing Sheets



(56)

References Cited

U.S. PATENT DOCUMENTS

D608,345 S *	1/2010	Oishi	D14/216
D608,764 S *	1/2010	Oishi	D14/216
D678,247 S *	3/2013	Matsumura	D14/204
D837,181 S *	1/2019	Kitamura	D14/204
D839,235 S *	1/2019	Kitamura	D14/204
D859,365 S *	9/2019	Kitamura	D14/216

FOREIGN PATENT DOCUMENTS

JP	1329110 S	5/2008
JP	1387054 S	5/2010
JP	1519045 S	3/2015
JP	1574444 S	4/2017

* cited by examiner

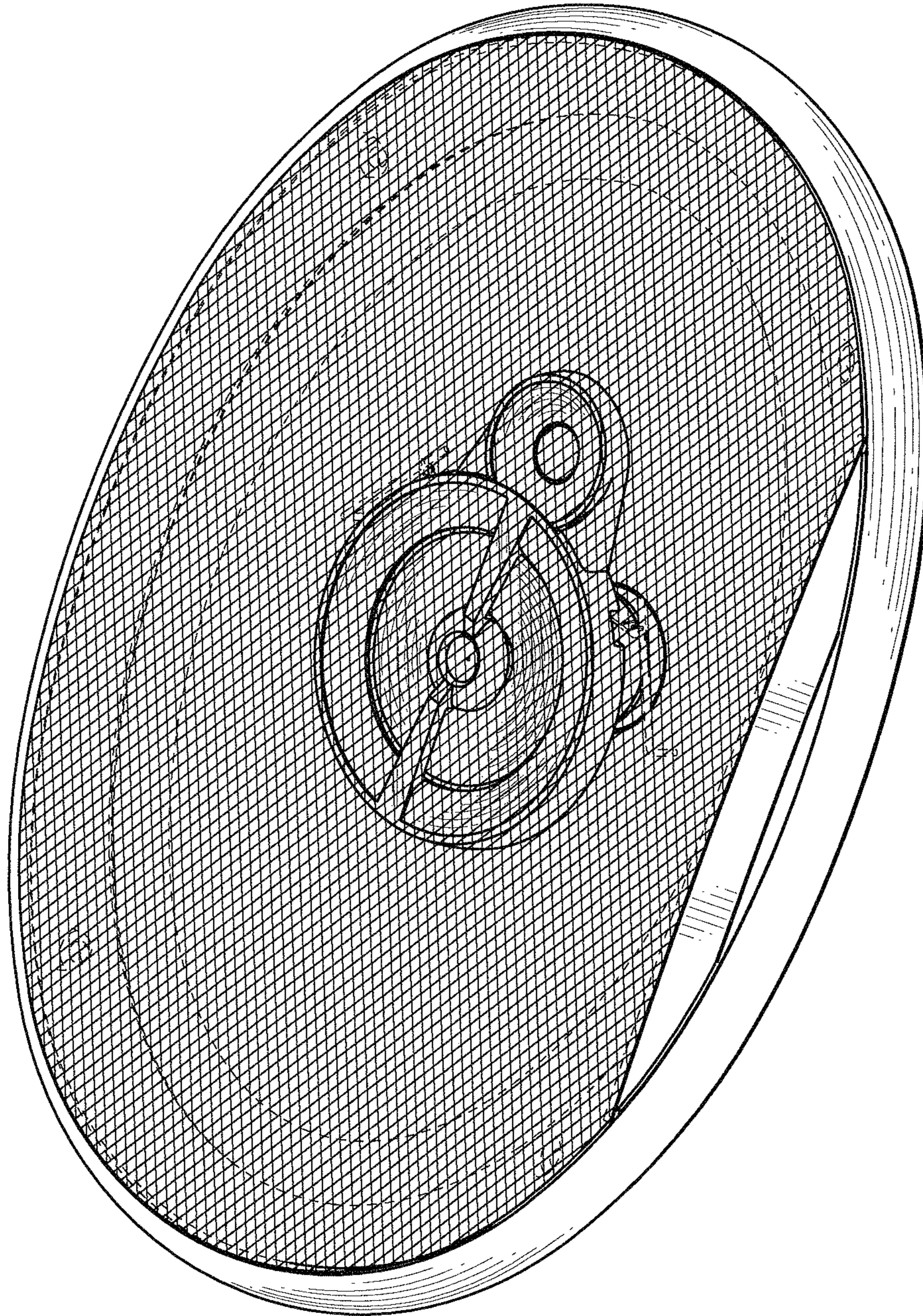


FIG. 1

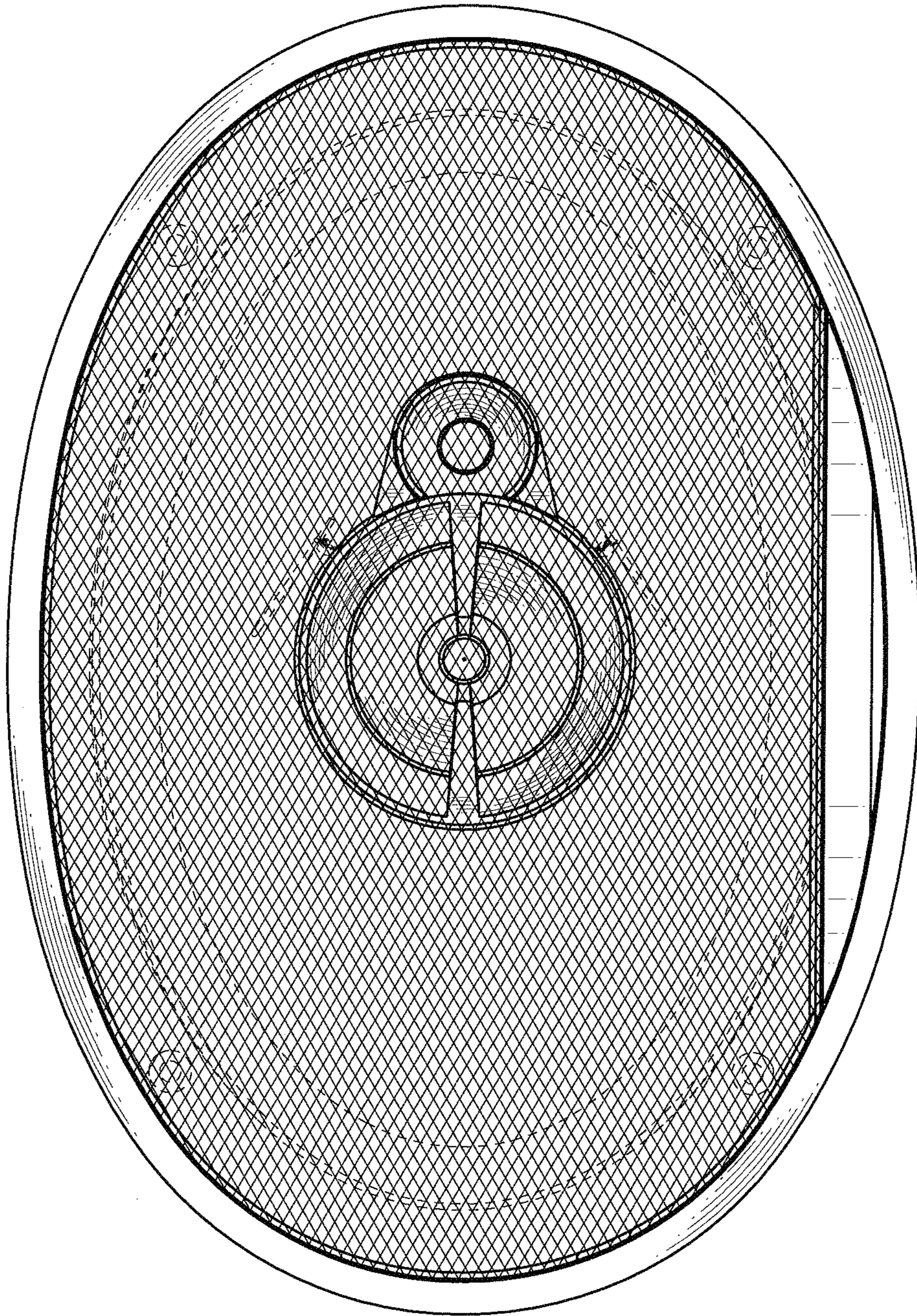


FIG. 2

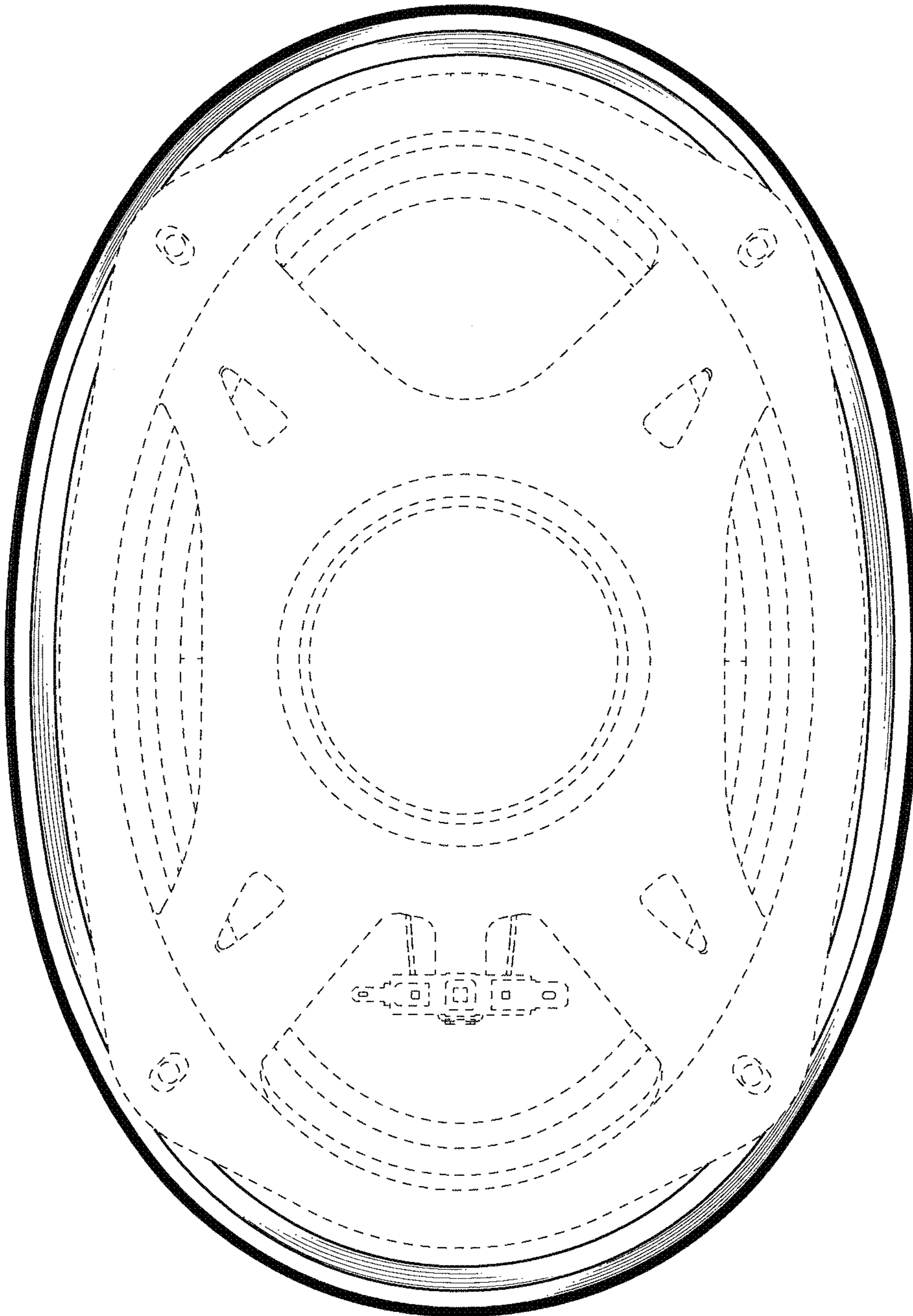


FIG. 3

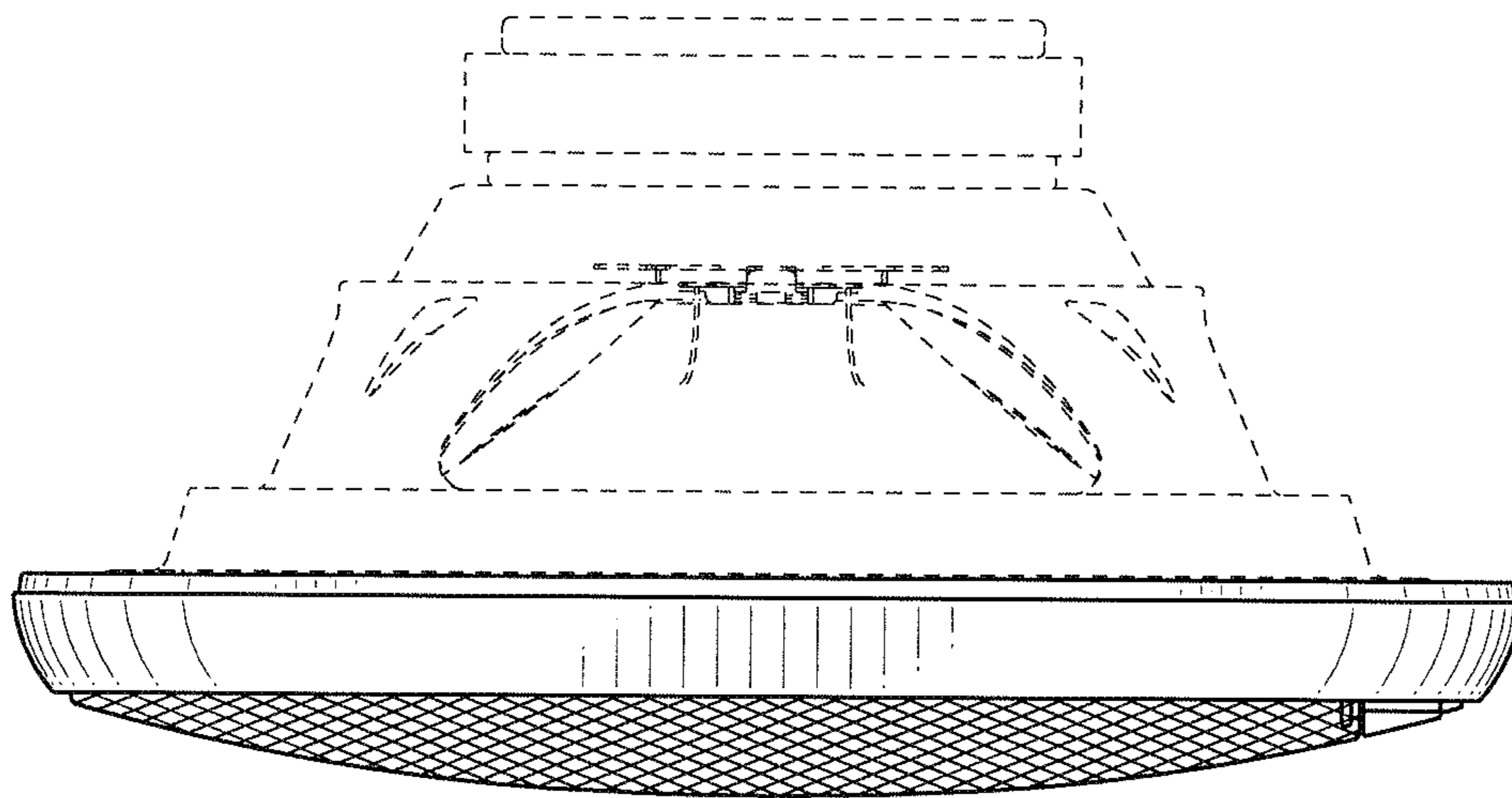


FIG. 4

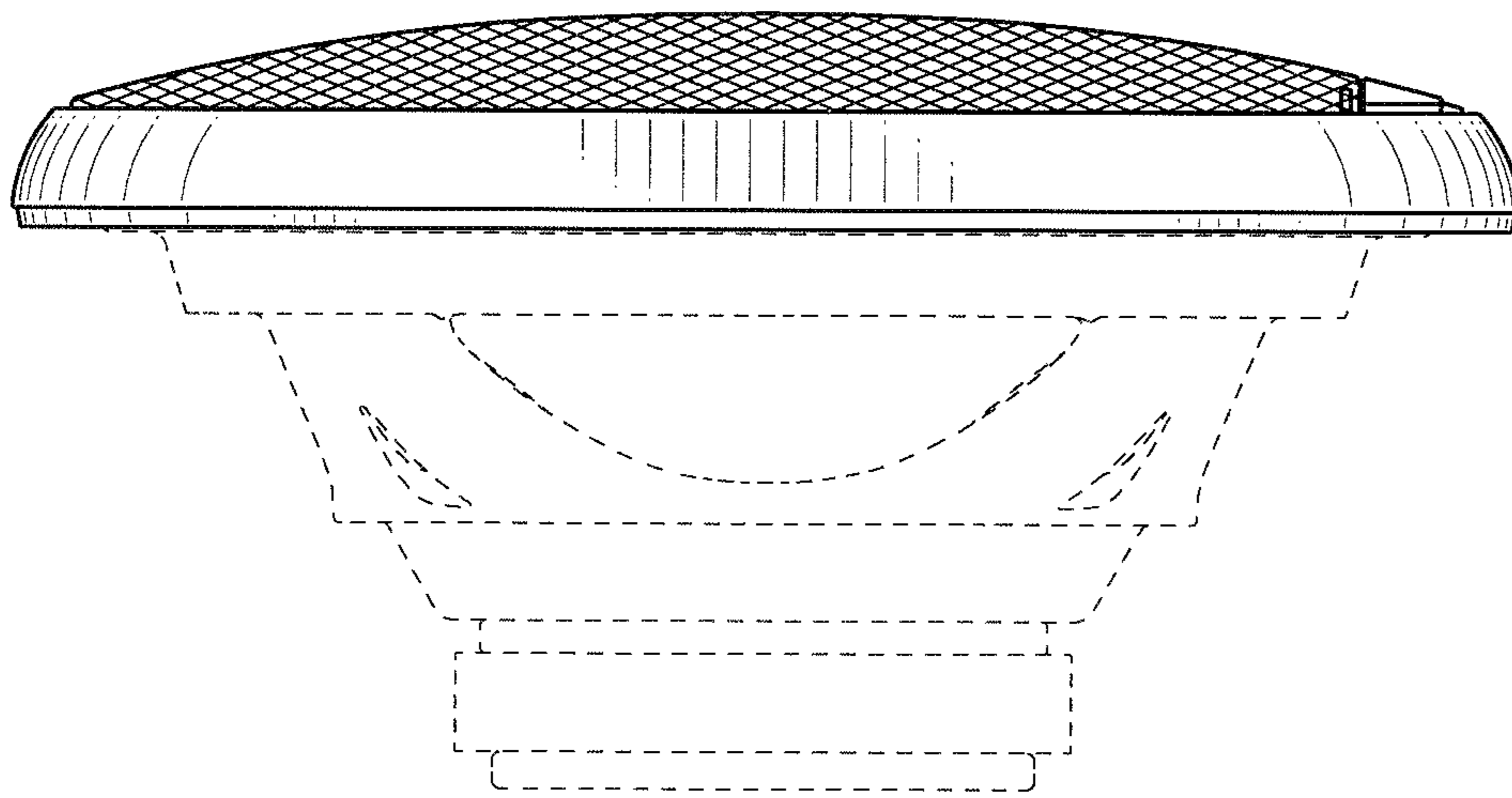


FIG. 5

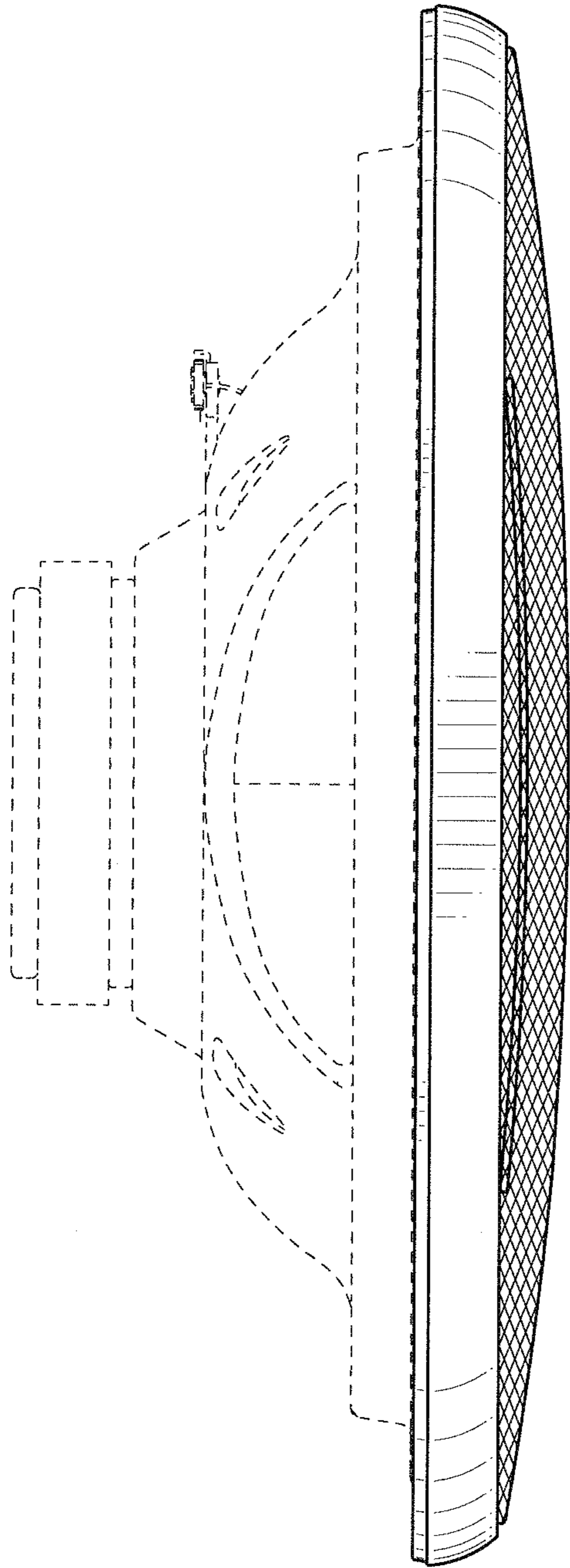


FIG. 6

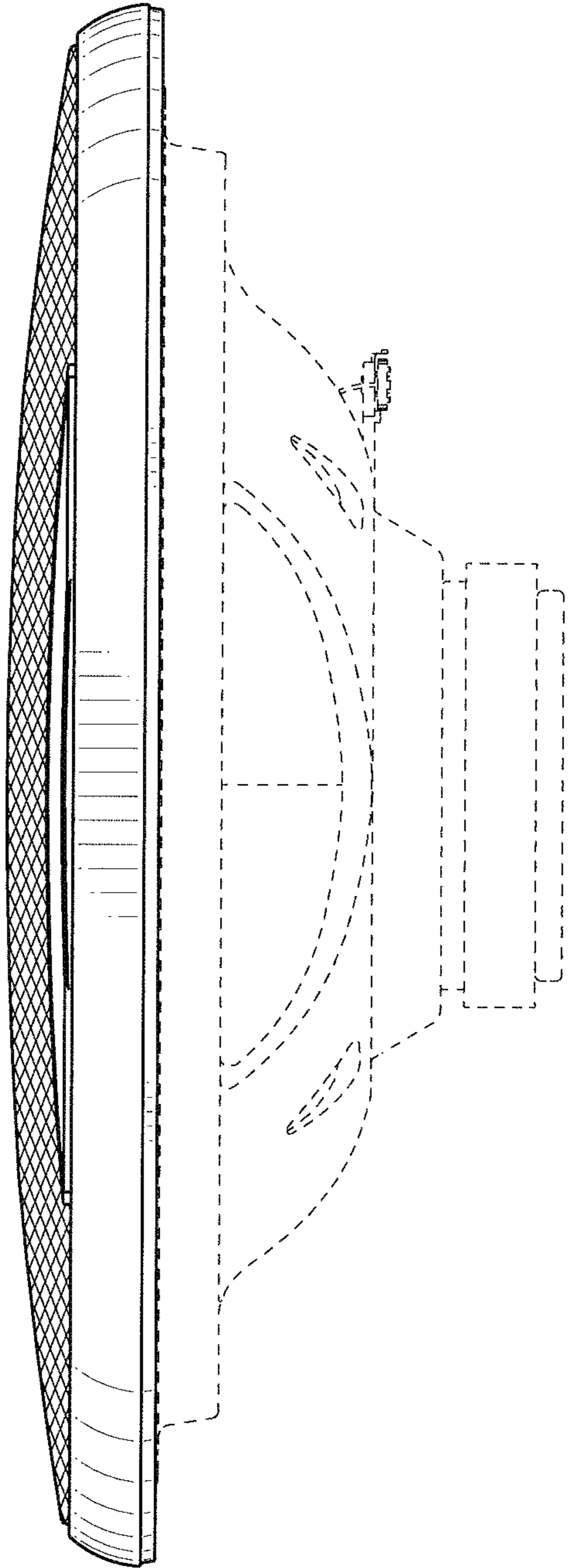


FIG. 7

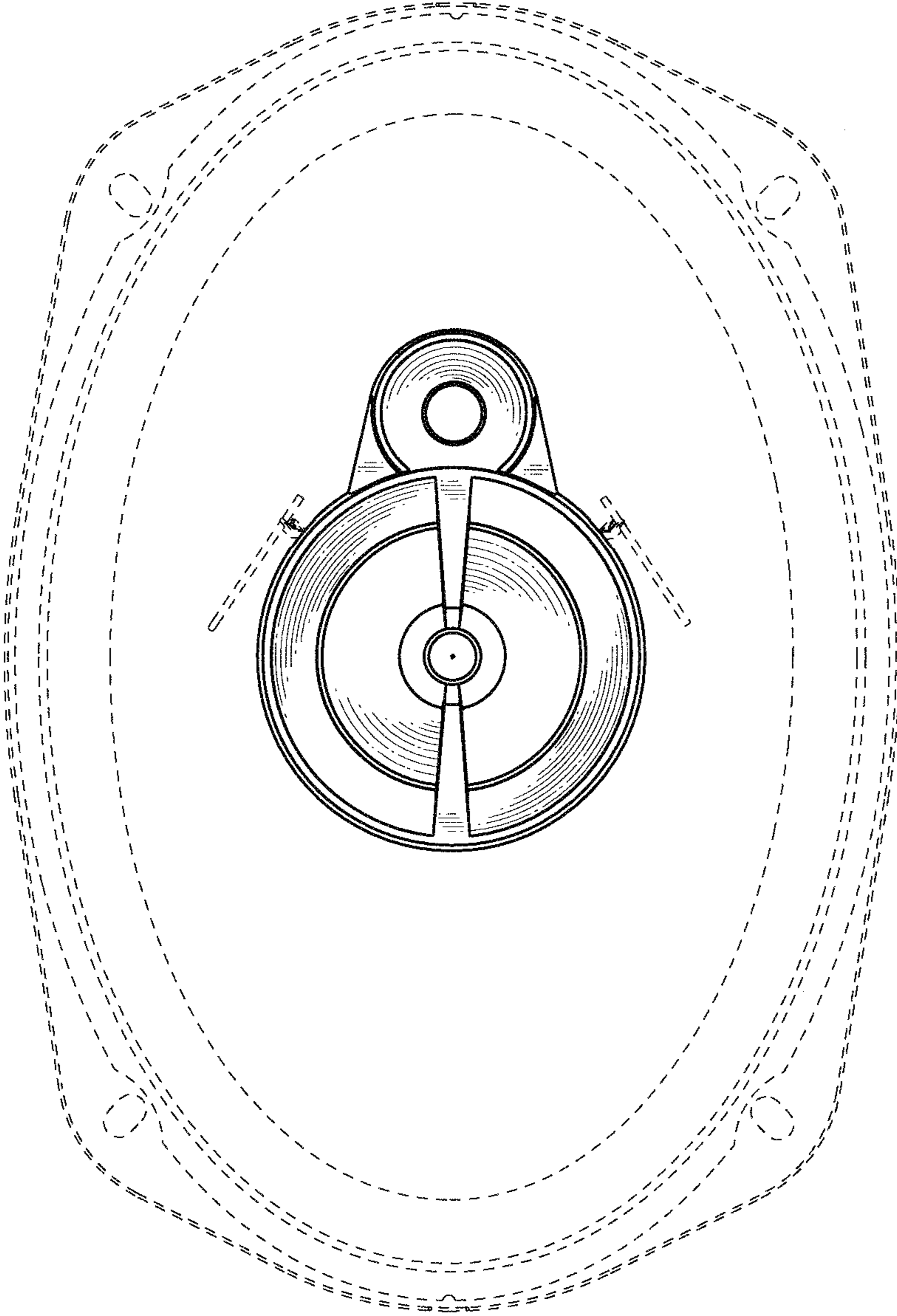


FIG. 8