



US00D875079S

(12) **United States Design Patent**
Luo

(10) **Patent No.:** **US D875,079 S**

(45) **Date of Patent:** **** Feb. 11, 2020**

(54) **WIRELESS LOUDSPEAKER**

(71) Applicant: **Shenzhen Weiking Technology Co., Ltd**, Shenzhen, Guangdong (CN)

(72) Inventor: **Fuguang Luo**, Guangdong (CN)

(73) Assignee: **Shenzhen Weiking Technology Co., Ltd**, Shenzhen (CN)

(**) Term: **15 Years**

(21) Appl. No.: **29/628,033**

(22) Filed: **Nov. 30, 2017**

(51) **LOC (12) Cl.** **14-01**

(52) **U.S. Cl.**
USPC **D14/216**

(58) **Field of Classification Search**
USPC D14/167, 168, 170–172, 188, 194–196,
D14/204, 209.1, 210–216, 219, 221, 222,
D14/224, 239, 496
CPC B60R 11/0217; G06F 1/1688; G10K 9/22;
G10K 11/004; H03F 1/327; H04M 1/03;
H04M 1/035; H04N 5/642; H04N
21/4852; H04R 1/02; H04R 1/06; H04R
1/021; H04R 1/025; H04R 1/026; H04R
1/028; H04R 1/105; H04R 1/323; H04R
1/403; H04R 1/2803; H04R 1/2834;
H04R 5/02; H04R 7/20; H04R 9/06;
H04R 9/025; H04R 2201/021; H04R
2400/00; H04R 2400/07; H04R 2499/11;
H04R 2499/13; H04R 2499/15; H04S
3/00; H04S 7/30

See application file for complete search history.

(56) **References Cited**

U.S. PATENT DOCUMENTS

| | | | | | |
|------------|---|---------|------------|-------|-----------|
| D700,904 S | * | 3/2014 | Miller | | D13/168 |
| D771,142 S | * | 11/2016 | Langhammer | | D14/203.6 |
| D792,468 S | * | 7/2017 | Langhammer | | D14/203.3 |
| D815,149 S | * | 4/2018 | Langhammer | | D14/496 |
| D826,205 S | * | 8/2018 | Langhammer | | D14/203.6 |
| D828,331 S | * | 9/2018 | Li | | D14/216 |
| D836,610 S | * | 12/2018 | Yoon | | D14/216 |
| D848,398 S | * | 5/2019 | Huang | | D14/216 |

* cited by examiner

Primary Examiner — Keli L Hill

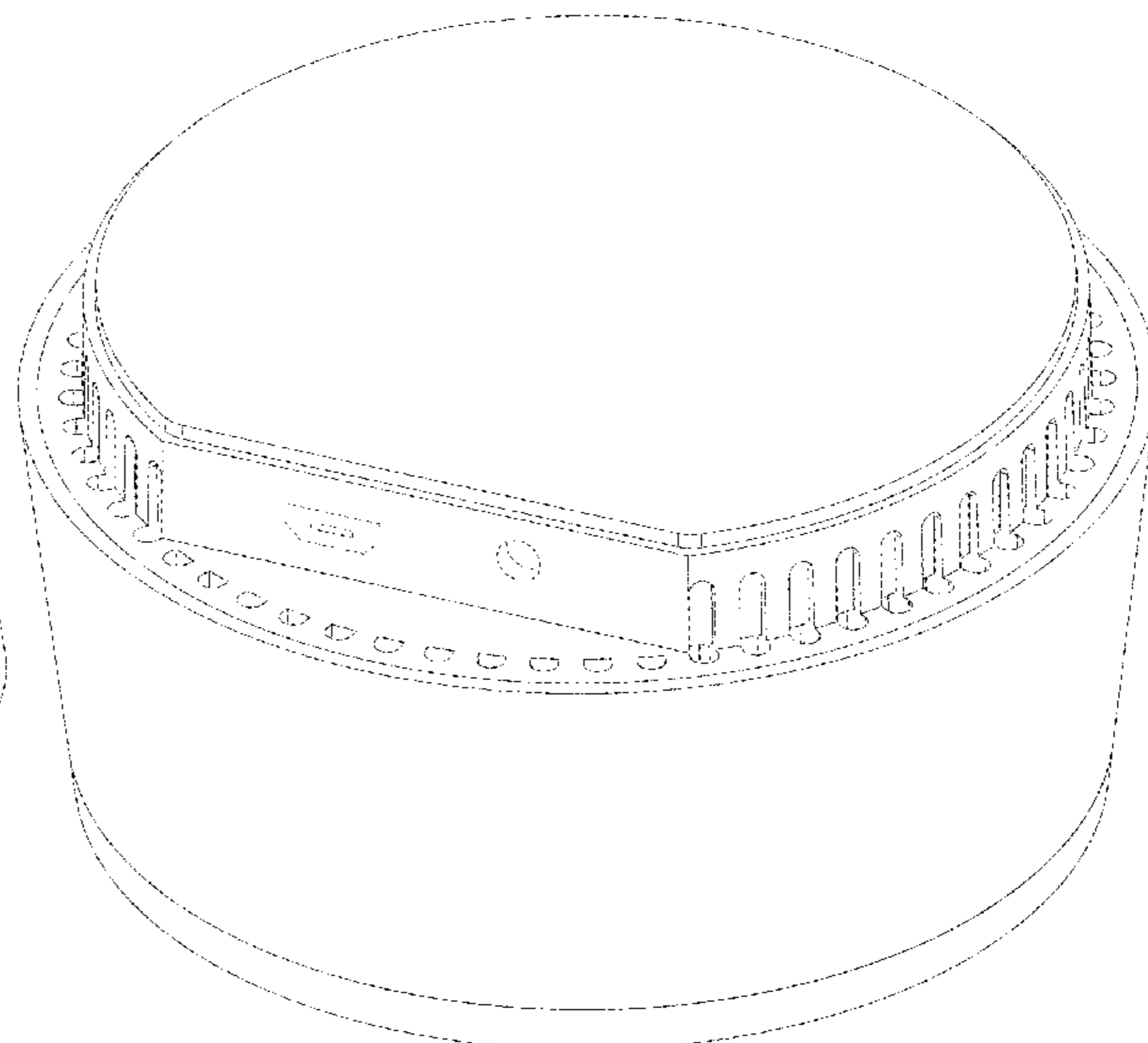
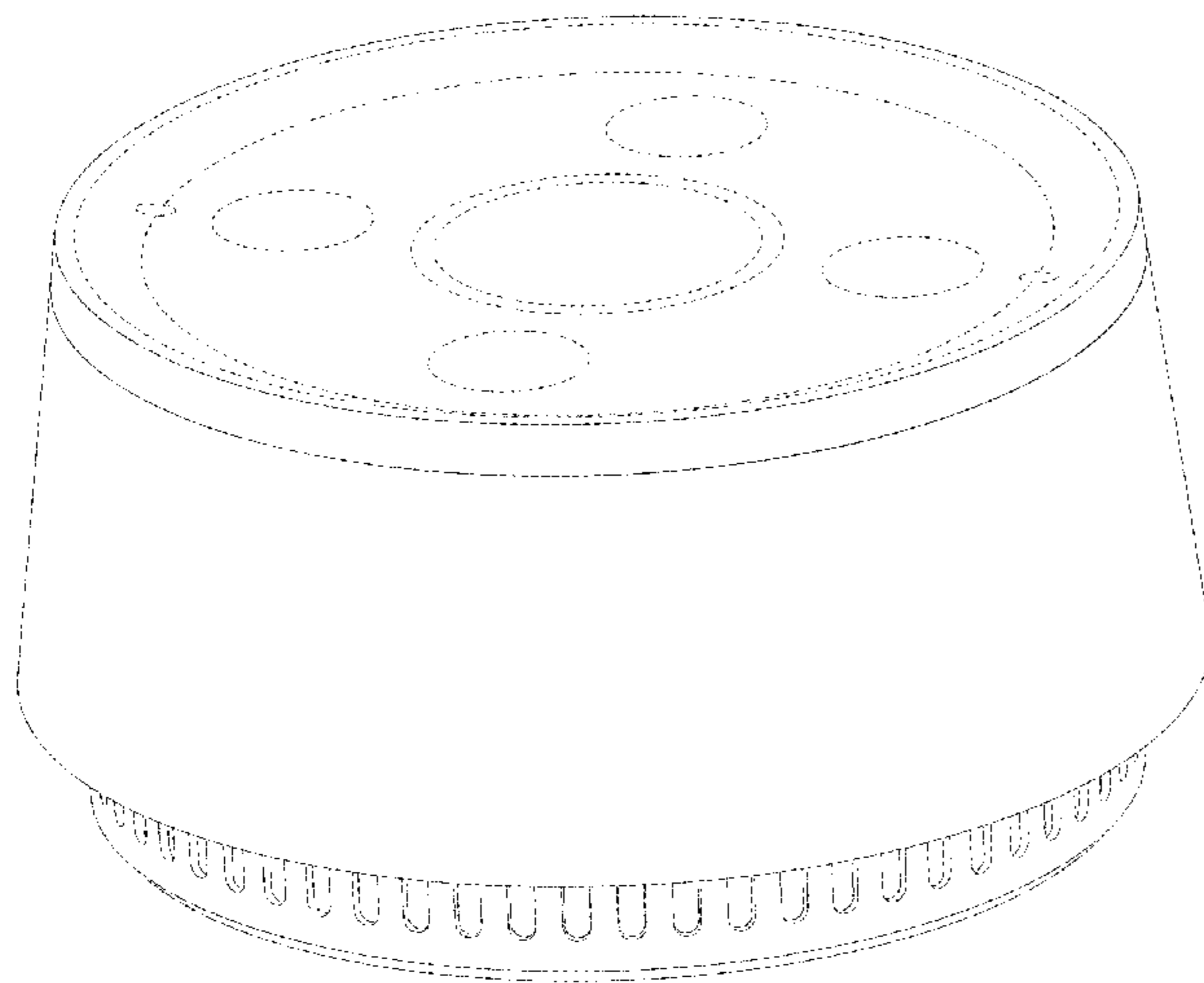
(57) **CLAIM**

The ornamental design for a wireless loudspeaker, as shown and described.

DESCRIPTION

FIG. 1 is a front elevational view of a wireless loudspeaker showing my new design;
FIG. 2 is a rear elevational view thereof;
FIG. 3 is a left side view thereof;
FIG. 4 is a right side view thereof;
FIG. 5 is a top plan view thereof;
FIG. 6 is a bottom plan view thereof;
FIG. 7 is a first perspective view thereof; and,
FIG. 8 is a second perspective view thereof.
The broken lines in the drawings illustrate portions of the wireless loudspeaker which form no part of the claimed design.

1 Claim, 8 Drawing Sheets



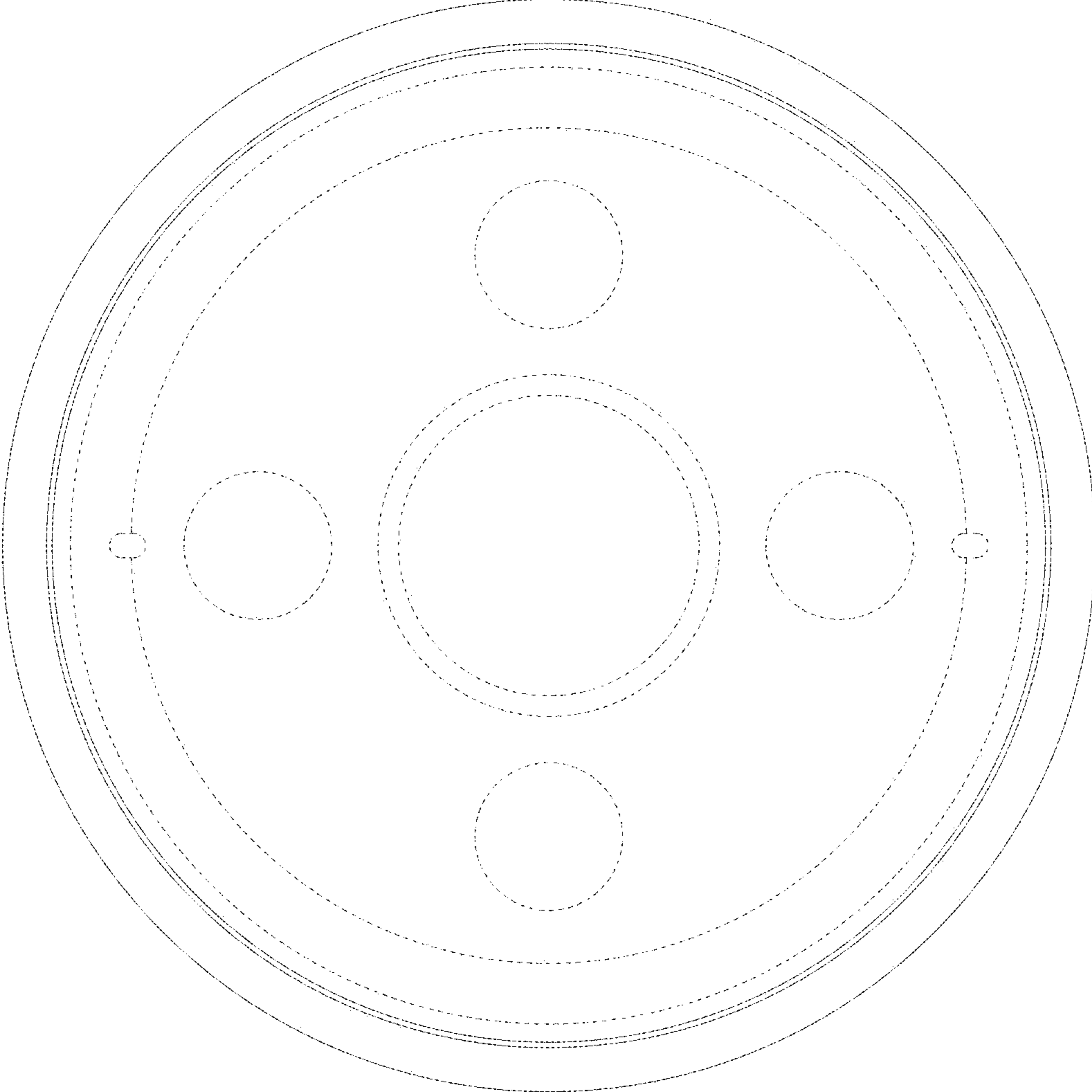


Fig. 1

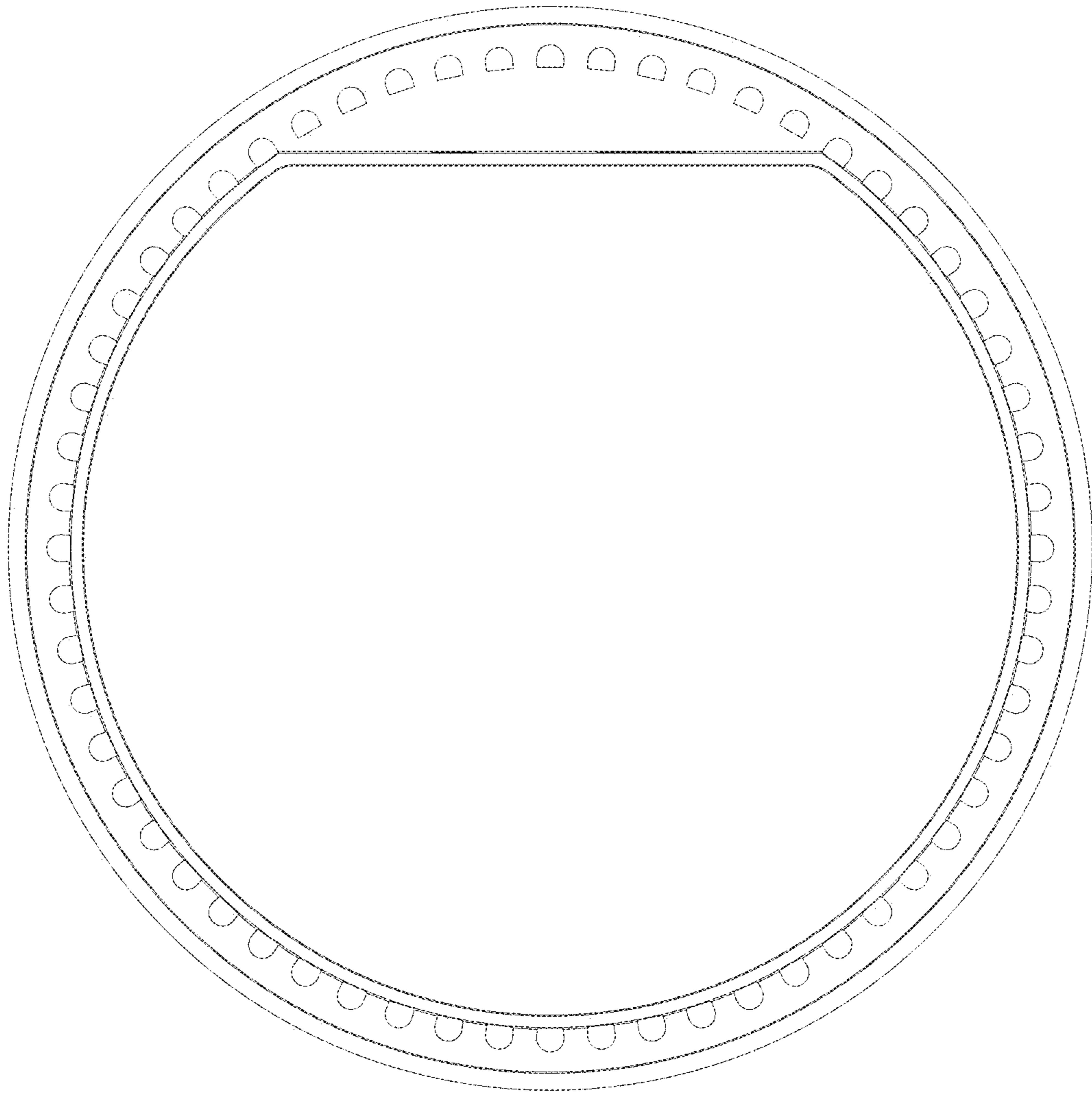


Fig. 2

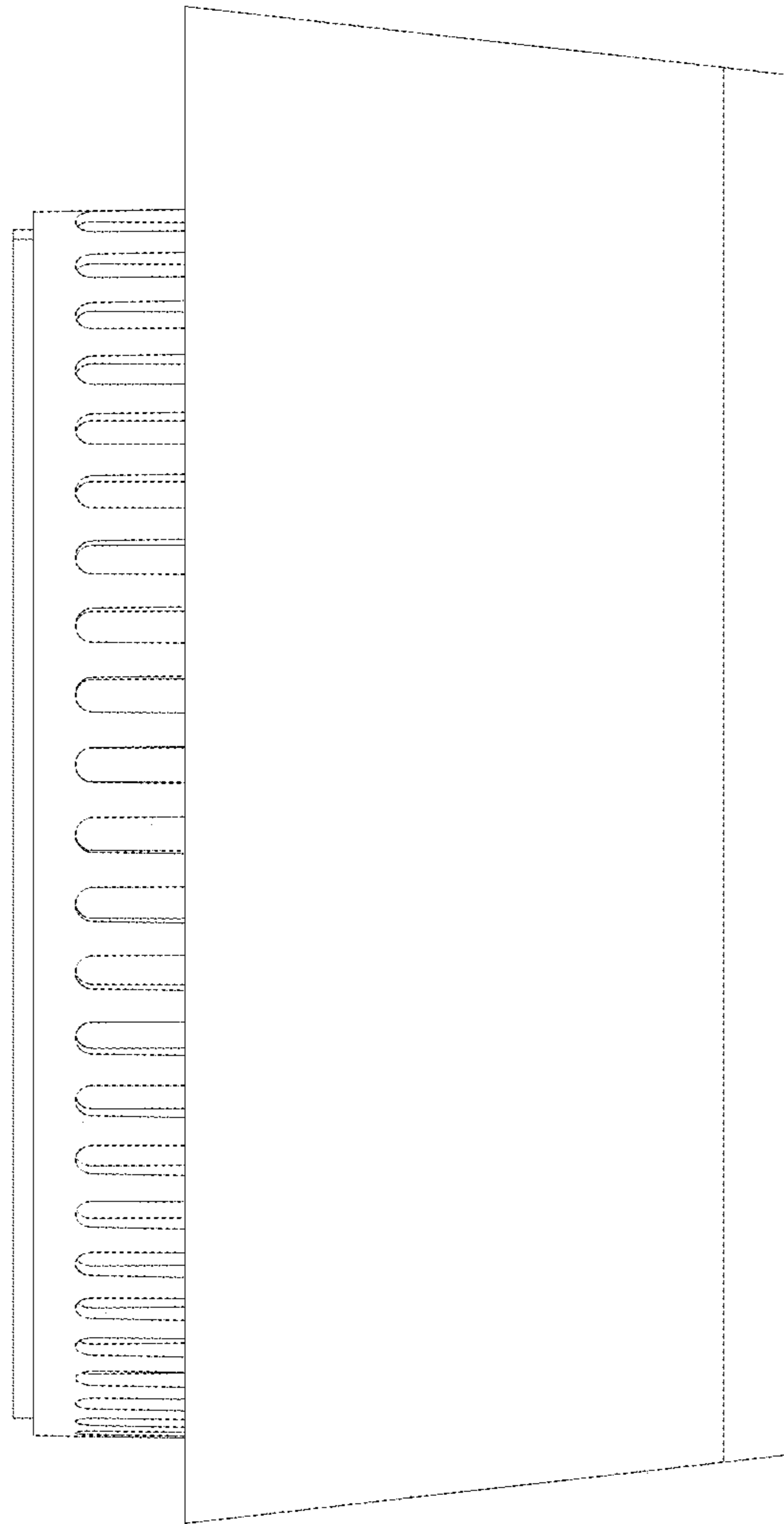


Fig. 3

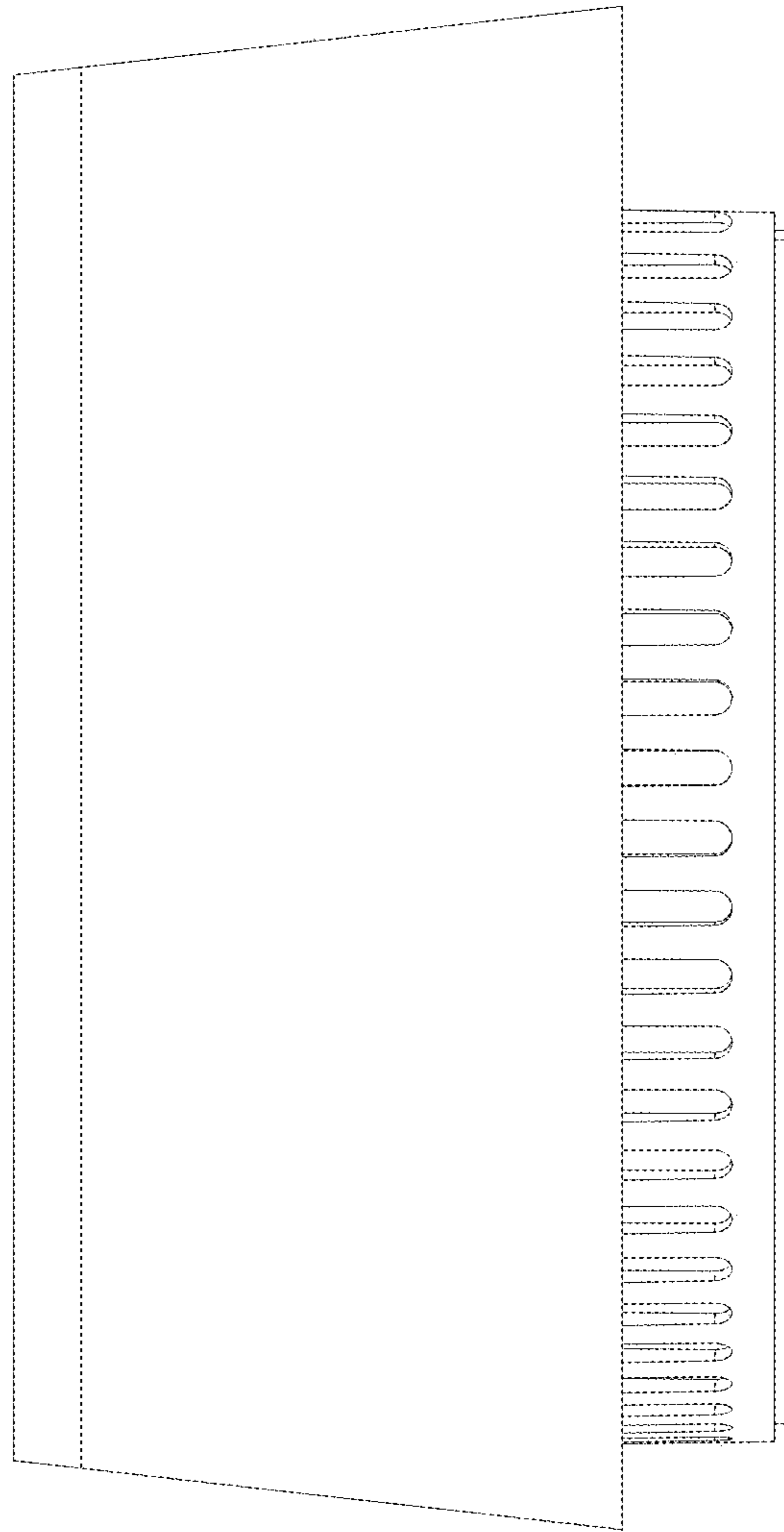


Fig. 4

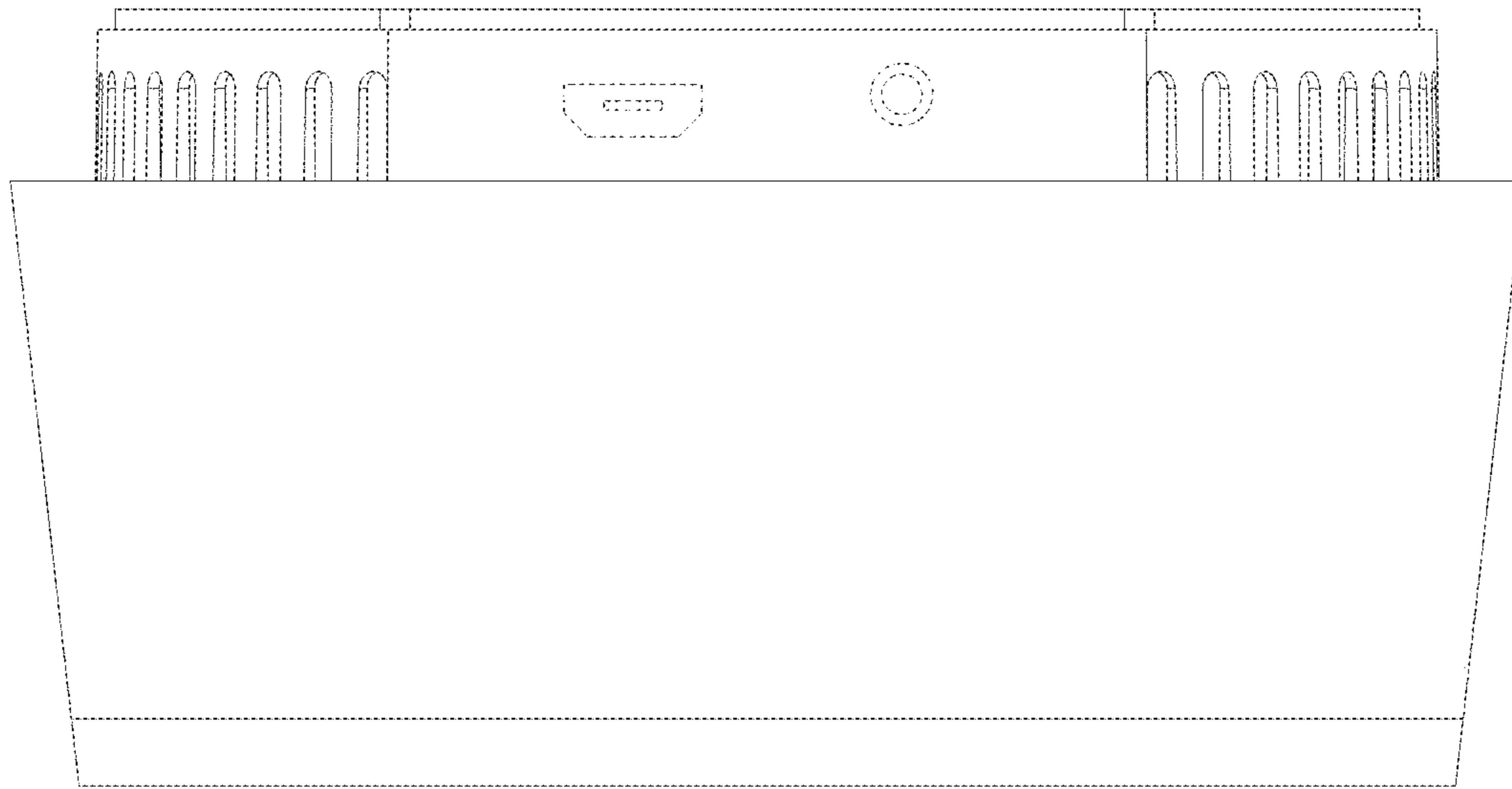


Fig. 5

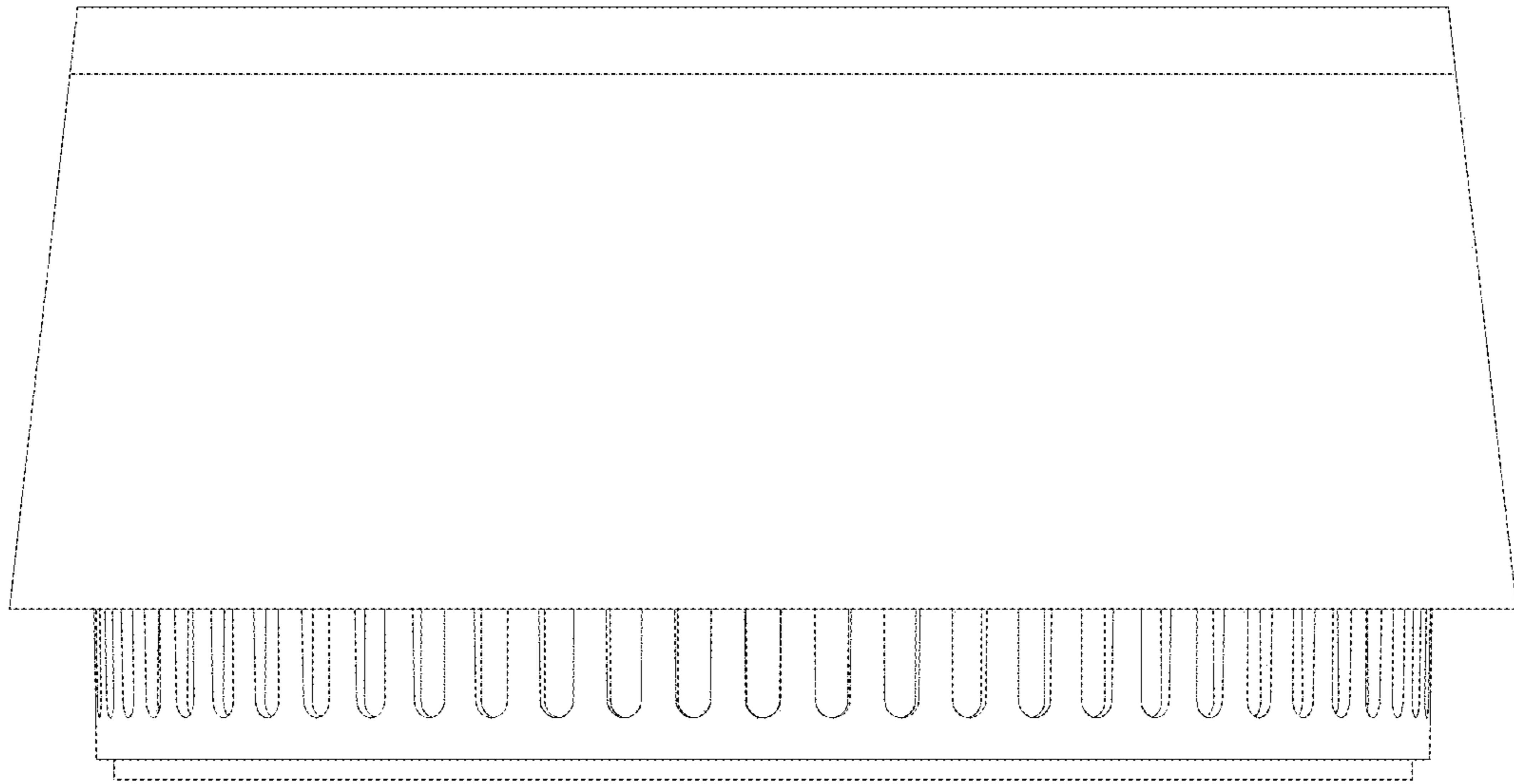


Fig. 6

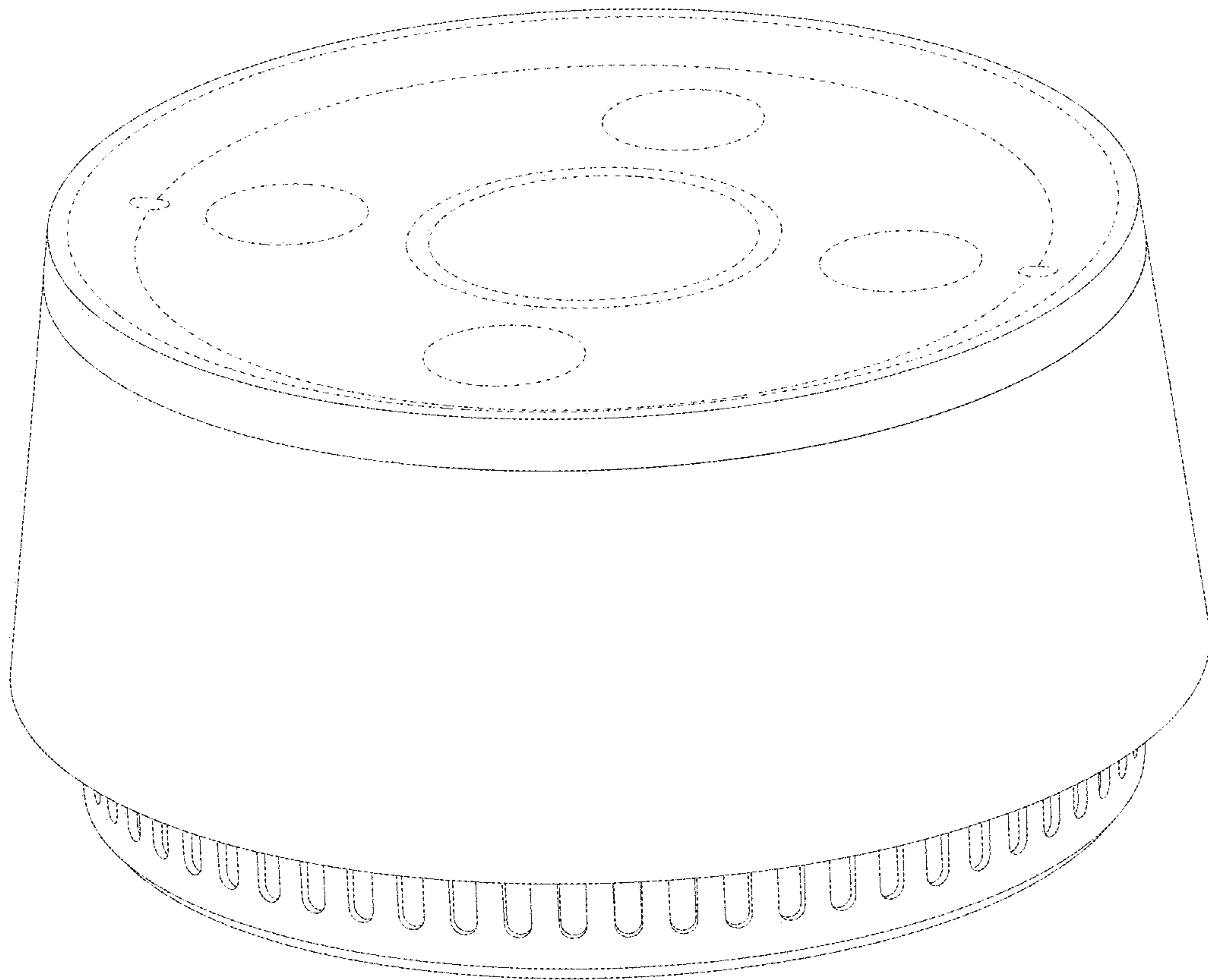


Fig. 7

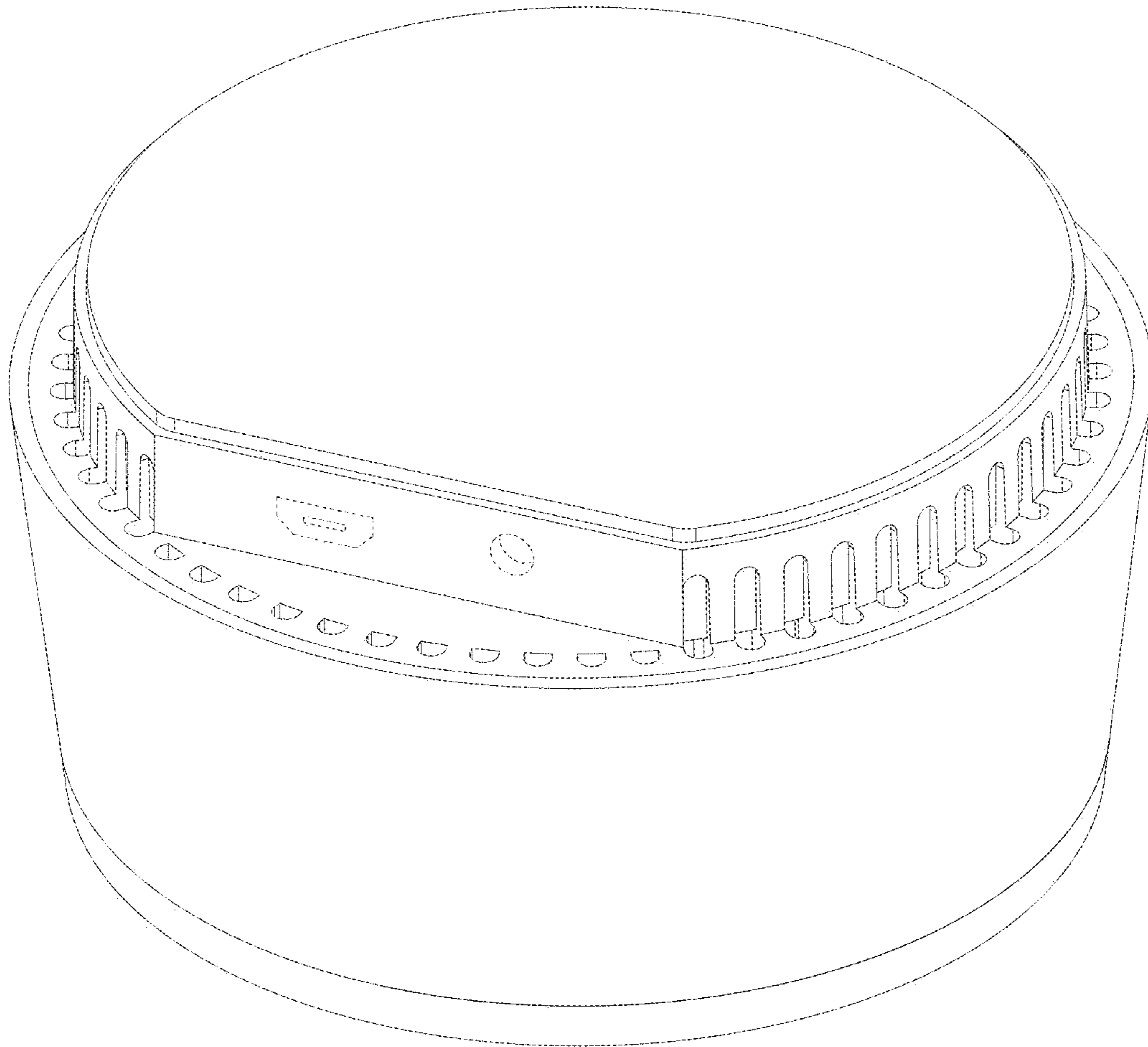


Fig. 8