



US00D875078S

(12) **United States Design Patent**  
**Horiuchi**

(10) **Patent No.:** **US D875,078 S**

(45) **Date of Patent:** **\*\* Feb. 11, 2020**

(54) **SPEAKER FOR AUTOMOBILE**

(71) Applicant: **PIONEER CORPORATION**, Tokyo  
(JP)

(72) Inventor: **Yuto Horiuchi**, Tokyo (JP)

(73) Assignee: **PIONEER CORPORATION**, Tokyo  
(JP)

(\*\*) Term: **15 Years**

(21) Appl. No.: **29/627,682**

(22) Filed: **Nov. 29, 2017**

(30) **Foreign Application Priority Data**

Jul. 11, 2017 (JP) ..... 2017-014892

(51) **LOC (12) Cl.** ..... **14-01**

(52) **U.S. Cl.**  
USPC ..... **D14/216; D14/221**

(58) **Field of Classification Search**  
USPC ..... D14/167, 168, 170-172, 188, 194-196,  
D14/204, 209.1, 210-216, 219, 221, 222,  
D14/224, 239, 496

CPC ..... B60R 11/0217; G06F 1/1688; G10K 9/22;  
G10K 11/004; H03F 1/327; H04M 1/03;  
H04M 1/035; H04N 5/642; H04N  
21/4852; H04R 1/02; H04R 1/06; H04R  
1/021; H04R 1/025; H04R 1/026; H04R  
1/028; H04R 1/105; H04R 1/323; H04R  
1/403; H04R 1/2803; H04R 1/2834;  
H04R 5/02; H04R 7/20; H04R 9/06;  
H04R 9/025; H04R 2201/021; H04R  
2400/00; H04R 2400/07; H04R 2499/11;  
H04R 2499/13; H04R 2499/15; H04S  
3/00; H04S 7/30

See application file for complete search history.

(56) **References Cited**

**U.S. PATENT DOCUMENTS**

D356,089 S \* 3/1995 Hedaya ..... D14/215  
D554,620 S \* 11/2007 Shiono ..... D14/216

D585,425 S \* 1/2009 Natori ..... D14/216  
D591,729 S \* 5/2009 Natori ..... D14/216  
D593,073 S \* 5/2009 Kurihara ..... D14/216

(Continued)

**FOREIGN PATENT DOCUMENTS**

JP 1269103 S 4/2006  
JP 1329064 S 5/2008  
JP 1329079 S 5/2008

(Continued)

**OTHER PUBLICATIONS**

Pioneer Catalog published in 2016, Audio AV 2017 Car Entertainment Dealer Reference Guide vol. 1, 7 pages.

*Primary Examiner* — Keli L Hill

(74) *Attorney, Agent, or Firm* — Drinker Biddle & Reath LLP

(57) **CLAIM**

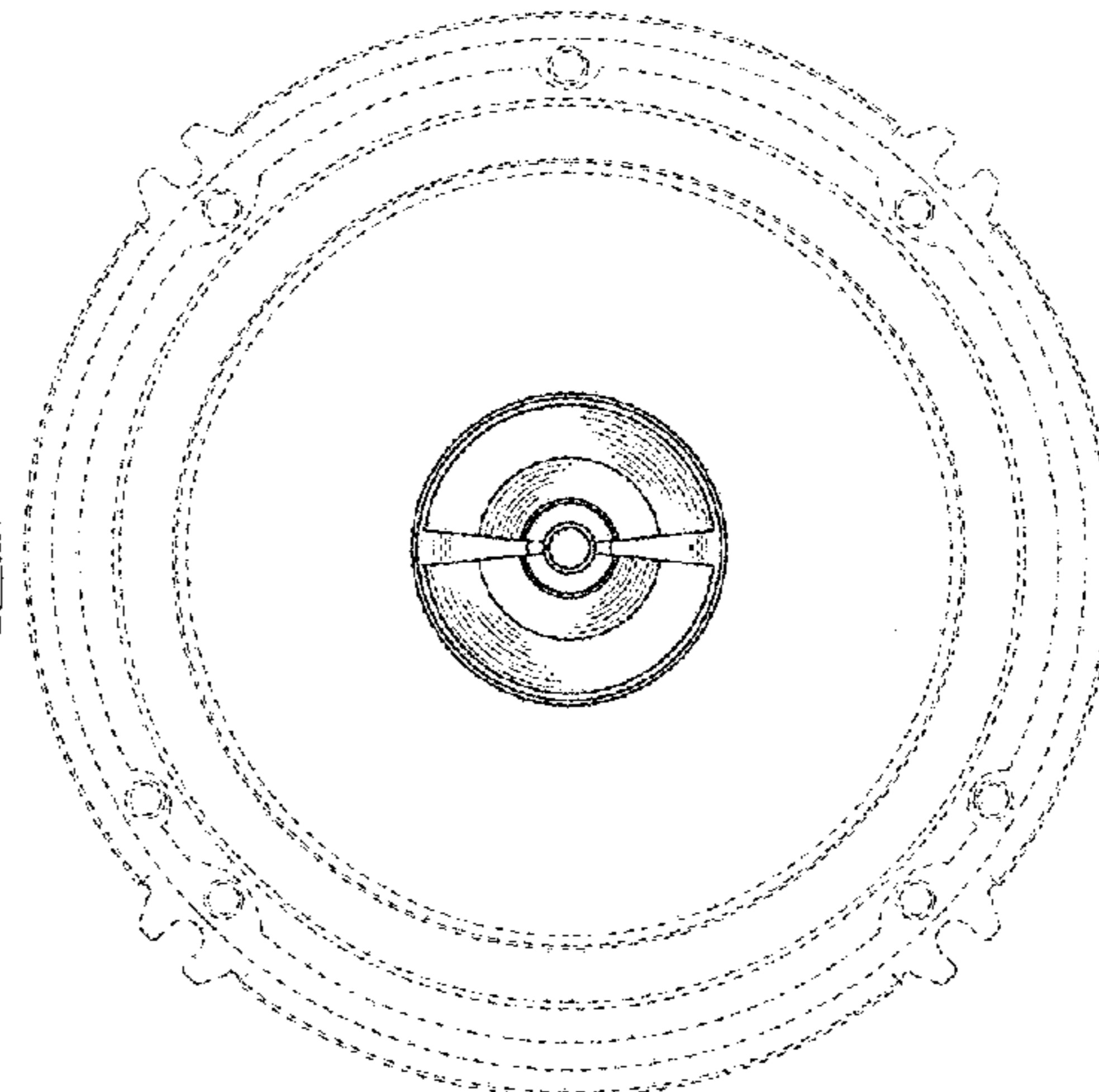
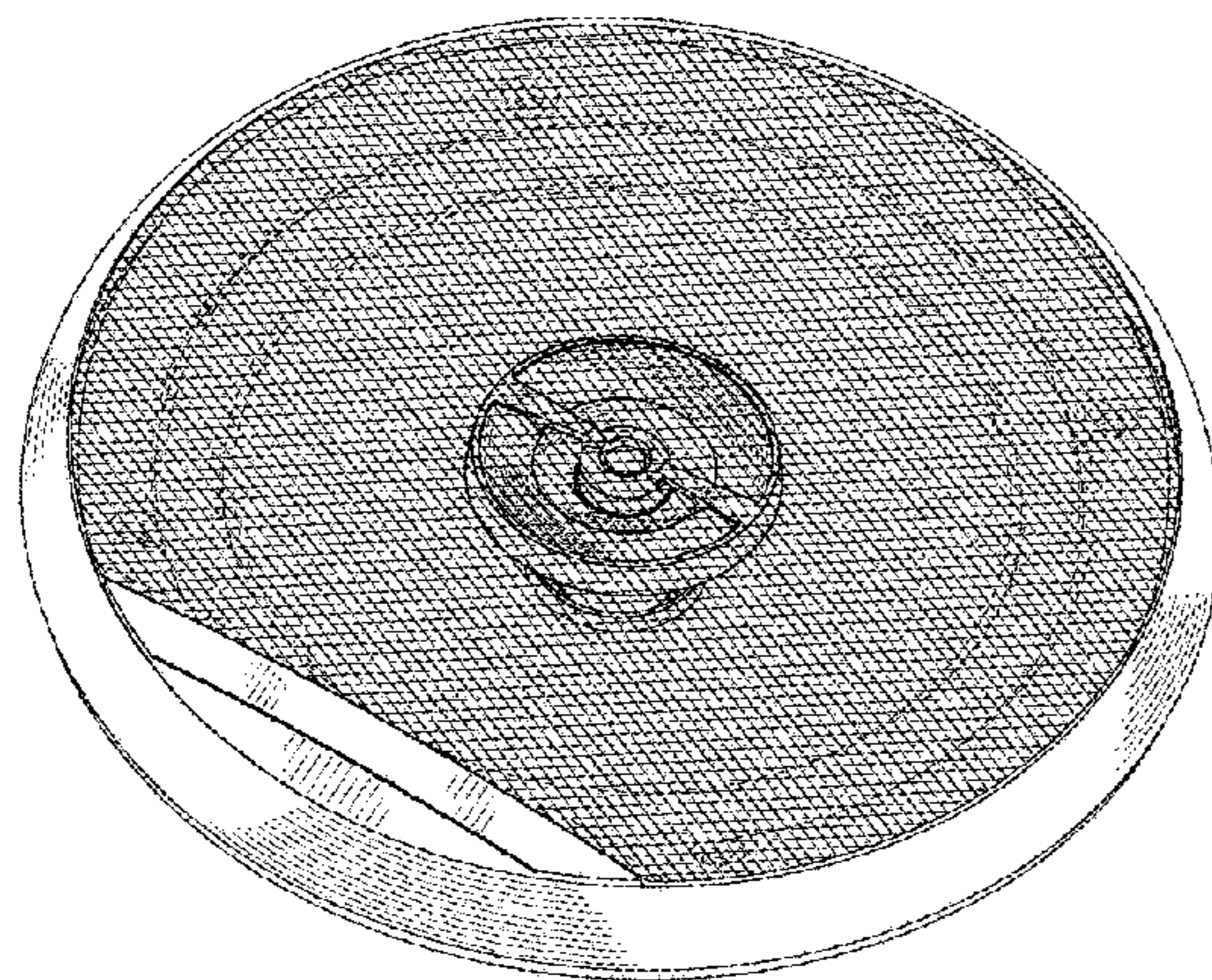
The ornamental design for the speaker for automobile, as shown and described.

**DESCRIPTION**

FIG. 1 is a perspective view of a speaker for automobile showing my new design;  
FIG. 2 is a front view thereof;  
FIG. 3 is a rear view thereof;  
FIG. 4 is a left side view thereof;  
FIG. 5 is a right side view thereof;  
FIG. 6 is a top view thereof;  
FIG. 7 is a bottom view thereof; and,  
FIG. 8 is a front view showing a state that the grille is removed.

The broken line showing of the speaker for automobile is included for the purpose of illustrating portions of the speaker for automobile and forms no part of the claimed design.

**1 Claim, 8 Drawing Sheets**



(56)

**References Cited**

U.S. PATENT DOCUMENTS

D840,375 S \* 2/2019 Sakata ..... D14/216  
D859,365 S \* 9/2019 Kitamura ..... D14/216

FOREIGN PATENT DOCUMENTS

JP 1329109 S 5/2008  
JP 1380923 S 2/2010  
JP 1386931 S 5/2010  
JP 1518778 S 3/2015  
JP 1519046 S 3/2015

\* cited by examiner

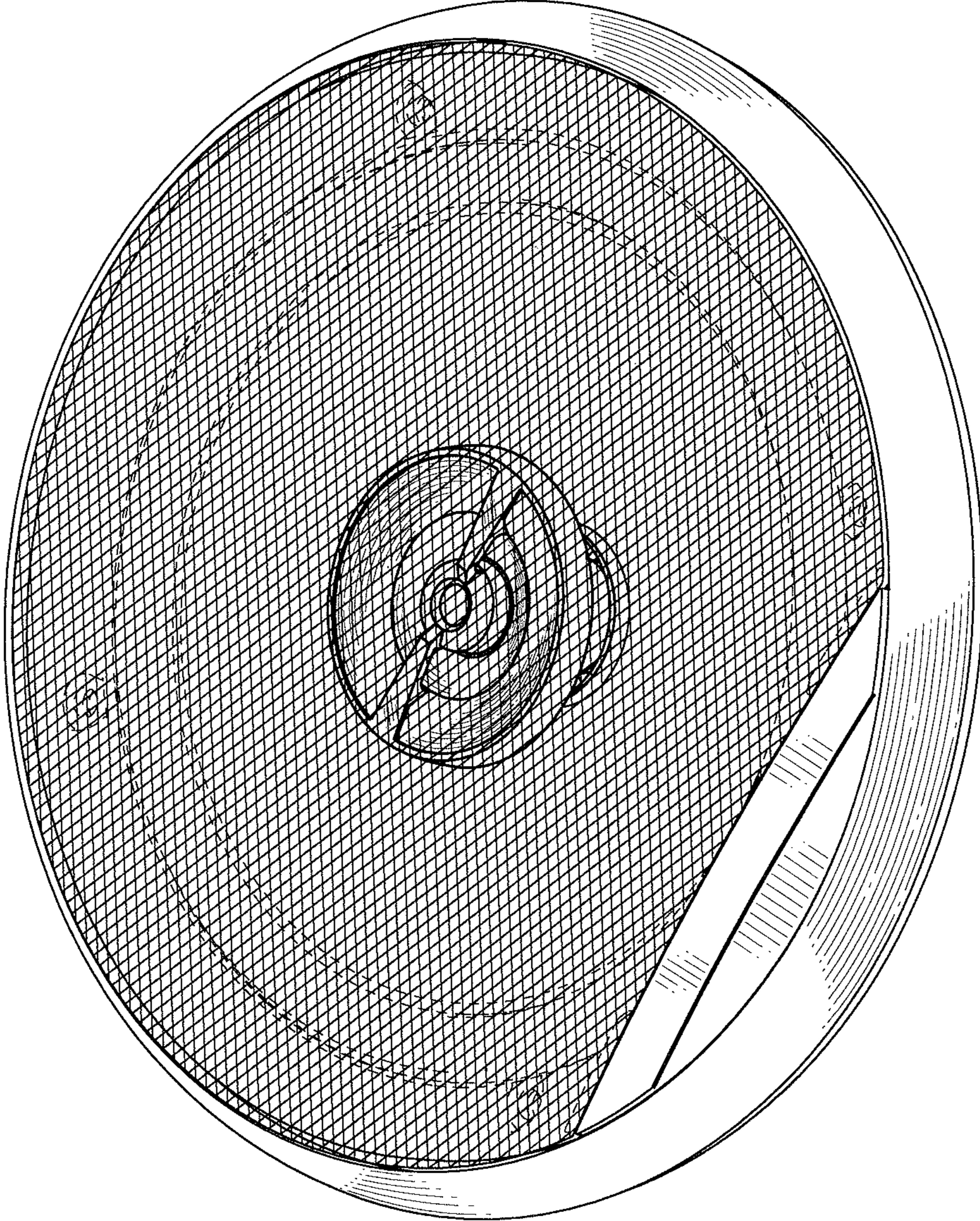


FIG. 1

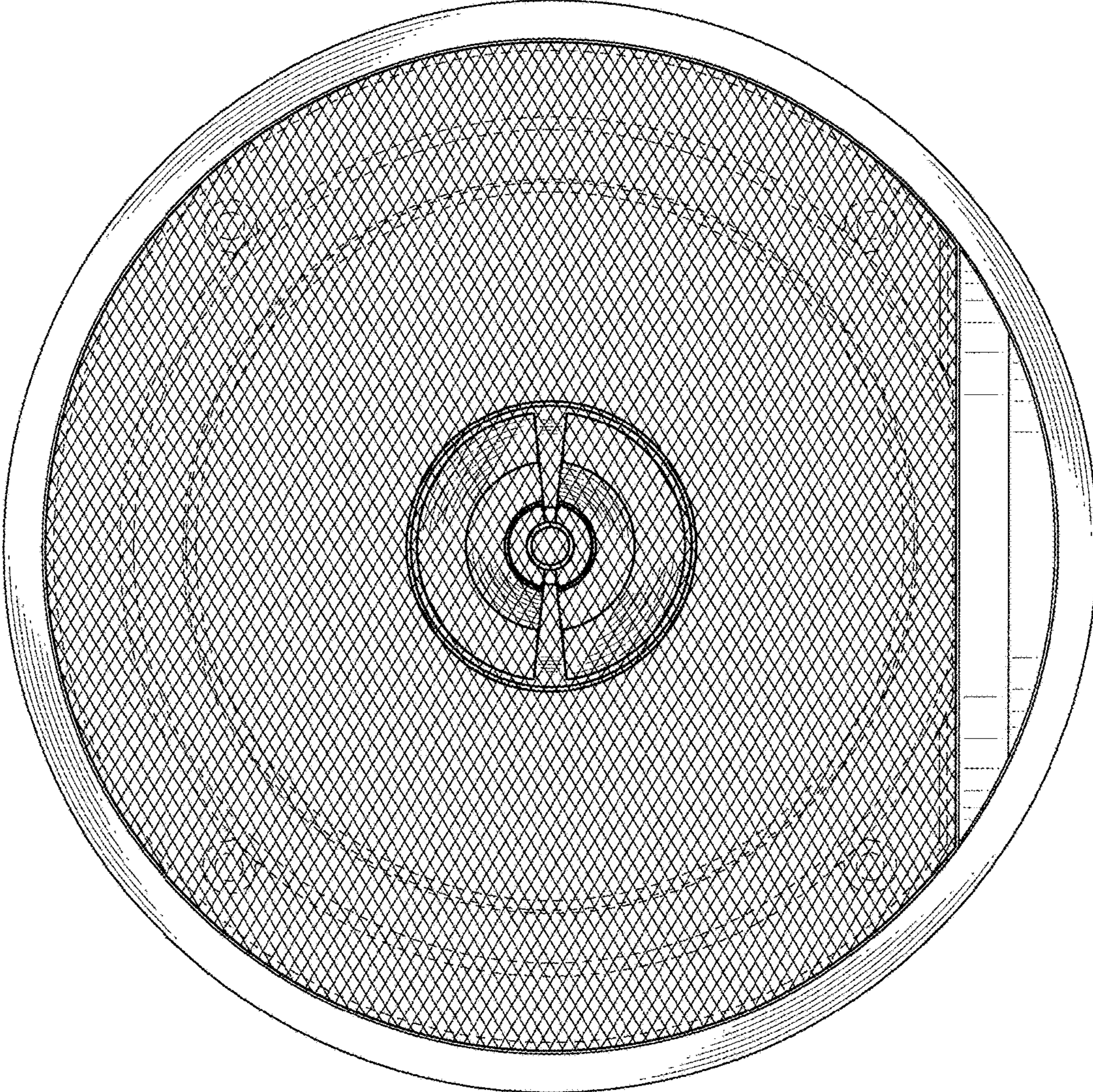


FIG. 2

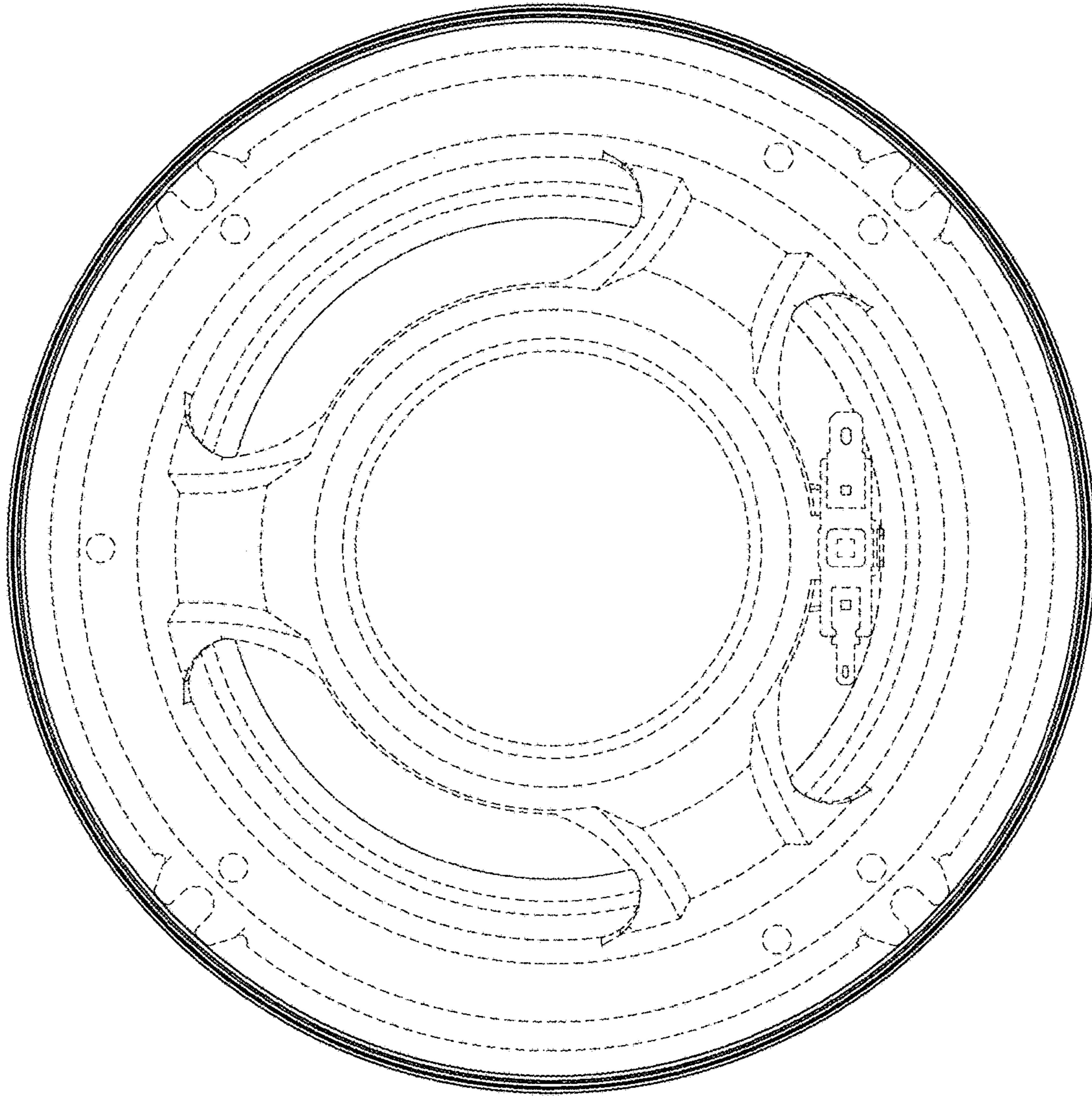


FIG. 3

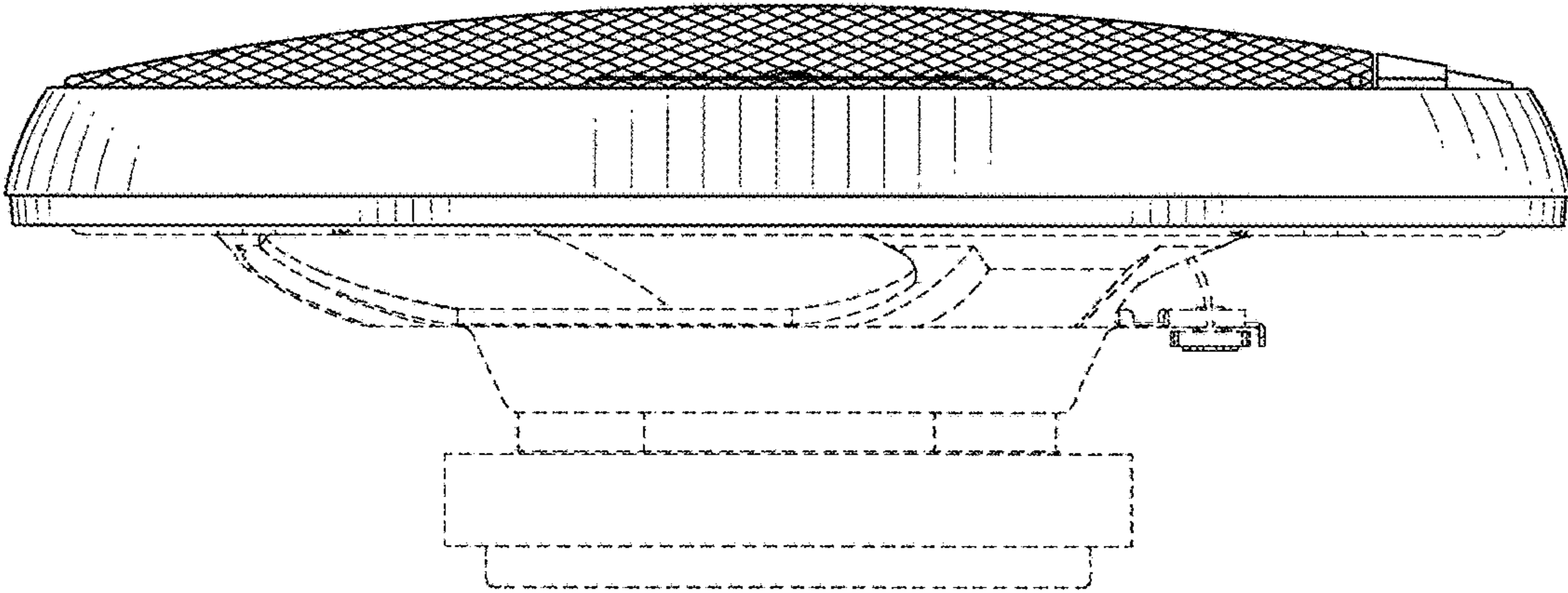


FIG. 4

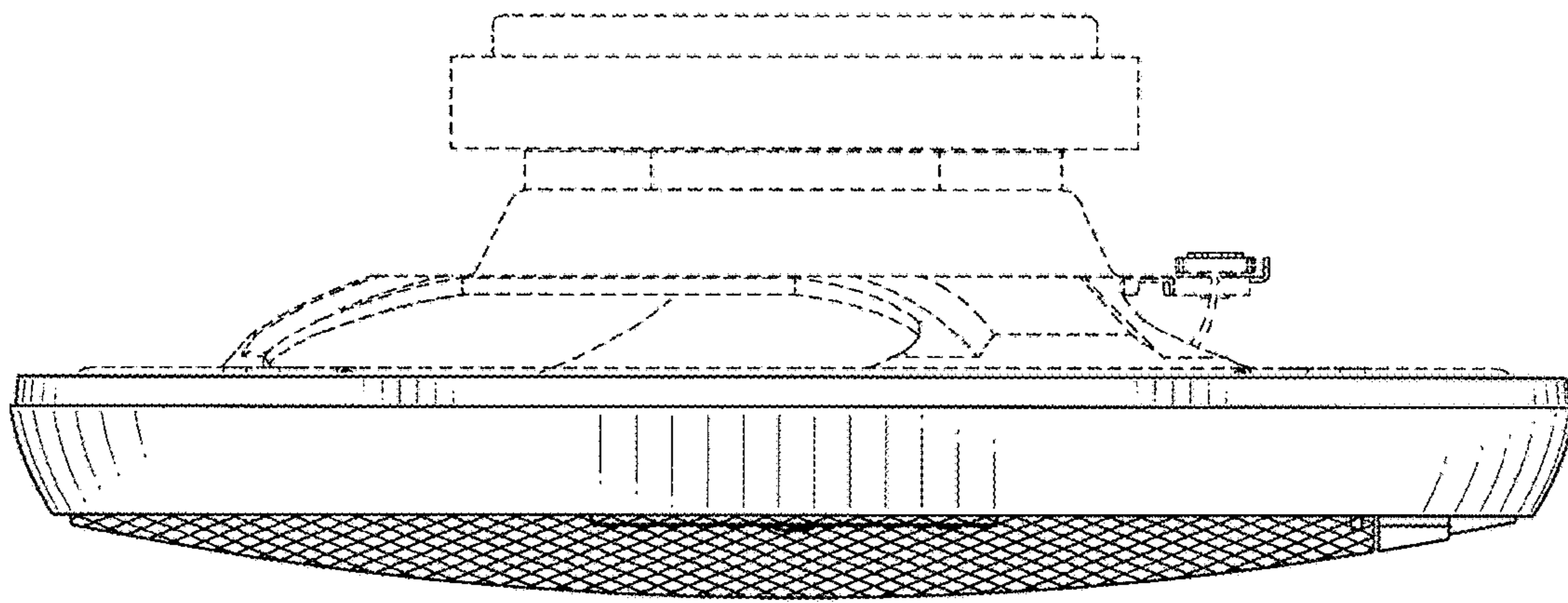


FIG. 5

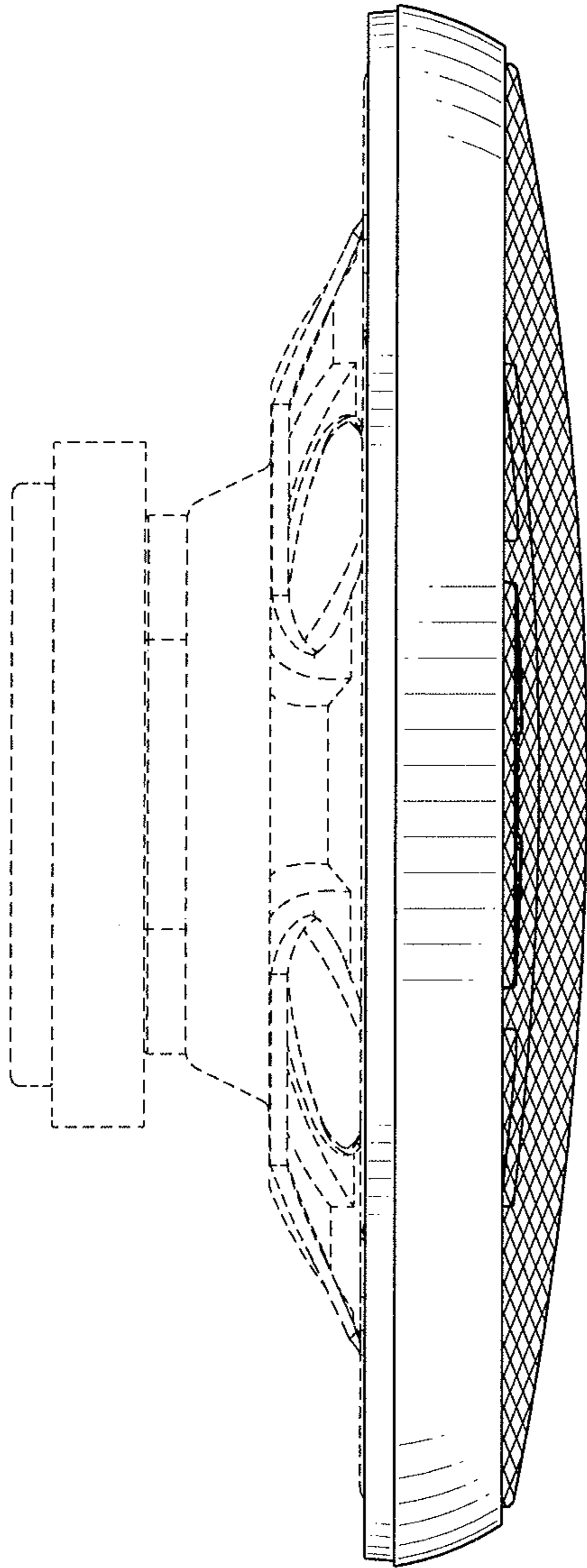


FIG. 6



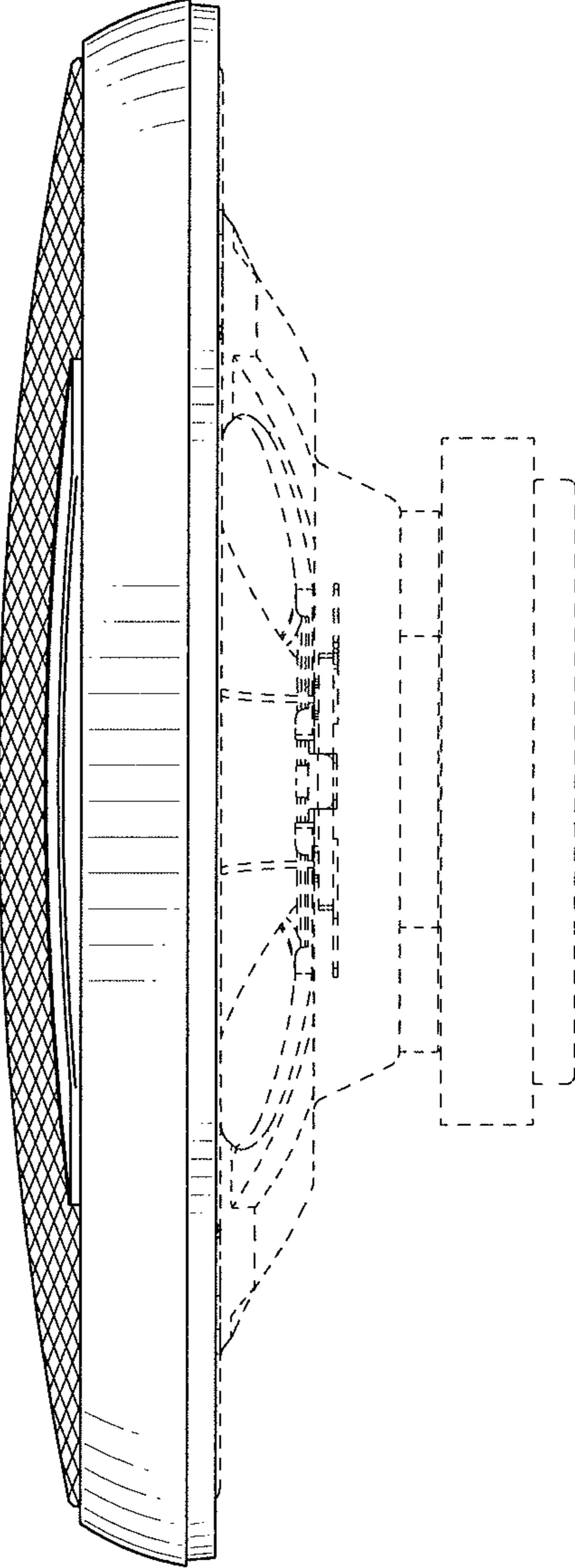


FIG. 7

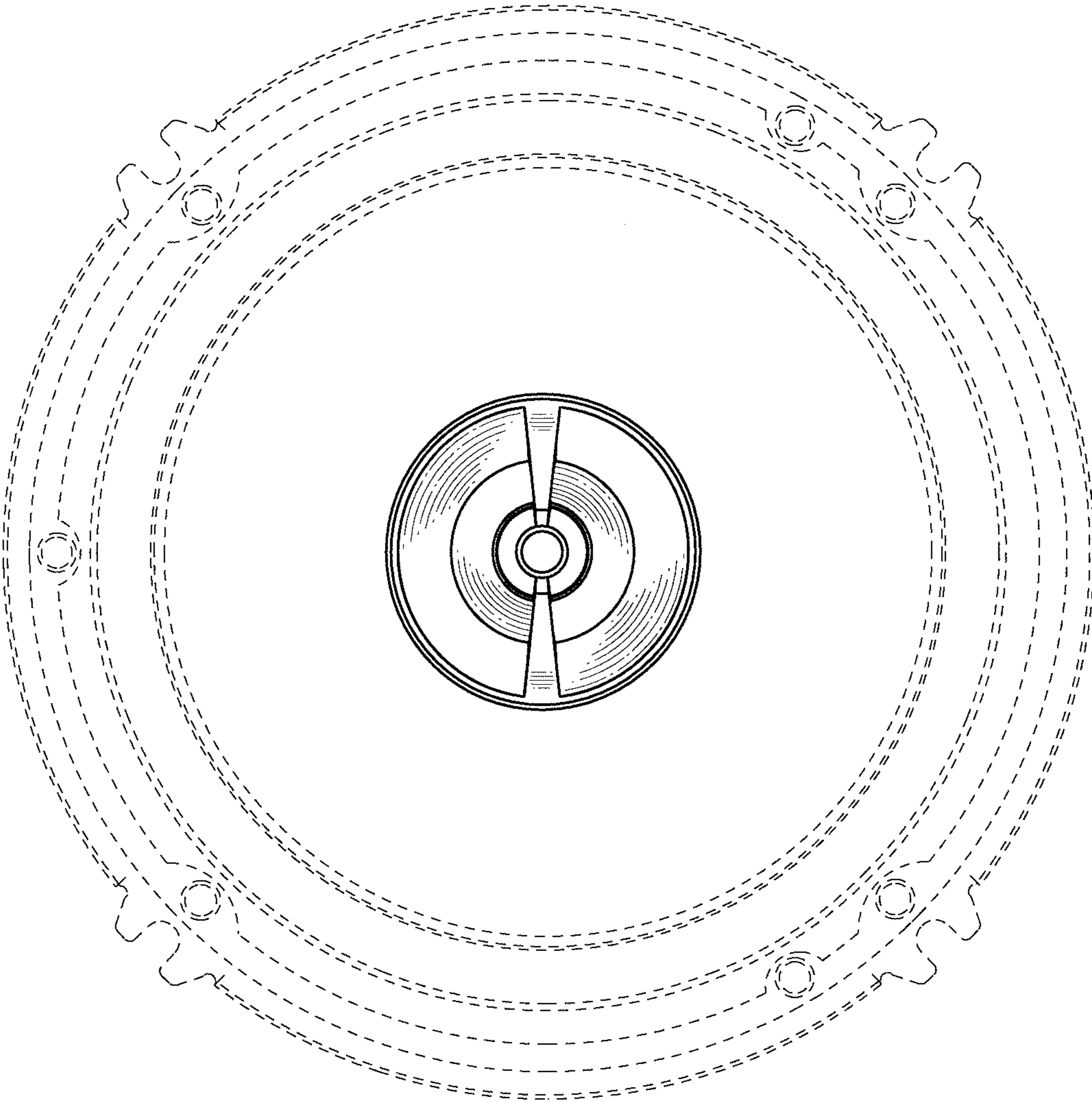


FIG. 8