



US00D875076S

(12) **United States Design Patent**
Sakata et al.

(10) **Patent No.:** **US D875,076 S**

(45) **Date of Patent:** **** Feb. 11, 2020**

(54) **AUTOMOTIVE SPEAKER BOX WITH AMPLIFIER**

2400/00; H04R 2400/07; H04R 2499/11;
H04R 2499/13; H04R 2499/15; H04S
3/00; H04S 7/30

(71) Applicant: **JVC KENWOOD Corporation**,
Kanagawa-ku Yokohama-shi Kanagawa
(JP)

See application file for complete search history.

(72) Inventors: **Yu Sakata**, Yokohama (JP); **Masaya Mihara**, Yokohama (JP)

(56) **References Cited**

(73) Assignee: **JVC KENWOOD CORPORATION**,
Yokohama-Shi (JP)

U.S. PATENT DOCUMENTS

(**) Term: **15 Years**

D278,906 S *	5/1985	Nakamura	D14/194
D312,640 S *	12/1990	Taniguchi	D14/194
D345,314 S *	3/1994	Chandra	D14/185
D350,756 S *	9/1994	Zelios	D14/191
D559,268 S *	1/2008	Yu	D14/496
D596,614 S *	7/2009	Wilson	D14/188
D613,725 S *	4/2010	Chen	D14/194
D688,230 S *	8/2013	Yoneya	D14/212
D719,129 S *	12/2014	Ryu	D14/188
D854,510 S *	7/2019	Carnahan	D14/204

(21) Appl. No.: **29/646,492**

(22) Filed: **May 4, 2018**

* cited by examiner

(30) **Foreign Application Priority Data**

Primary Examiner — Keli L Hill

Oct. 6, 2017 (JP) D2017-0246801

(74) *Attorney, Agent, or Firm* — Cantor Colburn LLP

(51) **LOC (12) Cl.** **14-01**

(57) **CLAIM**

(52) **U.S. Cl.**

The ornamental design for an automotive speaker box with amplifier, as shown and described.

USPC **D14/215**; D14/195

DESCRIPTION

(58) **Field of Classification Search**

USPC D14/162, 167–169, 175, 179, 188,
D14/194–198, 217, 257, 265, 299, 496,
D14/170–172, 204, 209.1, 210–216, 219,
D14/221, 222, 224, 239

FIG. 1 is a perspective view of the automotive speaker box with amplifier

FIG. 2 is a front view of FIG. 1;

FIG. 3 is a back side view of FIG. 1;

FIG. 4 is a top view of FIG. 1;

FIG. 5 is a bottom view of FIG. 1;

FIG. 6 is a right side view of FIG. 1; and,

FIG. 7 is a left side view of FIG. 1.

CPC B60R 11/0217; G06F 1/1688; G10K 9/22;
G10K 11/004; H03F 1/327; H04M 1/03;
H04M 1/035; H04N 5/642; H04N
21/4852; H04R 1/02; H04R 1/06; H04R
1/021; H04R 1/025; H04R 1/026; H04R
1/028; H04R 1/105; H04R 1/323; H04R
1/403; H04R 1/2803; H04R 1/2834;
H04R 5/02; H04R 7/20; H04R 9/06;
H04R 9/025; H04R 2201/021; H04R

The broken lines in the drawings are for the purpose of illustrating portions of the automotive speaker box with amplifier that form no part of the claimed design.

1 Claim, 7 Drawing Sheets

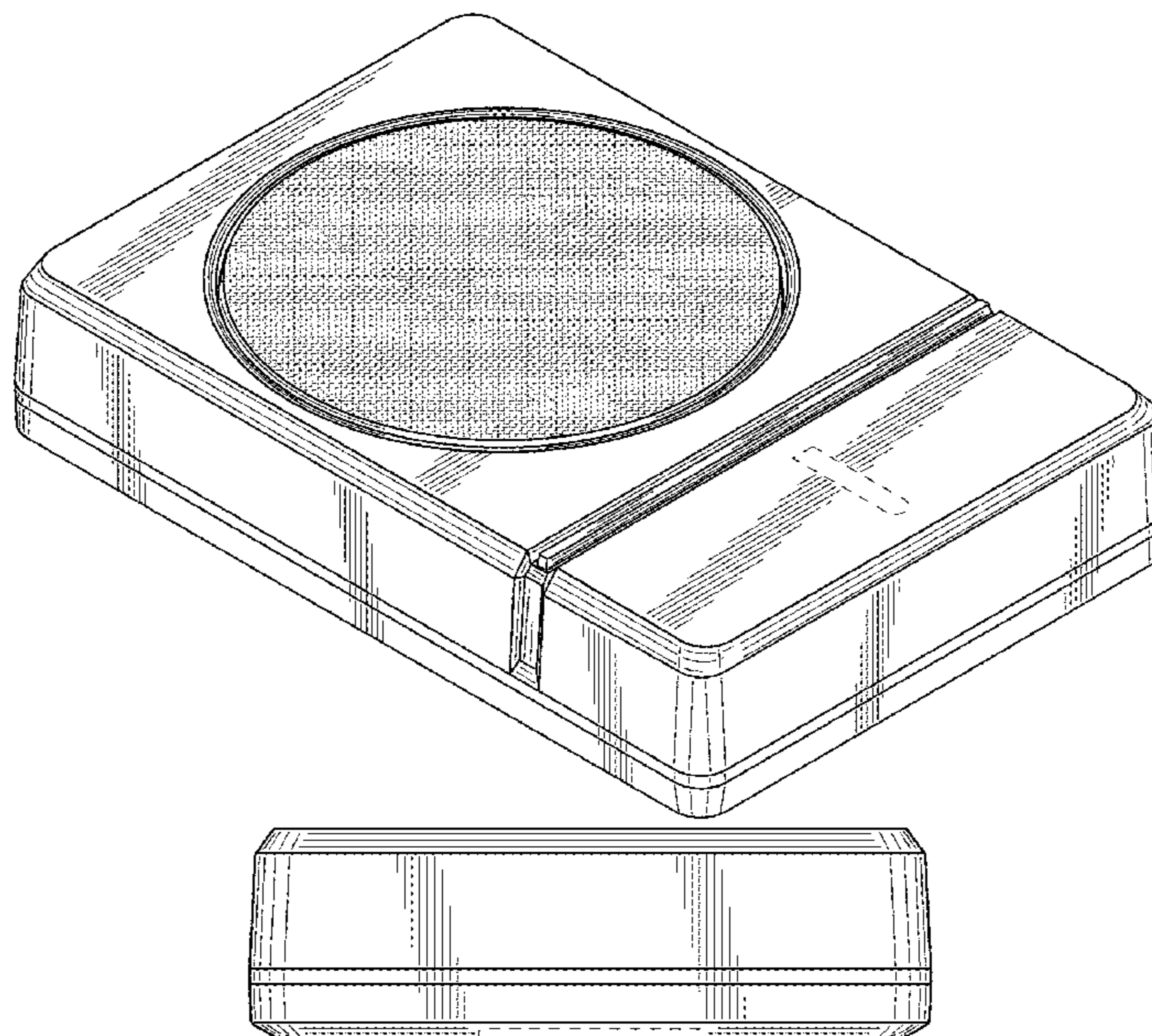


FIG. 1

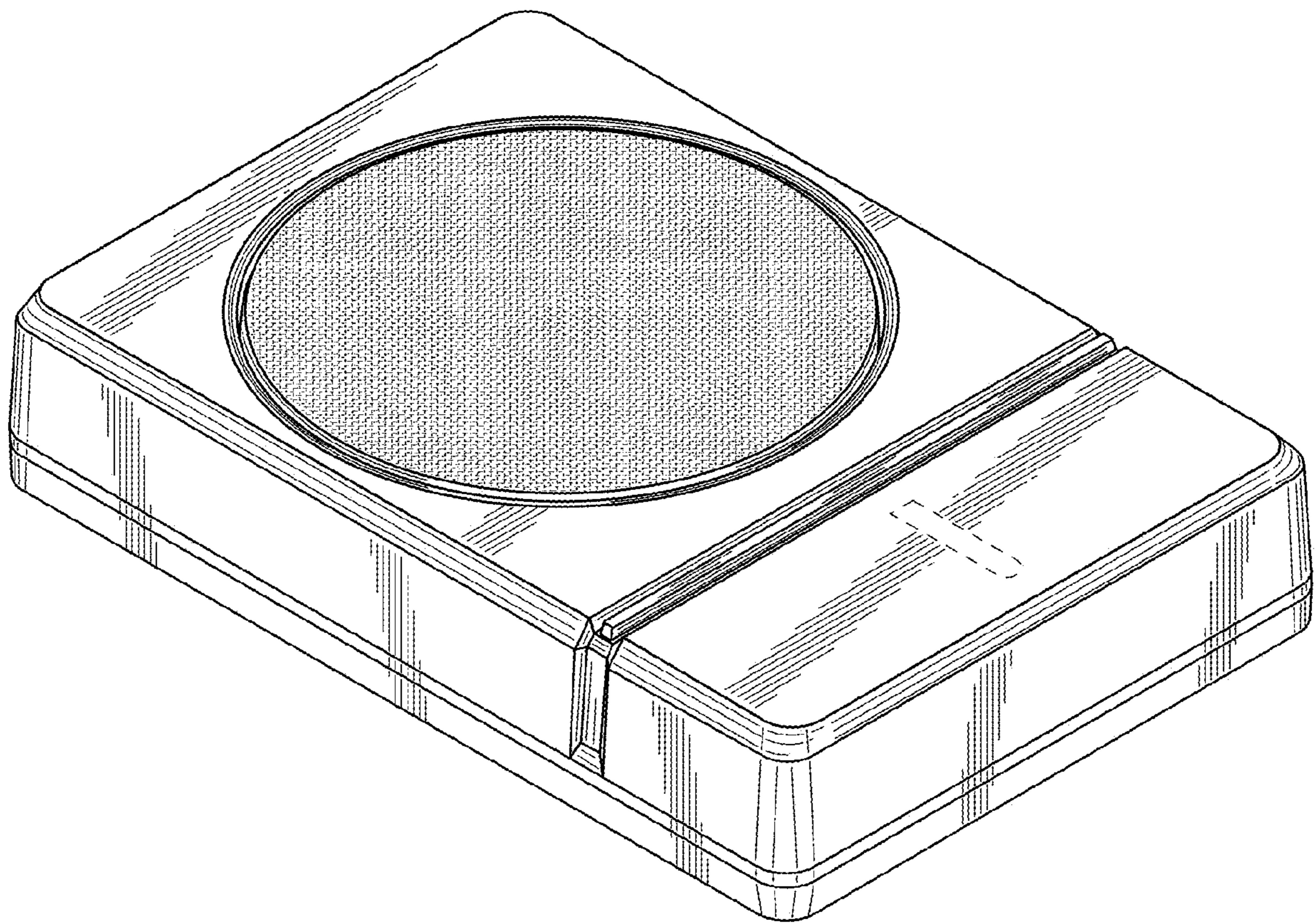


FIG. 2

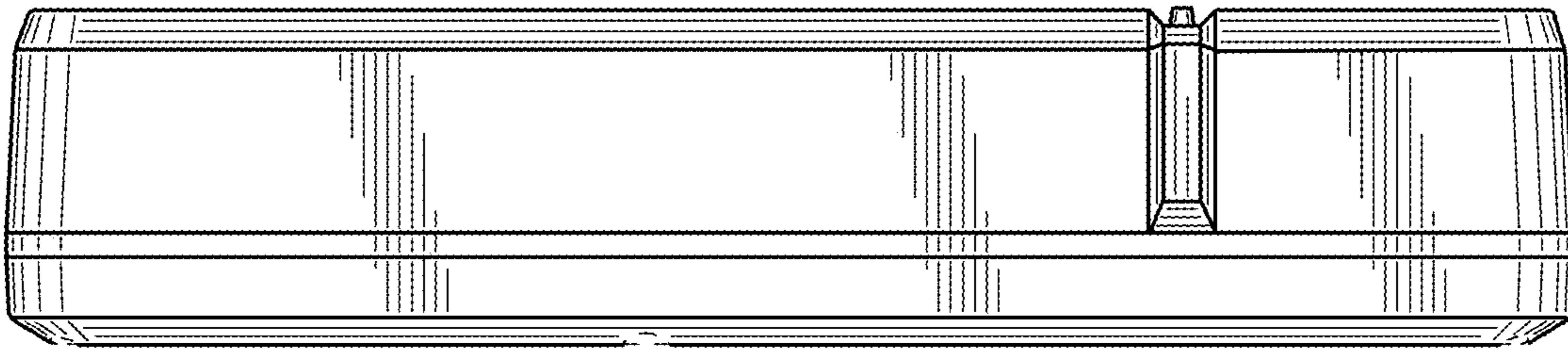


FIG. 3

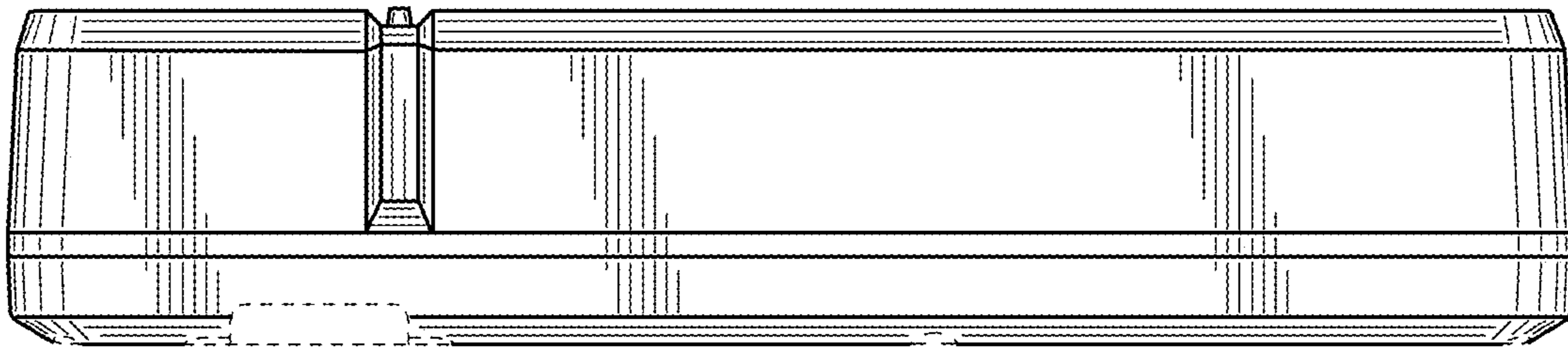


FIG. 4

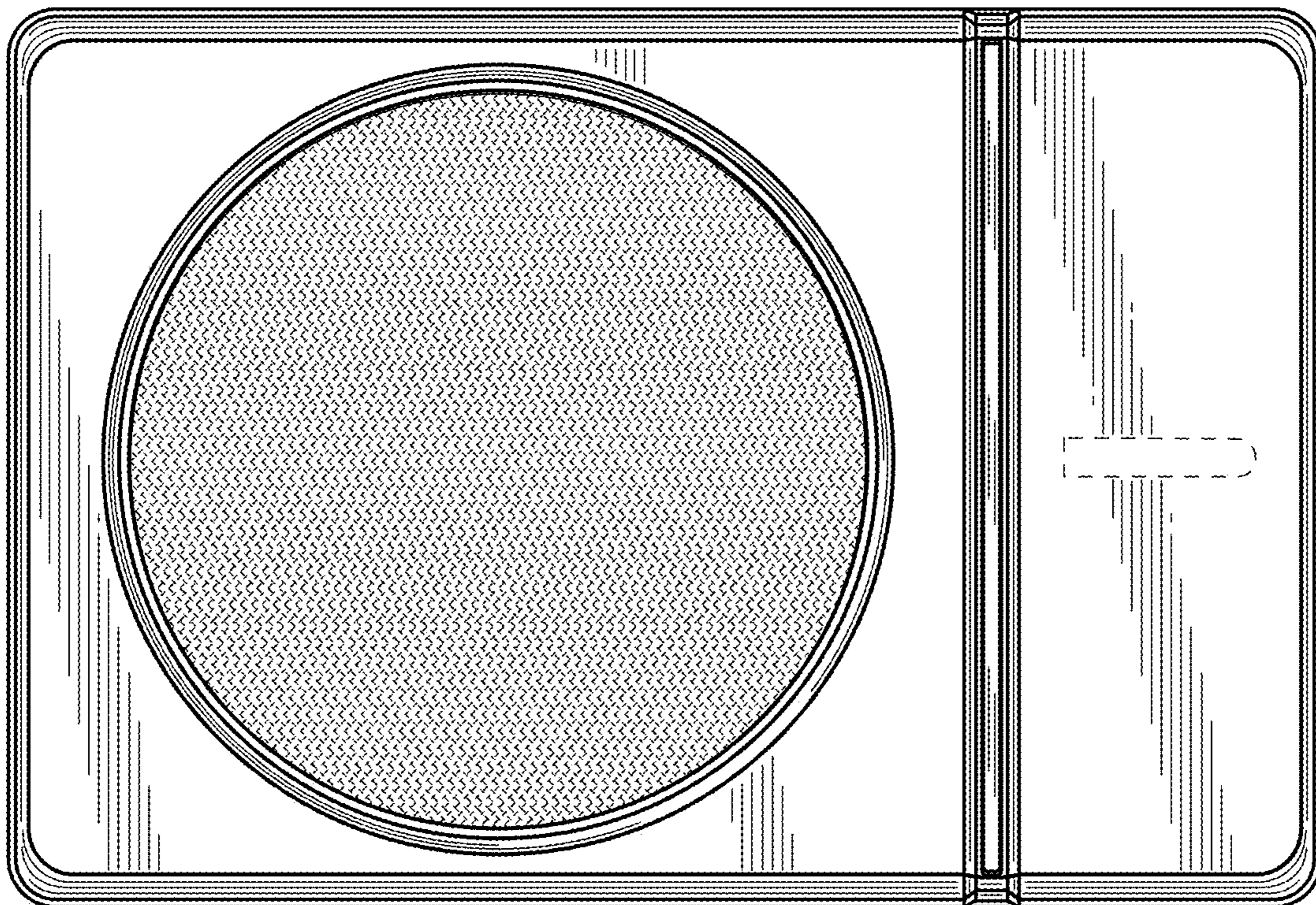


FIG. 5

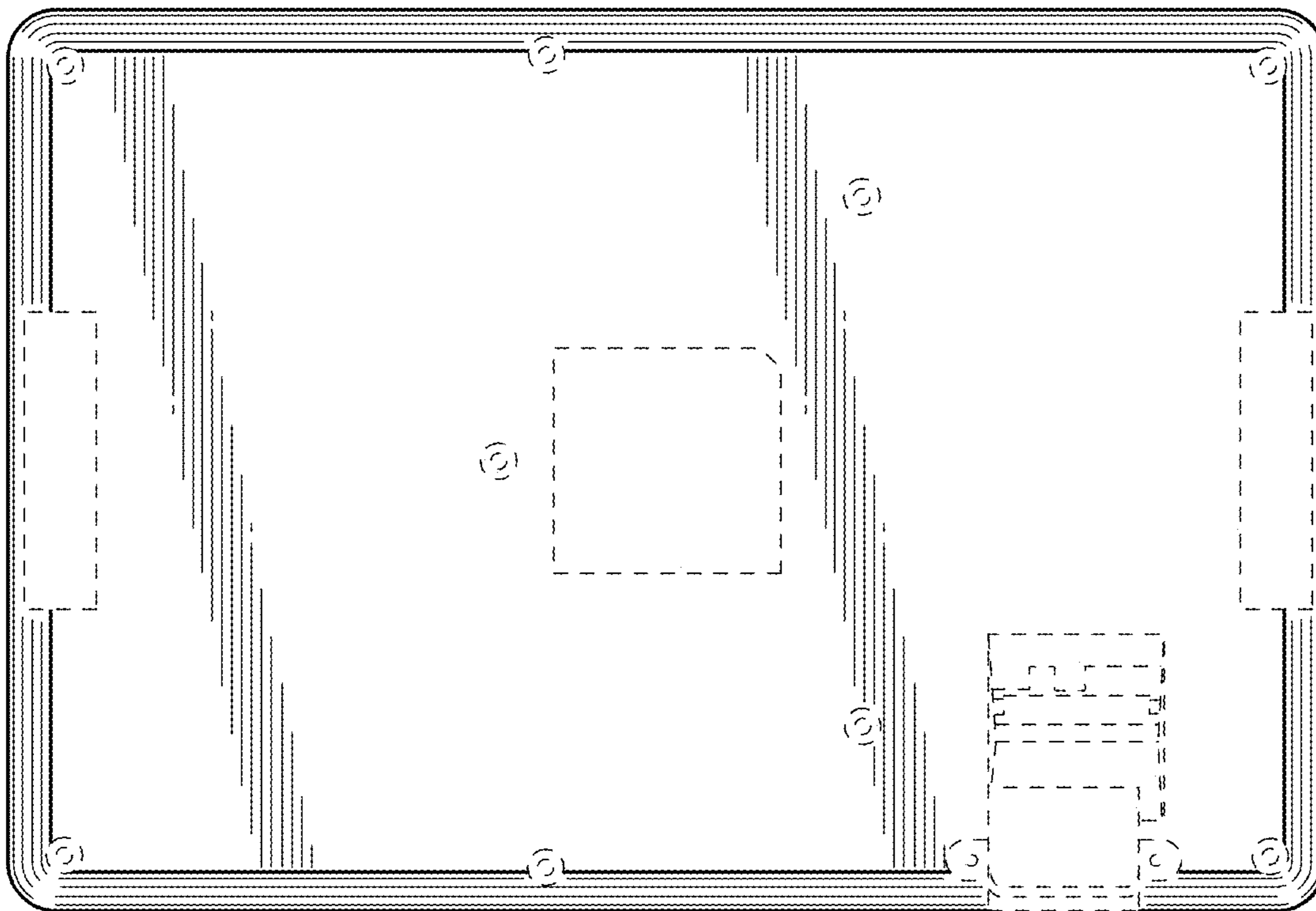


FIG. 6

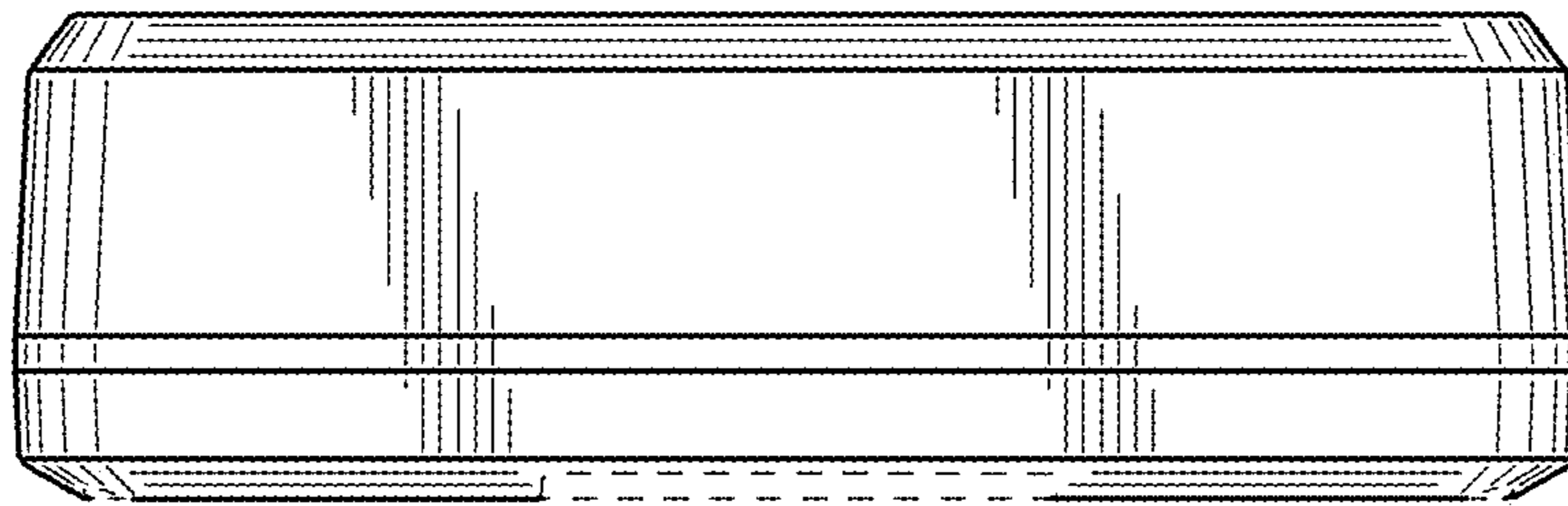


FIG. 7

