



US00D875073S

(12) **United States Design Patent**  
**Pedersen**

(10) **Patent No.:** **US D875,073 S**

(45) **Date of Patent:** **\*\* Feb. 11, 2020**

(54) **HEADSET**

(71) Applicant: **GN Audio A/S**, Ballerup (DK)

(72) Inventor: **Rasmus Trudslev Pedersen**,  
Copenhagen (DK)

(73) Assignee: **GN Audio A/S** (DK)

(\*\*) Term: **15 Years**

(21) Appl. No.: **29/655,595**

(22) Filed: **Jul. 5, 2018**

**Related U.S. Application Data**

(62) Division of application No. 29/598,987, filed on Mar. 30, 2017, now Pat. No. Des. 842,267.

(51) **LOC (12) Cl.** ..... **14-01**

(52) **U.S. Cl.**  
USPC ..... **D14/206**; D14/226

(58) **Field of Classification Search**  
USPC ..... D14/206, 226; D29/112; 2/209;  
181/129, 130, 135; 379/430, 431;  
381/380, 381, 374; 455/90.3, 575.1,  
455/569.1

CPC .... H04R 25/00; H04R 1/1066; H04R 1/1016;  
H04R 5/033; H04R 5/0335

See application file for complete search history.

(56) **References Cited**

**U.S. PATENT DOCUMENTS**

1,560,718 A	11/1925	Nowosielski	
D246,242 S	11/1977	Bellini	
D246,519 S	11/1977	Kato	
D255,352 S *	6/1980	Besasio	..... D14/205
4,538,034 A	8/1985	French	
D291,198 S	8/1987	Bellini	
D318,053 S	7/1991	Ludeke	
D328,074 S	7/1992	Yamazaki	
D337,116 S	7/1993	Hattori	
D340,033 S	10/1993	Okumura	

D345,163 S	3/1994	Yamatogi
D346,802 S	5/1994	Sacherman
5,369,857 A	12/1994	Sacherman
5,406,037 A	4/1995	Nageno
5,640,458 A	6/1997	Nishiguchi

(Continued)

**FOREIGN PATENT DOCUMENTS**

EM 004367852-0002 \* 9/2017

*Primary Examiner* — Paula Allen Greene

(74) *Attorney, Agent, or Firm* — Hamre, Schumann,  
Mueller & Larson, P.C.

(57) **CLAIM**

The ornamental design for a headset, as shown and described.

**DESCRIPTION**

FIG. 1 is a perspective view of a first embodiment of a headset.

FIG. 2 is another perspective view of FIG. 1 thereof.

FIG. 3 is a front planar view of FIG. 1 thereof.

FIG. 4 is a back planar view of FIG. 1 thereof.

FIG. 5 is a left side planar view of FIG. 1 thereof.

FIG. 6 is a right side planar view of FIG. 1 thereof.

FIG. 7 is a bottom planar view of FIG. 1 thereof.

FIG. 8 is a top planar view of FIG. 1 thereof.

FIG. 9 is a perspective view of a second embodiment of a headset;

FIG. 10 is another perspective view of FIG. 9 thereof;

FIG. 11 is a front view of FIG. 9 thereof;

FIG. 12 is a back view of FIG. 9 thereof;

FIG. 13 is a left side view of FIG. 9 thereof;

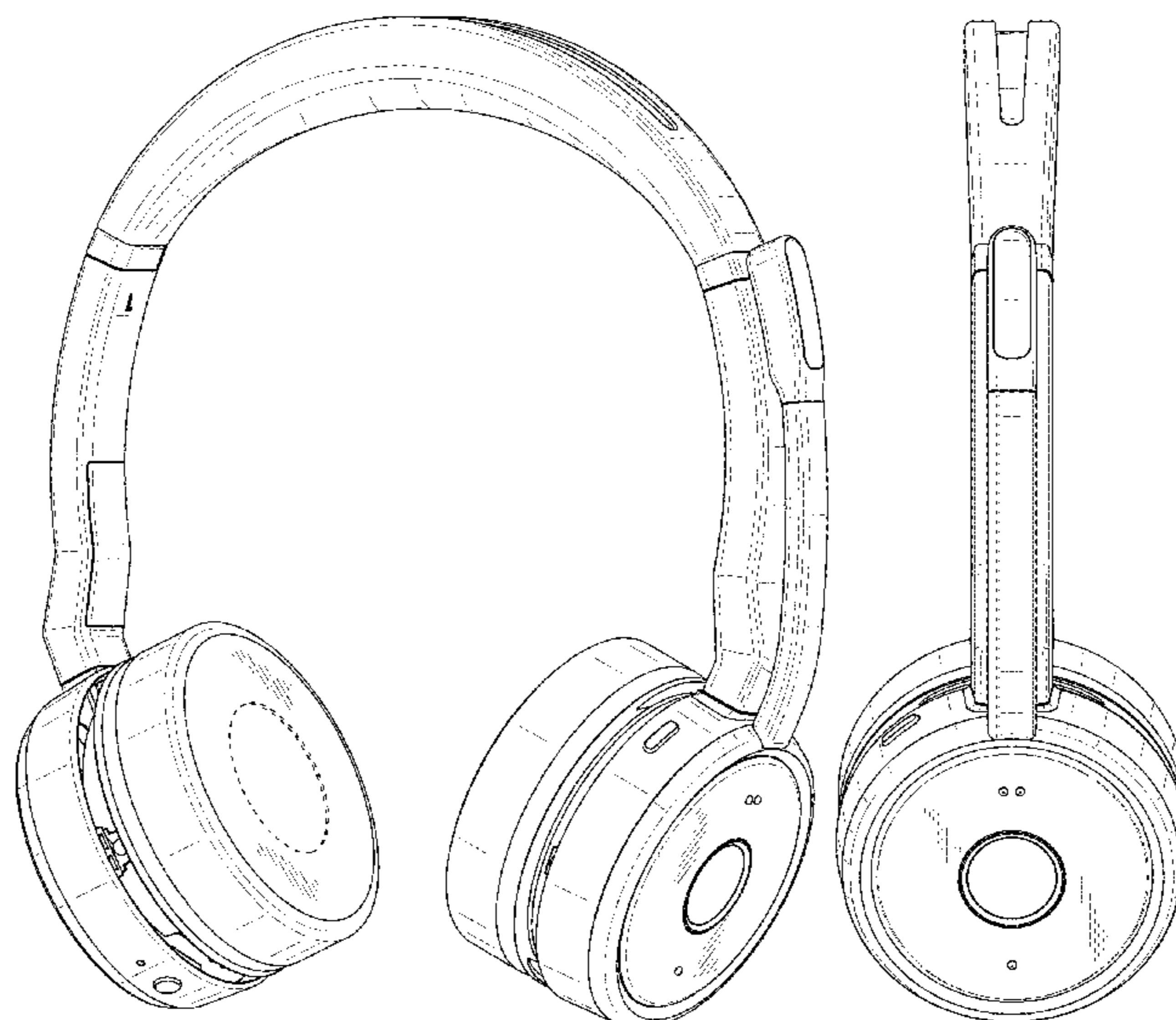
FIG. 14 is a right side view of FIG. 9 thereof;

FIG. 15 is a bottom view of FIG. 9 thereof; and,

FIG. 16 is a top view of FIG. 9 thereof.

The broken lines depict environment that forms no part of the claimed design.

**1 Claim, 12 Drawing Sheets**



(56)

References Cited

U.S. PATENT DOCUMENTS

5,708,725 A 1/1998 Ito  
 5,793,878 A 8/1998 Chang  
 D410,466 S 6/1999 Mouri  
 D420,356 S 2/2000 Suzuki  
 D435,249 S 12/2000 Yasutomi  
 D453,015 S 1/2002 Yuyama  
 D458,597 S 6/2002 Davies  
 D463,857 S 10/2002 Dix  
 6,594,366 B1 7/2003 Adams  
 D482,019 S 11/2003 Petersen  
 D484,485 S 12/2003 Matsuoka  
 6,695,477 B1 2/2004 Nishiguchi  
 D488,146 S 4/2004 Minto  
 D494,154 S 8/2004 Polito  
 D504,414 S 4/2005 Yoshida  
 D504,419 S \* 4/2005 Bey ..... D14/223  
 6,980,165 B2 12/2005 Yuasa  
 D514,086 S 1/2006 Skulley  
 D530,702 S 10/2006 Pritchard  
 D531,165 S 10/2006 Rath  
 D540,303 S 4/2007 Rausch  
 D541,256 S 4/2007 Rausch  
 D542,774 S 5/2007 Rausch  
 D549,688 S \* 8/2007 Suzuki ..... D14/205  
 D563,382 S 3/2008 Wikel  
 D567,215 S 4/2008 Lee  
 7,356,362 B2 4/2008 Chang  
 7,388,960 B2 6/2008 Kuo  
 D582,890 S 12/2008 Koza  
 D588,098 S 3/2009 Kurihara  
 D591,263 S 4/2009 Shimizu  
 D592,640 S 5/2009 Tkachuk  
 D593,995 S 6/2009 Shimizu  
 D602,001 S 10/2009 Bentley  
 D603,370 S 11/2009 Suzuki  
 D603,371 S 11/2009 Boateng  
 D604,266 S 11/2009 Milde  
 D617,769 S 6/2010 Birger  
 D625,705 S 10/2010 Ohori  
 D632,668 S 2/2011 Brunner  
 D637,176 S 5/2011 Brunner

D639,776 S 6/2011 Arimoto  
 D641,003 S 7/2011 Alden  
 D643,405 S \* 8/2011 Rath ..... D14/206  
 D648,318 S 11/2011 Huang  
 D648,330 S \* 11/2011 Fischer ..... D14/226  
 D652,406 S 1/2012 Lee  
 D654,472 S 2/2012 Fischer  
 D657,344 S 4/2012 Brunner  
 D673,520 S 1/2013 Tan  
 D678,860 S 3/2013 Hagelin  
 D692,410 S 10/2013 Brunner  
 8,559,665 B2 10/2013 Schmidt  
 D709,860 S 7/2014 Brunner et al.  
 D711,348 S 8/2014 Yang  
 D716,258 S 10/2014 Awiszus  
 D716,259 S 10/2014 Awiszus  
 D716,762 S 11/2014 Greve  
 D719,136 S \* 12/2014 Schaal ..... D14/205  
 8,908,899 B1 12/2014 Yang  
 D725,074 S 3/2015 Boeckel  
 D728,512 S 5/2015 Nakagawa  
 D732,503 S 6/2015 Brunner  
 D739,842 S 9/2015 Birger  
 D750,042 S 2/2016 Poulsen  
 D763,228 S 8/2016 Carr  
 D763,820 S 8/2016 Mchatet  
 D764,437 S 8/2016 Yang  
 D769,212 S 10/2016 Larsen et al.  
 D769,221 S 10/2016 Pedersen  
 D782,999 S 4/2017 Spio  
 D806,675 S 1/2018 Fuglsang  
 D806,676 S 1/2018 Fuglsang  
 9,980,037 B2 \* 5/2018 Miwa ..... H04R 1/2857  
 9,980,048 B2 \* 5/2018 Henderson ..... H04R 5/0335  
 10,028,049 B2 \* 7/2018 Inoue ..... H04R 1/1041  
 10,178,463 B2 \* 1/2019 Smiechowski ..... H04R 1/1066  
 D842,267 S \* 3/2019 Pedersen ..... D14/205  
 D847,117 S \* 4/2019 Summerson ..... D14/206  
 10,317,683 B2 \* 6/2019 Yang ..... H04R 5/0335  
 2011/0194721 A1 8/2011 Schmidt  
 2011/0206216 A1 8/2011 Brunner  
 2016/0277828 A1 9/2016 Oh  
 2017/0019728 A1 1/2017 Cochran

\* cited by examiner



FIG. 1

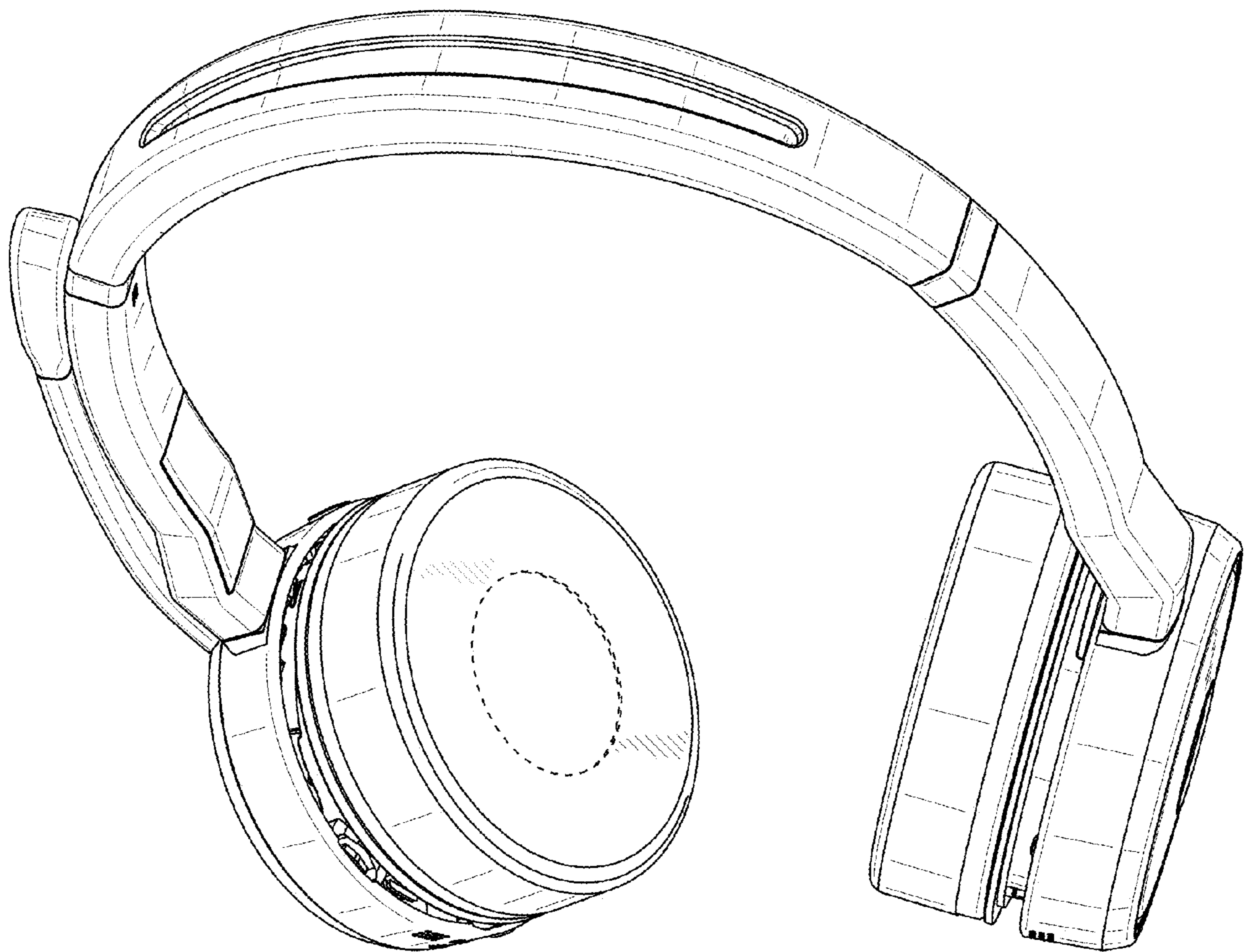


FIG. 2



FIG. 3



FIG. 4

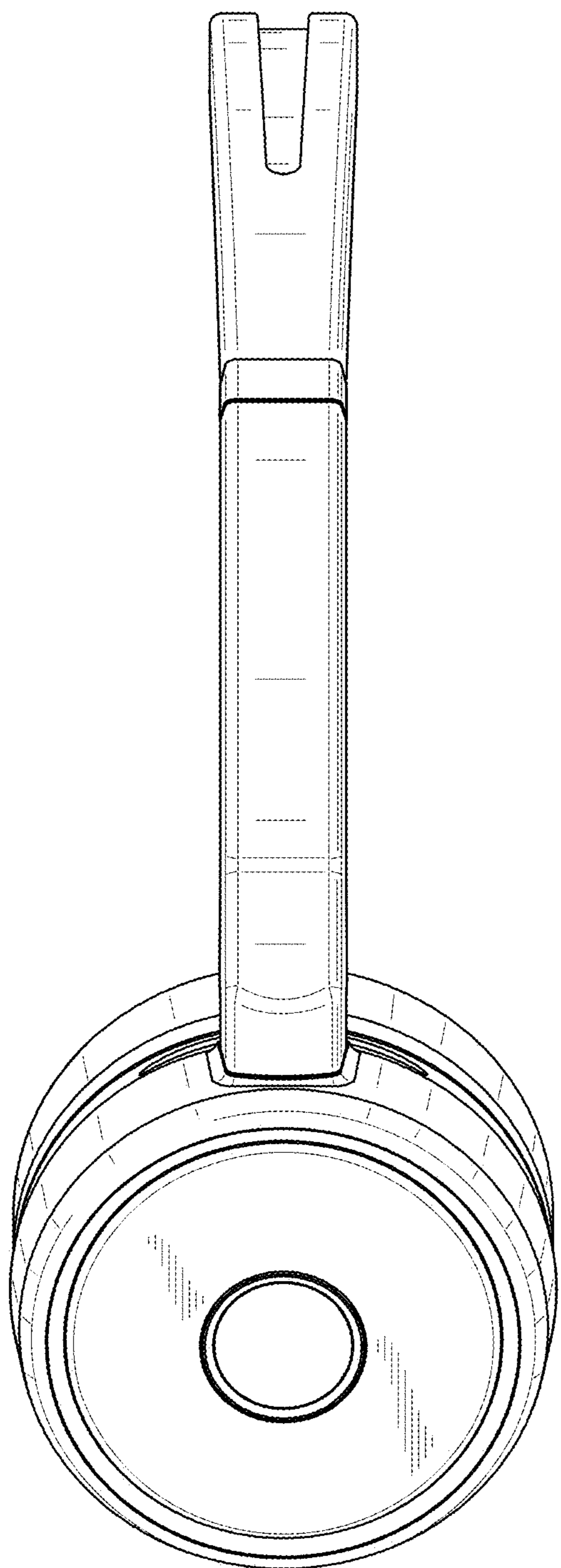


FIG. 5

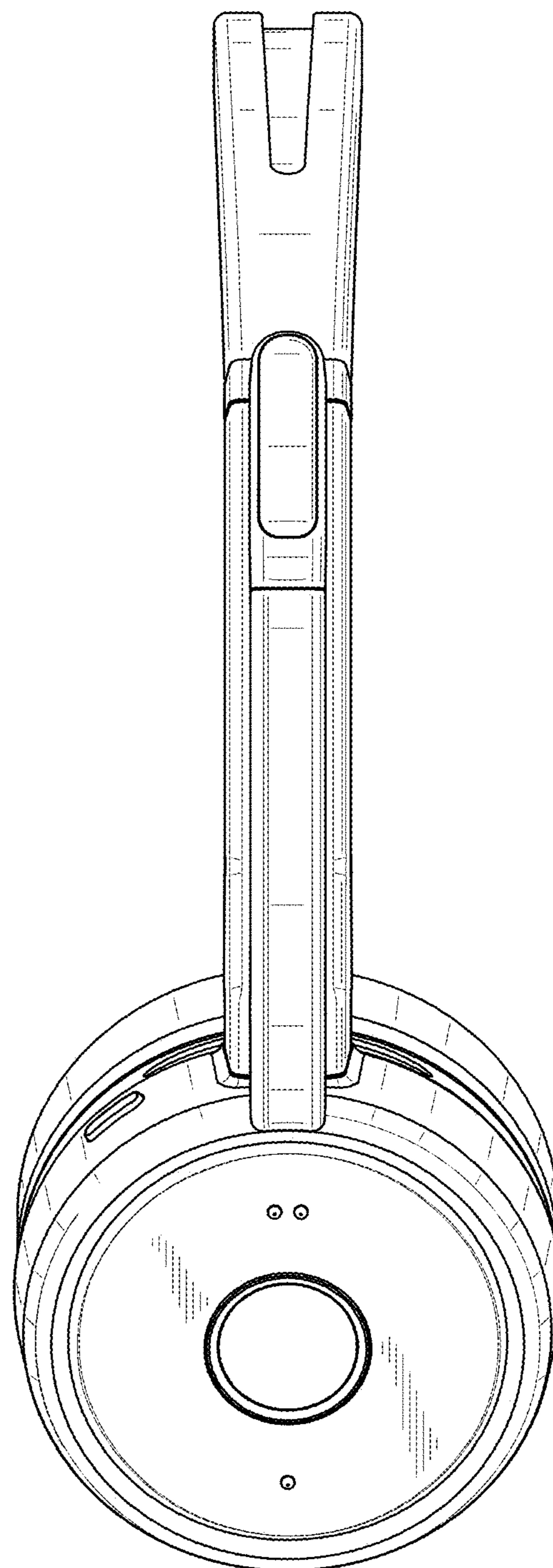


FIG. 6

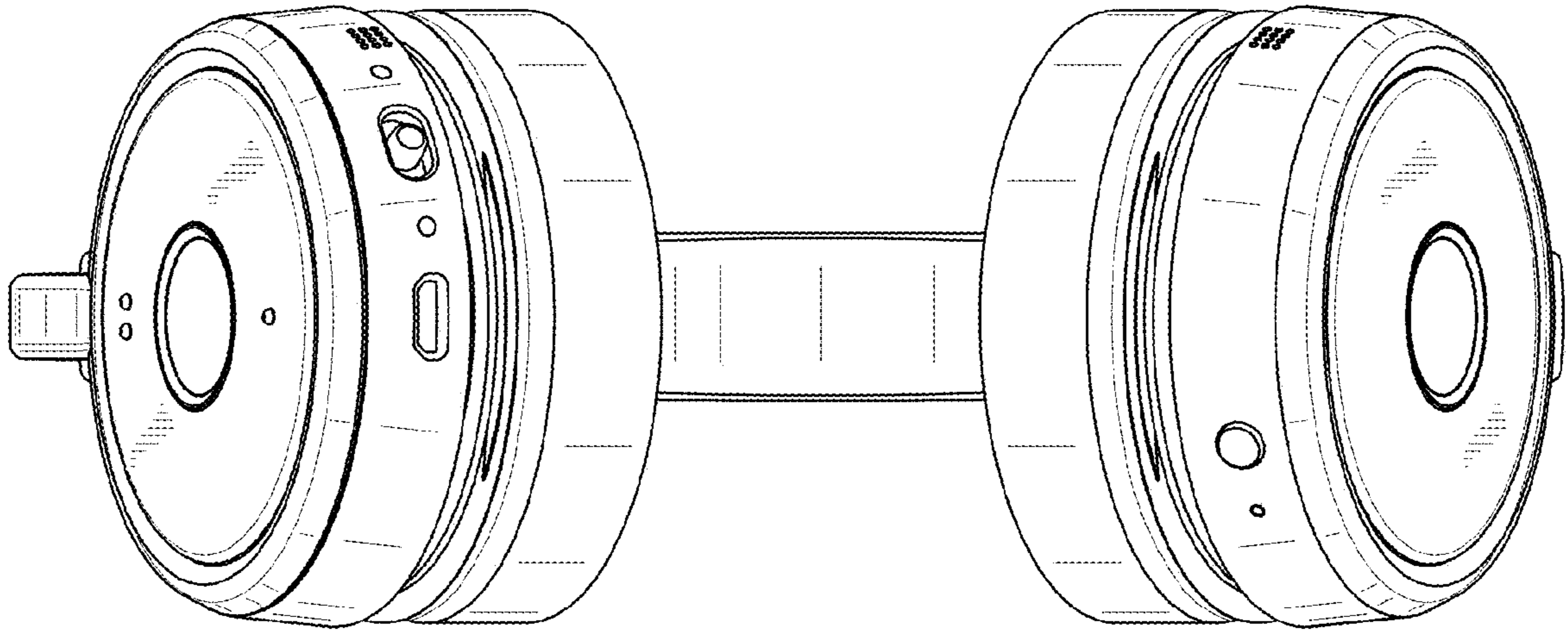


FIG. 7

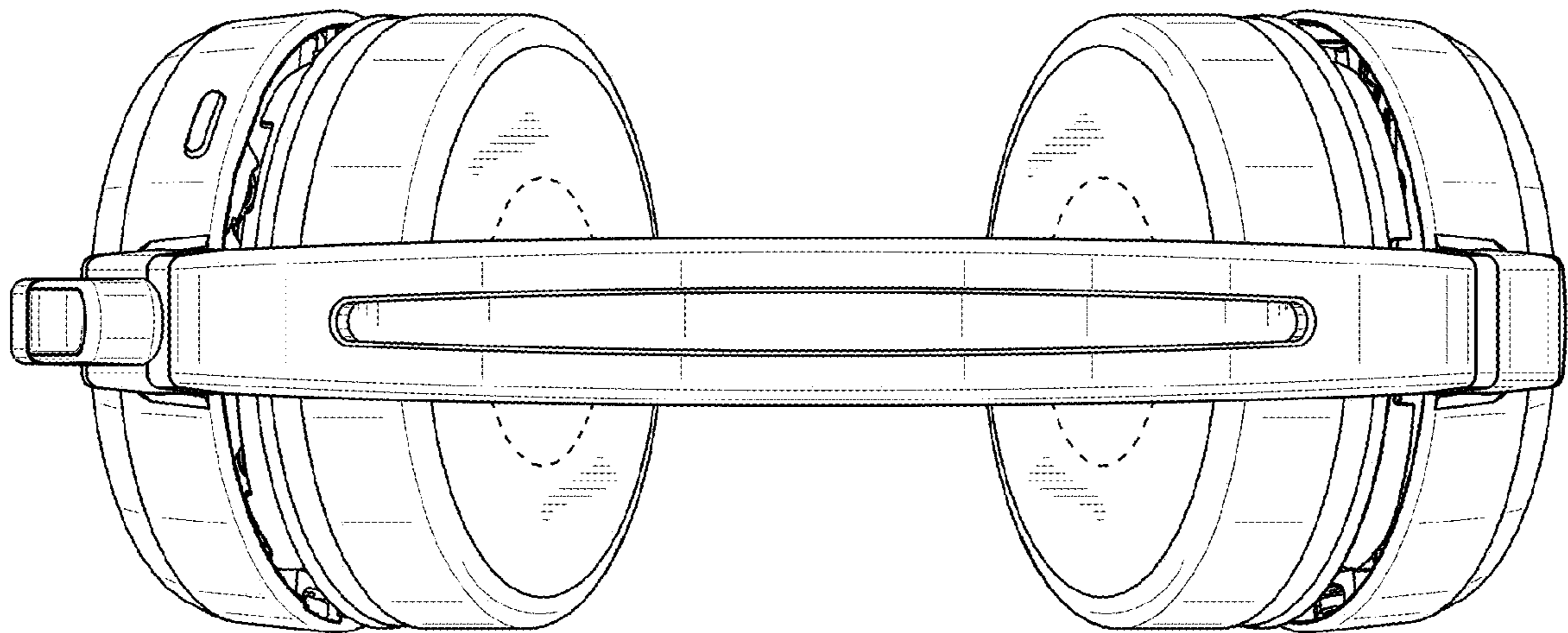


FIG. 8





FIG. 9

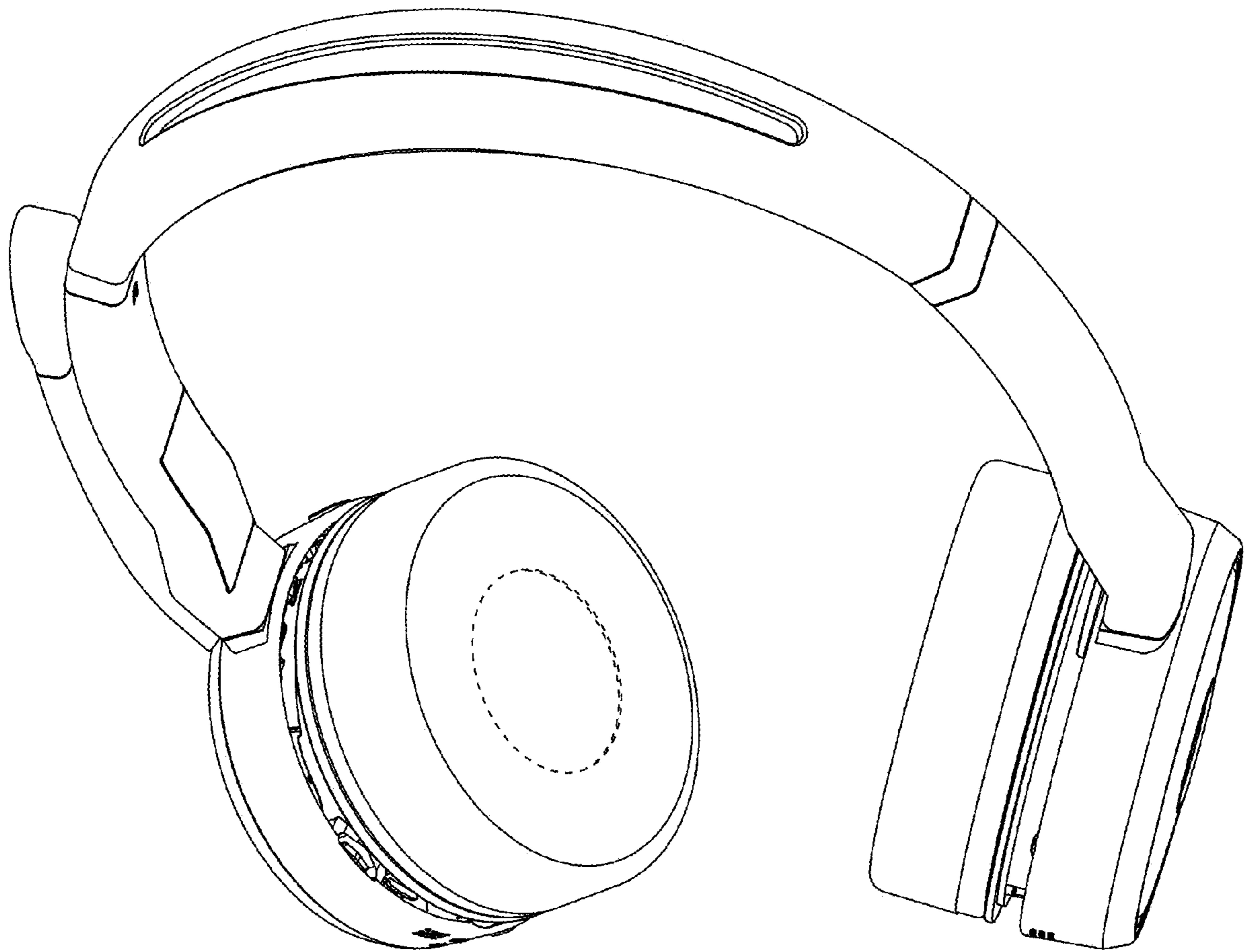


FIG. 10



FIG. 11

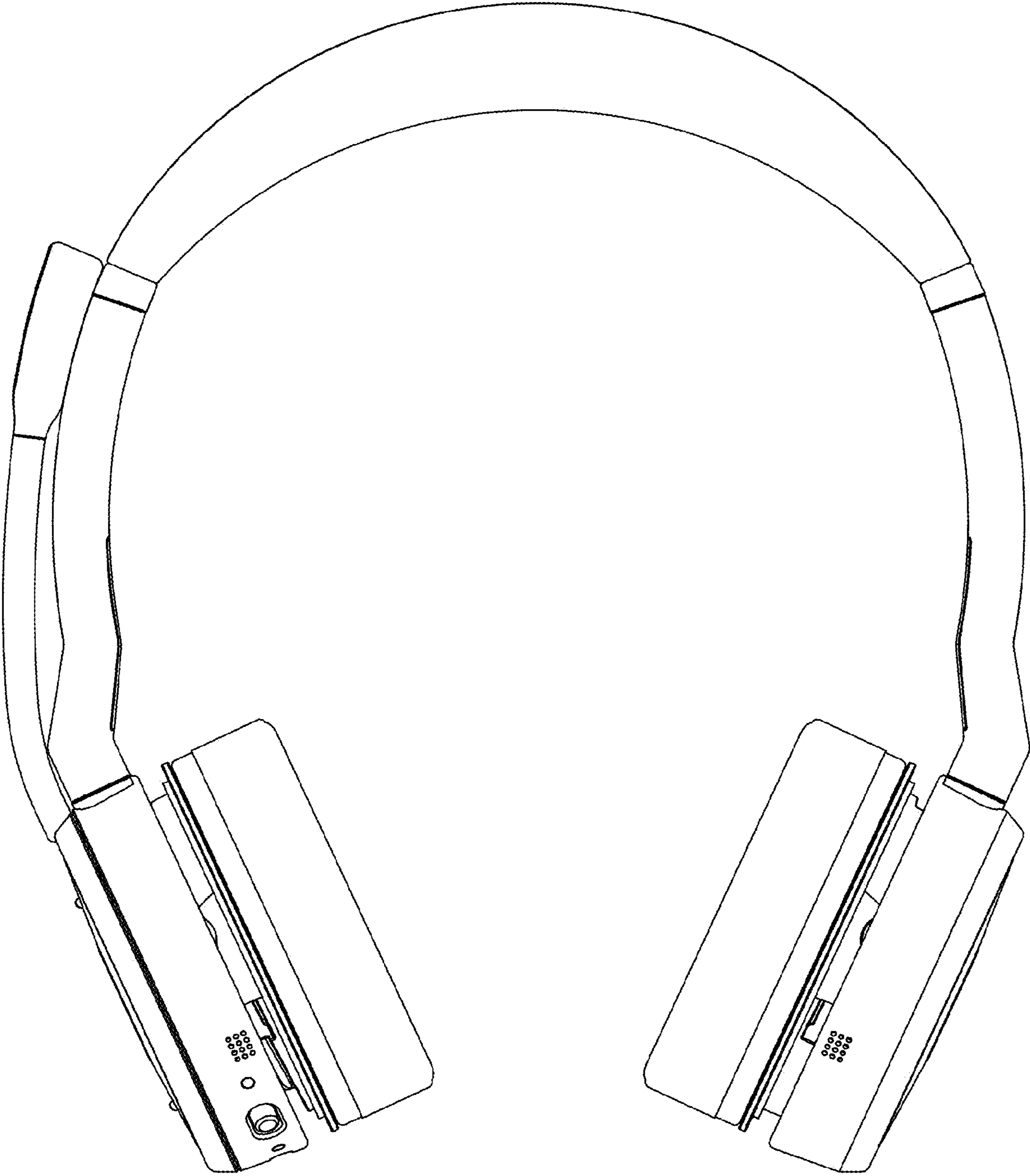


FIG. 12

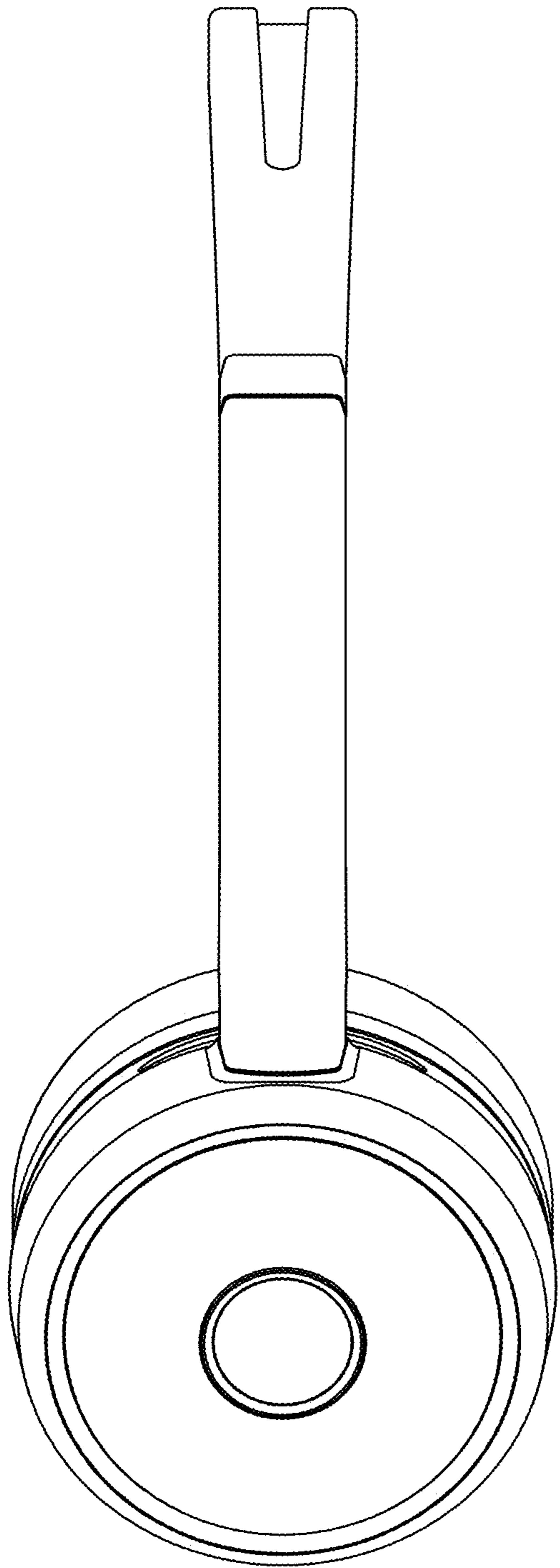


FIG. 13

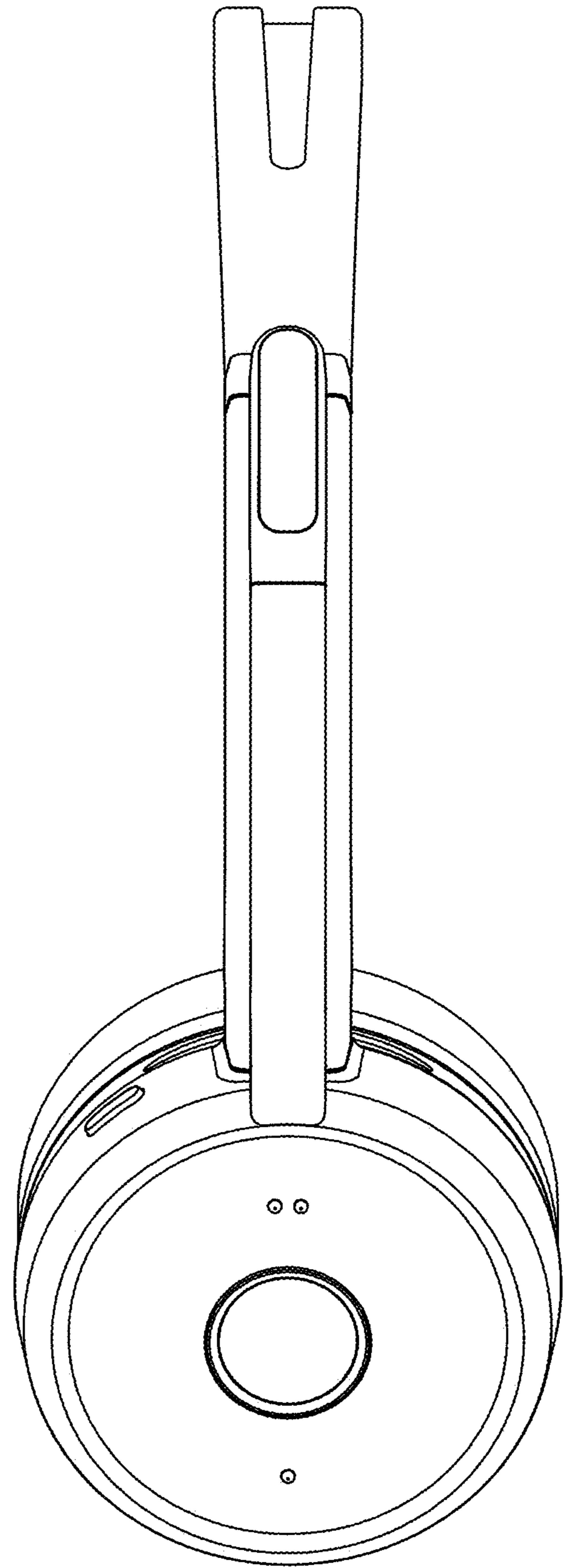


FIG. 14

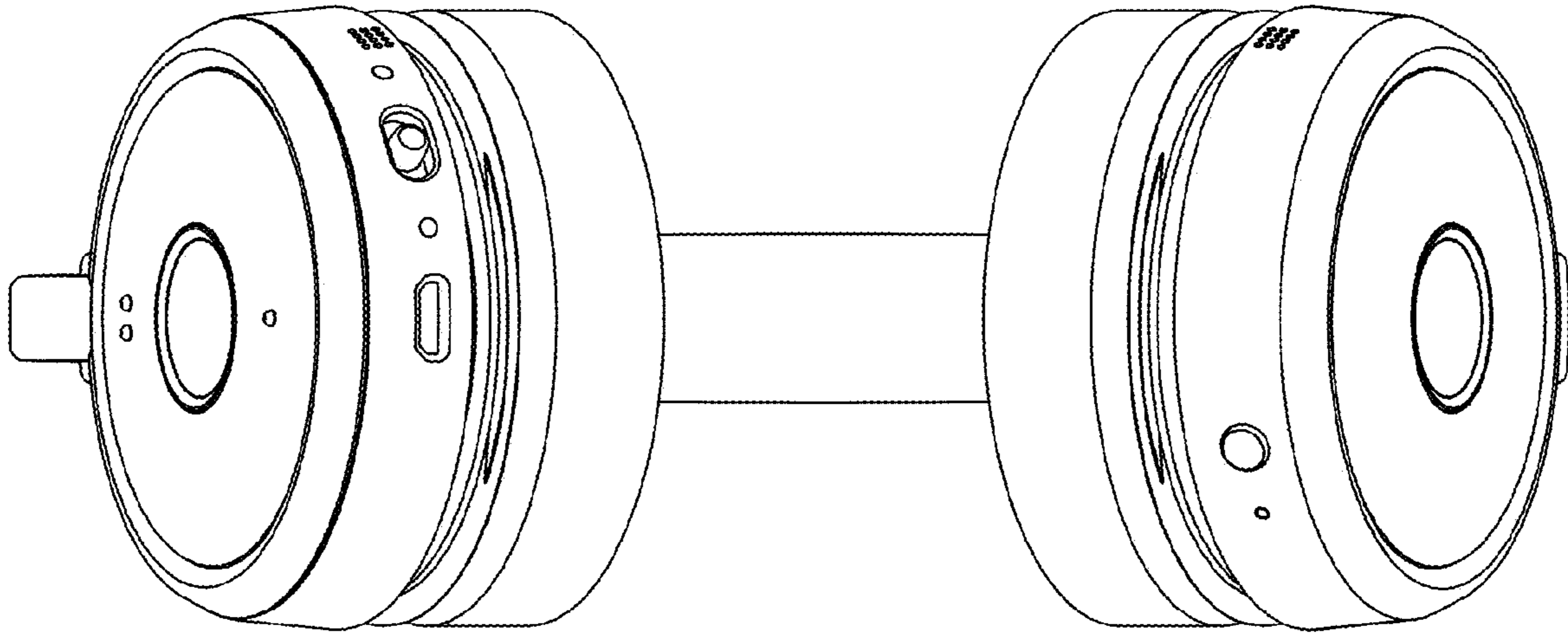


FIG. 15

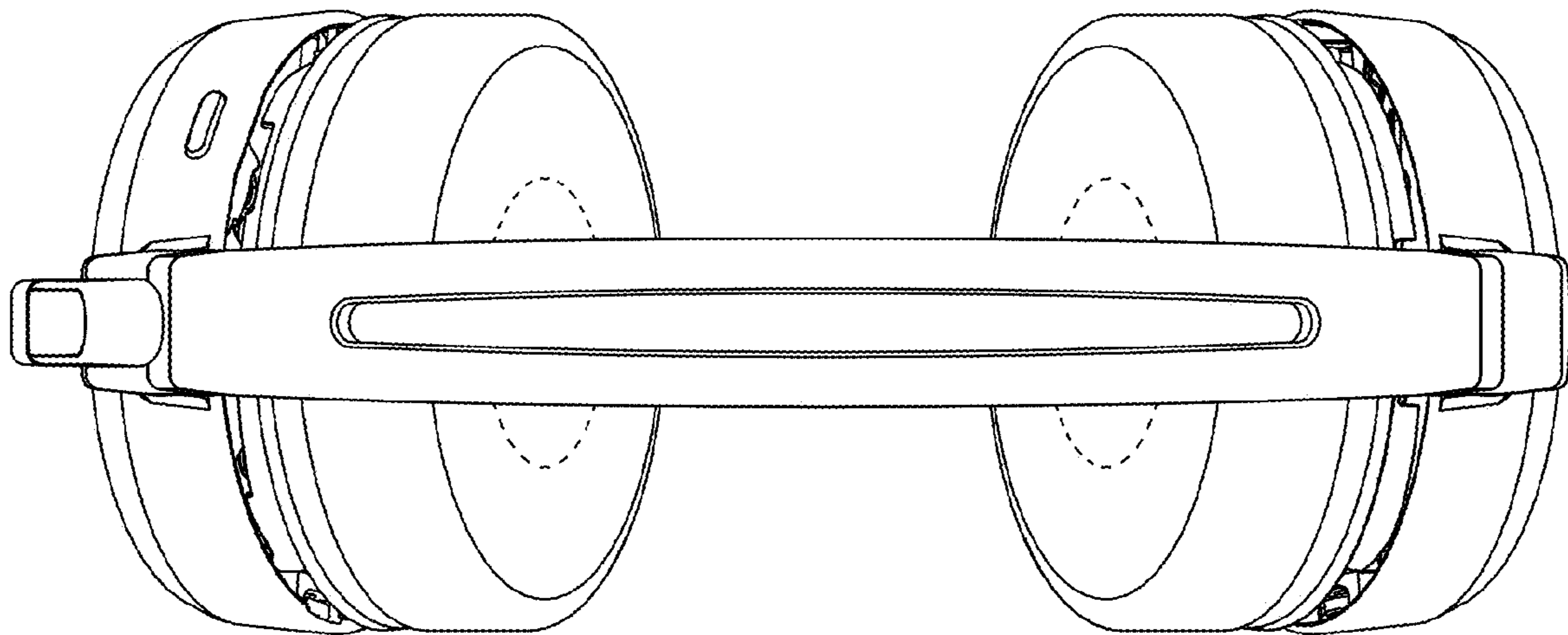


FIG. 16