



US00D875069S

(12) **United States Design Patent**  
**Peralta et al.**

(10) **Patent No.:** **US D875,069 S**

(45) **Date of Patent:** **\*\* Feb. 11, 2020**

(54) **PAIR OF EARPHONES**

(71) Applicant: **Kingston Digital, Inc.**, Fountain Valley, CA (US)

(72) Inventors: **Sean Peralta**, Fountain Valley, CA (US); **Baron King Lee**, Fountain Valley, CA (US); **Guan Hua Tzeng**, Hsinchu (TW); **Yaocheng He**, Hsinchu (TW)

(73) Assignee: **Kingston Digital, Inc.**, Fountain Valley, CA (US)

(\*\*) Term: **15 Years**

(21) Appl. No.: **29/644,785**

(22) Filed: **Apr. 20, 2018**

(51) **LOC (12) Cl.** ..... **14-01**

(52) **U.S. Cl.**  
USPC ..... **D14/205**

(58) **Field of Classification Search**  
USPC ..... D14/205, 223, 218; D24/174, 106; 181/129, 130, 135; 379/430, 431; 381/380, 381; 455/90.3, 575.1, 569.1  
CPC .... H04R 1/1016; H04R 1/1066; H04R 1/105; H04R 5/033; H04R 5/0335; H04R 1/10; H04R 25/00; H04R 25/02; H04R 1/1041; H04R 1/1091  
See application file for complete search history.

(56) **References Cited**

**U.S. PATENT DOCUMENTS**

4,646,872 A \* 3/1987 Kamon ..... H04R 1/225 181/129  
D473,217 S \* 4/2003 Rivera ..... D14/223  
D606,980 S \* 12/2009 Bradford ..... D14/218  
D652,817 S \* 1/2012 Lee ..... D14/205  
D706,643 S \* 6/2014 Akana ..... D9/432  
D707,206 S \* 6/2014 Akana ..... H04R 1/10 D14/223

D711,857 S \* 8/2014 Burgett ..... D14/223  
D712,279 S \* 9/2014 Akana ..... D9/721  
D717,275 S \* 11/2014 Burgett ..... D14/205  
D718,284 S \* 11/2014 Shibusawa ..... D14/223  
D718,285 S \* 11/2014 Shibusawa ..... D14/223  
D719,132 S \* 12/2014 Toelle ..... D14/205  
D728,533 S \* 5/2015 Poulsen ..... D14/223  
D731,456 S \* 6/2015 Dahlberg ..... D14/205

(Continued)

**FOREIGN PATENT DOCUMENTS**

GB 6006279 \* 1/2017  
TW D184087 S 7/2017  
TW D186810 S 11/2017

**OTHER PUBLICATIONS**

Allowance Notice to the corresponding Taiwan Patent Application rendered by the Taiwan Intellectual Property Office (TIPO) dated Jan. 24, 2019, 3 pages.

*Primary Examiner* — Paula Allen Greene

(74) *Attorney, Agent, or Firm* — Skaar Ulbrich Macari, P.A.

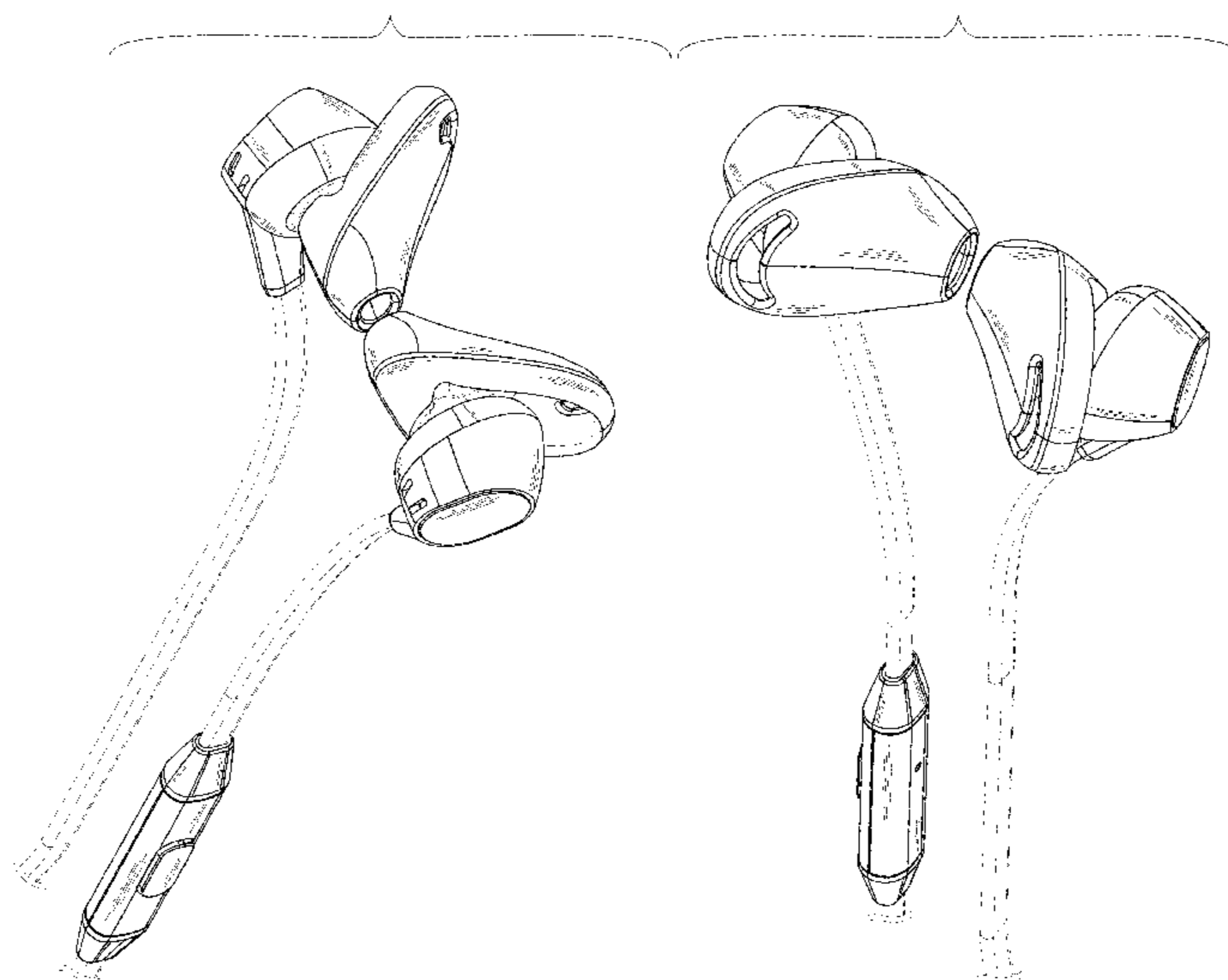
(57) **CLAIM**

The ornamental design for pair of earphones, as shown and described.

**DESCRIPTION**

FIG. 1 is a perspective view of a pair of earphones showing the claimed design;  
FIG. 2 is another perspective view of FIG. 1;  
FIG. 3 is a front elevational view of FIG. 1;  
FIG. 4 is a rear elevational view of FIG. 1;  
FIG. 5 is a left side elevational view of FIG. 1;  
FIG. 6 is a right side elevational view of FIG. 1;  
FIG. 7 is a top plan view of FIG. 1; and,  
FIG. 8 is a bottom plan view of FIG. 1.  
The broken lines in the figures represent portions of the article which form no part of the claimed design.

**1 Claim, 6 Drawing Sheets**



(56)

## References Cited

## U.S. PATENT DOCUMENTS

D732,007 S \* 6/2015 Oksman ..... D14/223  
D732,008 S \* 6/2015 Akana ..... H04R 1/10  
D14/223  
D733,101 S \* 6/2015 Pi ..... D14/223  
D733,689 S \* 7/2015 Narita ..... D14/223  
D738,864 S \* 9/2015 Lee ..... D14/223  
D741,287 S \* 10/2015 Harata ..... D14/205  
D743,381 S \* 11/2015 Pi ..... D14/218  
D747,295 S \* 1/2016 Eastwood ..... D14/223  
D755,759 S \* 5/2016 Cai ..... D14/223  
D757,682 S \* 5/2016 Perez ..... D14/205  
D758,353 S \* 6/2016 Akana ..... D14/218  
D770,425 S \* 11/2016 Son ..... D14/205  
D780,157 S \* 2/2017 Uggla ..... D14/205  
D782,442 S \* 3/2017 Chen ..... D14/205  
D783,571 S \* 4/2017 Mizrahi ..... D14/205  
D786,216 S \* 5/2017 Silva ..... D14/205  
D793,995 S \* 8/2017 Nakagawa ..... D14/218  
D794,613 S \* 8/2017 Hayden ..... D14/223  
D801,314 S \* 10/2017 Akana ..... D14/223  
D810,047 S \* 2/2018 Tzeng ..... D14/205  
D810,720 S \* 2/2018 Lee ..... D14/205  
D818,990 S \* 5/2018 Tzeng ..... D14/205  
2009/0141923 A1 \* 6/2009 Smith ..... H04R 1/1016  
381/371  
2012/0237074 A1 \* 9/2012 Aase ..... H04R 1/1016  
381/380  
2013/0004011 A1 \* 1/2013 Hayashida ..... H04R 1/1016  
381/380  
2016/0073192 A1 \* 3/2016 Briggs ..... H04R 1/1058  
381/380  
2016/0261942 A1 \* 9/2016 Hayden ..... H04R 1/105  
2017/0094384 A1 \* 3/2017 Trainer ..... H04R 1/105

\* cited by examiner

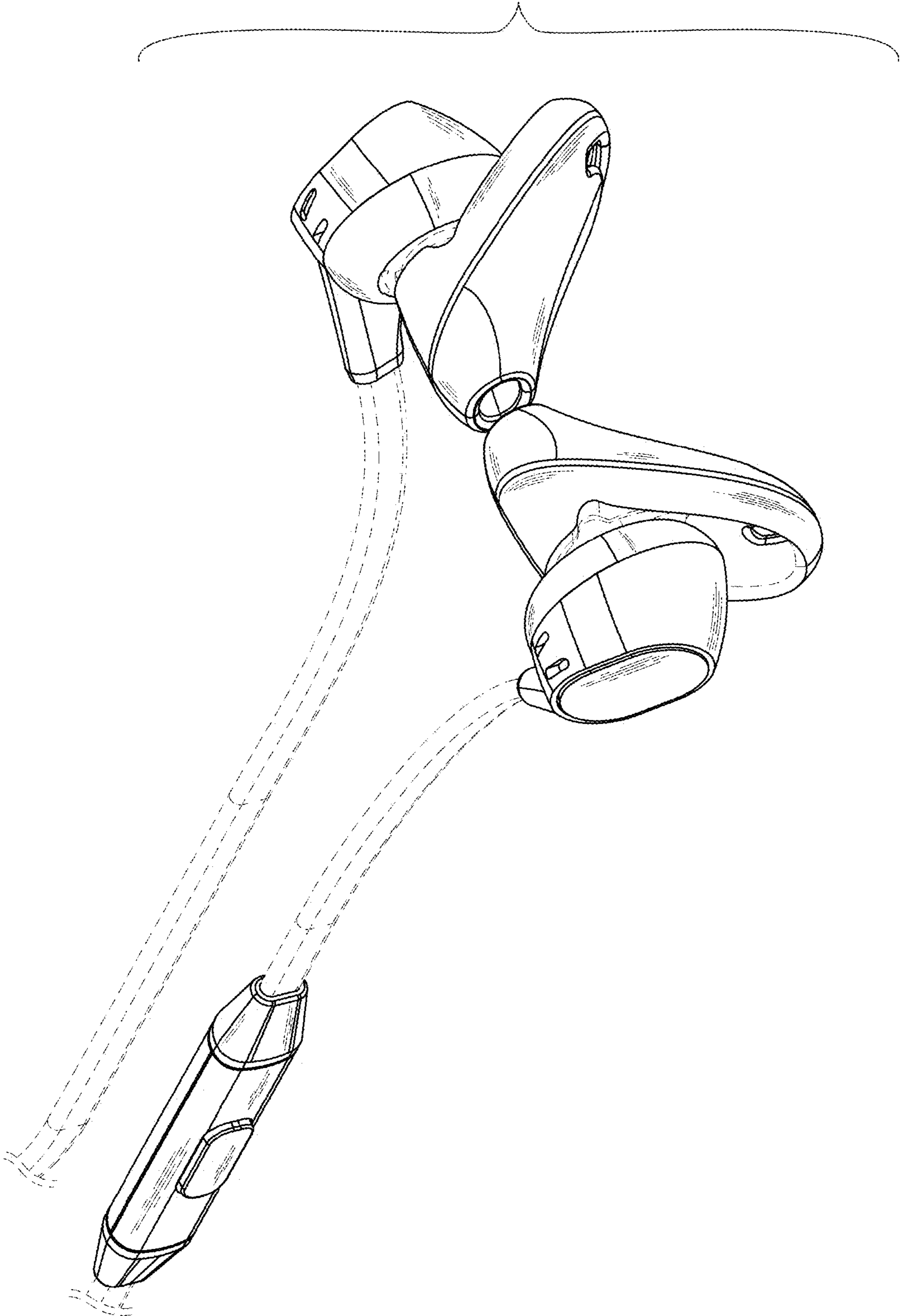


FIG. 1

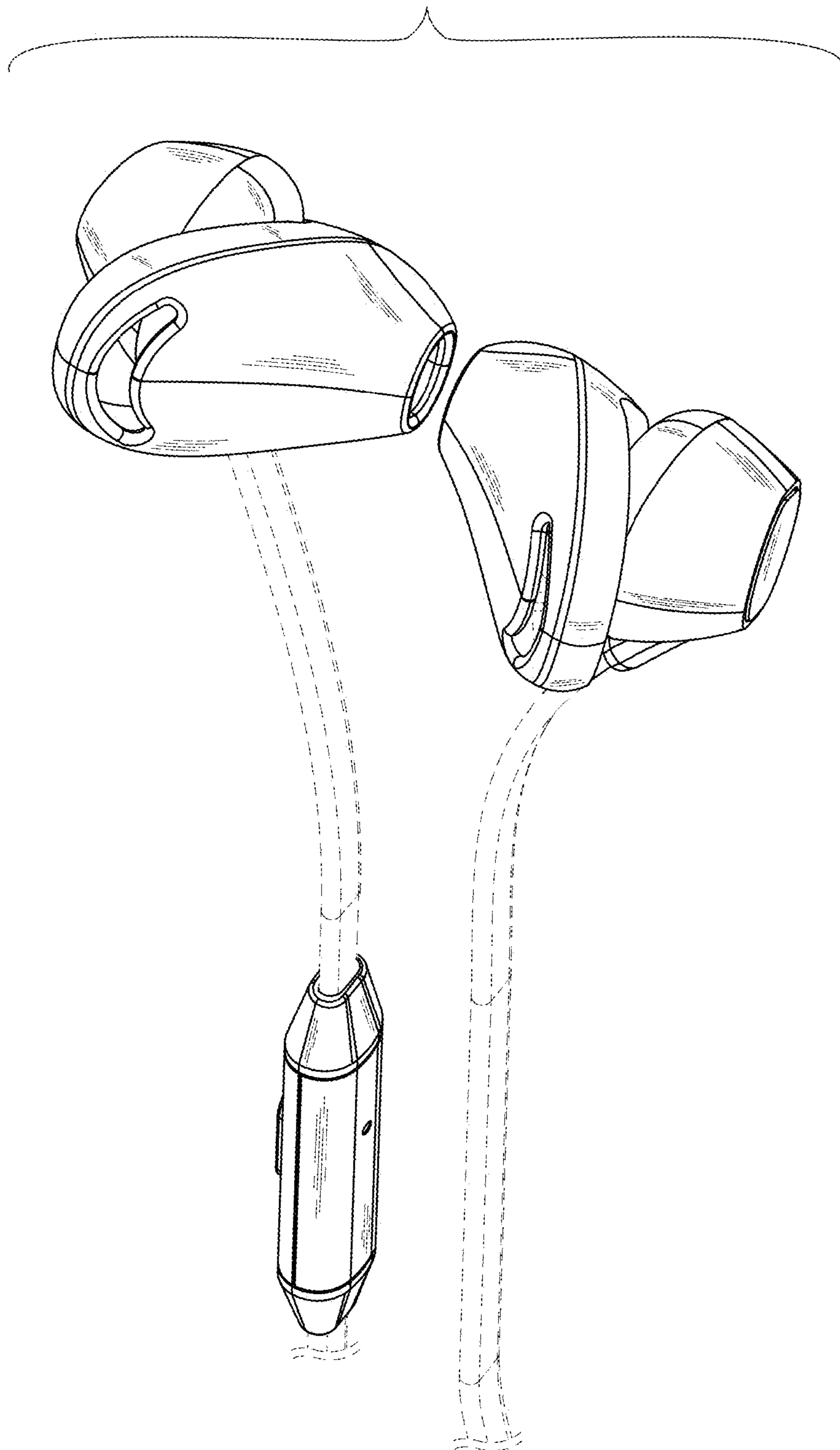


FIG. 2



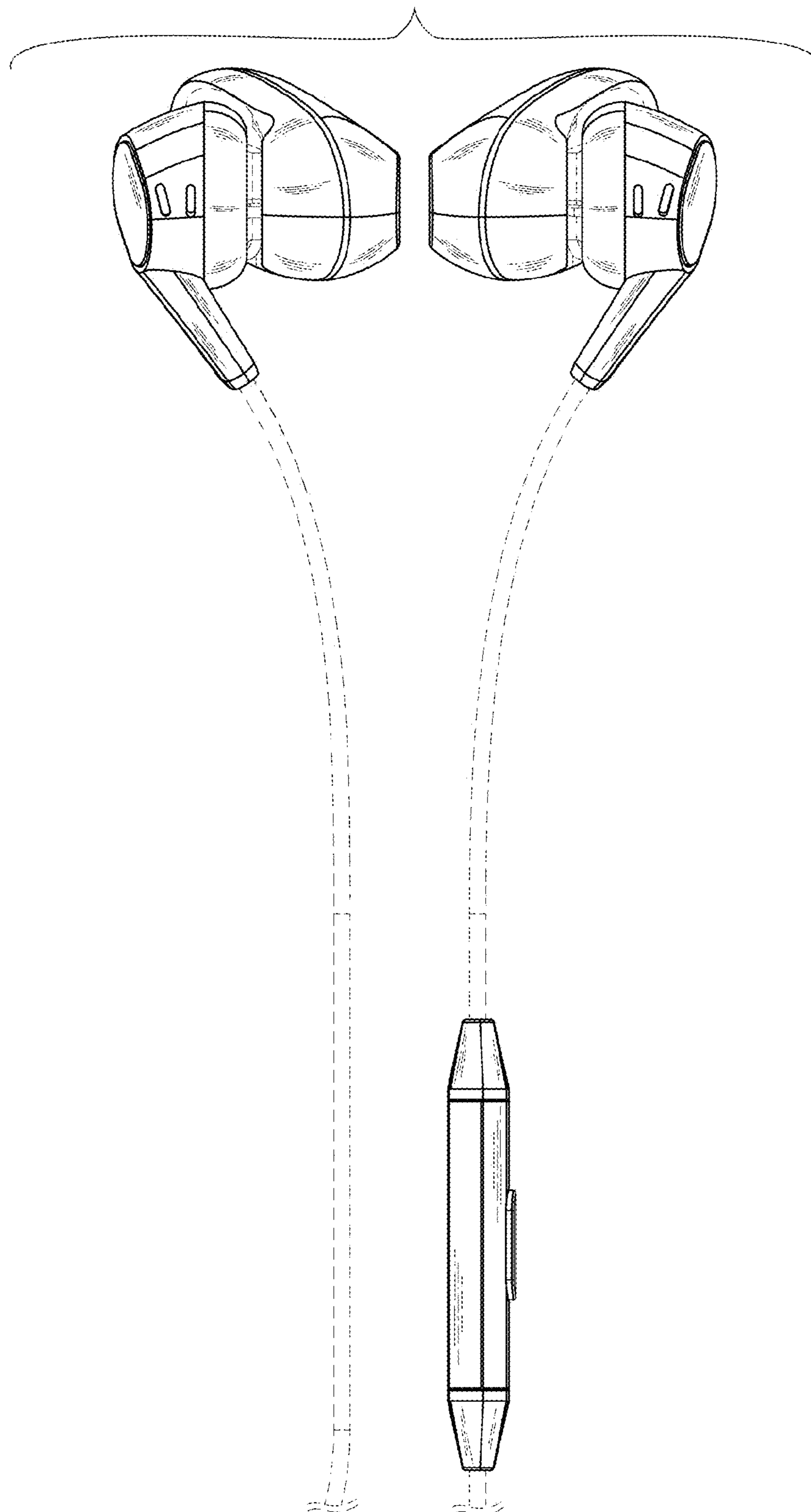


FIG. 3

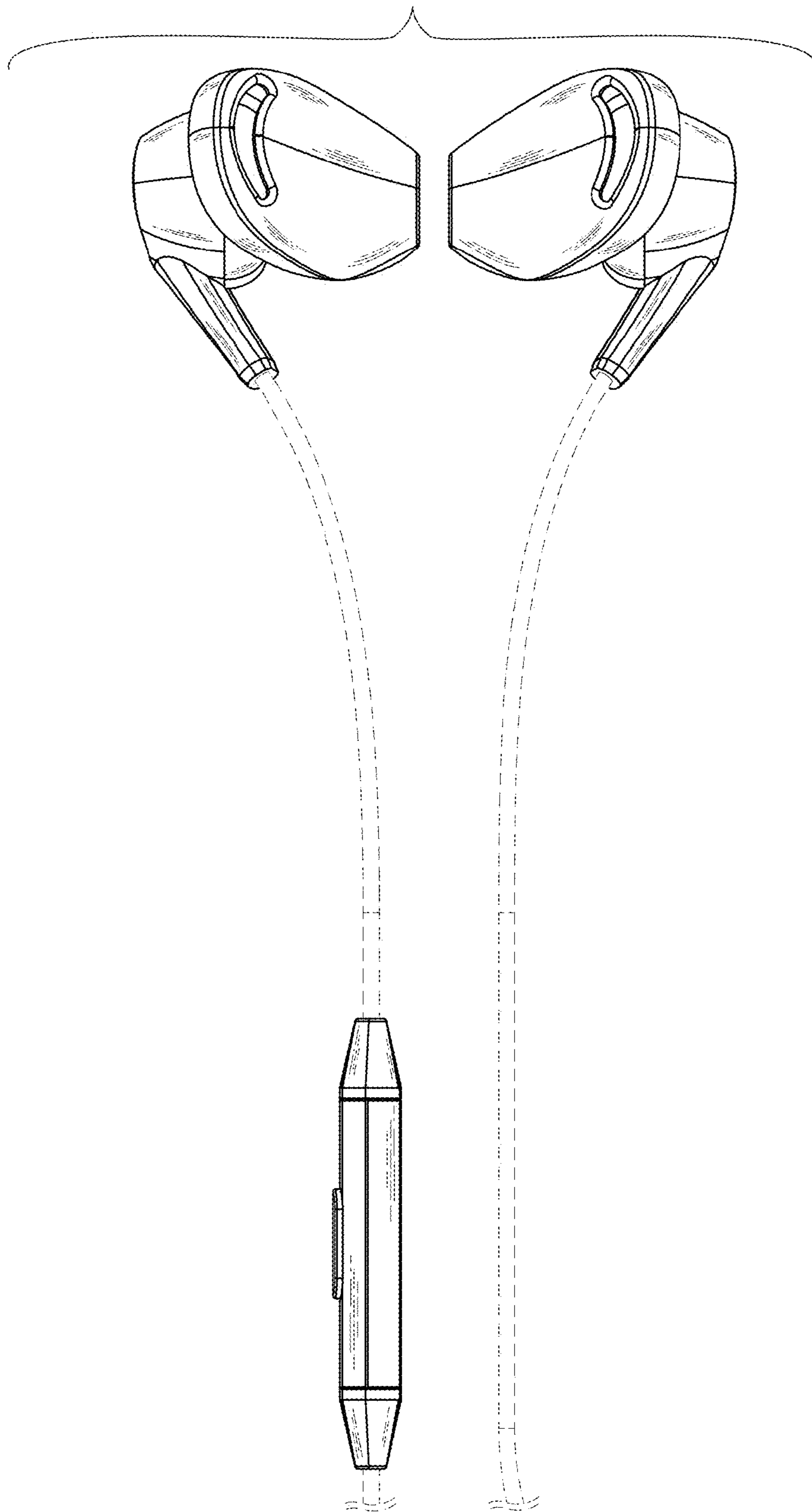


FIG. 4

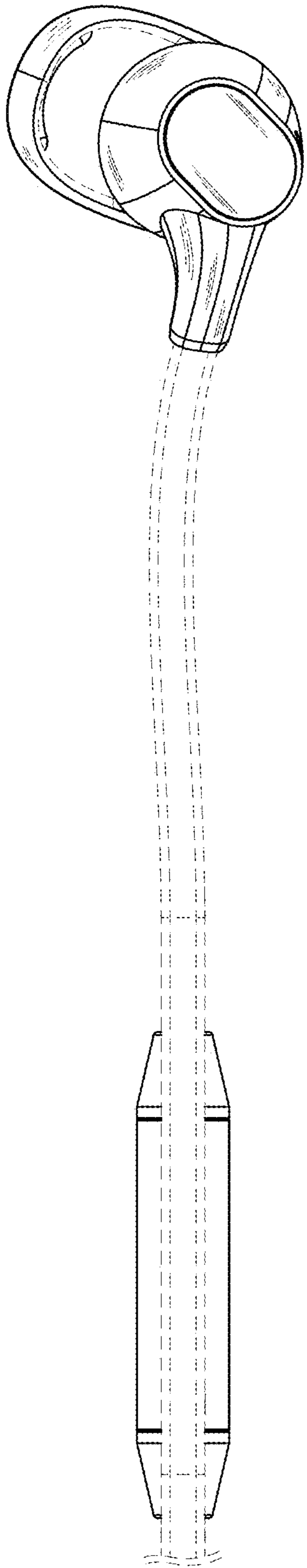


FIG. 5

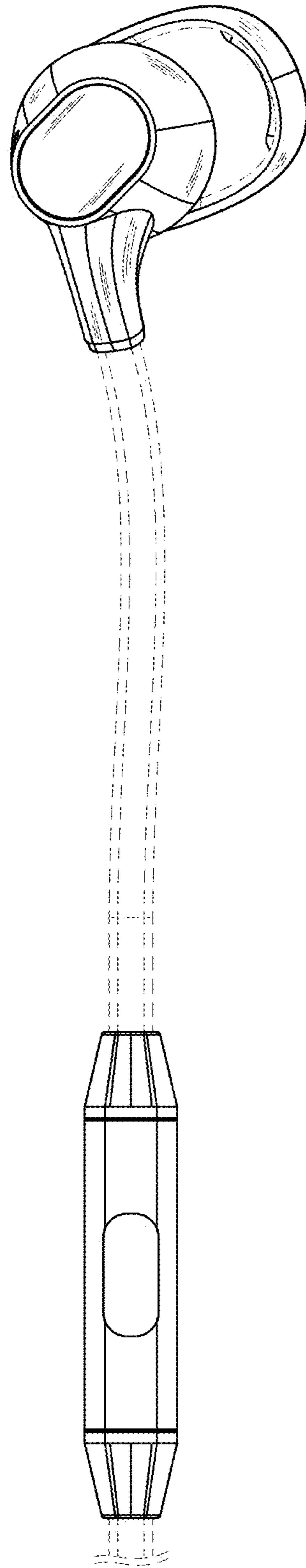


FIG. 6

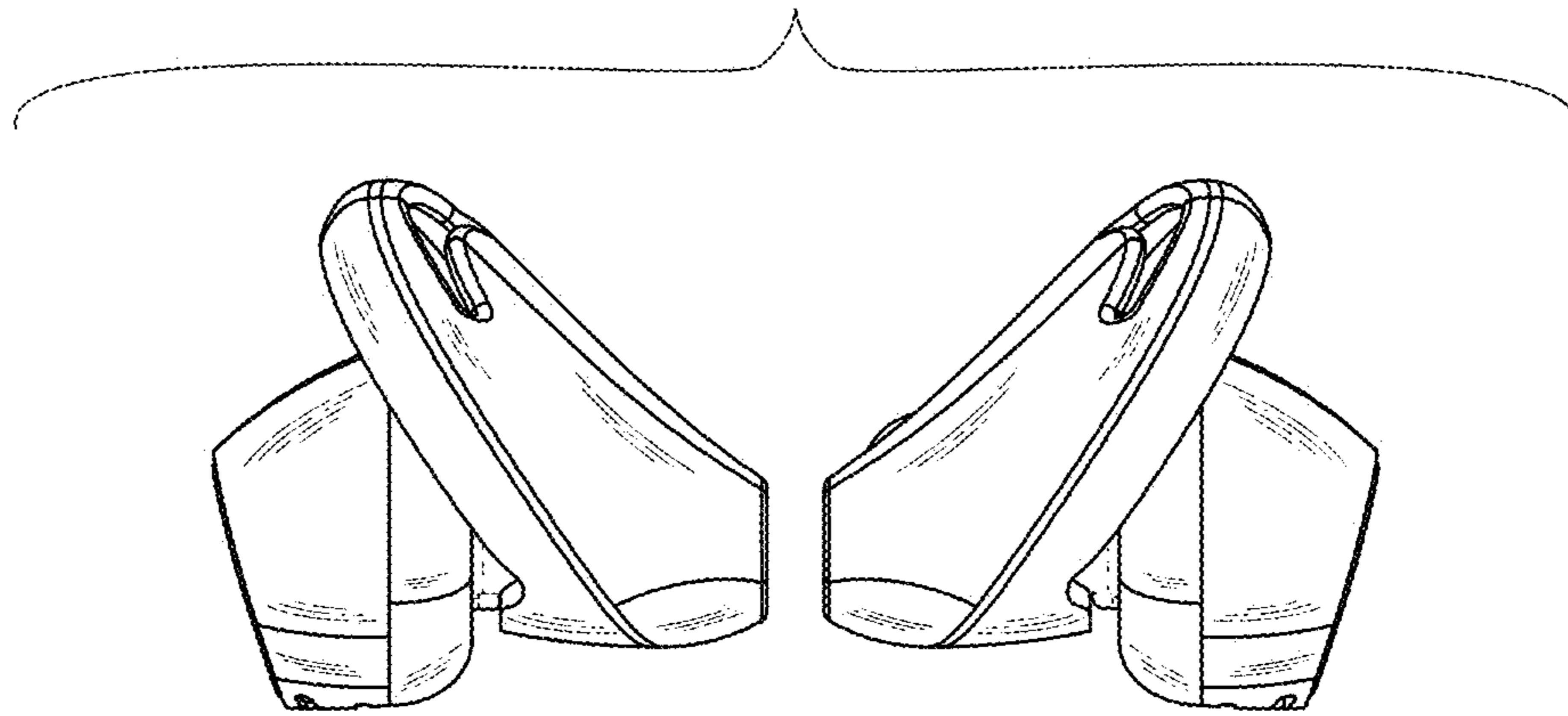


FIG. 7

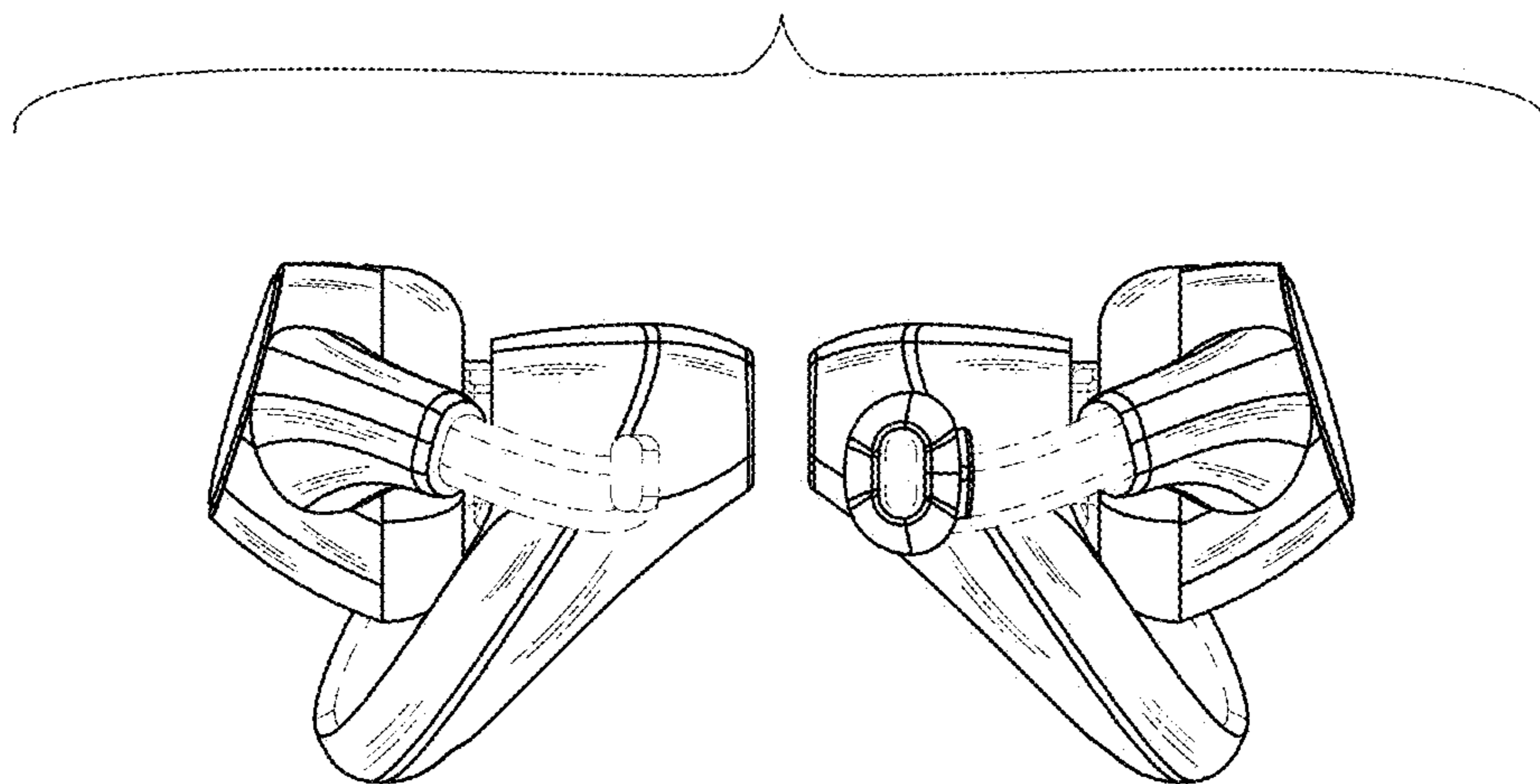


FIG. 8