



US00D875068S

(12) **United States Design Patent**
Nagamine et al.

(10) **Patent No.:** **US D875,068 S**
(45) **Date of Patent:** **** Feb. 11, 2020**

(54) **HEADPHONE**

(71) Applicant: **Audio-Technica Corporation**, Tokyo (JP)

(72) Inventors: **Takaya Nagamine**, Tokyo (JP); **Kodai Tsubone**, Tokyo (JP); **Shohei Araki**, Kanagawa (JP)

(73) Assignee: **AUDIO-TECHNICA CORPORATION**, Tokyo (JP)

(**) Term: **15 Years**

(21) Appl. No.: **29/642,791**

(22) Filed: **Apr. 2, 2018**

(30) **Foreign Application Priority Data**

Oct. 3, 2017 (JP) 2017-021945

(51) **LOC (12) Cl.** **14-01**

(52) **U.S. Cl.**
USPC **D14/205**

(58) **Field of Classification Search**
USPC ... D14/205, 207, 217, 221, 223, 224, 224.1, D14/225, 204, 209, 209.1, 210, 211, 212, D14/213, 214, 215, 216, 222; D24/173, D24/174
CPC H04R 1/10; H04R 1/1016; H04R 1/1066; H04R 1/105; H04R 1/1033; H04R 1/08; H04R 1/02; H04R 1/021; H04R 1/023; H04R 5/033; H04R 5/0335; H04R 5/00; H04R 25/00

See application file for complete search history.

(56) **References Cited**

U.S. PATENT DOCUMENTS

7,412,070 B2 * 8/2008 Kleinschmidt H04R 1/1083 381/370
D761,761 S * 7/2016 Ando D14/205
D795,218 S * 8/2017 Ohmachi D14/205
D795,835 S * 8/2017 Nagamine D14/205

D816,061 S * 4/2018 Ando D14/205
D830,333 S * 10/2018 Carr D14/205
D834,557 S * 11/2018 Hardi D14/205
D836,084 S * 12/2018 Xie D14/205
D838,687 S * 1/2019 Wu D14/205

(Continued)

OTHER PUBLICATIONS

Audio Technica ATH-DSR7BT Wireless Over-Ear Headphones, posted Dec. 26, 2016 [online], retrieved Jun. 6, 2019, https://www.amazon.com/Audio-Technica-ATN-DSR7BT-Bluetooth-Wireless-Headphones/dp/B06XY4TSGP?ref=bl_dp_s_web_2528981011.*

Primary Examiner — Barbara Fox

Assistant Examiner — Messina L Smith

(74) *Attorney, Agent, or Firm* — W&C IP

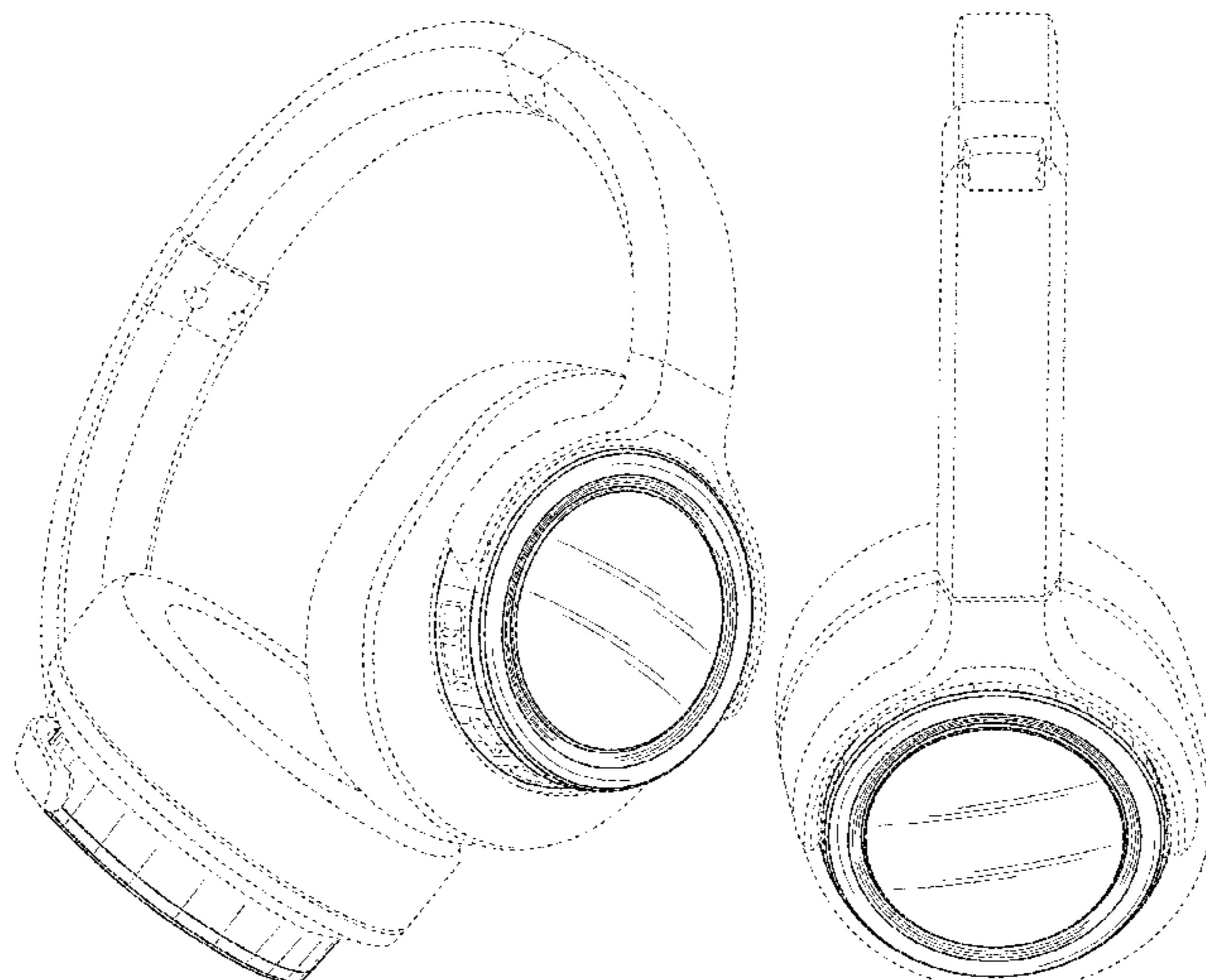
(57) **CLAIM**

The ornamental design for a headphone, as shown and described.

DESCRIPTION

FIG. 1 is a perspective view of a headphone, showing the new design;
FIG. 2 is a front elevational view of the headphone;
FIG. 3 is a rear elevational view of the headphone;
FIG. 4 is a top plan view of the headphone;
FIG. 5 is a bottom plan view of the headphone;
FIG. 6 is a left side elevational view of the headphone;
FIG. 7 is a right side elevational view of the headphone;
FIG. 8 is an enlarged sectional view of the headphone taken in the direction of line 8-8 of FIG. 4;
FIG. 9 is an enlarged partial sectional view of the headphone shown in FIG. 8; and,
FIG. 10 is an enlarged partial sectional view of the headphone shown in FIG. 8.
The broken lines in the drawings depict portions of the headphone that form no part of the claimed design. Shade lines are used to show surface contours only and are not representative of specific materials or material properties.

1 Claim, 10 Drawing Sheets



(56)

References Cited

U.S. PATENT DOCUMENTS

D841,616	S	*	2/2019	Bian	D14/205
D841,617	S	*	2/2019	Mei	D14/205
D842,270	S	*	3/2019	Chen	D14/205
D849,712	S	*	5/2019	Billaudet	D14/205
D849,713	S	*	5/2019	Hanggi	D14/205
2010/0310093	A1	*	12/2010	Semcken	H04R 1/1058 381/104
2014/0086429	A1	*	3/2014	Semcken	H04R 1/1025 381/74
2014/0254854	A1	*	9/2014	Blonder	H04R 1/1066 381/371
2018/0109866	A1	*	4/2018	Tsuihiji	H04R 1/1008
2018/0268845	A1	*	9/2018	Yeo	G10L 25/78
2019/0075388	A1	*	3/2019	Schrader	H04R 1/1041

* cited by examiner

FIG. 1

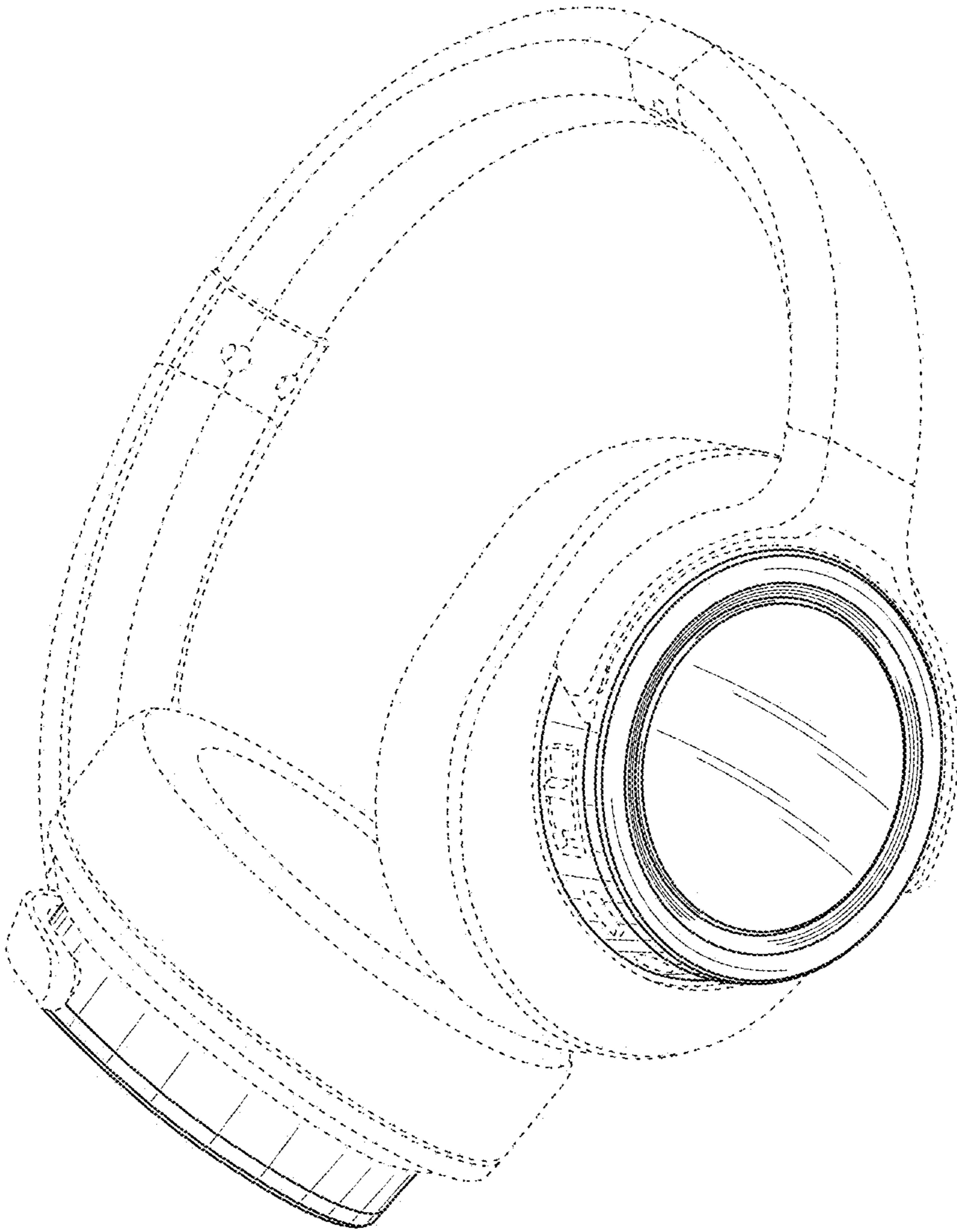


FIG. 2

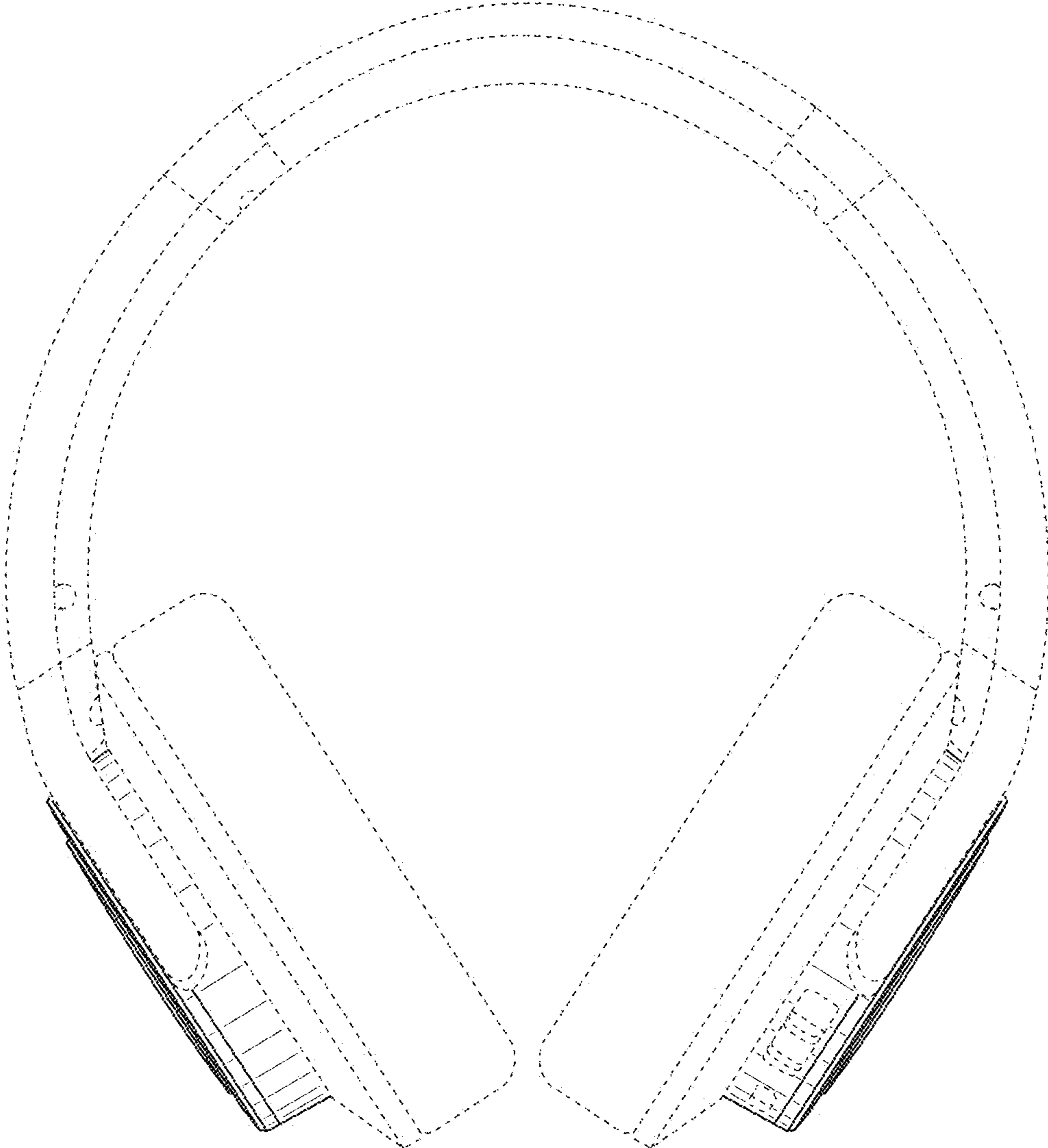


FIG. 3

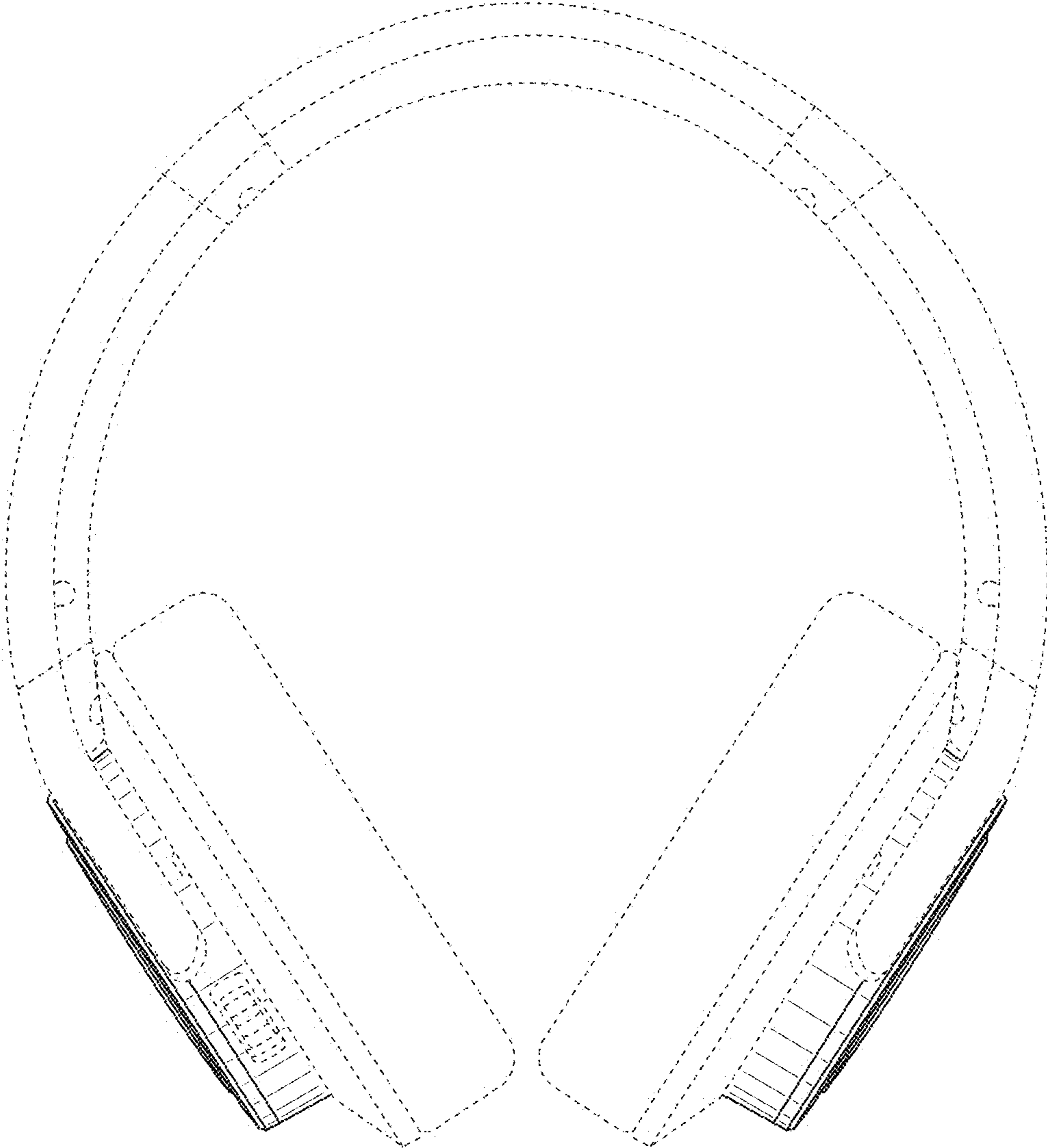


FIG. 4

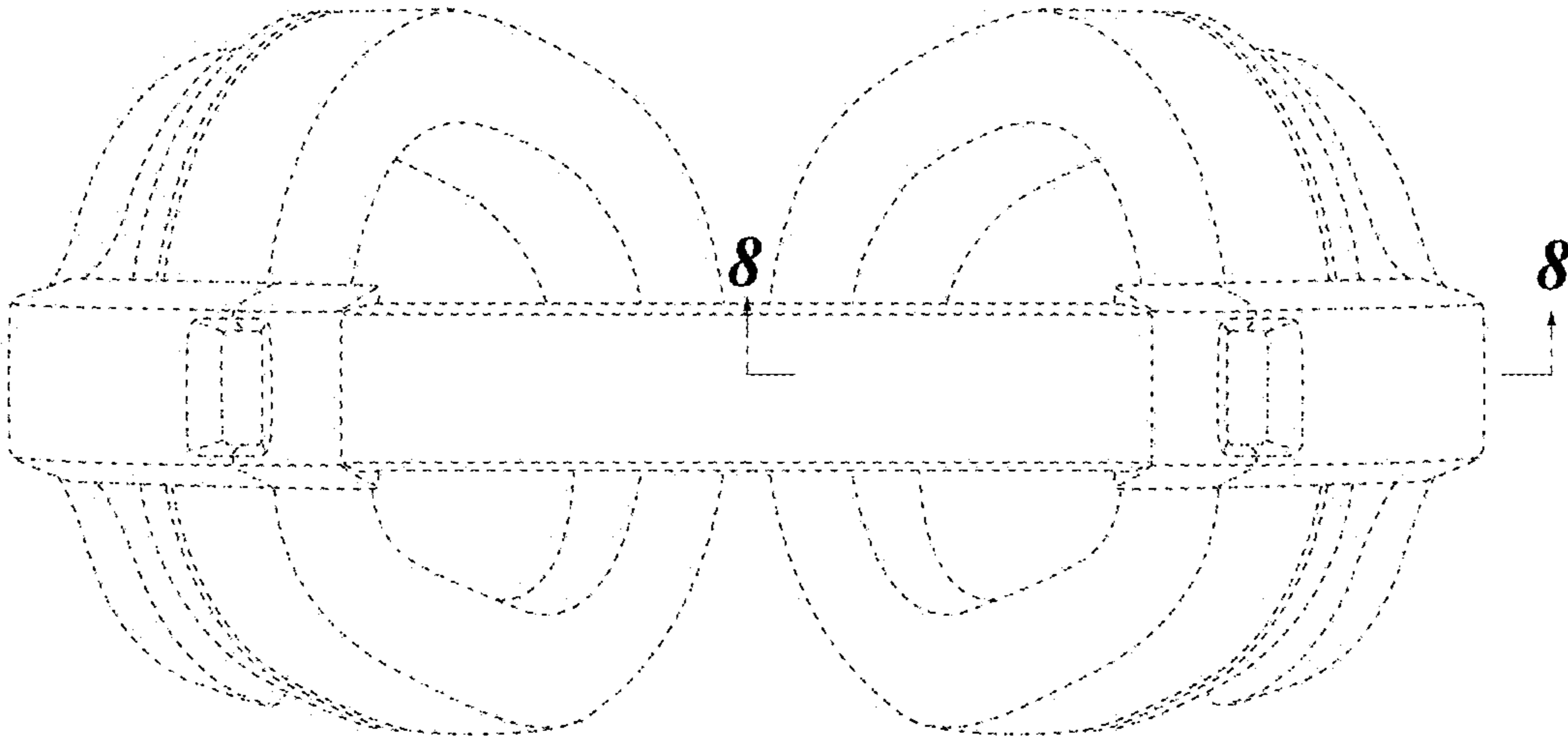


FIG. 5

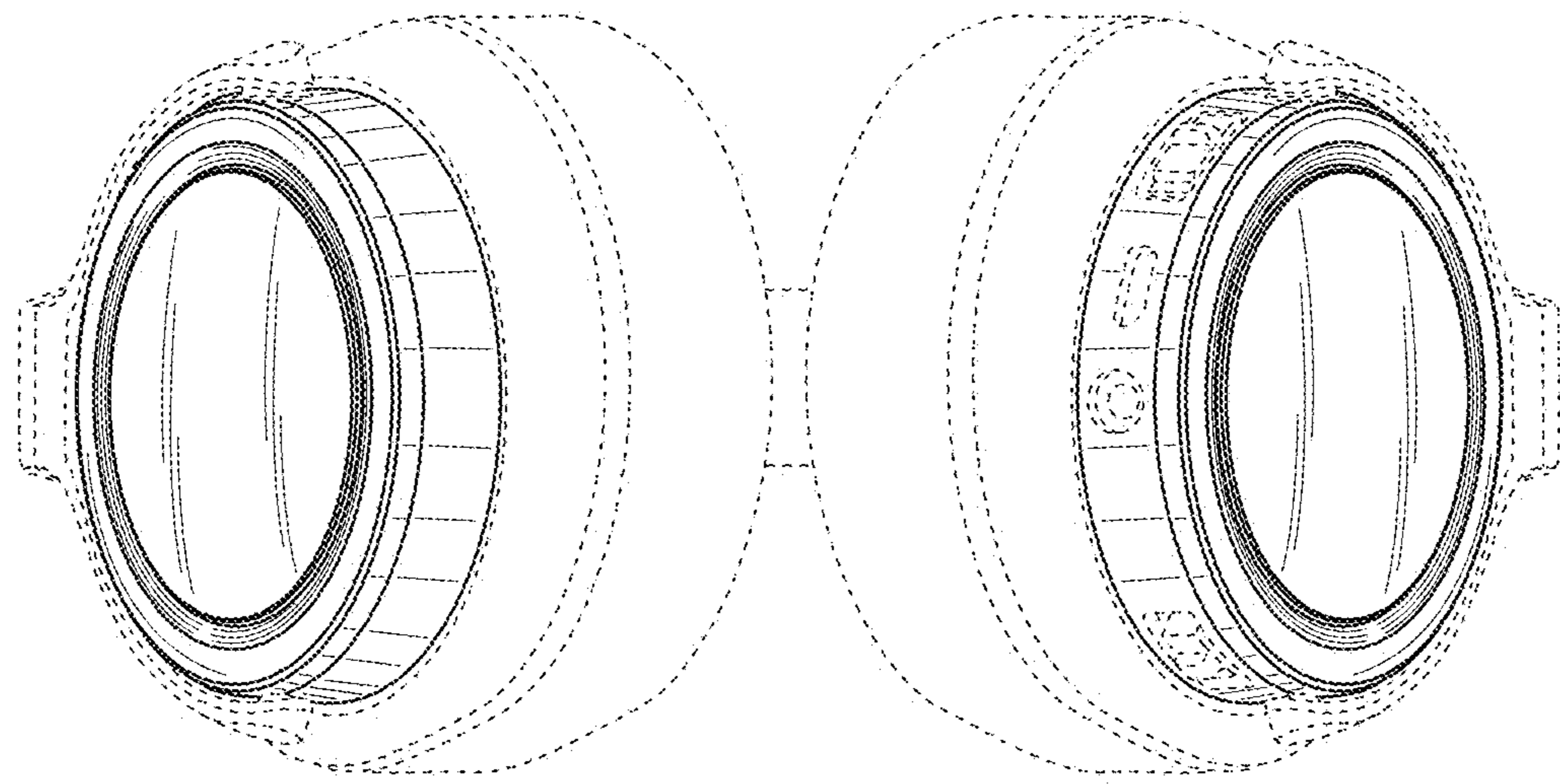


FIG. 6

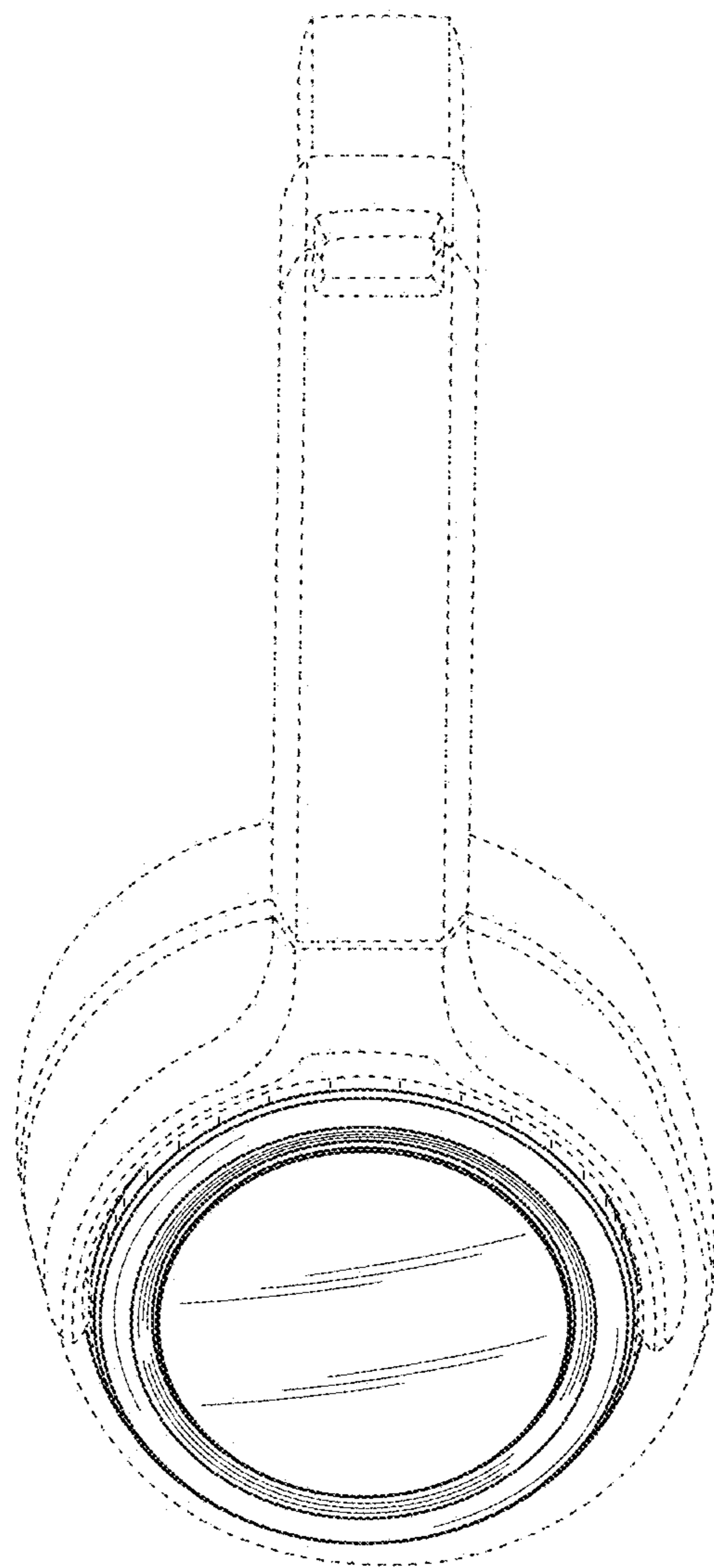


FIG. 7

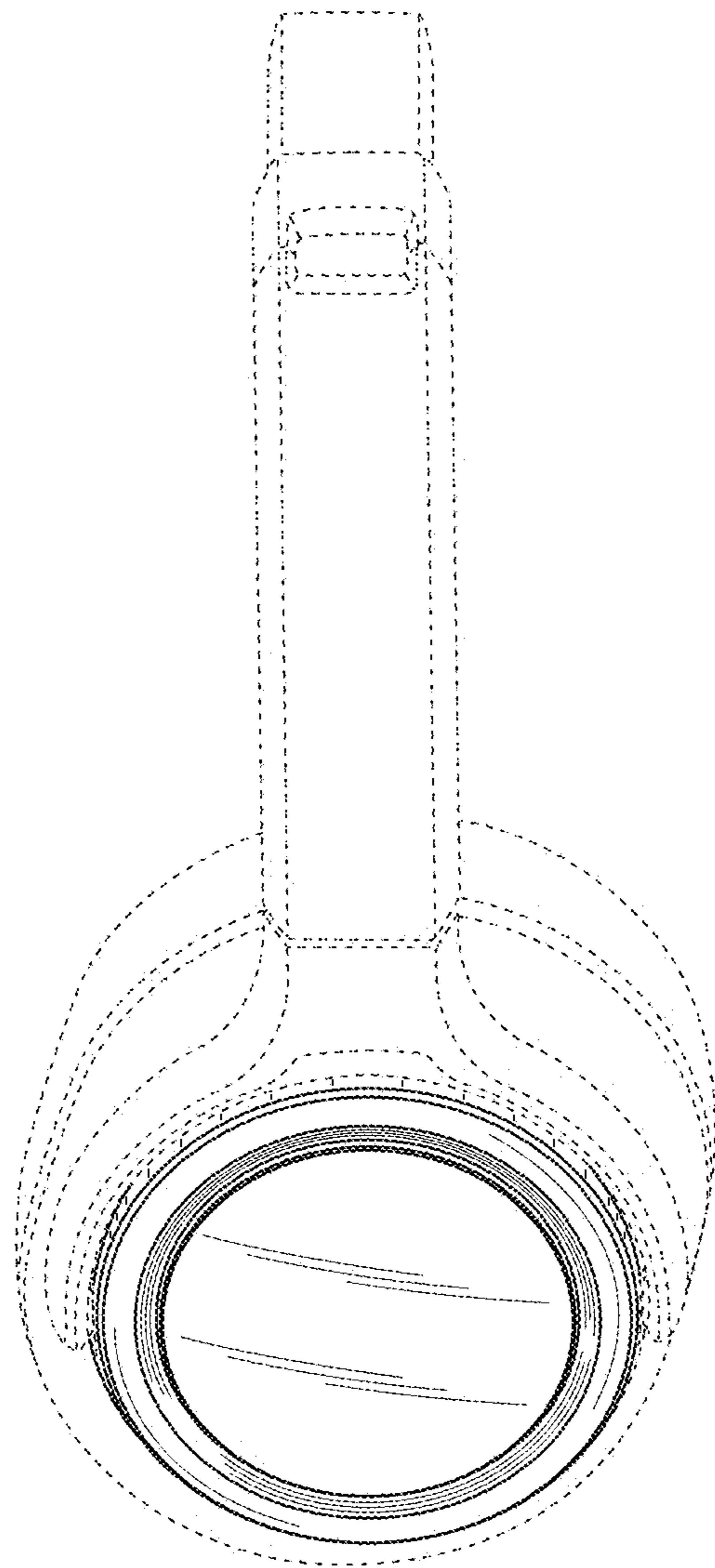


FIG. 8

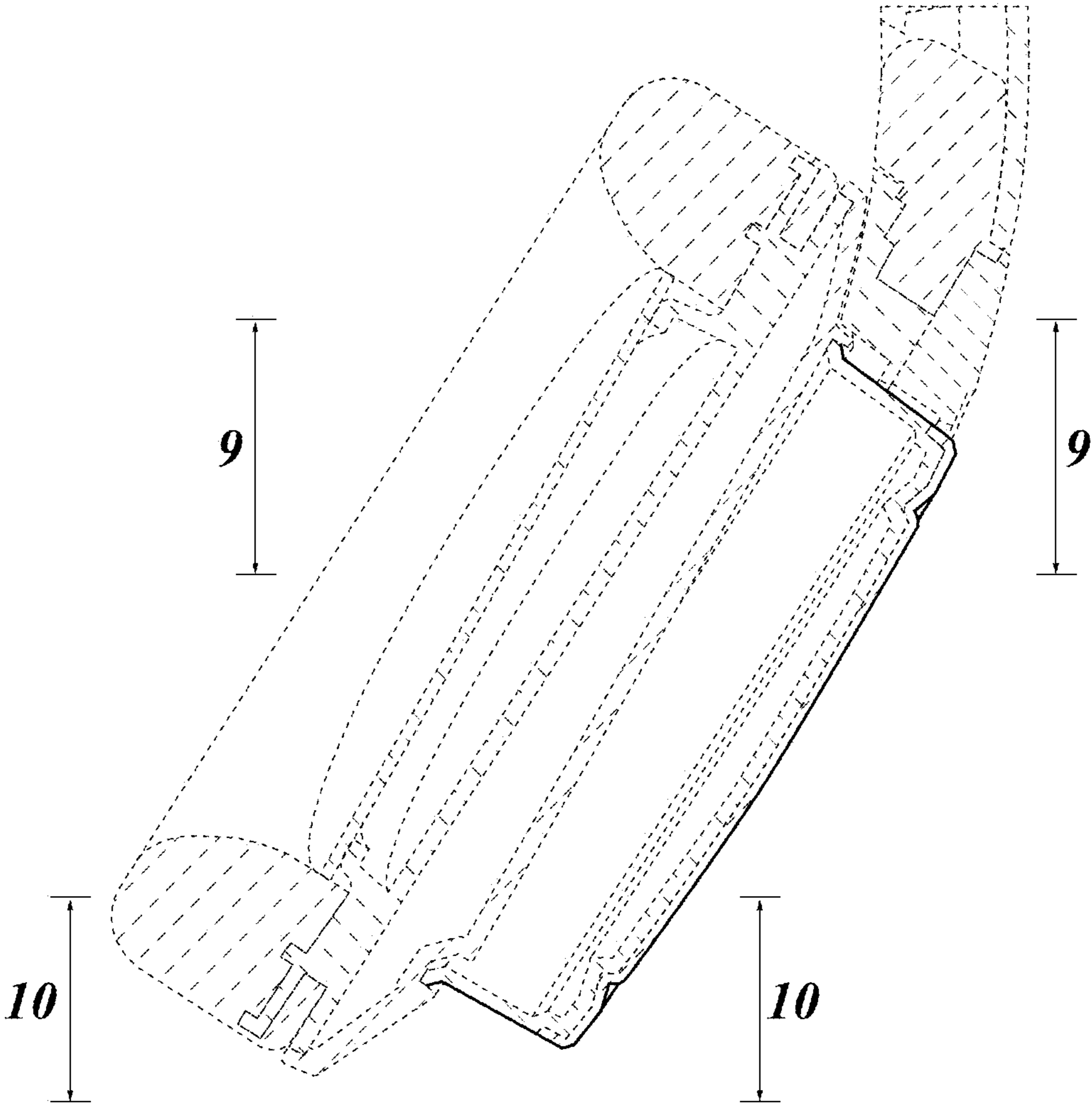


FIG. 9

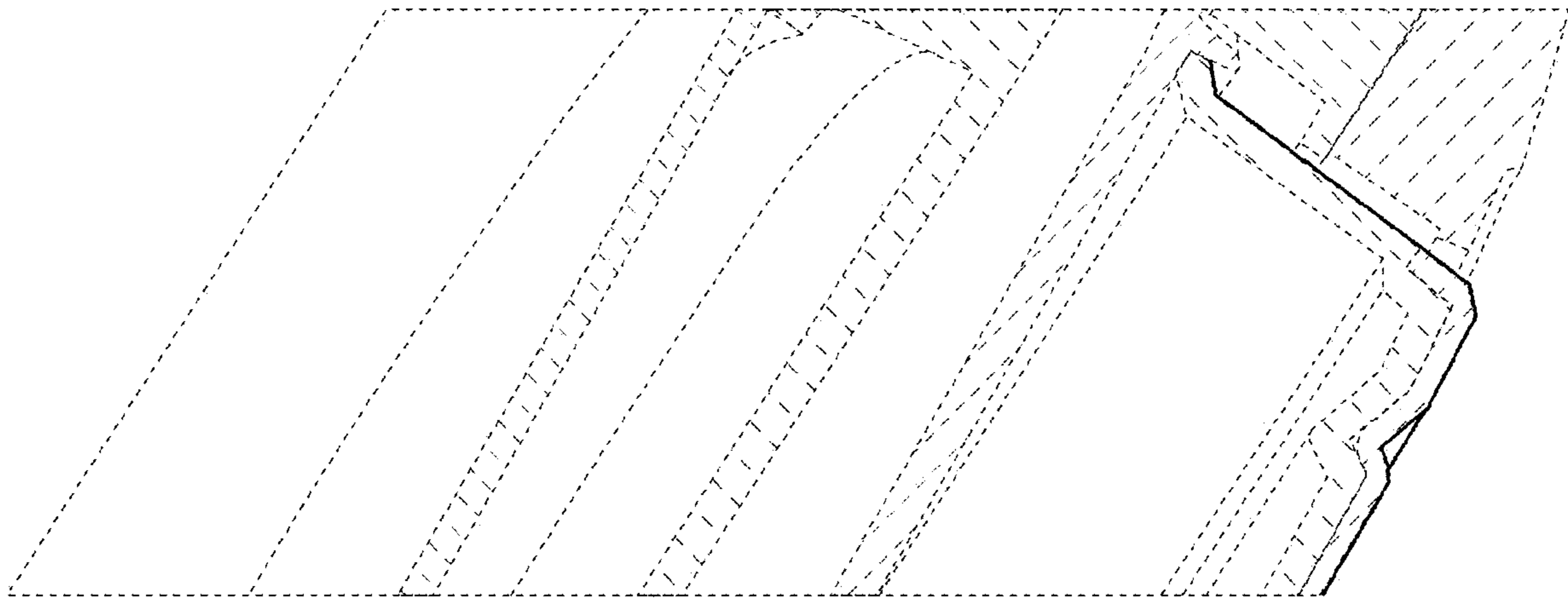


FIG. 10

