



US00D875067S

(12) **United States Design Patent**
Tsubone et al.

(10) **Patent No.:** **US D875,067 S**

(45) **Date of Patent:** **** Feb. 11, 2020**

(54) **HEADPHONE**

(71) Applicant: **Audio-Technica Corporation**, Tokyo (JP)

(72) Inventors: **Kodai Tsubone**, Tokyo (JP); **Takaya Nagamine**, Tokyo (JP); **Shohei Araki**, Kanagawa (JP)

(73) Assignee: **AUDIO-TECHNICA CORPORATION**, Tokyo (JP)

(**) Term: **15 Years**

(21) Appl. No.: **29/642,778**

(22) Filed: **Apr. 2, 2018**

(30) **Foreign Application Priority Data**

Oct. 3, 2017 (JP) 2017-021948

(51) **LOC (12) Cl.** **14-01**

(52) **U.S. Cl.**
USPC **D14/205**

(58) **Field of Classification Search**
USPC ... D14/205, 207, 217, 221, 223, 224, 224.1, D14/225, 204, 209, 209.1, 210, 211, 212, D14/213, 214, 215, 216, 222; D24/173, D24/174
CPC H04R 1/10; H04R 1/1016; H04R 1/1066; H04R 1/105; H04R 1/1033; H04R 1/08; H04R 1/02; H04R 1/021; H04R 1/023; H04R 5/033; H04R 5/0335; H04R 5/00; H04R 25/00

See application file for complete search history.

(56) **References Cited**

U.S. PATENT DOCUMENTS

7,412,070 B2 * 8/2008 Kleinschmidt H04R 1/1083
381/370
D795,218 S * 8/2017 Ohmachi D14/205
D816,061 S * 4/2018 Ando D14/205
D822,635 S * 7/2018 Ando D14/205

D830,333 S * 10/2018 Carr D14/205
D834,557 S * 11/2018 Hardi D14/205
D836,084 S * 12/2018 Xie D14/205
D837,764 S * 1/2019 Xiao D14/205
D838,687 S * 1/2019 Wu D14/205
D841,616 S * 2/2019 Bian D14/205

(Continued)

OTHER PUBLICATIONS

Audio Technica ATH-DSR7BT Wireless Over-Ear Headphones, posted Dec. 26, 2016 [online], retrieved Jun. 6, 2019, retrieved from internet, https://www.amazon.com/Audio-Technica-ATH-DSR7BT-Bluetooth-Wireless-Headphones/dp/B06XY4TSGP?ref=bl_dp_s_web_2528981011.*

Primary Examiner — Barbara Fox

Assistant Examiner — Messina L Smith

(74) *Attorney, Agent, or Firm* — W&C IP

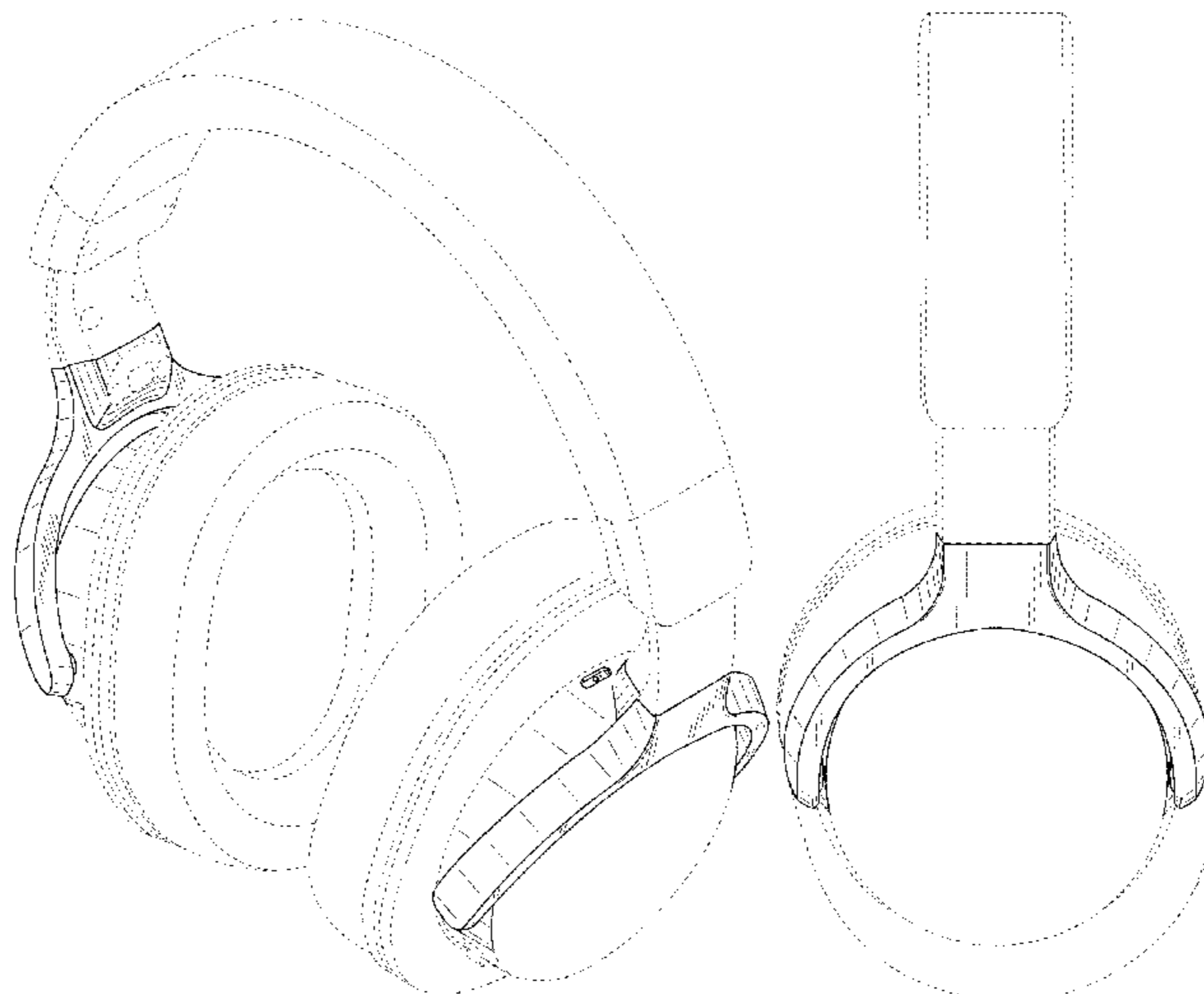
(57) **CLAIM**

The ornamental design for a headphone, as shown and described.

DESCRIPTION

FIG. 1 is a perspective view of a headphone, showing the new design;
FIG. 2 is a front elevational view of the headphone;
FIG. 3 is a rear elevational view of the headphone;
FIG. 4 is a top plan view of the headphone;
FIG. 5 is a bottom plan view of the headphone;
FIG. 6 is a left side elevational view of the headphone;
FIG. 7 is a right side elevational view of the headphone;
FIG. 8 is a sectional view of the headphone taken in the direction of line 8-8 of FIG. 2; and,
FIG. 9 is an enlarged partial sectional view of the headphone taken in the direction of line 9-9 of FIG. 4.
The broken lines shown in the drawings depict portions of the headphone that form no part of the claimed design. The dot-dash line depicts a boundary of the claim and forms no part thereof.

1 Claim, 9 Drawing Sheets



(56)

References Cited

U.S. PATENT DOCUMENTS

D841,617 S *	2/2019	Mei	D14/205
D842,270 S *	3/2019	Chen	D14/205
D843,345 S *	3/2019	Brunner	D14/205
D843,967 S *	3/2019	Paterson	D14/205
D849,713 S *	5/2019	Hanggi	D14/205
D850,406 S *	6/2019	Hembrey	D14/205
2014/0086429 A1 *	3/2014	Semcken	H04R 1/1025 381/74
2014/0254854 A1 *	9/2014	Blonder	H04R 1/1066 381/371
2018/0109866 A1 *	4/2018	Tsuihiji	H04R 1/1008
2019/0075388 A1 *	3/2019	Schrader	H04R 1/1041

* cited by examiner

FIG. 1

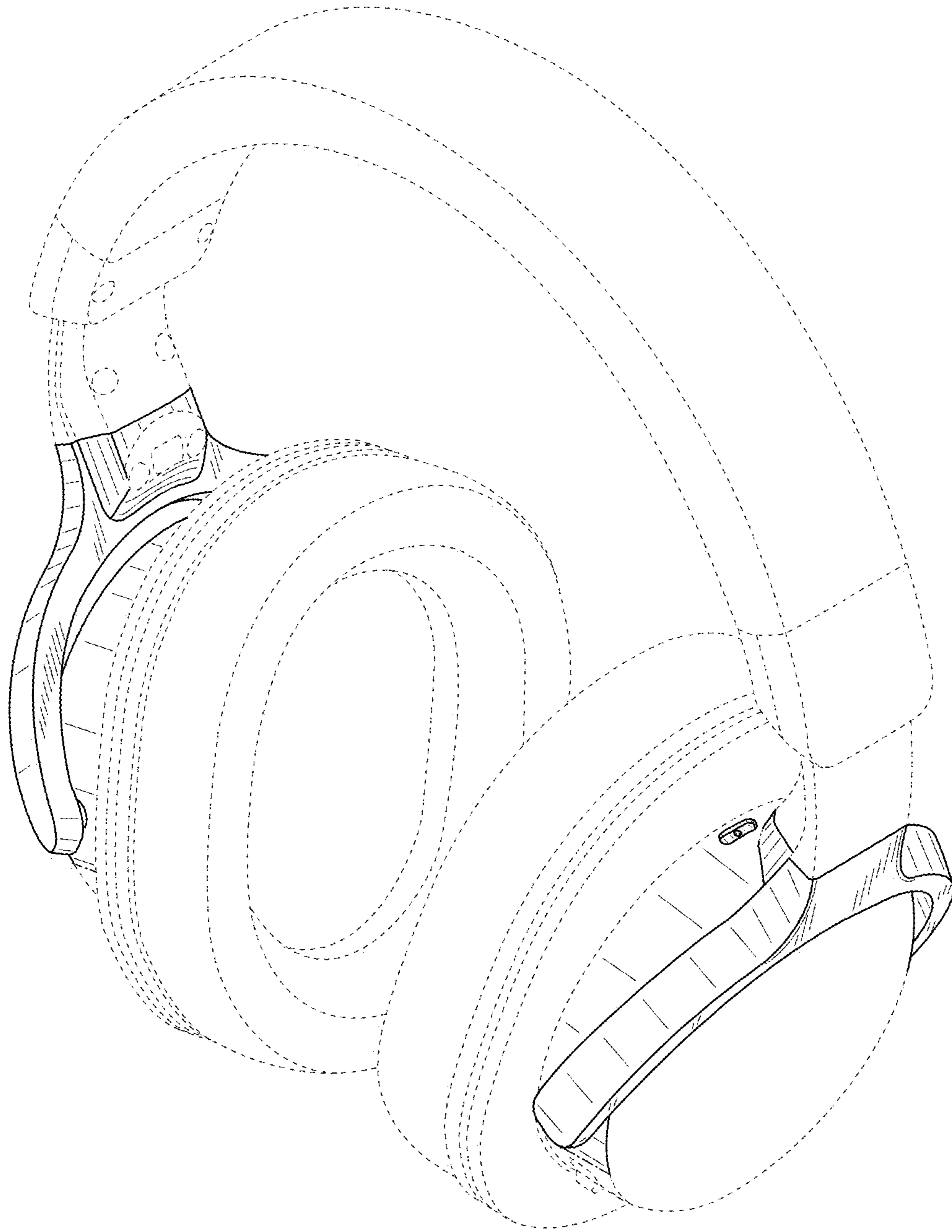


FIG. 2

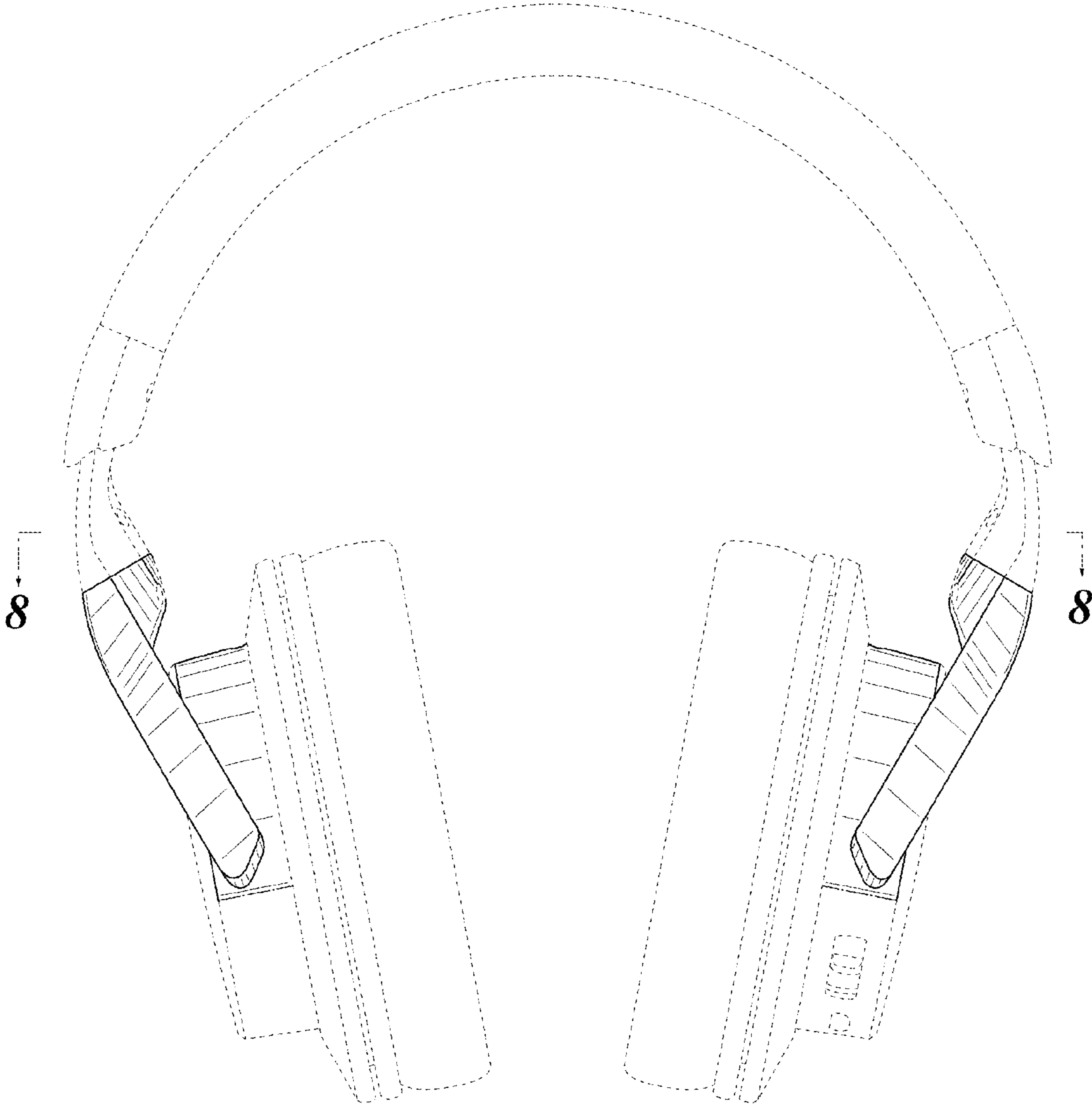


FIG. 3

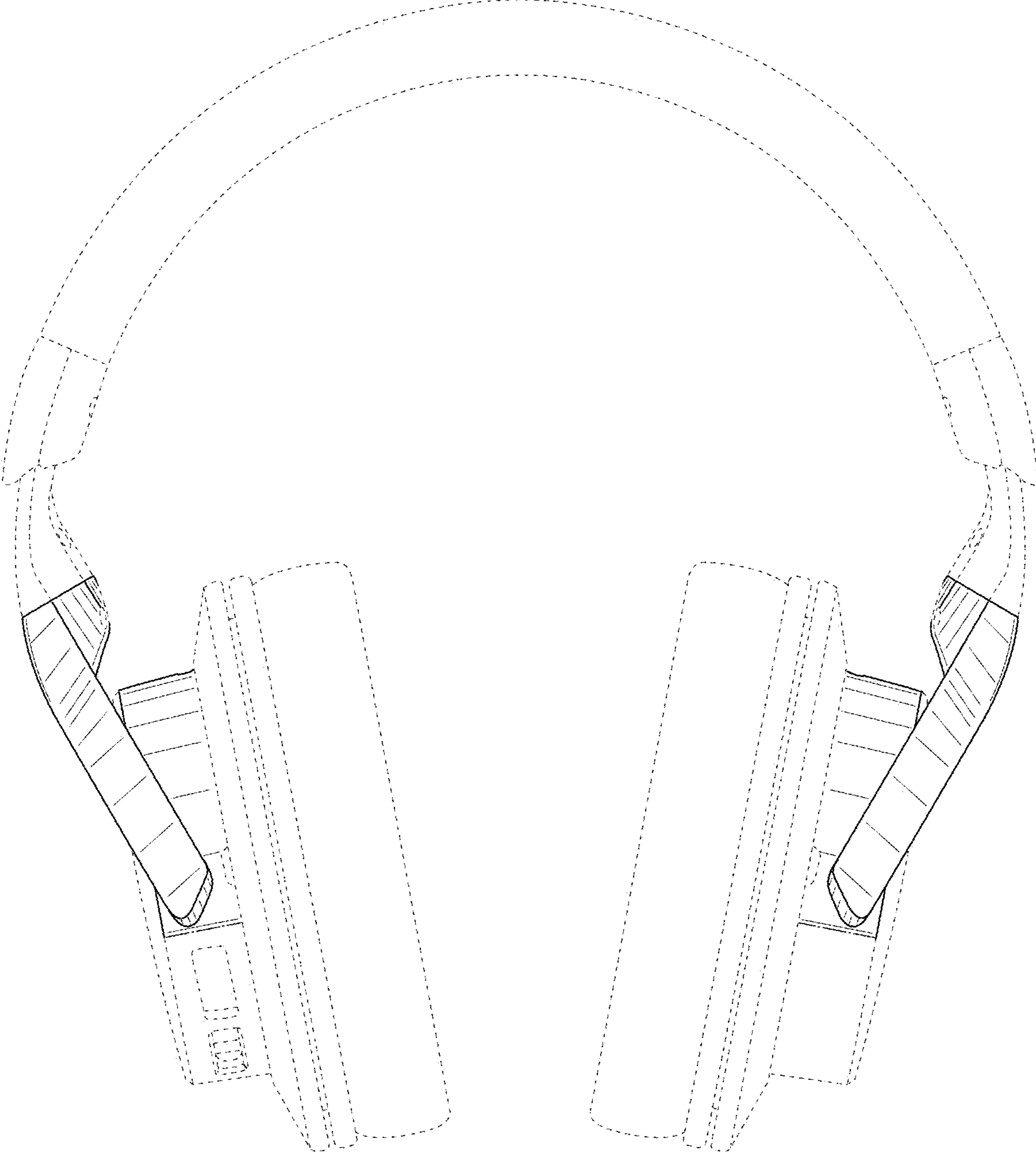


FIG. 4

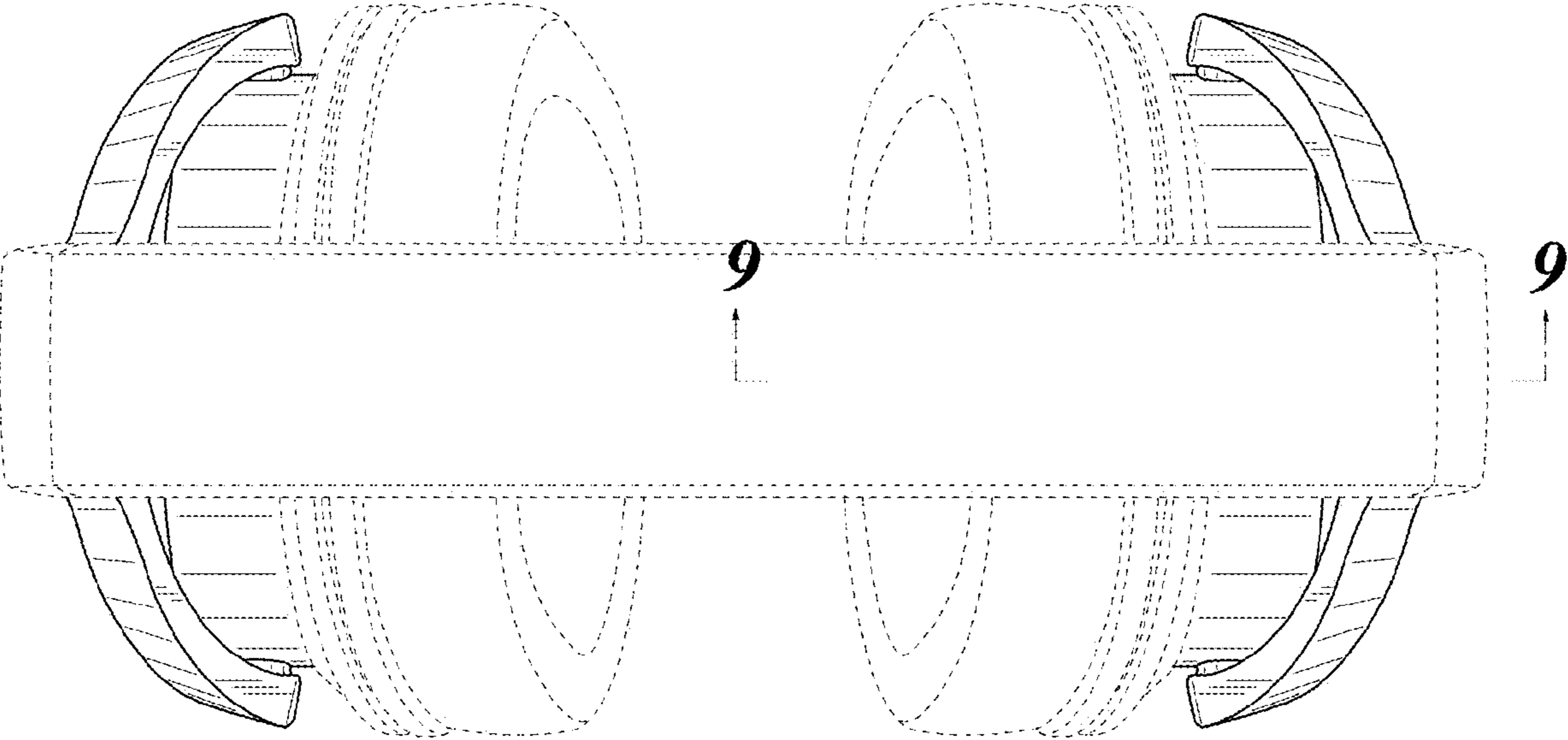


FIG. 5

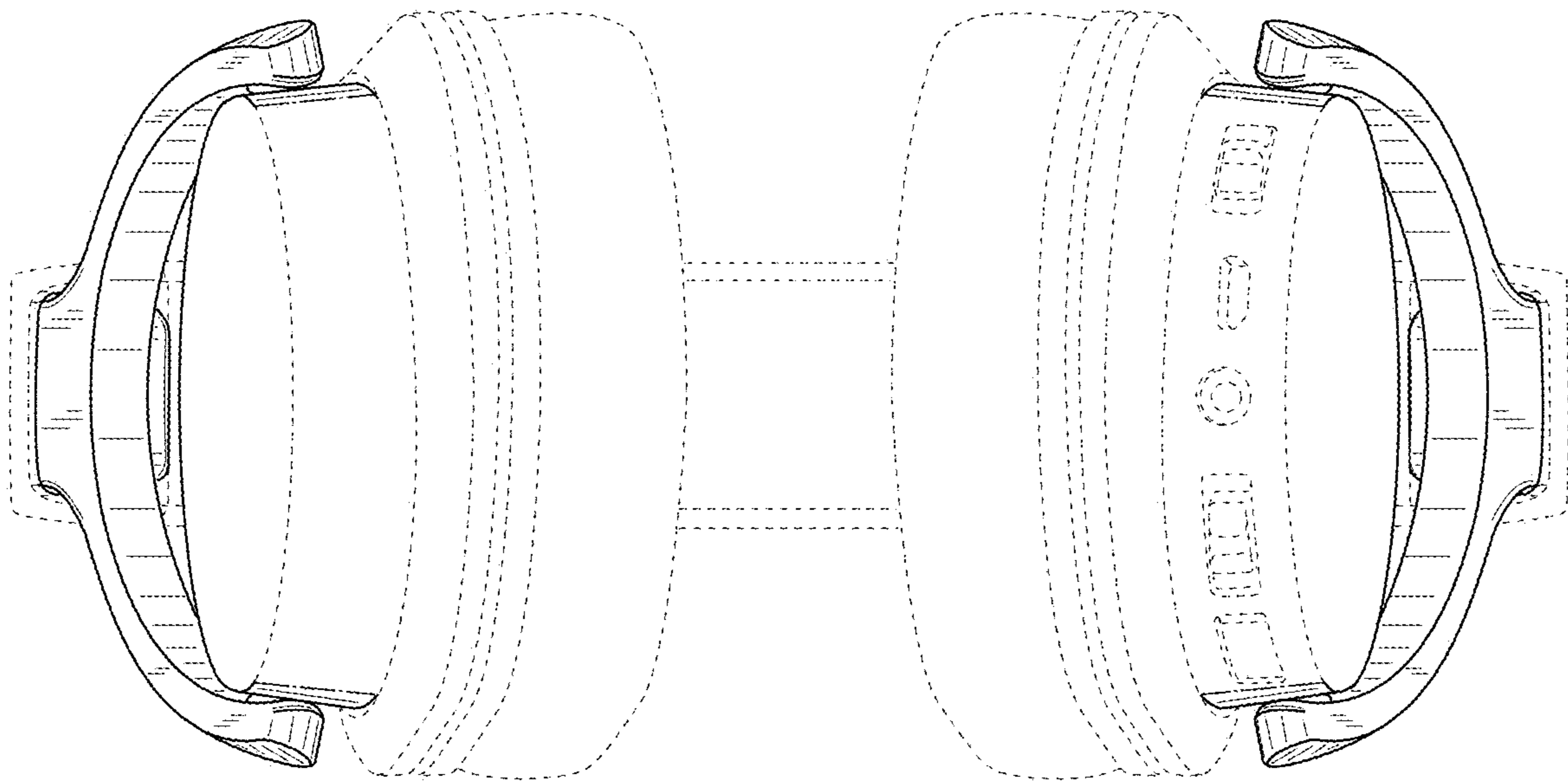


FIG. 6

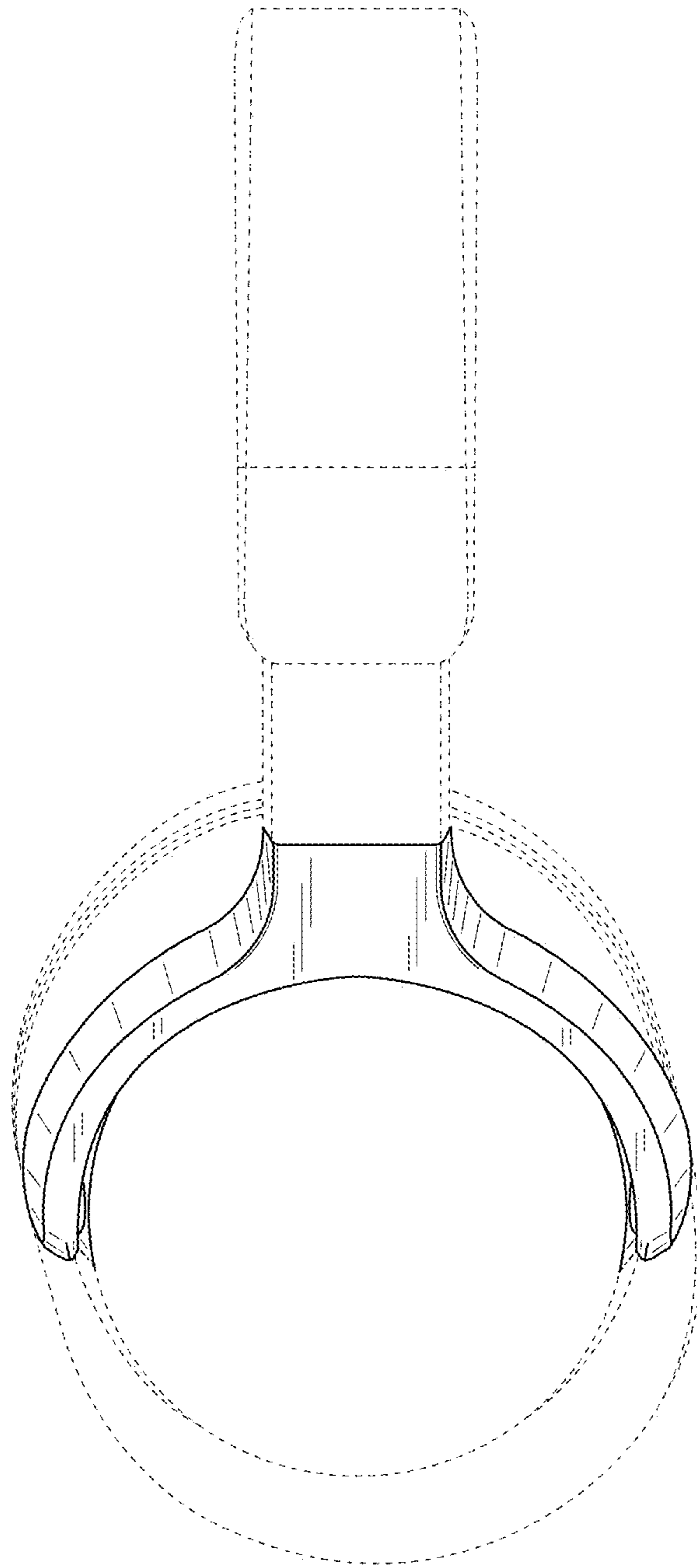


FIG. 7

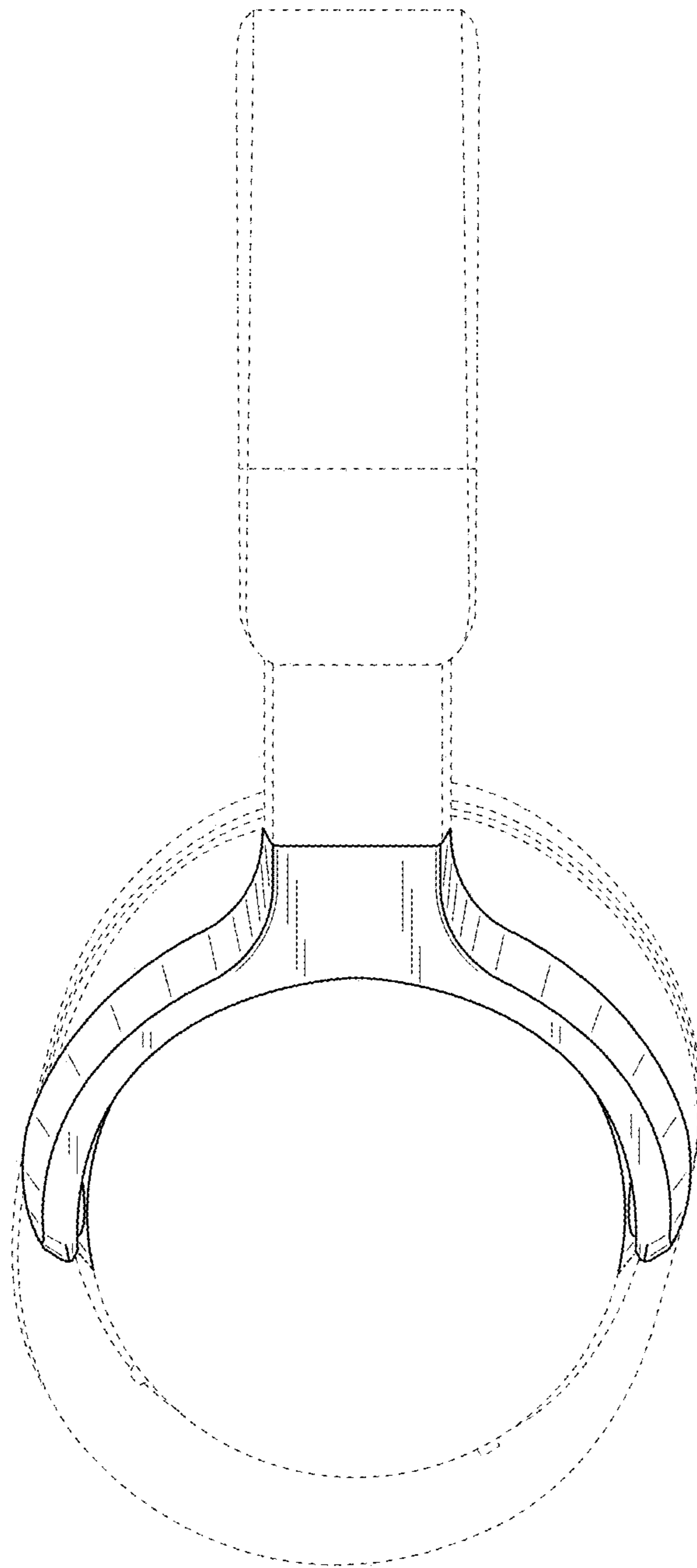


FIG. 8

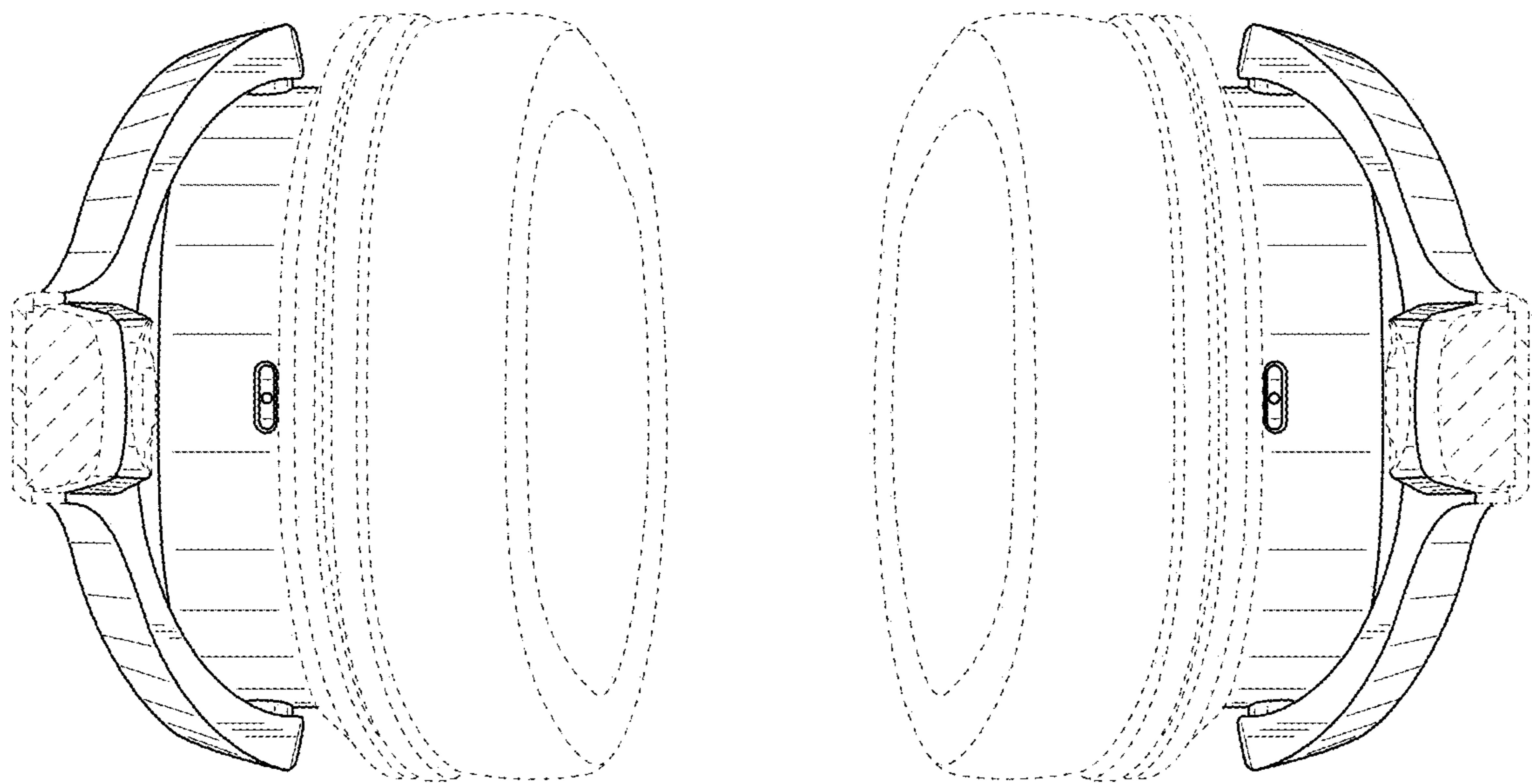


FIG. 9

