



US00D875066S

(12) **United States Design Patent**
Ando et al.

(10) **Patent No.:** **US D875,066 S**
(45) **Date of Patent:** **** Feb. 11, 2020**

(54) **HEADPHONE**

(71) Applicant: **KABUSHIKI KAISHA**
AUDIO-TECHNICA, Tokyo (JP)

(72) Inventors: **Kozo Ando**, Kanagawa (JP); **Shohei Araki**, Kanagawa (JP)

(73) Assignee: **Audio-Technica Corporation**, Tokyo (JP)

(**) Term: **15 Years**

(21) Appl. No.: **29/622,925**

(22) Filed: **Oct. 20, 2017**

Related U.S. Application Data

(63) Continuation of application No. 29/553,971, filed on Feb. 5, 2016, now Pat. No. Des. 822,635.

(30) **Foreign Application Priority Data**

Aug. 7, 2015 (JP) 2015-17536

(51) **LOC (12) Cl.** **14-01**

(52) **U.S. Cl.**
USPC **D14/205**

(58) **Field of Classification Search**
USPC D14/205, 188, 192, 372; D29/112;
2/209; 181/129, 130, 135; 379/430, 431;
381/380, 381, 370, 374, 74; 455/90.3,
455/575.1, 569.1; 345/7, 8, 9
CPC H04R 1/1066; H04R 1/1016; H04R 25/00;
H04R 25/02; H04R 5/033; H04R 5/0335;
H04R 1/10
See application file for complete search history.

(56) **References Cited**

U.S. PATENT DOCUMENTS

501,600 A * 7/1893 Farr 181/129
1,321,265 A * 11/1919 Wagner H04R 1/345
181/130
1,483,315 A * 2/1924 Saal 381/378

(Continued)

FOREIGN PATENT DOCUMENTS

GB 2505919 3/2014
JP 2010109799 5/2010

(Continued)

OTHER PUBLICATIONS

T. Kimura: "Noise-cancelling headphone", Audio Technica KK pp. 1-26, Nov. 18, 2009.

Primary Examiner — Paula Allen Greene
(74) *Attorney, Agent, or Firm* — W&C IP

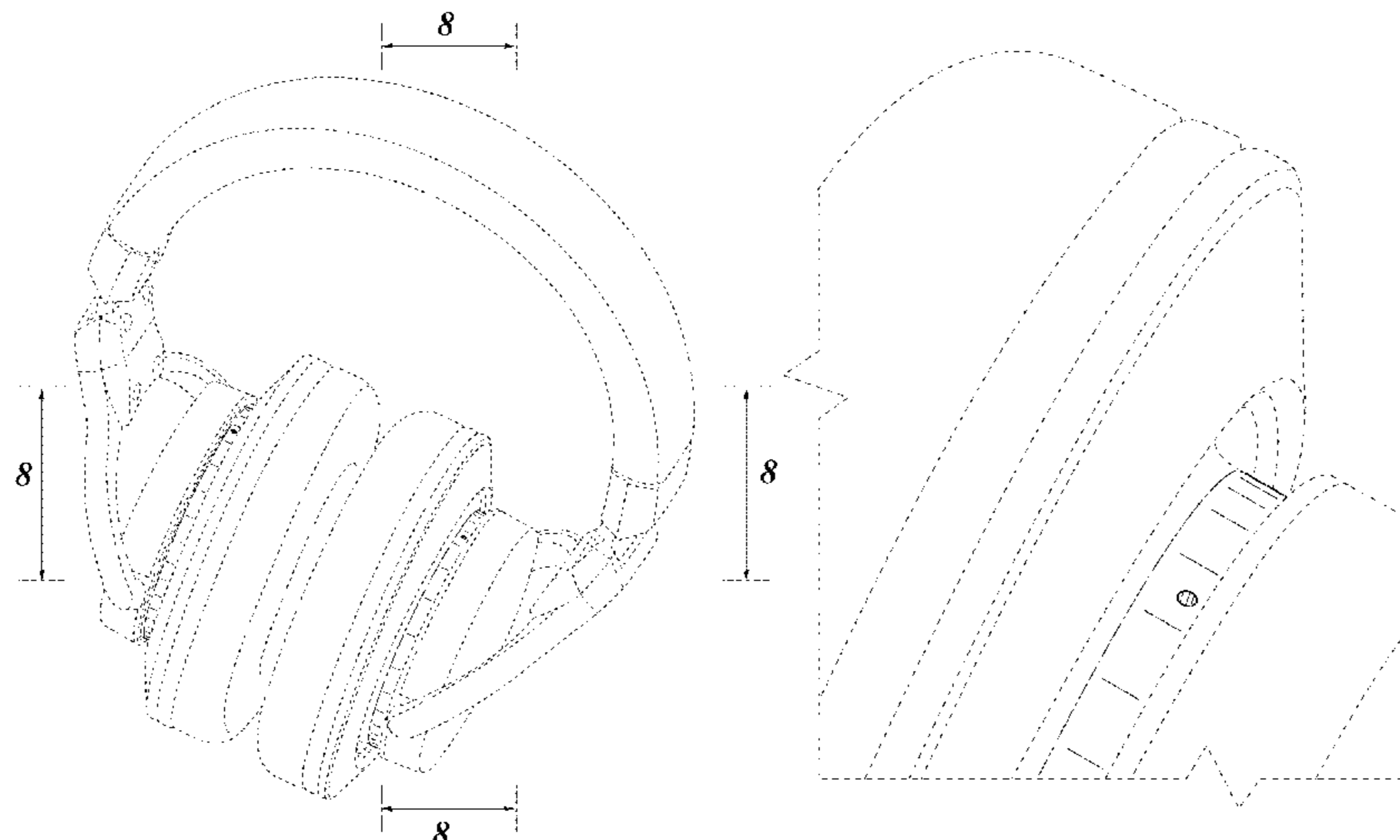
(57) **CLAIM**

What is claimed is the ornamental design for a headphone, as shown and described.

DESCRIPTION

FIG. 1 is a perspective view of a headphone;
FIG. 2 is a front elevational view of the headphone;
FIG. 3 is a rear elevational view of the headphone;
FIG. 4 is a top plan view of the headphone;
FIG. 5 is a bottom plan view of the headphone;
FIG. 6 is a left side elevational view of the headphone;
FIG. 7 is a right side elevational view of the headphone;
FIG. 8 is an enlarged partial view of the headphone taken from FIG. 1;
FIG. 9 is a sectional view of the headphone taken along line 9-9 of FIG. 2; and,
FIG. 10 is an enlarged partial sectional view of the headphone taken along line 10-10 of FIG. 9.
The broken lines immediately adjacent the shaded areas represent the bounds of the claimed design while all other broken lines are directed to environment and are for illustrative purposes only; the broken lines form no part of the claimed design.

1 Claim, 10 Drawing Sheets



(56)

References Cited

U.S. PATENT DOCUMENTS

1,535,284 A * 4/1925 Baker H04R 1/1066
381/377
1,830,198 A * 11/1931 French H04R 25/652
181/135
2,188,591 A * 1/1940 Carlson H04R 25/652
181/132
2,395,356 A * 2/1946 Thompson H04R 5/0335
381/189
2,576,447 A * 11/1951 Dalton H04M 1/05
379/454
2,651,380 A * 9/1953 Brandenburg A61B 7/02
181/137
2,769,040 A * 10/1956 Di Mattia H04M 1/03
381/354
2,882,348 A * 4/1959 Erickson G02C 11/06
381/322
3,098,307 A * 7/1963 Caldwell, Jr. G09B 5/04
181/20
3,134,456 A * 5/1964 Wadsworth H04R 1/1008
181/129
3,169,600 A * 2/1965 Thomas A61B 7/02
181/135
3,440,663 A * 4/1969 Beguin A61F 11/14
2/209
3,906,478 A * 9/1975 Smey B60K 28/06
340/575
4,065,645 A * 12/1977 Warner H04R 5/0335
381/371

4,679,650 A * 7/1987 Moser H04R 25/654
181/130
4,867,265 A * 9/1989 Wright A61B 7/02
181/131
4,977,975 A * 12/1990 Lazzeroni A42B 3/166
181/129
5,109,424 A * 4/1992 Andre H04R 1/1008
381/371
6,735,316 B1 5/2004 Wurtz
8,085,966 B2 * 12/2011 Amsel H04R 1/025
381/370
8,270,658 B2 * 9/2012 Goldberg H04R 1/1041
381/370
8,472,636 B2 6/2013 Sibbald
D822,635 S * 7/2018 Ando D14/205
10,104,212 B2 * 10/2018 Meyberg H04M 1/05
2009/0010474 A1 1/2009 Ouryouji
2009/0285408 A1 11/2009 Kimura
2010/0080400 A1 4/2010 Sibbald et al.
2011/0044465 A1 2/2011 D'Agostino et al.
2011/0130176 A1 6/2011 Magrath
2012/0014532 A1 1/2012 Kimura
2012/0128191 A1 5/2012 Jung et al.
2014/0105413 A1 4/2014 Clemow
2014/0169579 A1 6/2014 Azmi

FOREIGN PATENT DOCUMENTS

JP 2011087048 4/2011
WO 2007/085796 A1 8/2007

* cited by examiner

FIG. 1

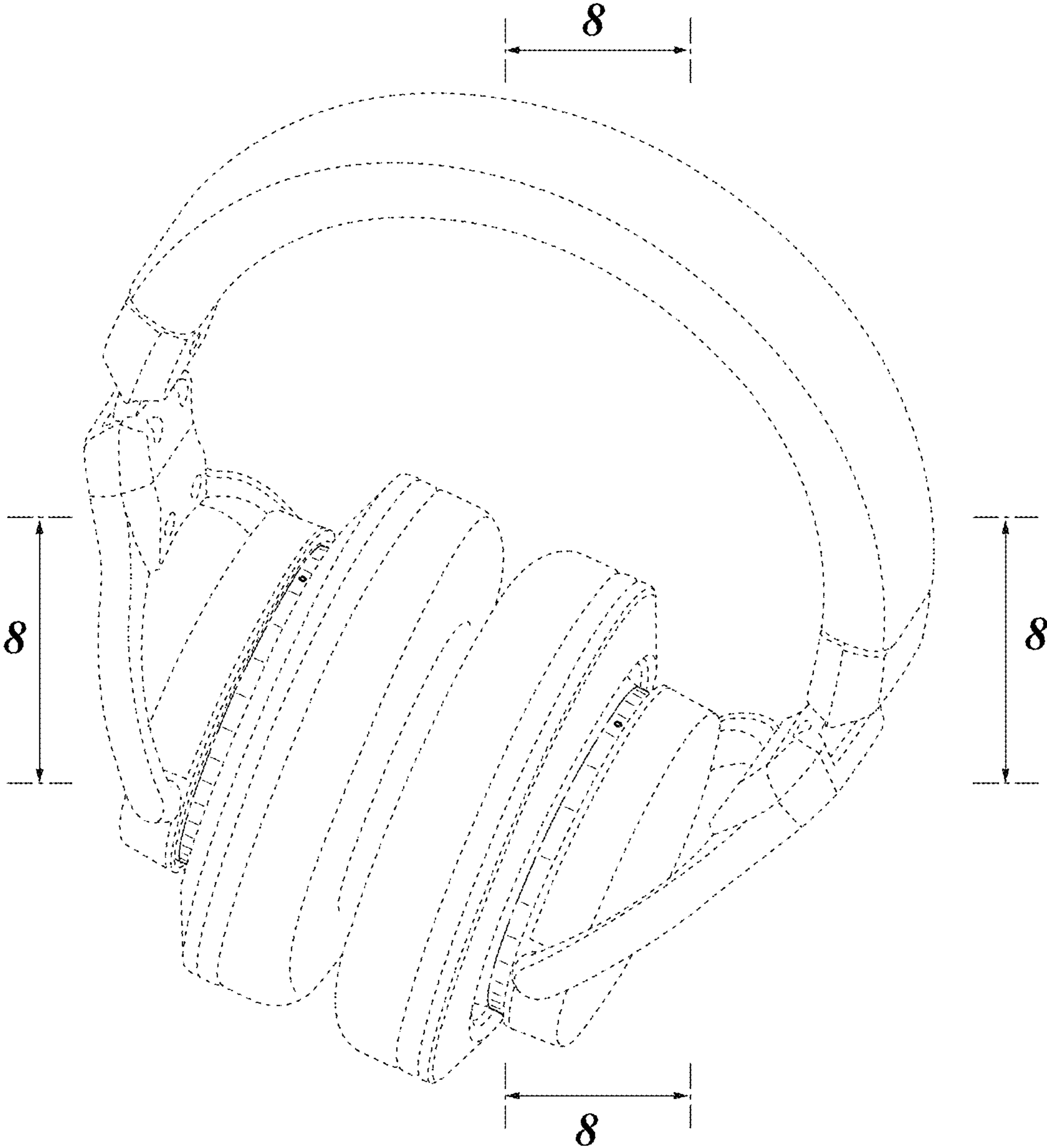


FIG. 2

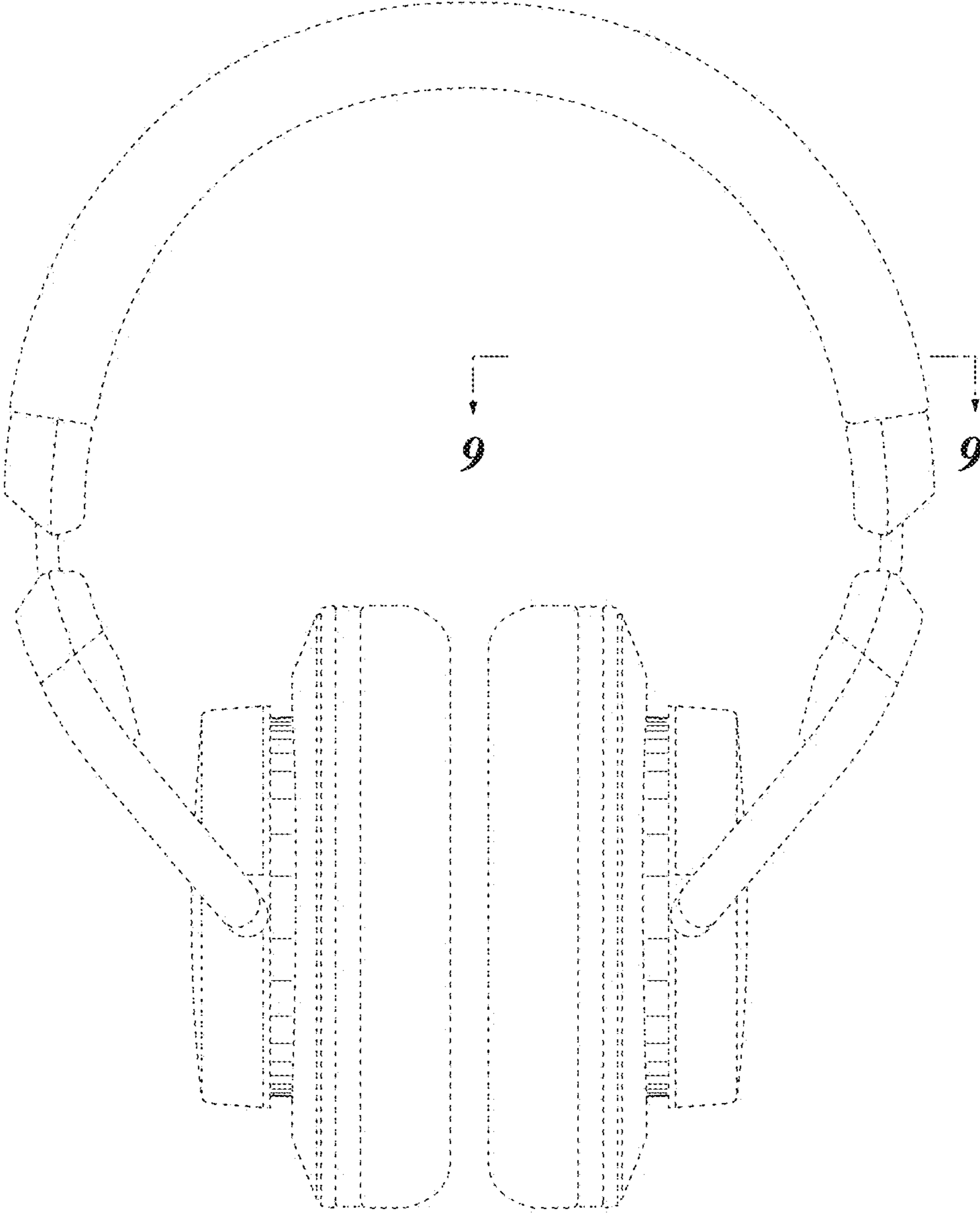


FIG. 3

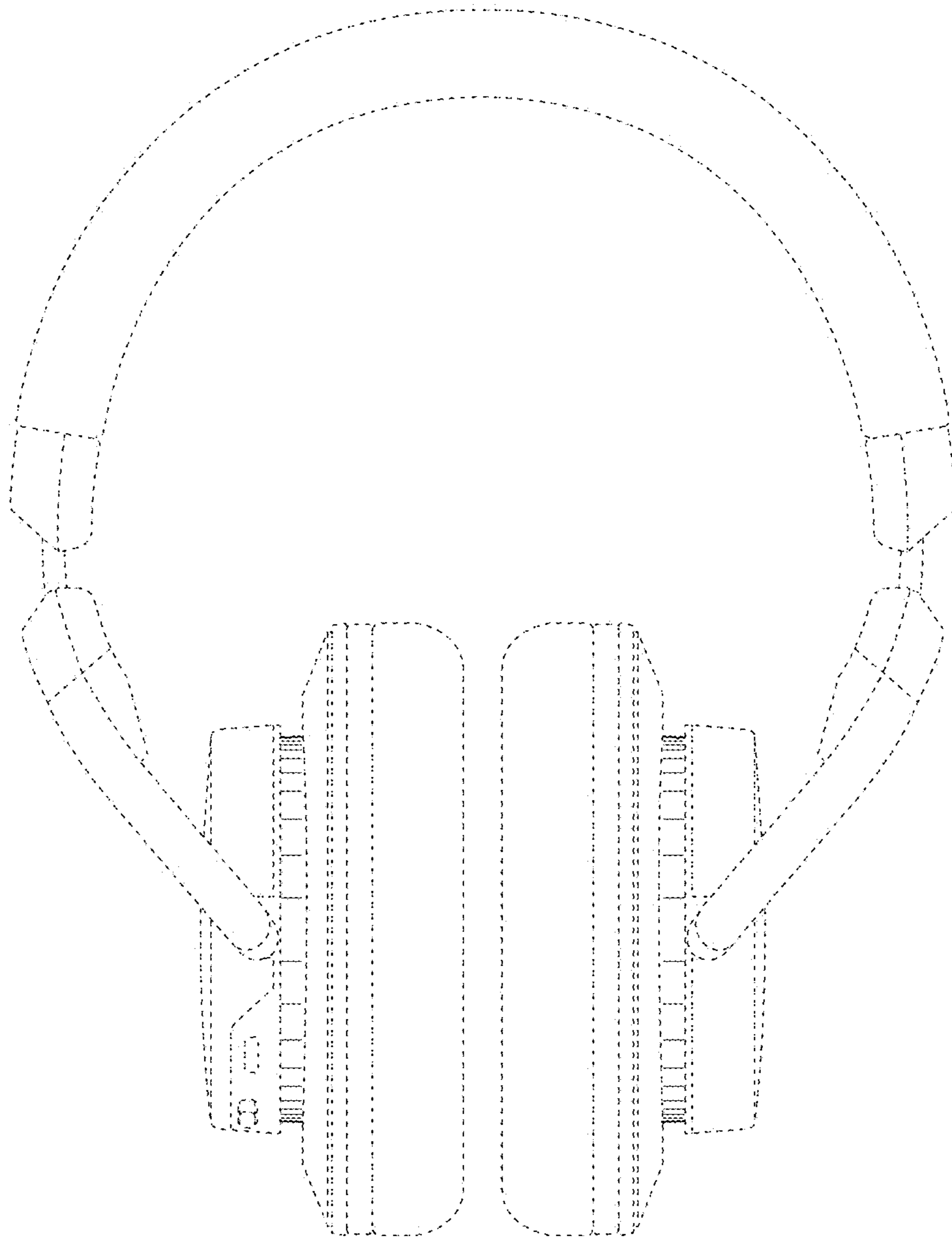


FIG. 4

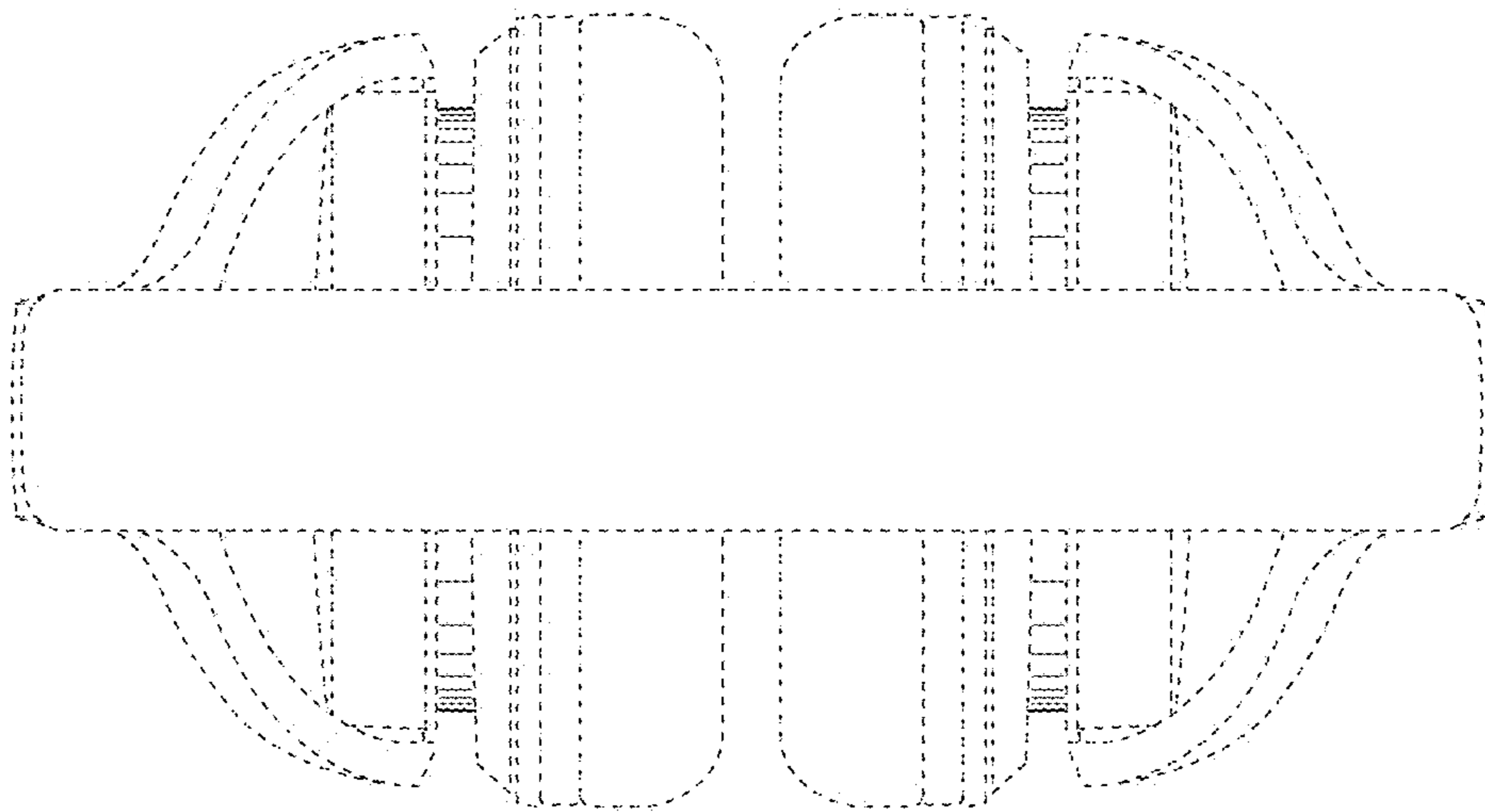


FIG. 5

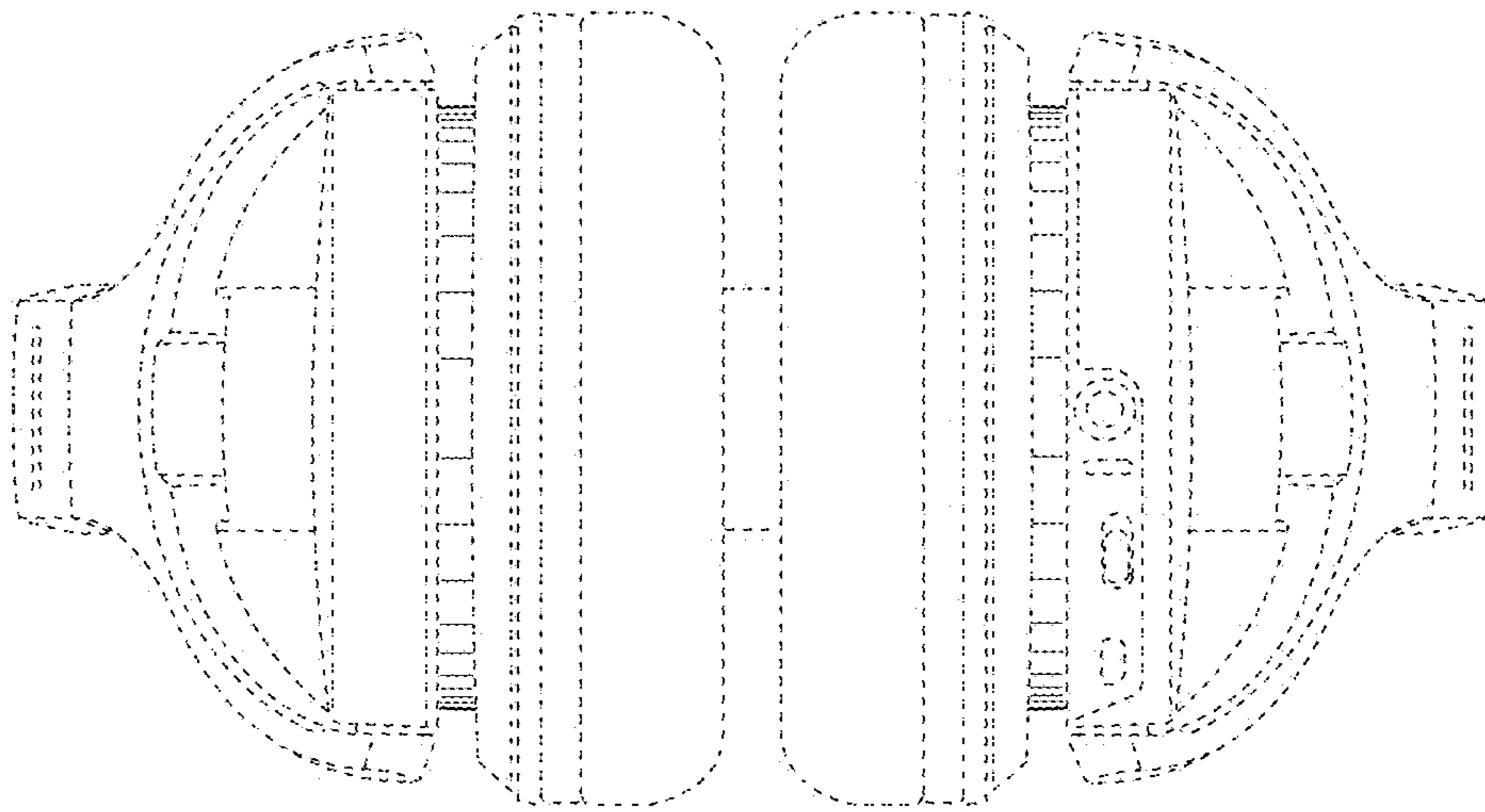


FIG. 6

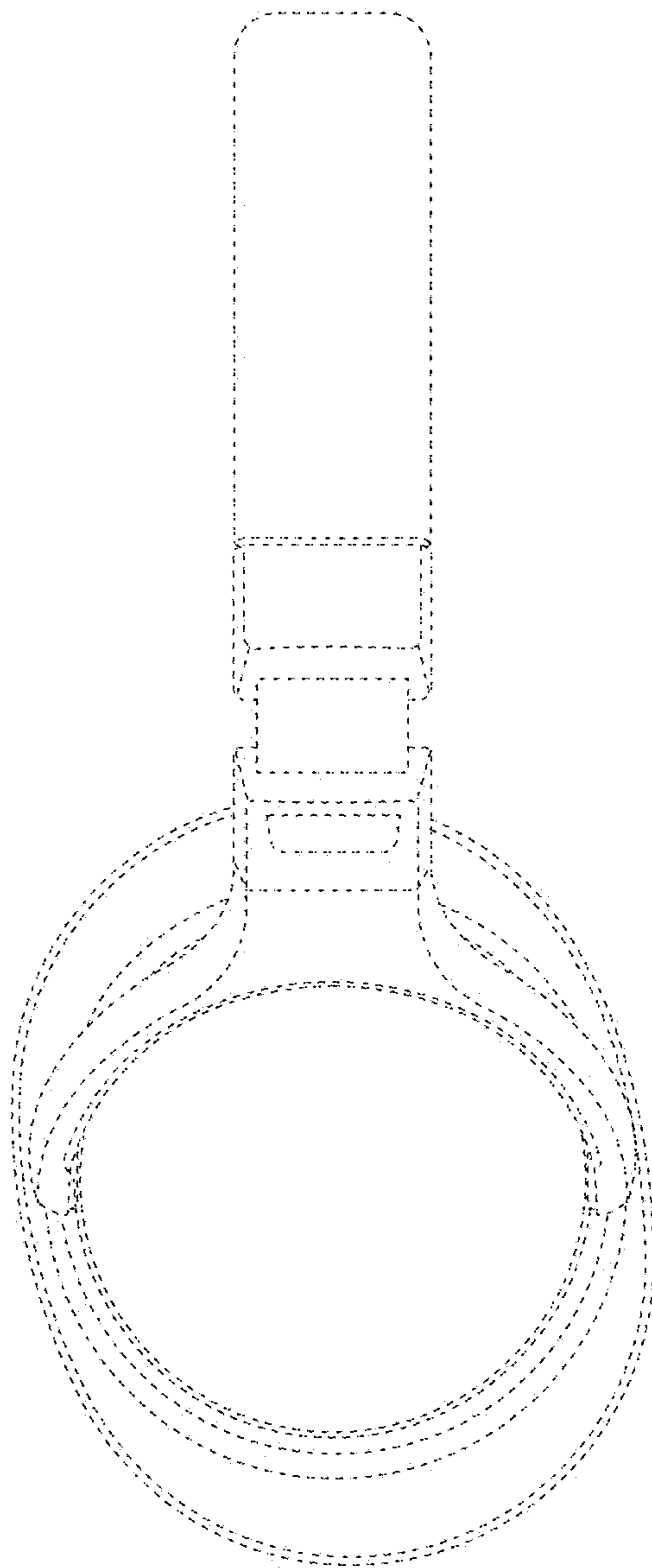


FIG. 7

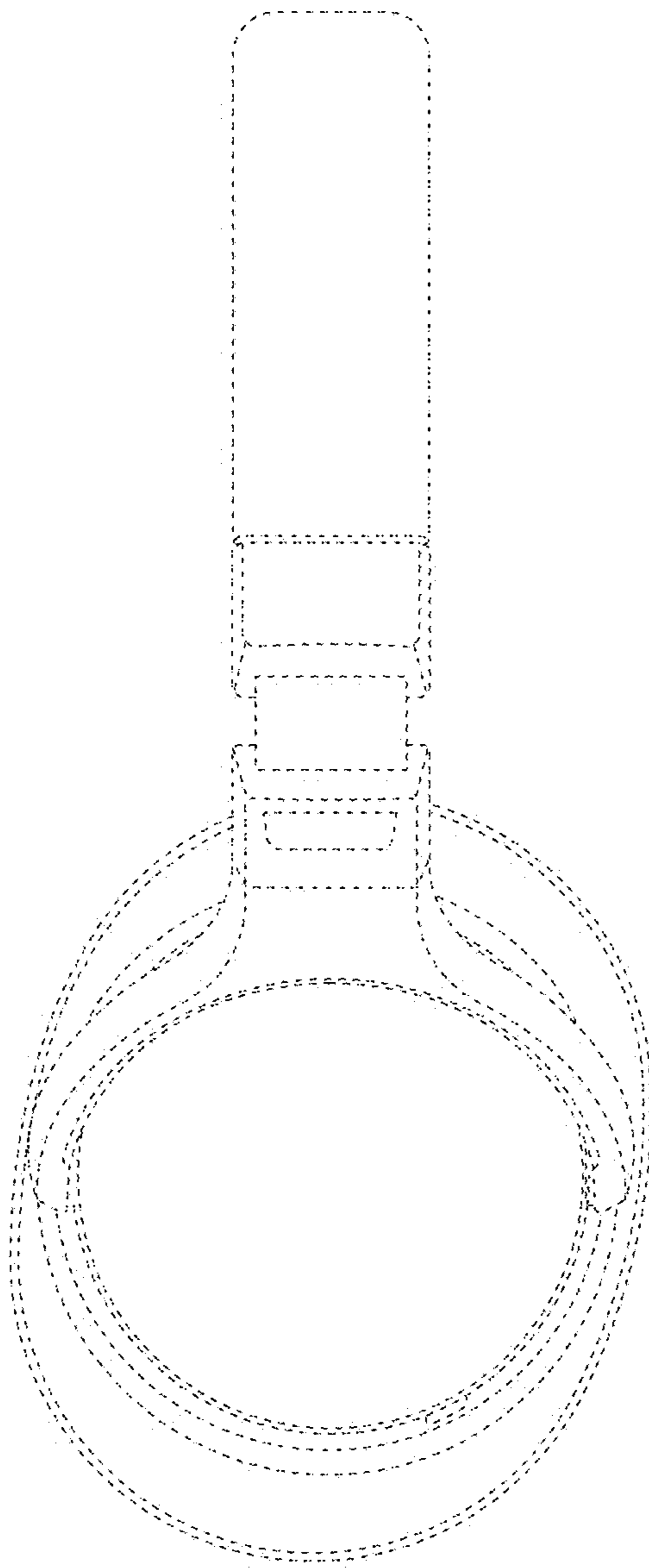


FIG. 8

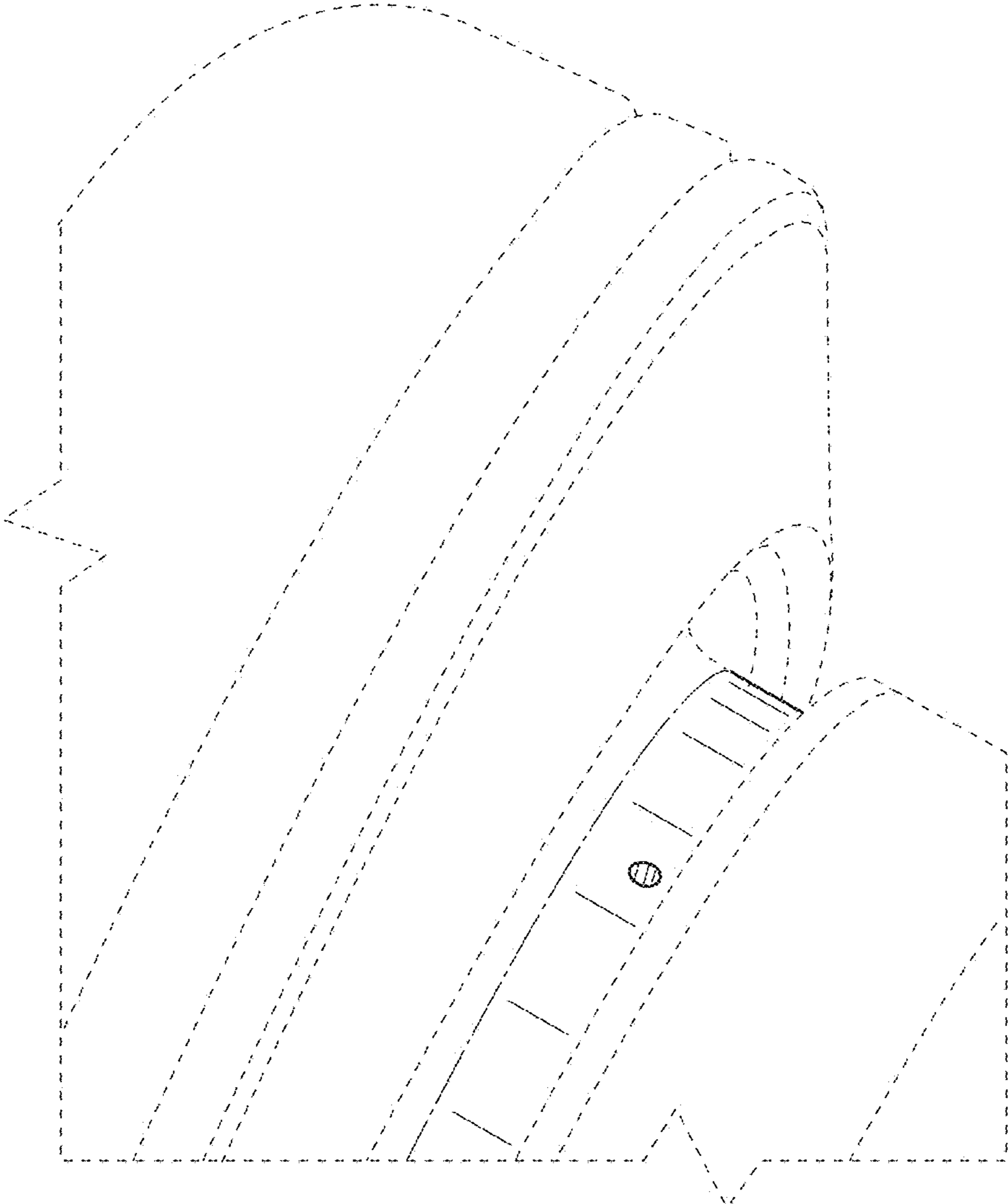


FIG. 9

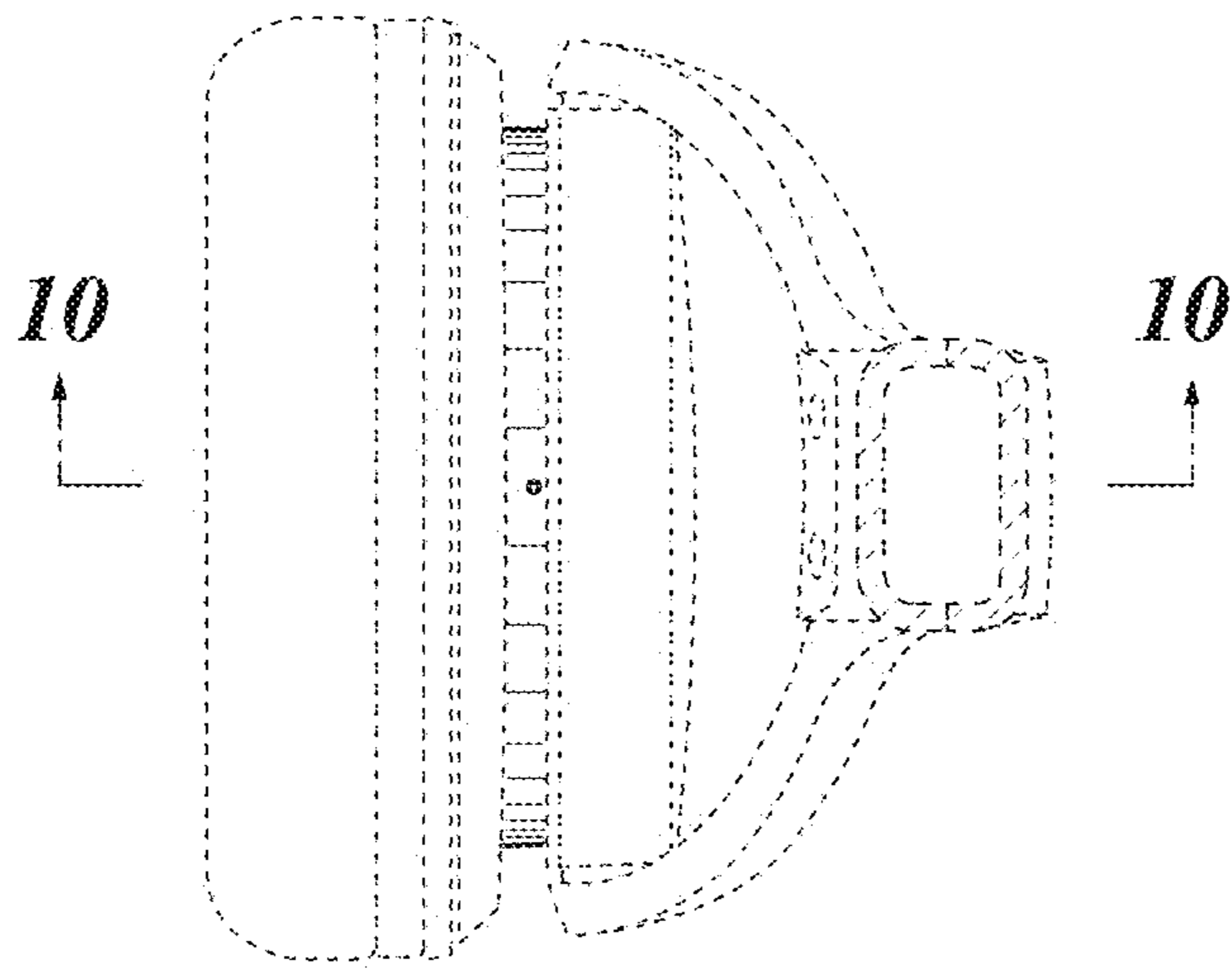


FIG. 10

