



US00D875063S

(12) **United States Design Patent**  
**Du**

(10) **Patent No.:** **US D875,063 S**

(45) **Date of Patent:** **\*\* Feb. 11, 2020**

(54) **IN-CAR BLUETOOTH MP3**

(56) **References Cited**

(71) Applicant: **DONGGUAN PINMI ELECTRONIC TECHNOLOGY CO., LTD.**,  
Guangdong (CN)

U.S. PATENT DOCUMENTS

(72) Inventor: **Zhanyuan Du**, Henan (CN)

D506,455 S *	6/2005	Bey .....	D13/144
D524,285 S *	7/2006	Dayan .....	D14/155
D544,440 S *	6/2007	Dayan .....	D13/110
D548,719 S *	8/2007	Dayan .....	D14/155
D550,197 S *	9/2007	Dayan .....	D14/155
D556,730 S *	12/2007	Yokoyama .....	D14/155
D800,684 S *	10/2017	Xiao .....	D14/155
D812,033 S *	3/2018	Yin .....	D14/155
D842,261 S *	3/2019	Chen .....	D14/155
D864,144 S *	10/2019	Du .....	D14/155

(73) Assignee: **DONGGUAN PINMI ELECTRONIC TECHNOLOGY CO., LTD.**,  
Dongguan, Guangdong (CN)

(\*\*) Term: **15 Years**

\* cited by examiner

(21) Appl. No.: **29/674,354**

*Primary Examiner* — Austin Murphy

(22) Filed: **Dec. 20, 2018**

(74) *Attorney, Agent, or Firm* — Muncy, Geissler, Olds & Lowe, P.C.

(30) **Foreign Application Priority Data**

(57) **CLAIM**

Sep. 26, 2018 (CN) ..... 2018 3 0539596

The ornamental design for an in-car bluetooth MP3, as shown and described.

(51) **LOC (12) Cl.** ..... **14-03**

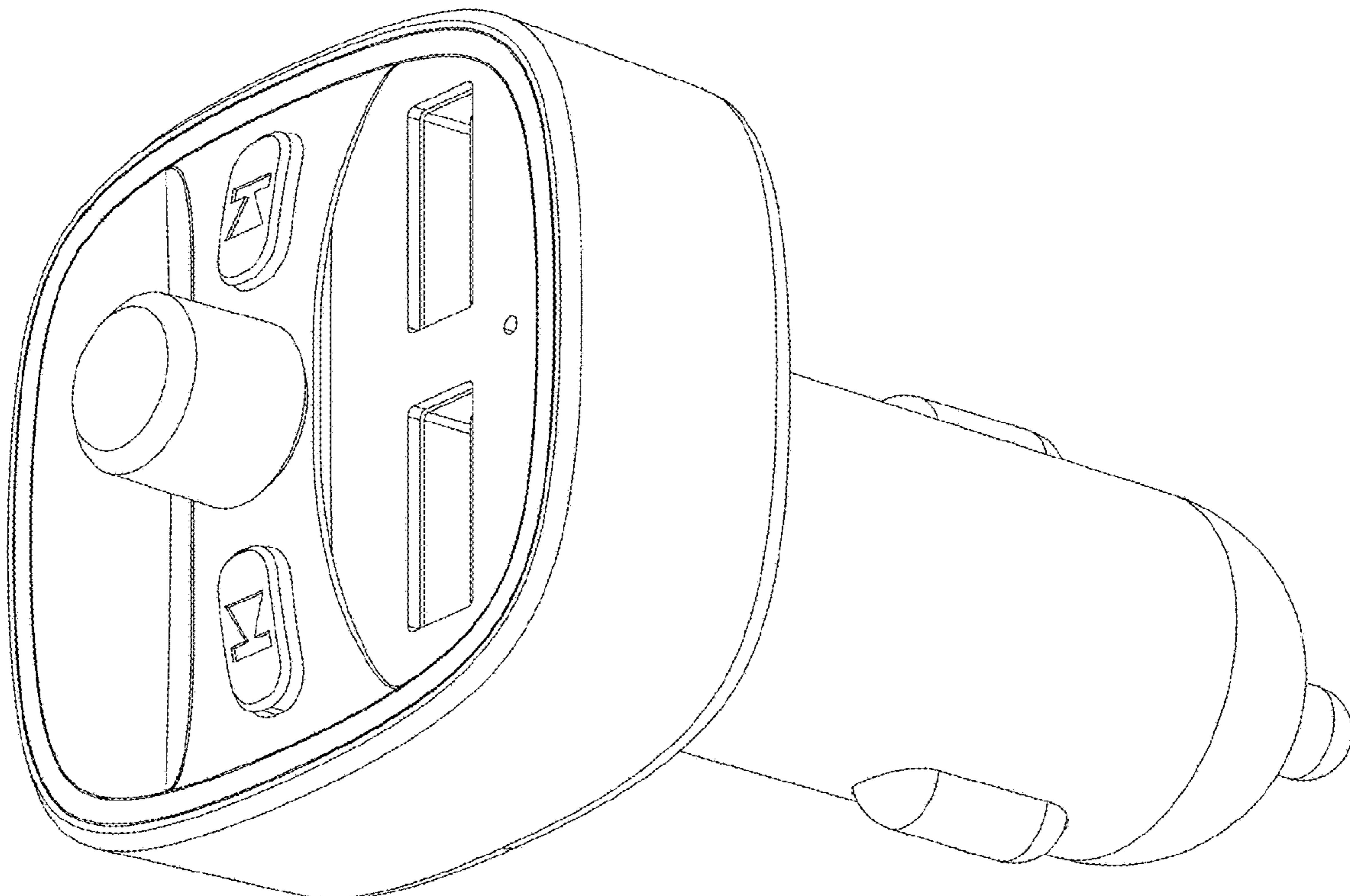
**DESCRIPTION**

(52) **U.S. Cl.**  
USPC ..... **D14/155**

(58) **Field of Classification Search**  
USPC ..... D14/167, 154, 168, 188, 496, 156, 160,  
D14/161, 162, 163, 164, 165, 158, 341,  
D14/346, 342, 345, 137, 155, 218, 225;  
D16/208; D26/38; 455/351, 350;  
D10/104.1, 106, 65  
CPC .... H04B 1/385; H04M 1/6091; H04M 1/6066  
See application file for complete search history.

FIG. 1 is a Perspective view of an in-car bluetooth MP3 showing my new design;  
FIG. 2 is a Front elevational view thereof;  
FIG. 3 is a Rear elevational view thereof;  
FIG. 4 is a Left side view thereof;  
FIG. 5 is a Right side view thereof;  
FIG. 6 is a Top plan view thereof; and,  
FIG. 7 is a Bottom plan view thereof.

**1 Claim, 7 Drawing Sheets**



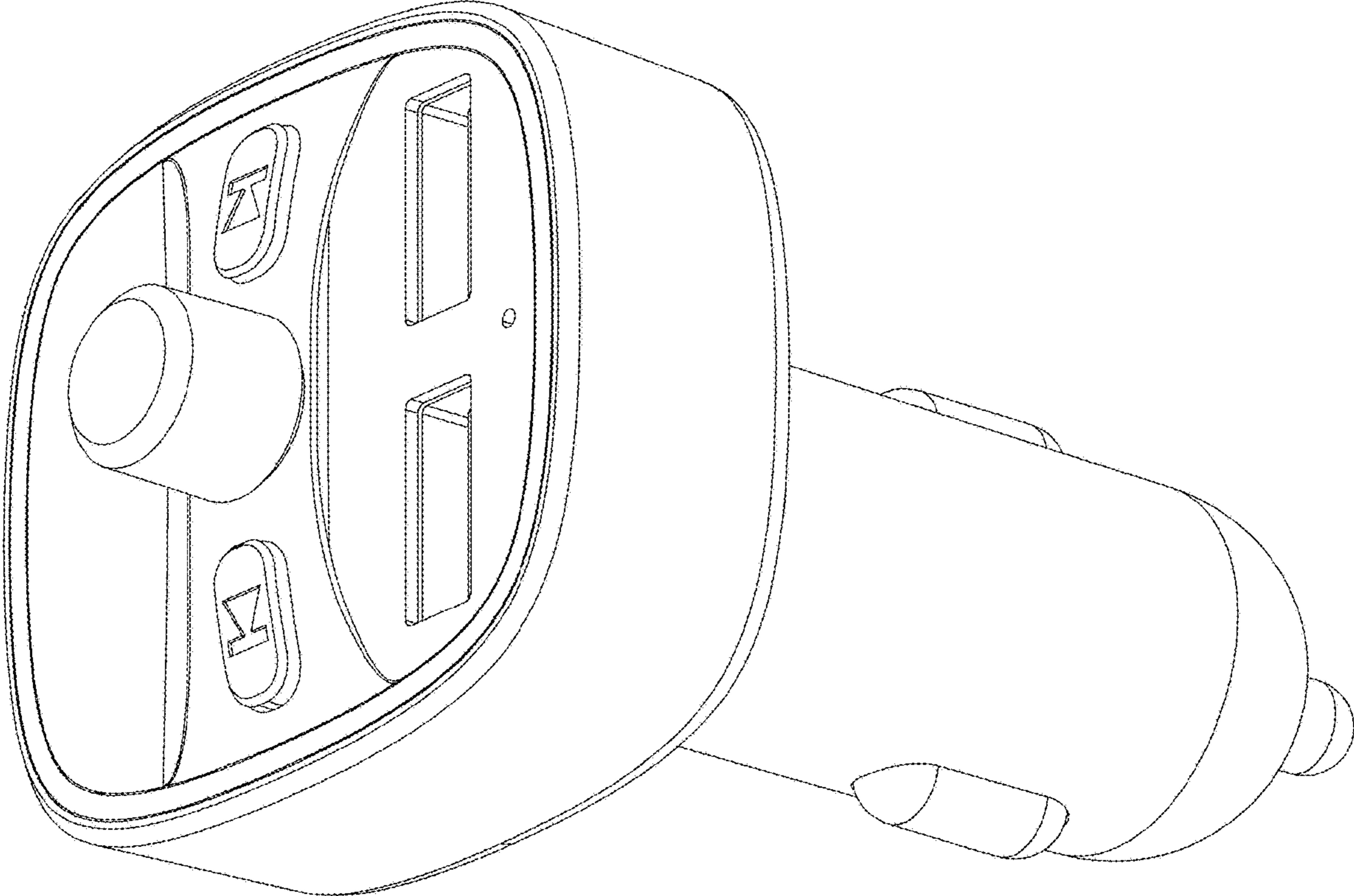


Fig. 1

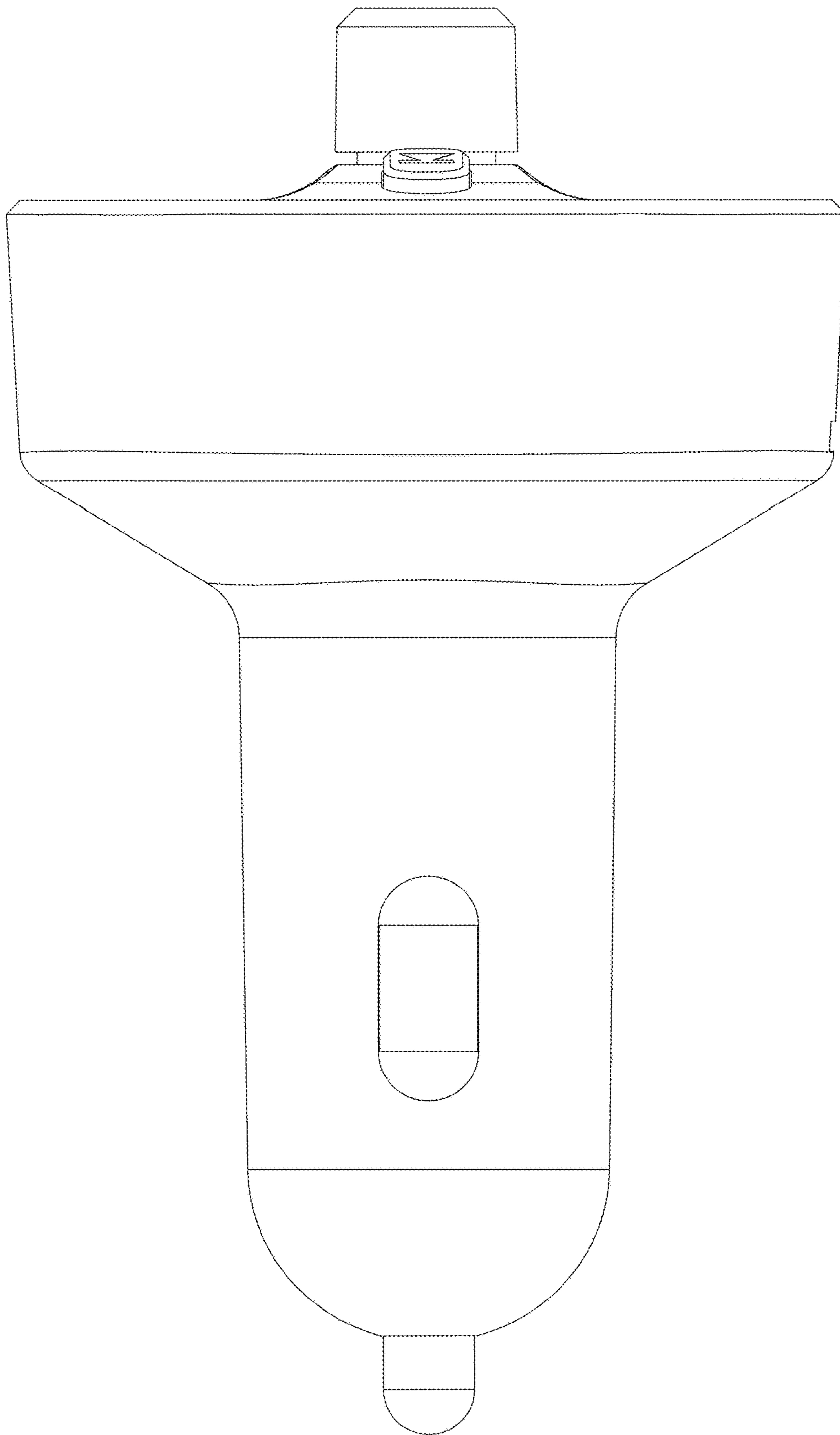


Fig. 2

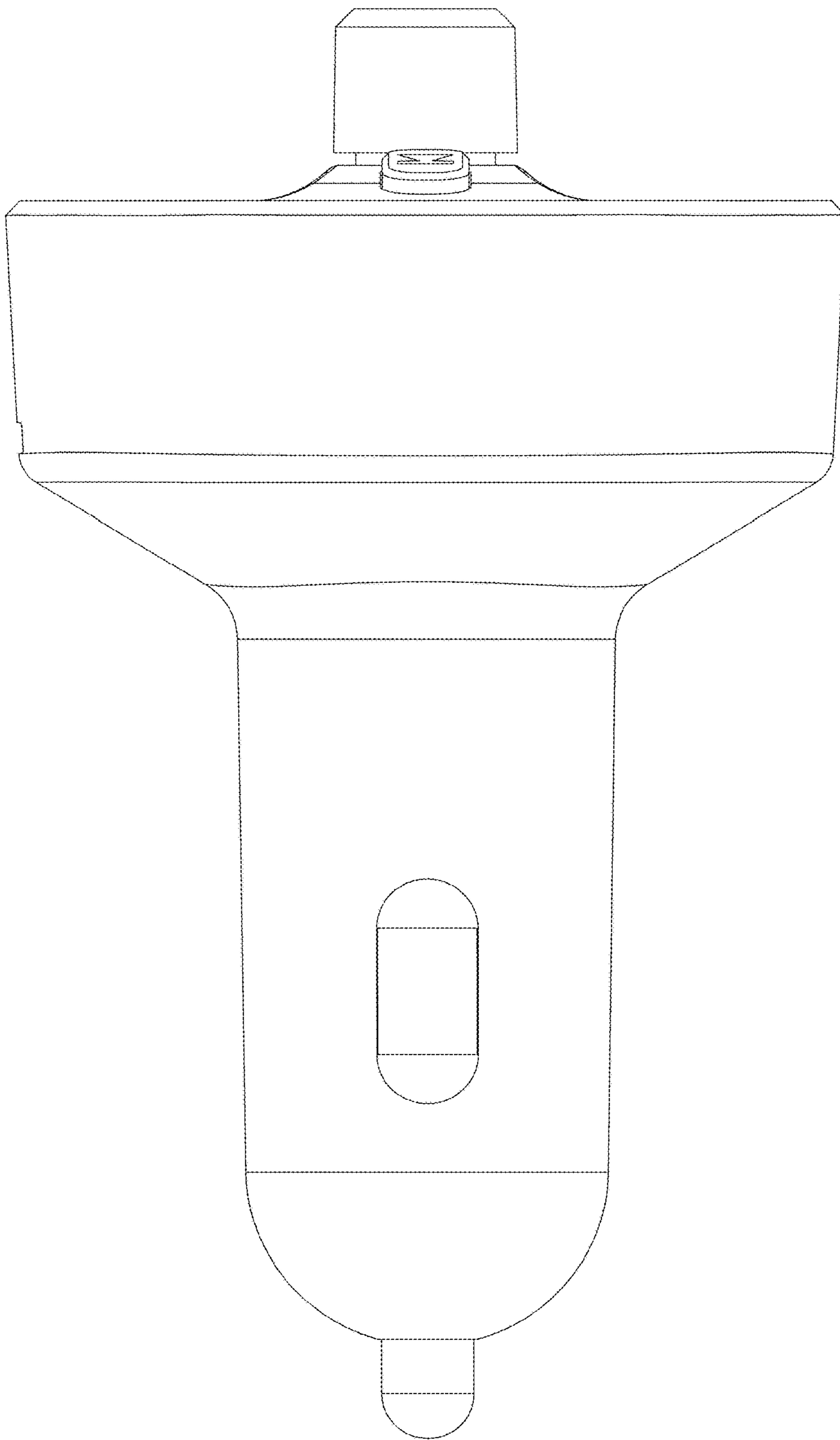


Fig. 3

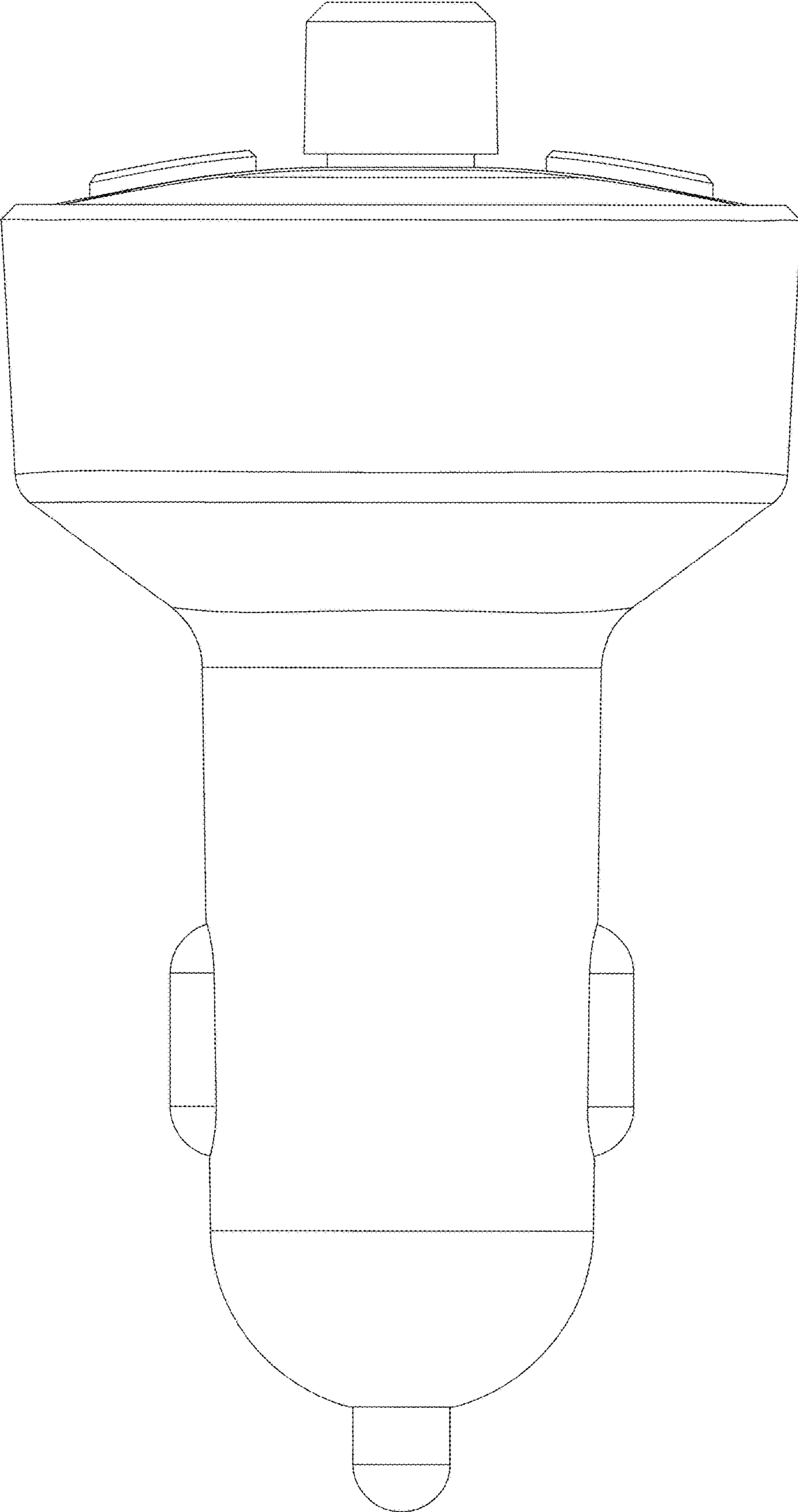


Fig. 4

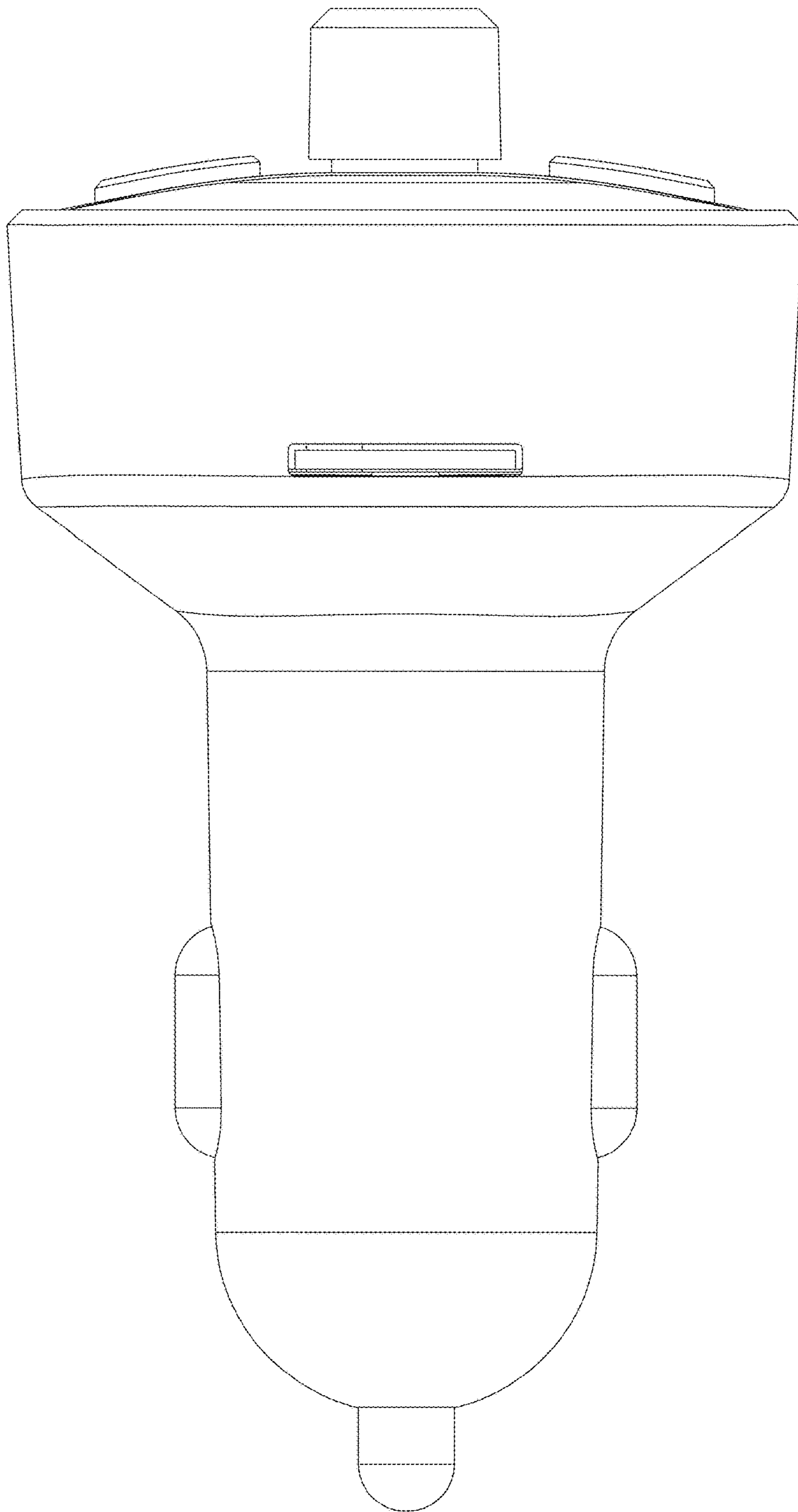


Fig. 5

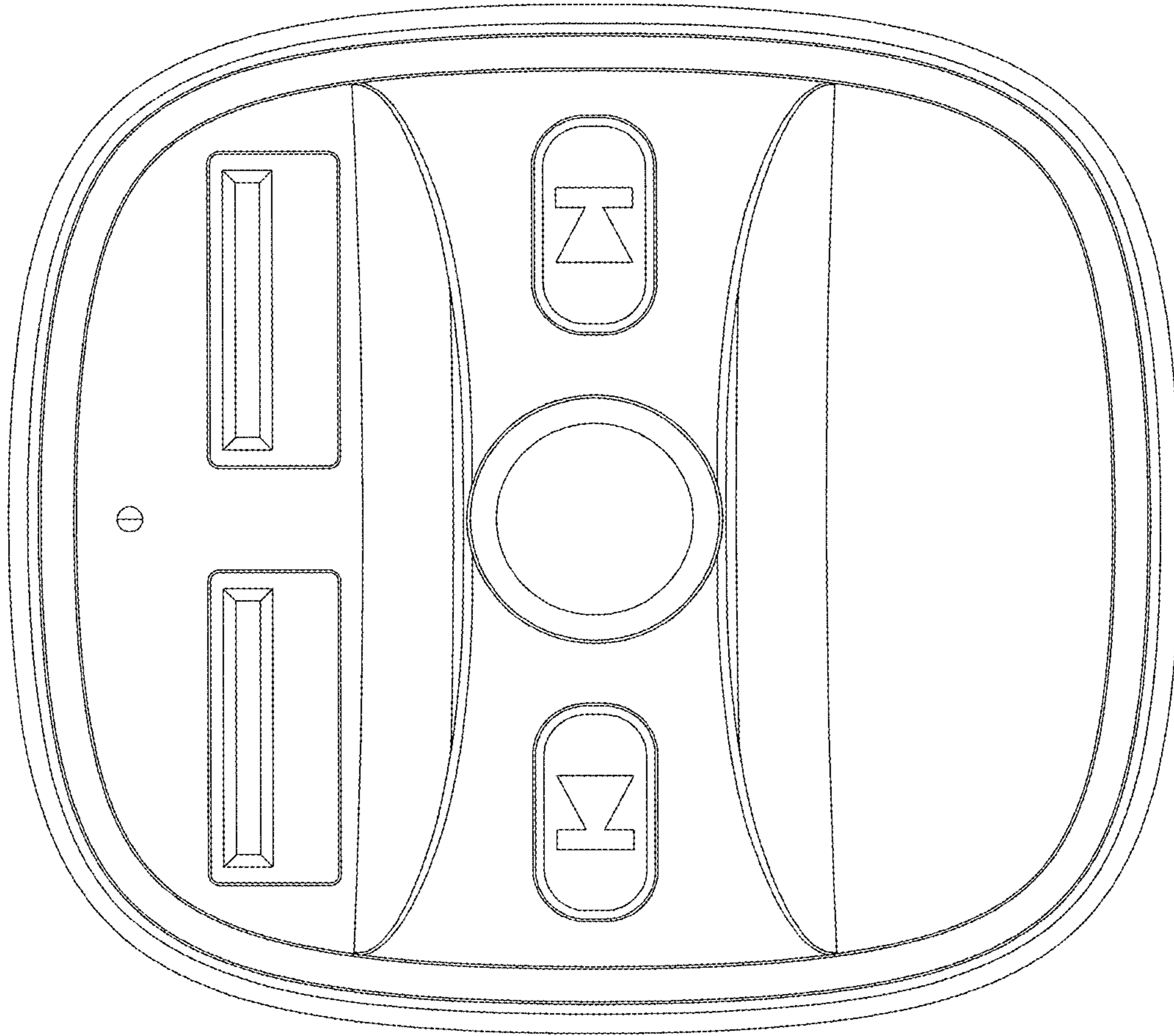


Fig. 6

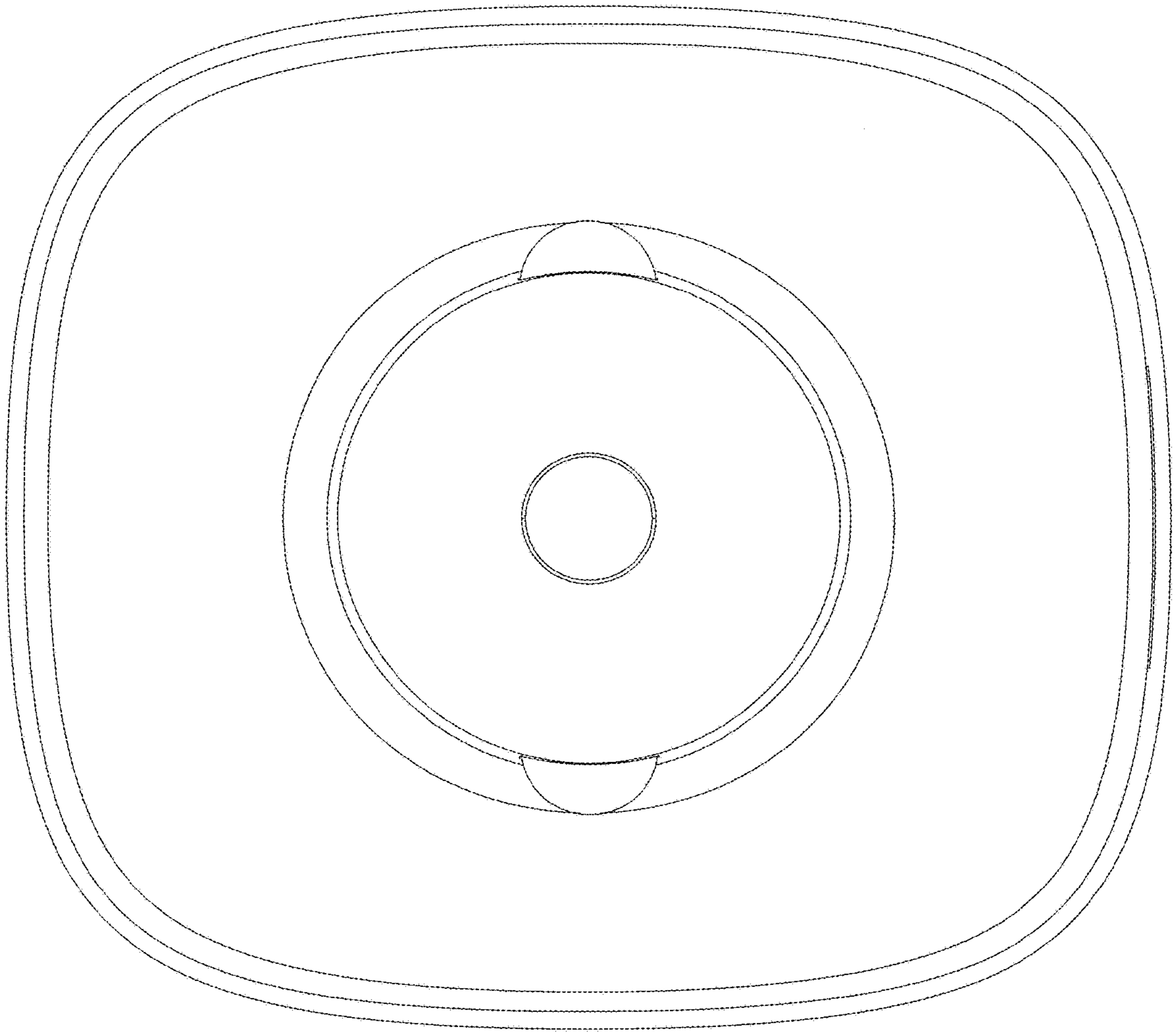


Fig. 7