



US00D875051S

(12) **United States Design Patent** (10) **Patent No.:** **US D875,051 S**  
**Watkins** (45) **Date of Patent:** **\*\* Feb. 11, 2020**

(54) **TORQUE SLEEVE**  
(71) Applicant: **PPC Broadband, Inc.**, East Syracuse, NY (US)  
(72) Inventor: **Harold Watkins**, Chittenango, NY (US)  
(73) Assignee: **PPC BROADBAND, INC.**, East Syracuse, NY (US)  
(\*\*) Term: **15 Years**

D756,183 S 5/2016 Yeh  
D804,426 S \* 12/2017 Watkins ..... D13/151  
D810,024 S \* 2/2018 Watkins ..... D13/133  
D810,025 S \* 2/2018 Watkins ..... D13/133  
D810,684 S \* 2/2018 Watkins ..... D13/133  
D810,685 S \* 2/2018 Watkins ..... D13/133  
D834,531 S \* 11/2018 Maroney ..... D13/154  
D834,532 S \* 11/2018 Maroney ..... D13/154  
D834,533 S \* 11/2018 Maroney ..... D13/154  
D837,743 S \* 1/2019 Maroney ..... D13/154  
D837,744 S \* 1/2019 Maroney ..... D13/154  
D838,249 S \* 1/2019 Maroney ..... D13/154  
D839,213 S \* 1/2019 Maroney ..... D13/154

(21) Appl. No.: **29/668,434**  
(22) Filed: **Oct. 30, 2018**  
(51) **LOC (12) Cl.** ..... **13-03**  
(52) **U.S. Cl.**  
USPC ..... **D13/154; D13/133; D13/150**  
(58) **Field of Classification Search**  
USPC .... D13/107–110, 137.1–137.4, 138.1–138.2,  
D13/139.1–139.8, 149–157, 199, 133;  
D14/432, 433, 435.1; D8/350, 353–356  
CPC .... H01R 25/00; H01R 25/003; H01R 25/006;  
H01R 11/00; H01R 9/00; H01R 13/5845;  
H01R 13/72; H01R 13/46; H01R 31/06;  
H01R 24/28; H02J 2007/0062; H01B  
7/2806; A61F 2/962  
See application file for complete search history.

**OTHER PUBLICATIONS**

Nov. 20, 2019 Office Action issued in Taiwan Application No. 108302494.

\* cited by examiner

*Primary Examiner* — Rosemary K Tarcza  
*Assistant Examiner* — Christy M Nemeth  
(74) *Attorney, Agent, or Firm* — Oliff PLC

(57) **CLAIM**

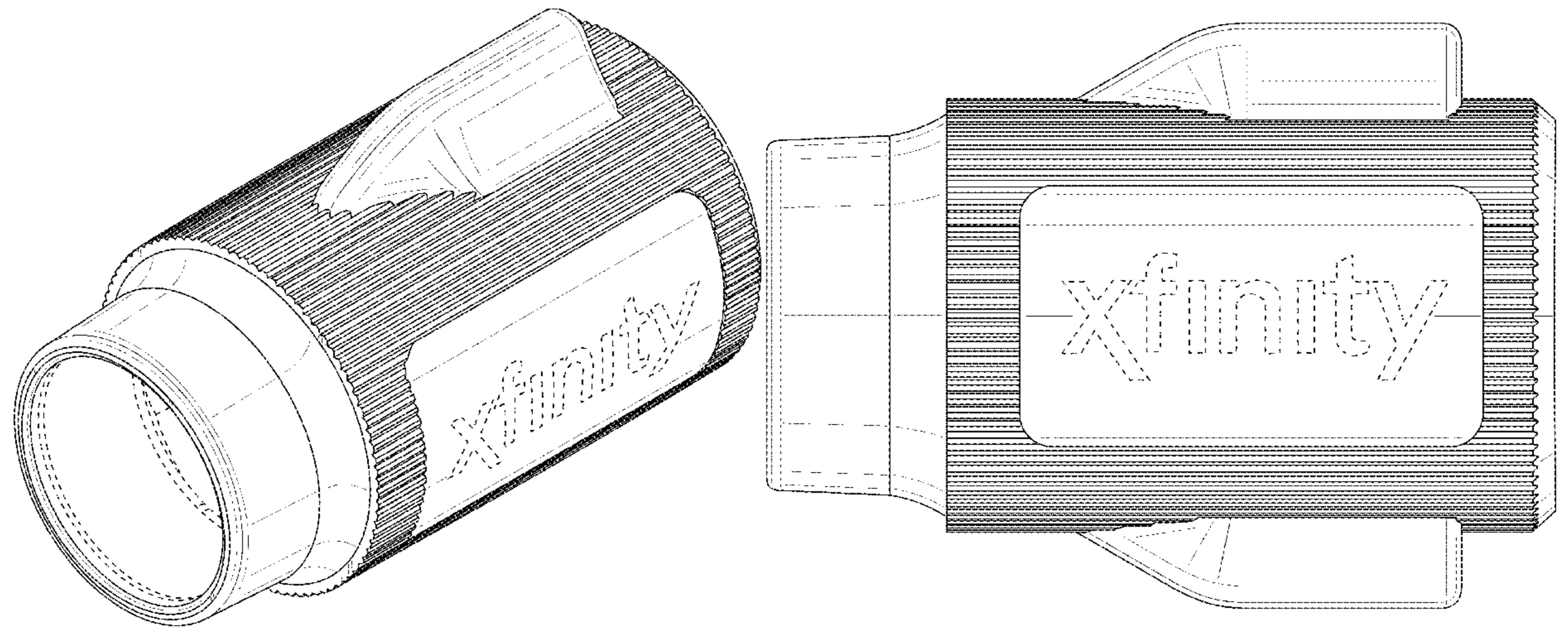
The ornamental design for a torque sleeve, as shown and described.

**DESCRIPTION**

FIG. 1 is a front, top, left-side view of the torque sleeve; FIG. 2 is a left-side elevational view thereof; FIG. 3 is a right-side elevational view thereof; FIG. 4 is a top plan view thereof; FIG. 5 is a bottom plan view thereof; FIG. 6 is a front elevational view thereof; and, FIG. 7 is a rear elevational view thereof. The broken lines in the drawings depict portions of the torque sleeve that form no part of the claimed design.

**1 Claim, 7 Drawing Sheets**

(56) **References Cited**  
U.S. PATENT DOCUMENTS  
D458,904 S \* 6/2002 Montena ..... D13/154  
D460,739 S \* 7/2002 Fox ..... D13/154  
D472,114 S 3/2003 Palecki et al.  
D538,750 S \* 3/2007 Montena ..... D13/133  
D573,426 S 7/2008 DeRuntz et al.  
D665,237 S 8/2012 Wei  
D709,343 S 7/2014 Huang  
D749,384 S 2/2016 Chang



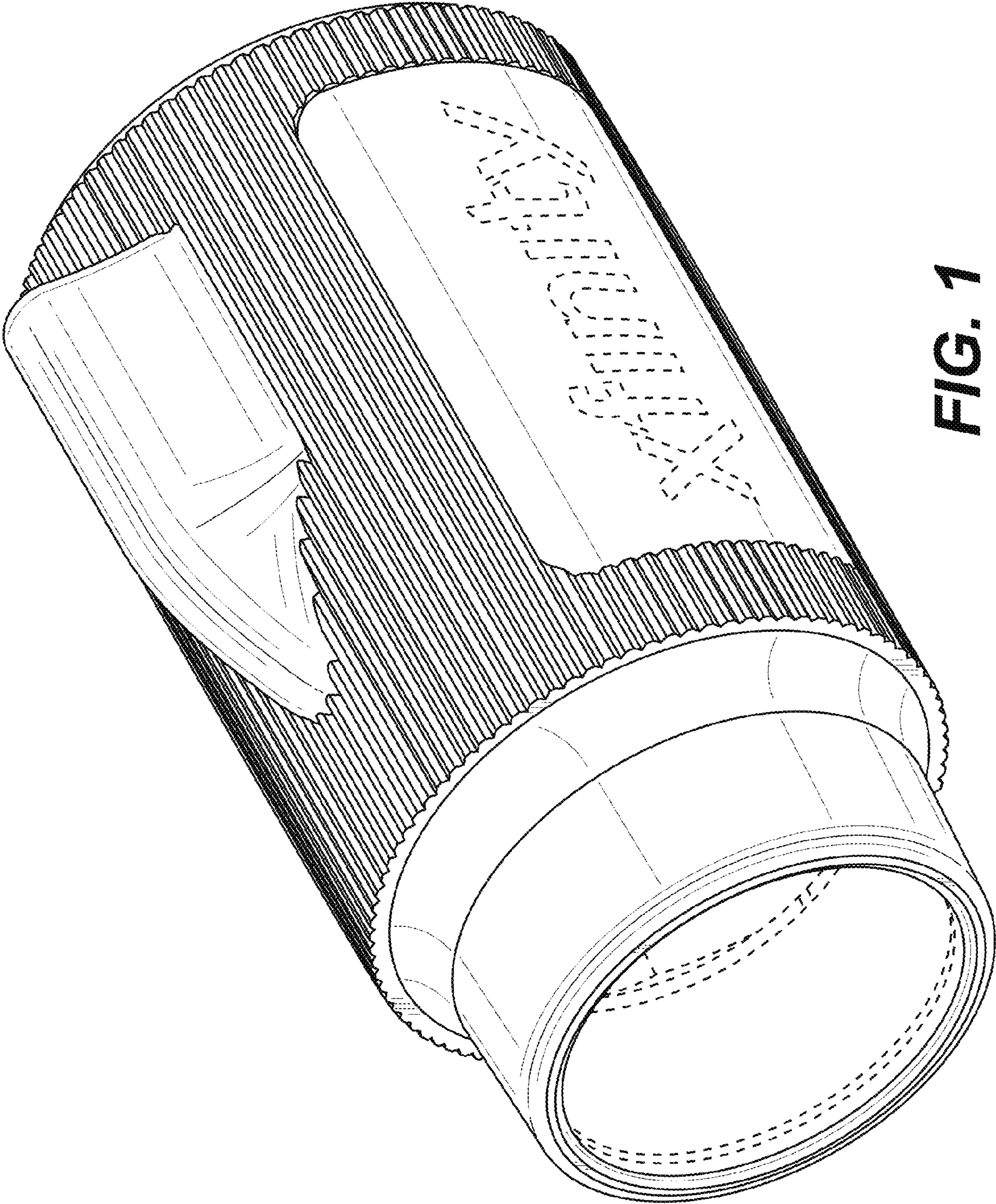
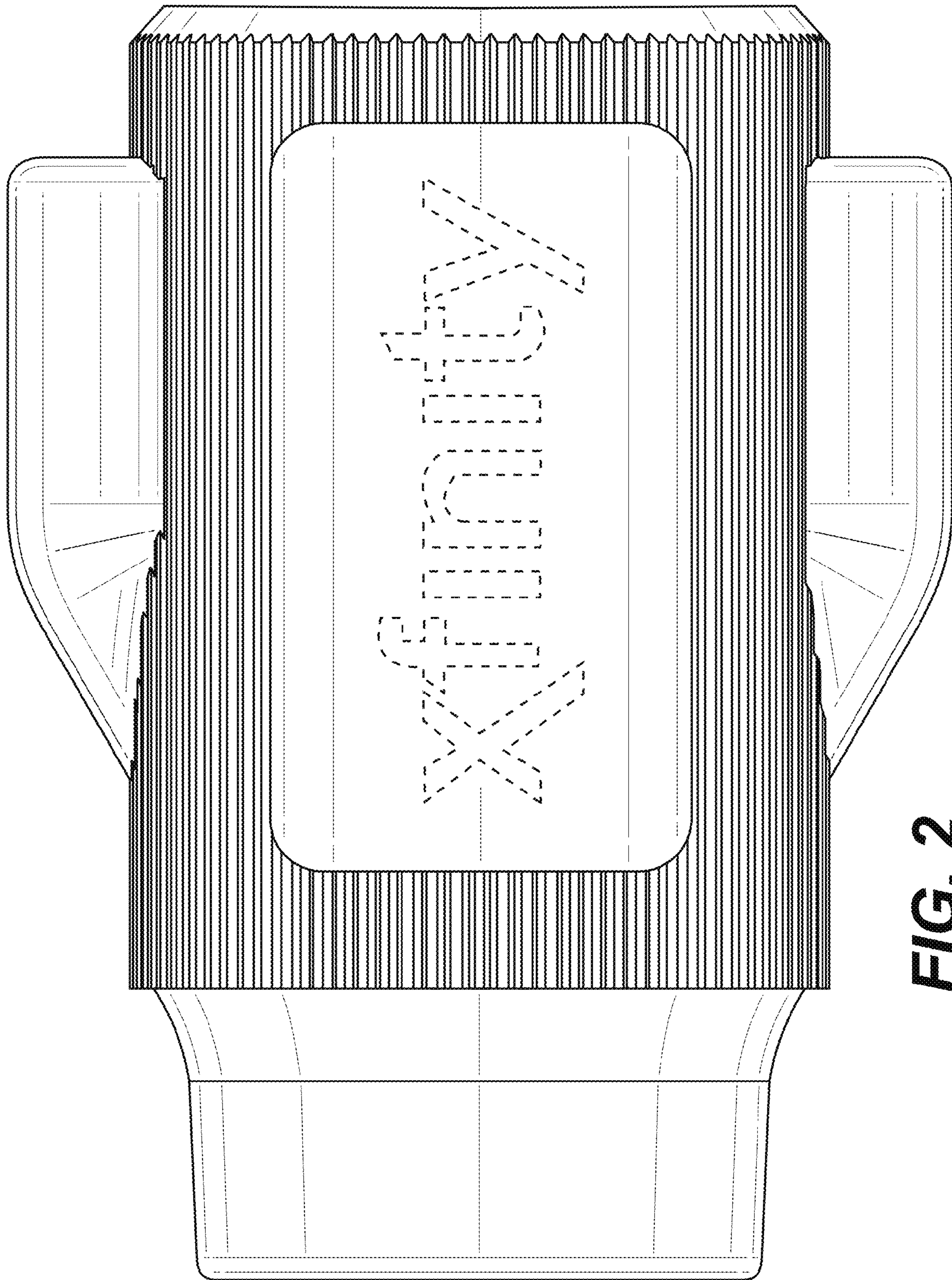
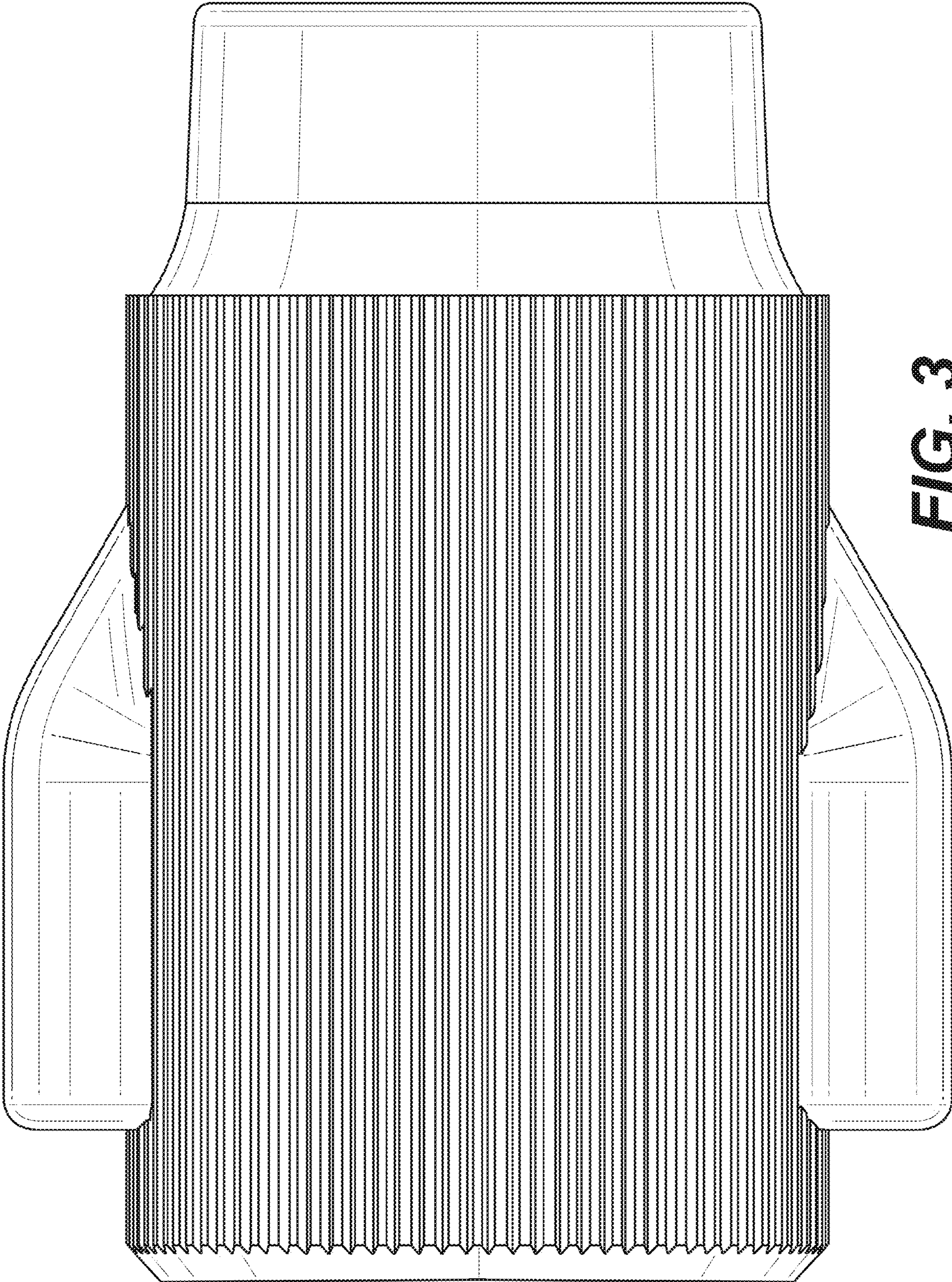


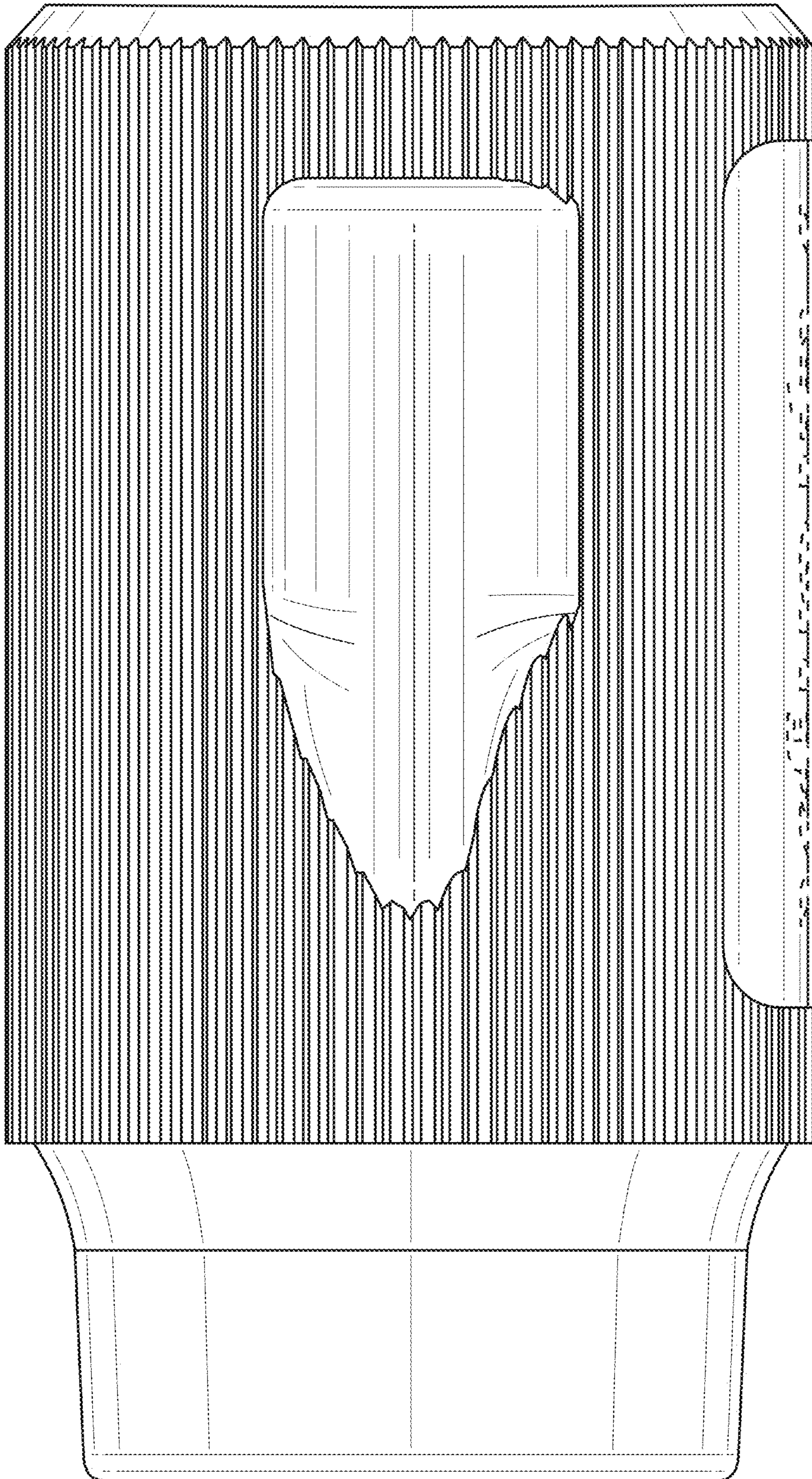
FIG. 1



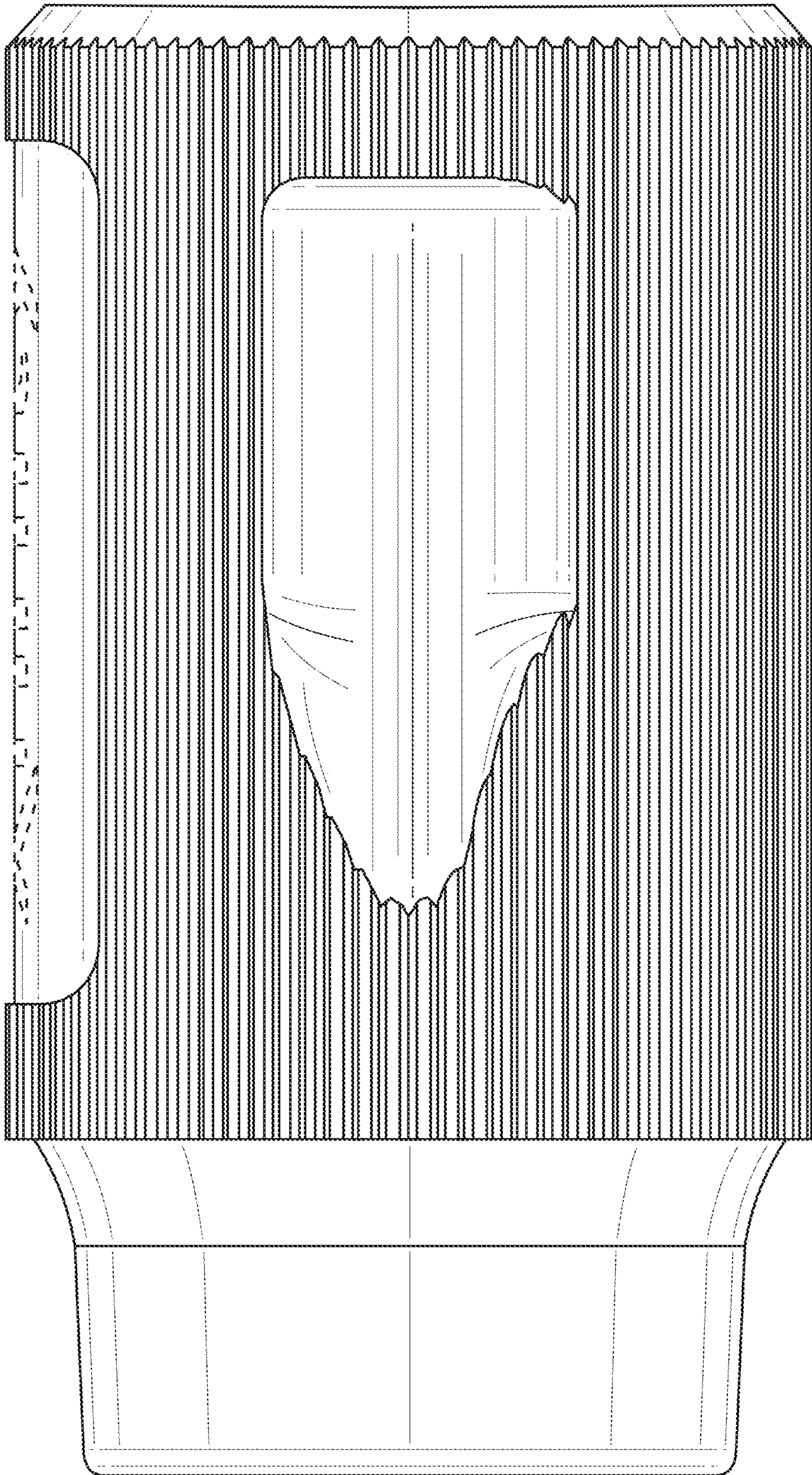
**FIG. 2**



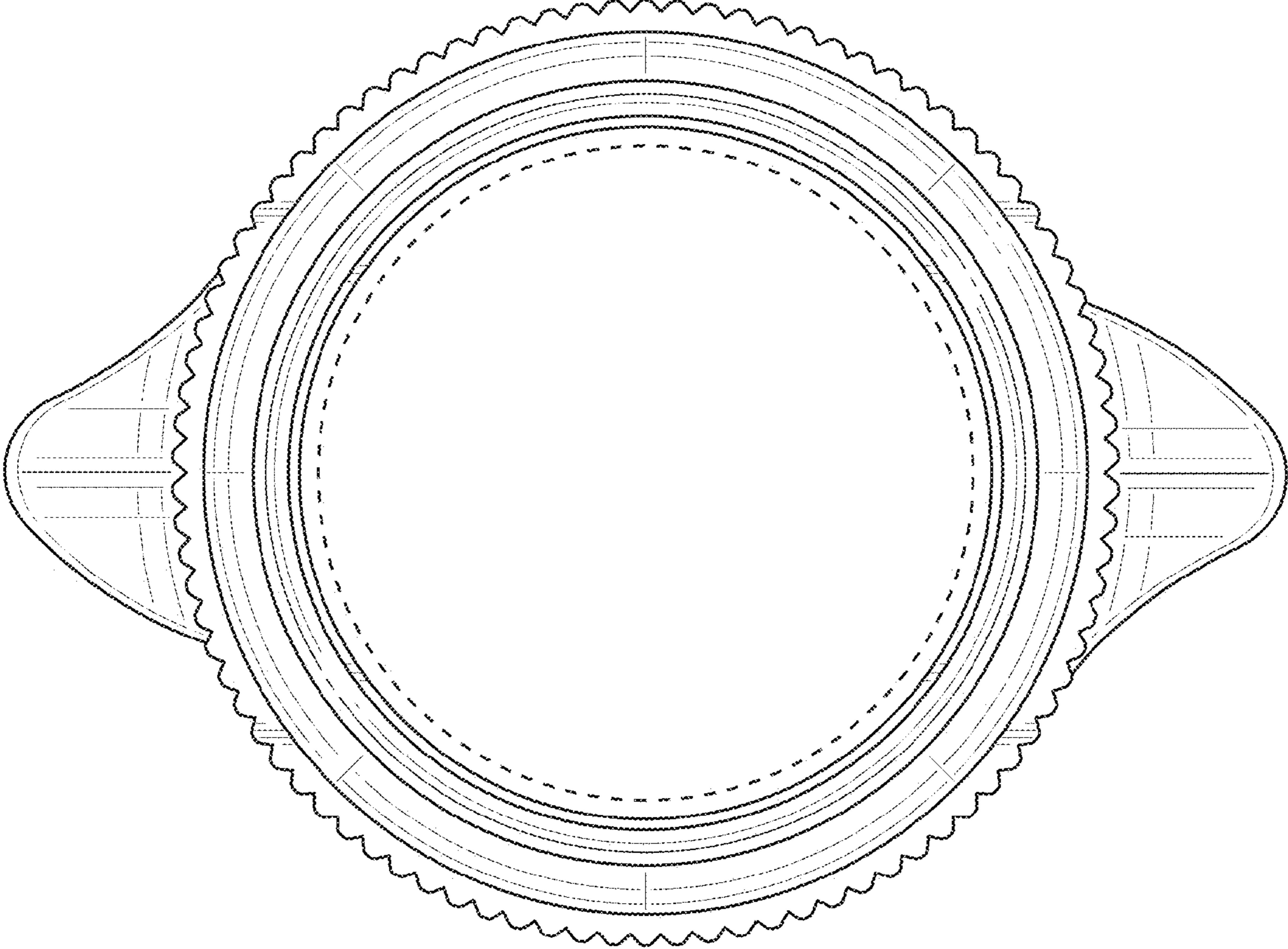
**FIG. 3**



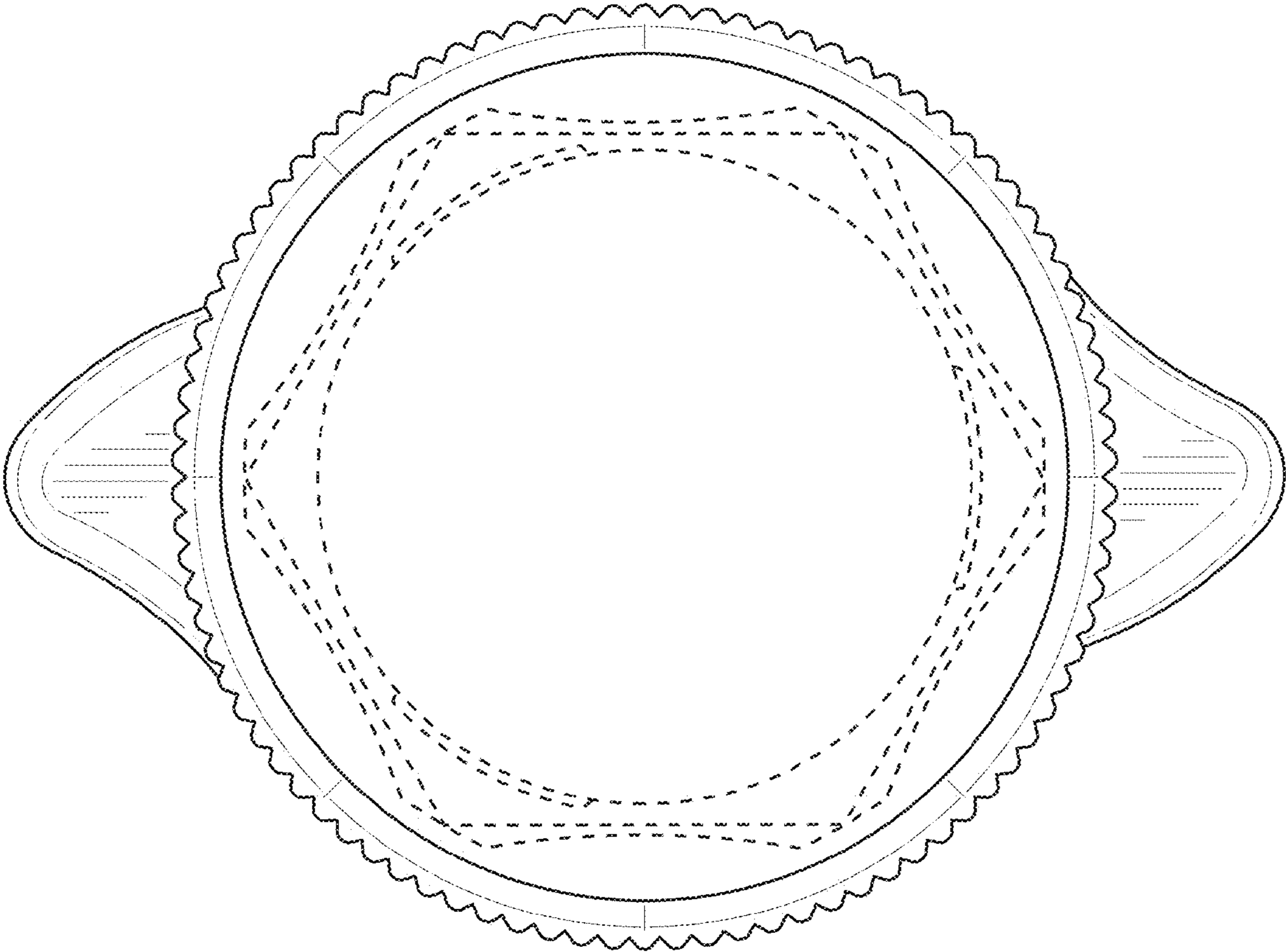
**FIG. 4**



**FIG. 5**



**FIG. 6**



**FIG. 7**