



US00D875050S

(12) **United States Design Patent**
Cheng

(10) **Patent No.:** **US D875,050 S**

(45) **Date of Patent:** **** Feb. 11, 2020**

(54) **SOCKET**

(71) Applicant: **Chi-Wen Cheng**, Dongguan (CN)

(72) Inventor: **Chi-Wen Cheng**, Dongguan (CN)

(**) Term: **15 Years**

(21) Appl. No.: **29/672,180**

(22) Filed: **Dec. 4, 2018**

(51) **LOC (12) Cl.** **13-03**

(52) **U.S. Cl.**
USPC **D13/139.8**

(58) **Field of Classification Search**
USPC D13/139.1–139.8, 137.1–137.4,
D13/138.1–138.2, 110, 156, 108
CPC H01R 13/6666
See application file for complete search history.

(56) **References Cited**

U.S. PATENT DOCUMENTS

D270,629 S *	9/1983	Drew	D13/139.7
D368,467 S *	4/1996	Parshad	D13/139.8
D400,175 S *	10/1998	Okamoto	D13/139.7
D409,978 S *	5/1999	Stekelenburg	D13/139.6
5,984,728 A *	11/1999	Chen	H01R 13/6666 439/535
D442,916 S *	5/2001	Tong	D13/137.2
D443,250 S *	6/2001	Lee	D13/139.8
D467,875 S *	12/2002	Barger	D13/139.8
D473,190 S *	4/2003	Fan	D13/139.8

D547,726 S *	7/2007	Ng	D13/139.8
D549,656 S *	8/2007	Hsiao	D13/139.8
D554,064 S *	10/2007	Ng	D13/139.8
D576,553 S *	9/2008	Lee	D13/139.6
D682,214 S *	5/2013	Miller	D13/139.8
D682,215 S *	5/2013	Miller	D13/139.8
D765,033 S *	8/2016	Oosterman	D13/139.1
D814,420 S *	4/2018	Chen	D13/137.2
D816,038 S *	4/2018	Lu	D13/137.3
D828,304 S *	9/2018	Chen	D13/139.8
D840,936 S *	2/2019	Nassif	D13/139.6

* cited by examiner

Primary Examiner — Rhea Shields

(74) *Attorney, Agent, or Firm* — Leong C. Lei

(57) **CLAIM**

The ornamental design for a socket, as shown and described.

DESCRIPTION

FIG. 1 is a perspective view of a socket showing my new design;

FIG. 2 is a front elevational view thereof;

FIG. 3 is a rear elevational view thereof;

FIG. 4 is a left side elevational view thereof;

FIG. 5 is a right side elevational view thereof;

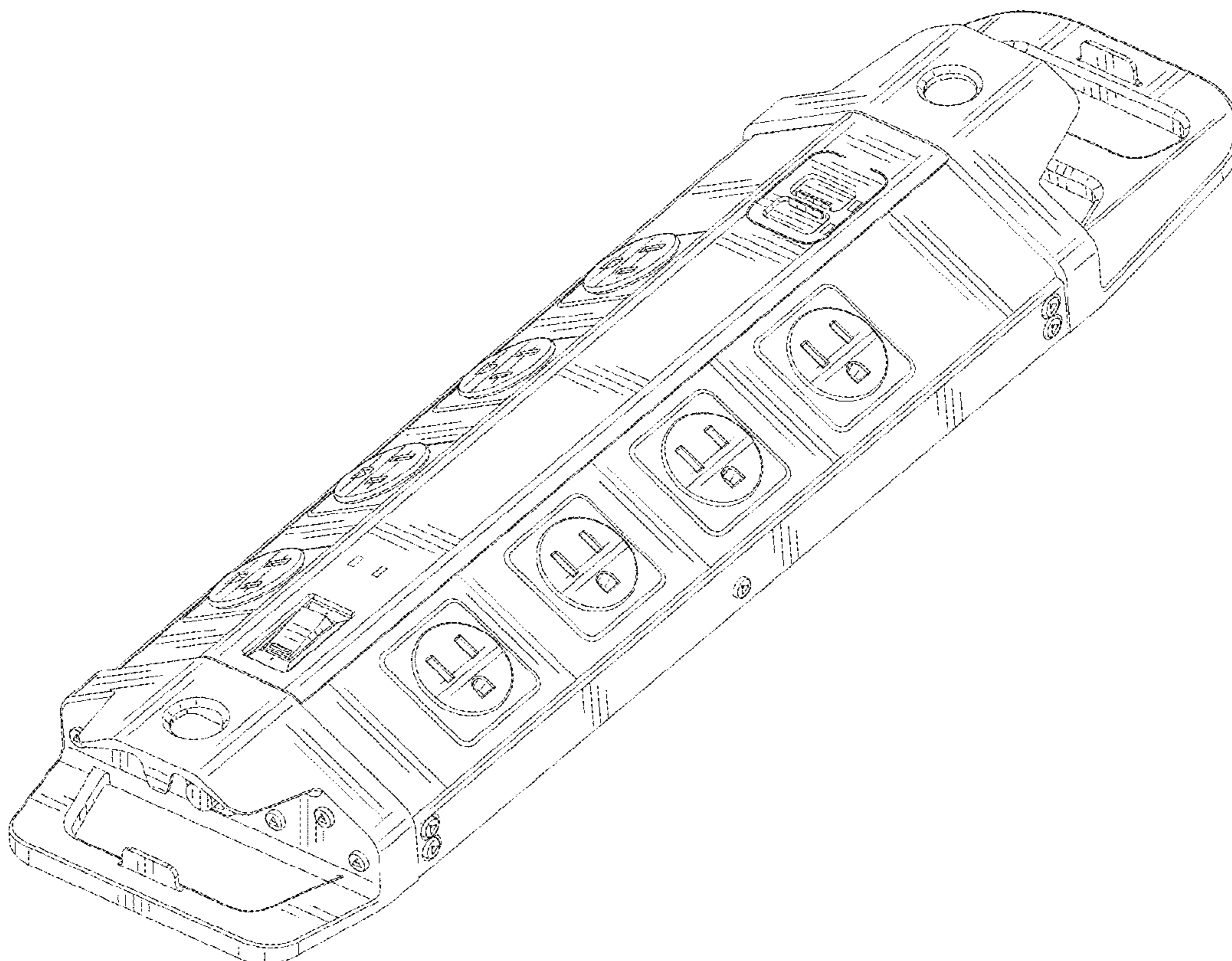
FIG. 6 is a top plan view thereof;

FIG. 7 is a bottom plan view thereof;

FIG. 8 is a top and left side perspective view; and,

FIG. 9 is a bottom and right side perspective view.

1 Claim, 9 Drawing Sheets



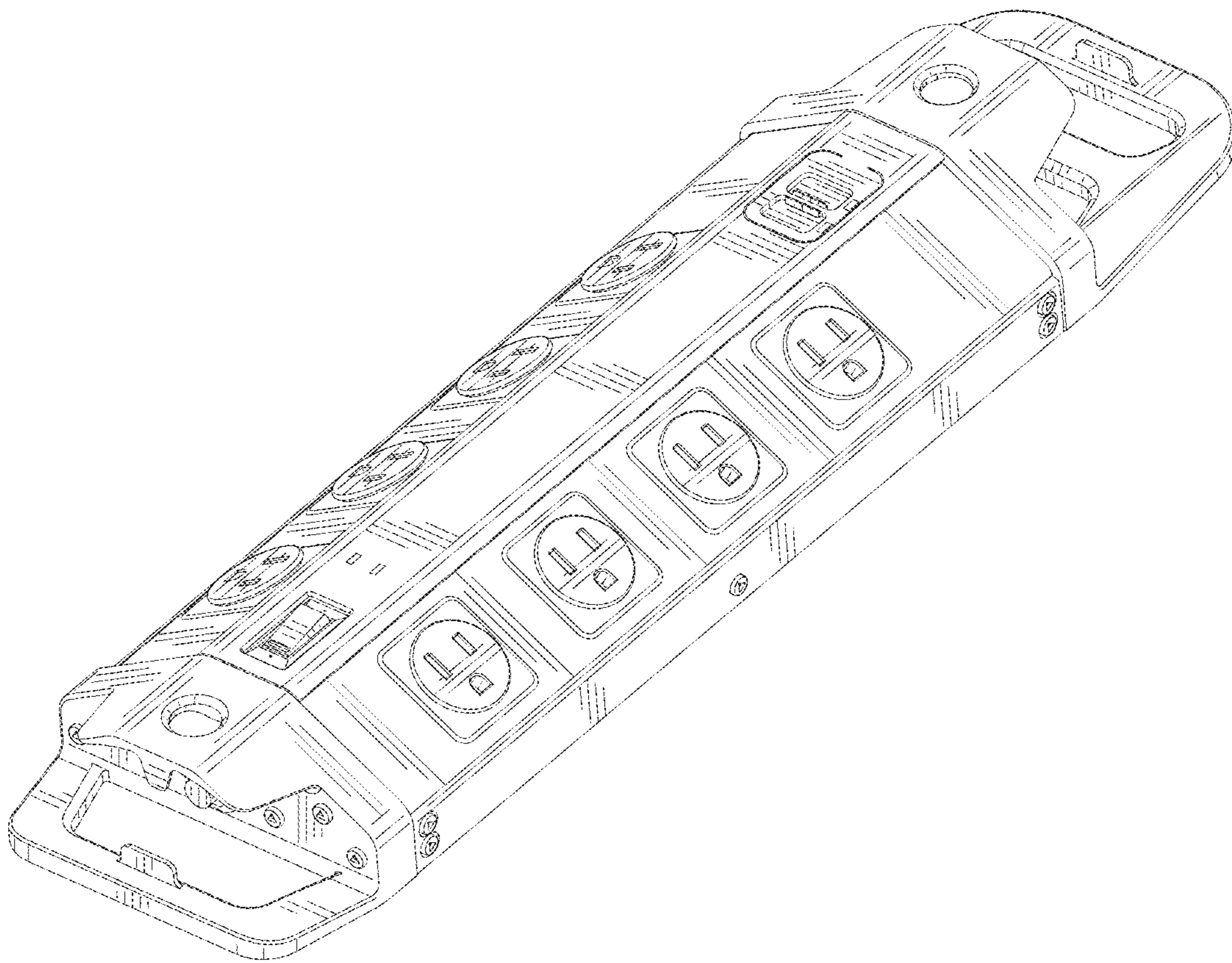


FIG. 1

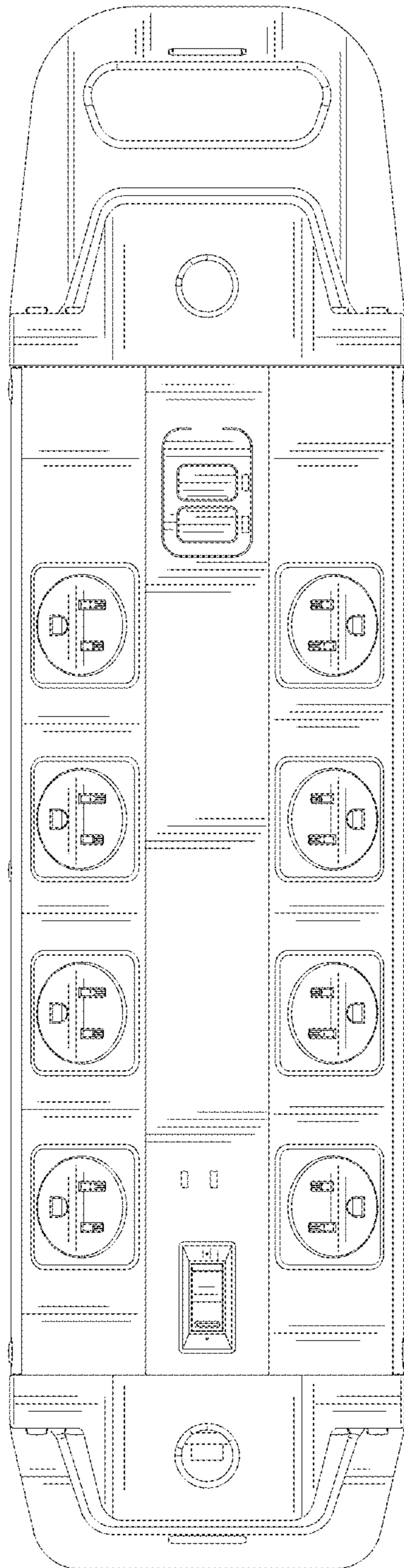


FIG. 2

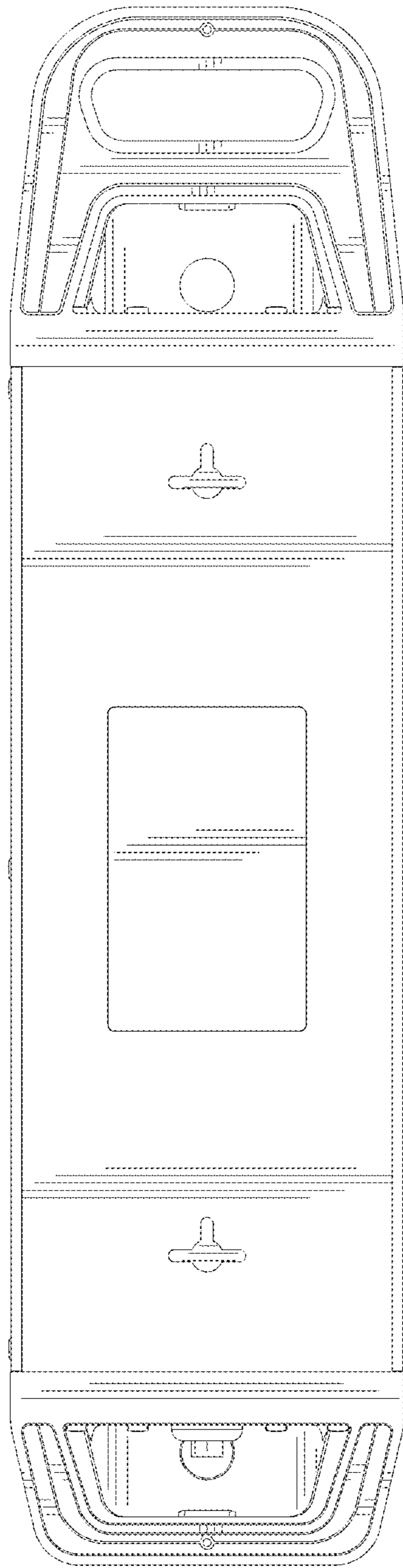


FIG. 3

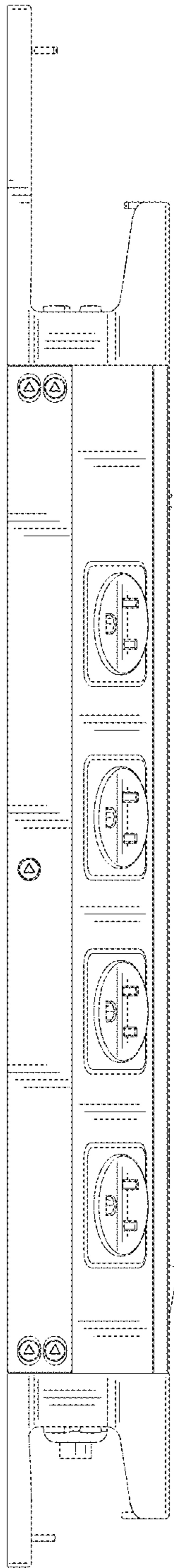


FIG. 4

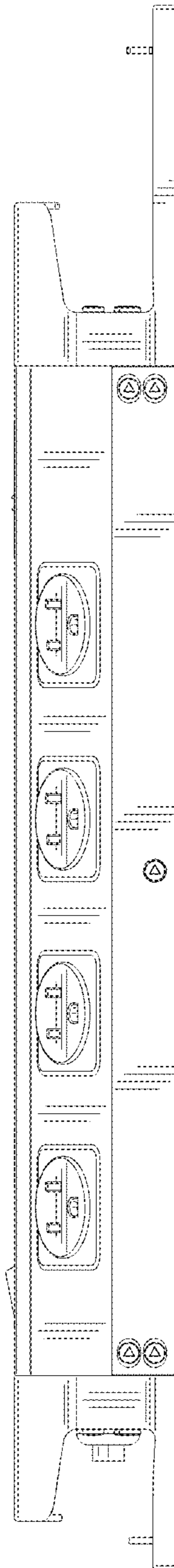


FIG. 5

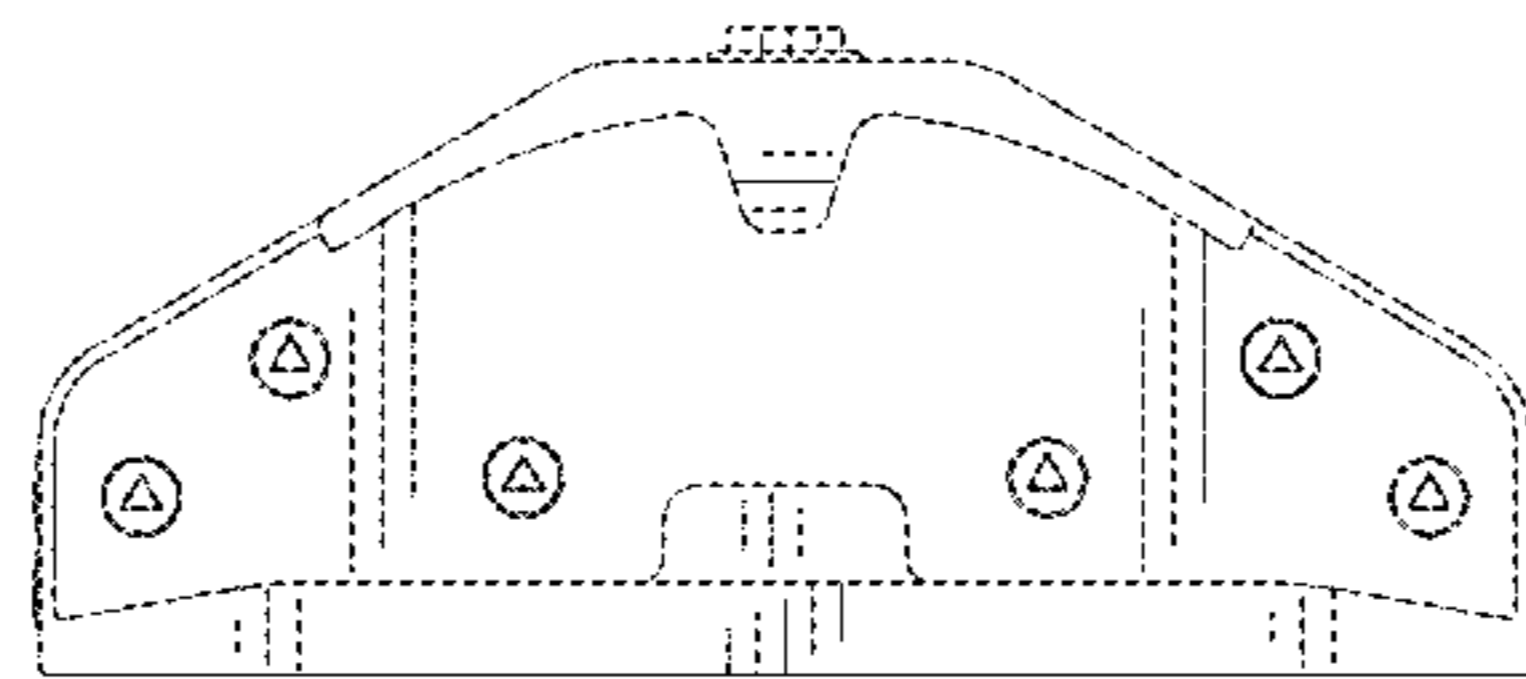


FIG. 6

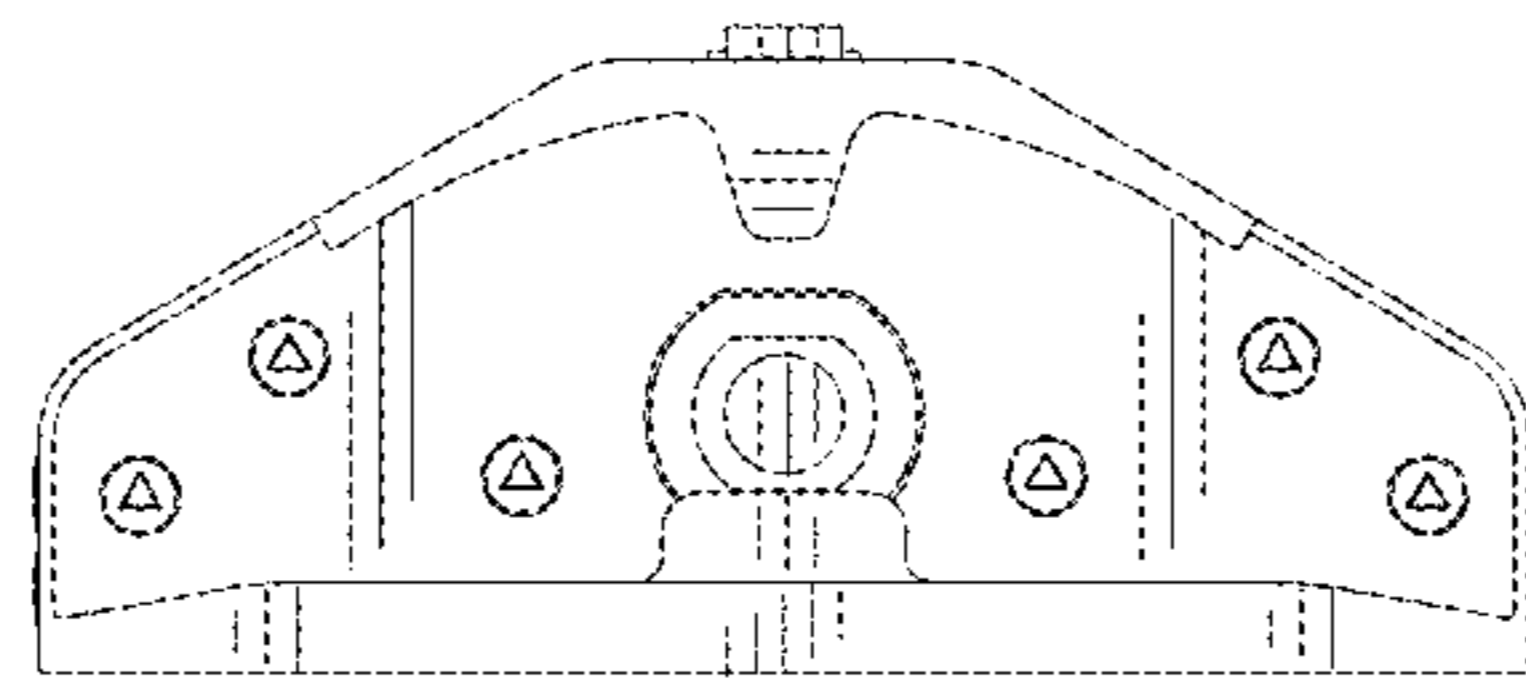


FIG. 7

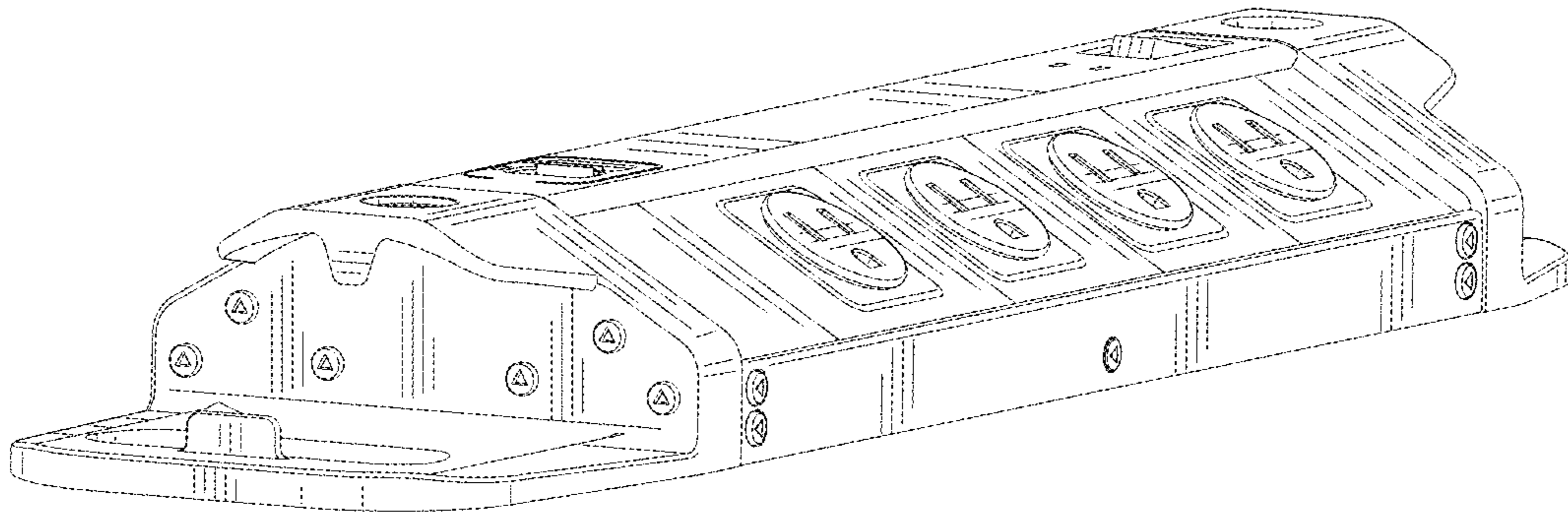


FIG. 8

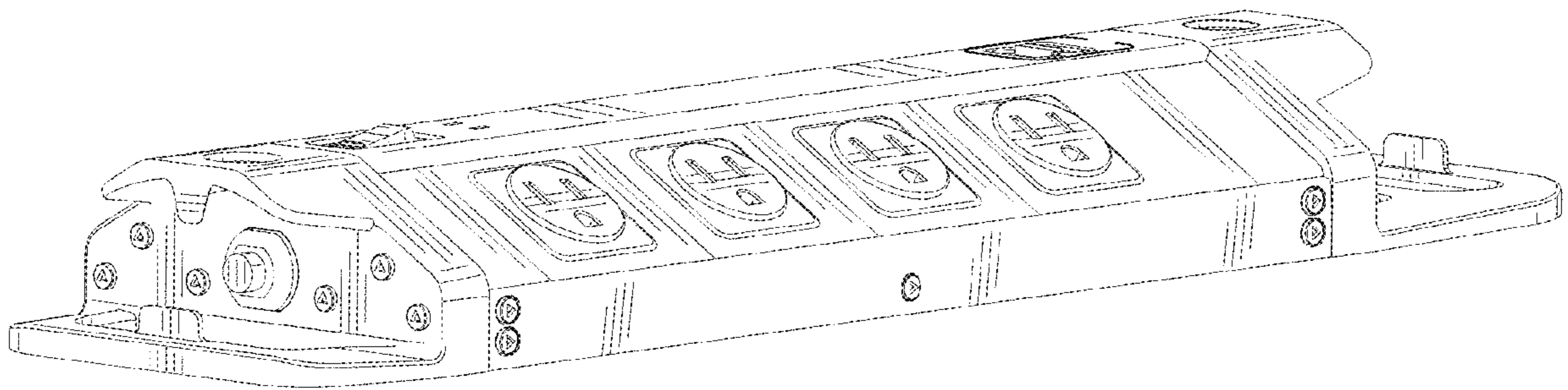


FIG. 9