



US00D875049S

(12) **United States Design Patent** (10) **Patent No.:** **US D875,049 S**
Stephens (45) **Date of Patent:** **** *Feb. 11, 2020**

(54) **MULTI-SOCKET ELECTRICAL OUTLET**
(71) Applicant: **John P. Methner**, Bedford, TX (US)
(72) Inventor: **Thomas G. Stephens**, Fort Worth, TX (US)

D515,505 S * 2/2006 Lin D13/139.6
7,031,125 B2 * 4/2006 Germain H01H 73/14
361/42
D521,932 S * 5/2006 Fort D13/139.6
D532,376 S * 11/2006 Bazayev D13/139.3
D535,254 S * 1/2007 Bazayev D13/139.3
D535,255 S * 1/2007 Bazayev D13/139.3

(73) Assignee: **John P. Methner**, Bedford, TX (US)
(*) Notice: This patent is subject to a terminal disclaimer.
(**) Term: **14 Years**

(Continued)
Primary Examiner — Rhea Shields
(74) *Attorney, Agent, or Firm* — Timothy G. Ackermann

(21) Appl. No.: **29/526,302**
(22) Filed: **May 7, 2015**
(51) **LOC (12) Cl.** **13-03**
(52) **U.S. Cl.**
USPC **D13/139.3**
(58) **Field of Classification Search**
USPC ... D13/139.1–139.8, 138.1–138.2, 154, 156,
D13/137.1–137.4, 152, 108; D8/353;
362/42
CPC H01R 25/006; H01R 27/02; H01H 73/14;
H01H 71/62
See application file for complete search history.

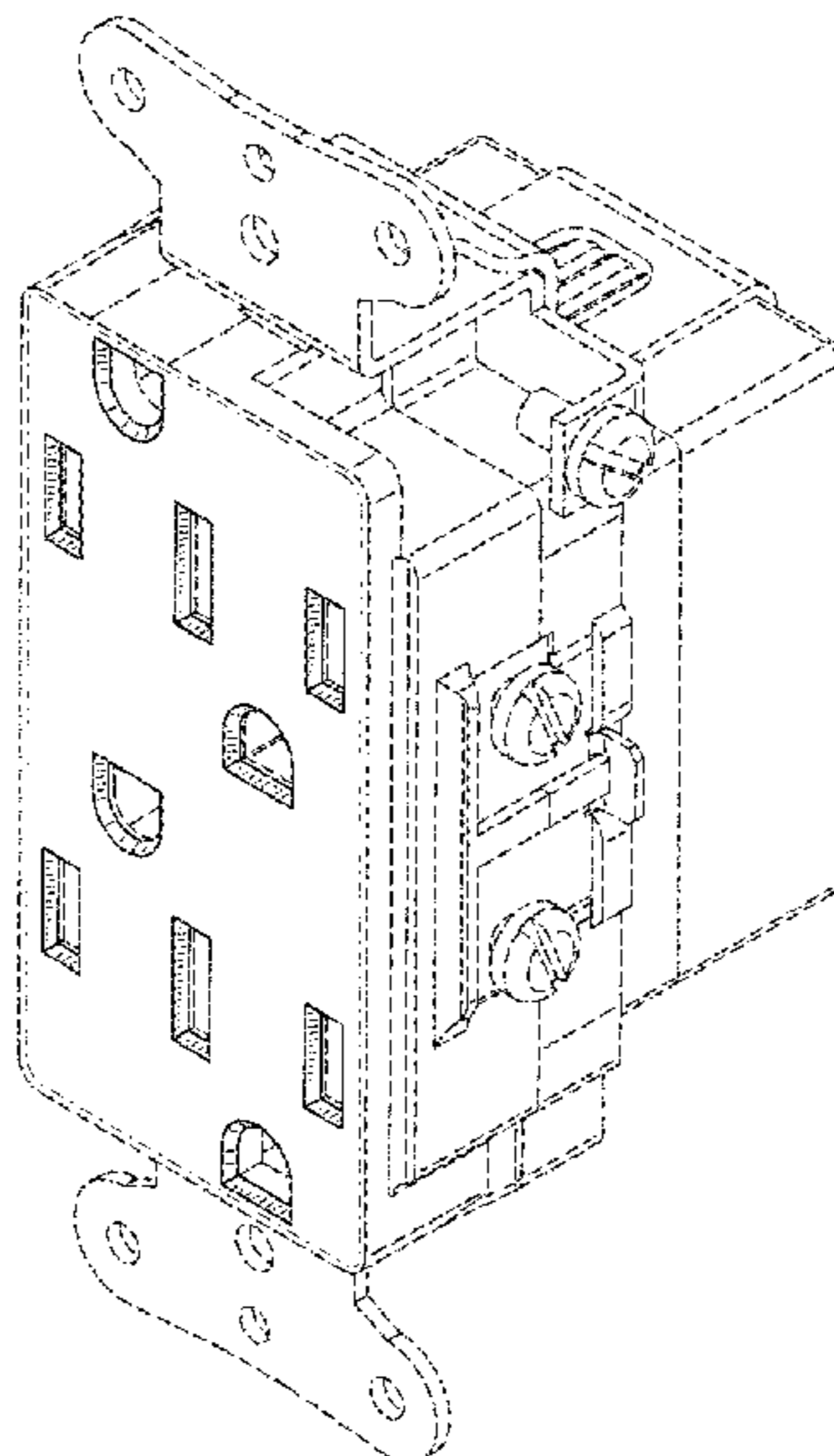
(57) **CLAIM**
The ornamental design for a multi-socket electrical outlet, as shown and described.

DESCRIPTION

FIG. 1 is a perspective view of a multi-socket electrical outlet showing a first embodiment of the present invention; FIG. 2 is a front view thereof; FIG. 3 is a rear view thereof; FIG. 4 is a left side view thereof; FIG. 5 is a right side view thereof; FIG. 6 is a top view thereof; and FIG. 7 is a bottom view thereof. FIG. 8 is a perspective view of a multi-socket electrical outlet showing a second embodiment of the present invention; FIG. 9 is a front view thereof; FIG. 10 is a rear view thereof; FIG. 11 is a left side view thereof; FIG. 12 is a right side view thereof; FIG. 13 is a top view thereof; FIG. 14 is a bottom view thereof; and, FIG. 15 is a top view shown in an environment. In the drawings, the broken lines are for the purpose of illustrating environment only and form no part of the claimed design. The dash-dot-dash broken lines define the boundaries of the claim and form no part of the claimed design.

(56) **References Cited**
U.S. PATENT DOCUMENTS
D402,186 S * 12/1998 Pearse D13/154
D413,862 S * 9/1999 Huang D13/139.3
D419,531 S * 1/2000 Keung D13/139.3
D430,539 S * 9/2000 Leopold D13/139.3
D462,660 S * 9/2002 Huang D13/139.3
D470,108 S * 2/2003 Daoxian D13/139.3
D486,126 S * 2/2004 Aromin D13/137.2
D486,792 S * 2/2004 Stoughton D13/137.2
D494,139 S * 8/2004 Allen, Jr. D13/139.3
D505,758 S * 5/2005 Rohmer D13/156
D505,856 S * 6/2005 Kim D8/353
D512,377 S * 12/2005 Fort D13/139.3

1 Claim, 13 Drawing Sheets



(56)

References Cited

U.S. PATENT DOCUMENTS

D536,305 S *	2/2007	Fort	D13/139.6	D686,577 S *	7/2013	Flagello	D13/152
7,209,330 B2 *	4/2007	DiSalvo	H01H 71/62 361/42	D692,385 S *	10/2013	Dodal	D13/139.1
D542,223 S *	5/2007	Bazayev	D13/139.3	D692,830 S *	11/2013	Junko	D13/139.3
D545,272 S *	6/2007	Zhang	D13/139.3	D700,892 S *	3/2014	Segnit	D13/137.2
D547,272 S *	7/2007	Ng	D13/137.2	D701,834 S *	4/2014	Lee	D13/137.2
D551,625 S *	9/2007	Loftus	D13/139.3	D705,732 S *	5/2014	Lee	D13/137.2
D558,676 S *	1/2008	Fort	D13/139.3	D710,804 S *	8/2014	Duffy	D13/139.3
D571,729 S *	6/2008	Kidman	D13/139.3	D711,828 S *	8/2014	Mozdzer	D13/139.1
D573,951 S *	7/2008	Schwartz	D13/139.1	D713,344 S *	9/2014	Padro	D13/139.3
D588,065 S *	3/2009	Wadsworth	D13/137.2	D715,224 S *	10/2014	Junko	D13/139.1
D588,539 S *	3/2009	Byrne	D13/139.1	D719,511 S *	12/2014	Dodal	D13/139.1
D595,229 S *	6/2009	LaGrotta	D13/137.2	D719,512 S *	12/2014	Roy	D13/139.6
D598,859 S *	8/2009	Vaccaro	D13/139.3	D719,915 S *	12/2014	McMahon	D13/139.1
D601,962 S *	10/2009	Song	D13/139.6	D720,295 S *	12/2014	Dodal	D13/139.1
D609,643 S *	2/2010	Oddsens	D13/139.1	D722,562 S *	2/2015	Restrepo	D13/139.1
D614,572 S *	4/2010	Oddsens	H01R 25/006 D13/139.1	D731,432 S *	6/2015	Murphy	D13/139.1
D623,596 S *	9/2010	Lamoureux	H01R 27/02 D13/139.1	D732,719 S *	6/2015	Mozdzer	D13/139.1
D662,885 S *	7/2012	Hoffman	D13/139.1	D734,724 S *	7/2015	Faul	D13/137.4
D667,794 S *	9/2012	Junko	D13/139.1	D735,137 S *	7/2015	Duffy	D13/139.1
D673,503 S *	1/2013	Lee	D13/139.8	D744,952 S *	12/2015	Ni	D13/139.3
D674,349 S *	1/2013	Lee	D13/139.8	D754,074 S *	4/2016	DeCosta	D13/139.3
D674,753 S *	1/2013	Jansen	D13/139.1	D755,129 S *	5/2016	Page	D13/139.4
					D763,196 S *	8/2016	DeCosta	D13/152
					D778,238 S *	2/2017	Gouhl	D13/137.3
					D778,239 S *	2/2017	Ni	D13/108
					D779,436 S *	2/2017	Huynh	D13/139.6
					D788,039 S *	5/2017	Page	D13/139.1

* cited by examiner

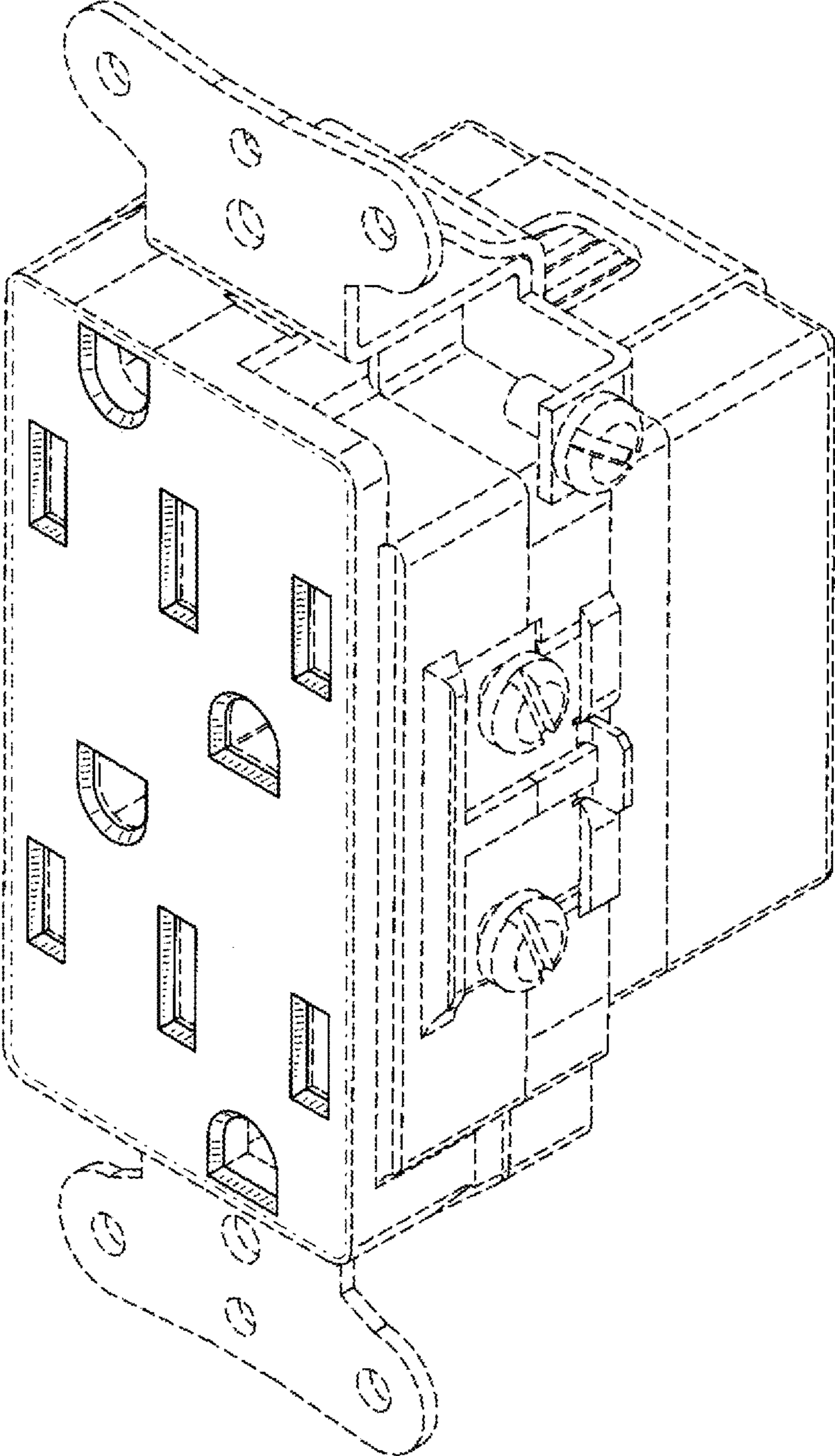


FIG. 1

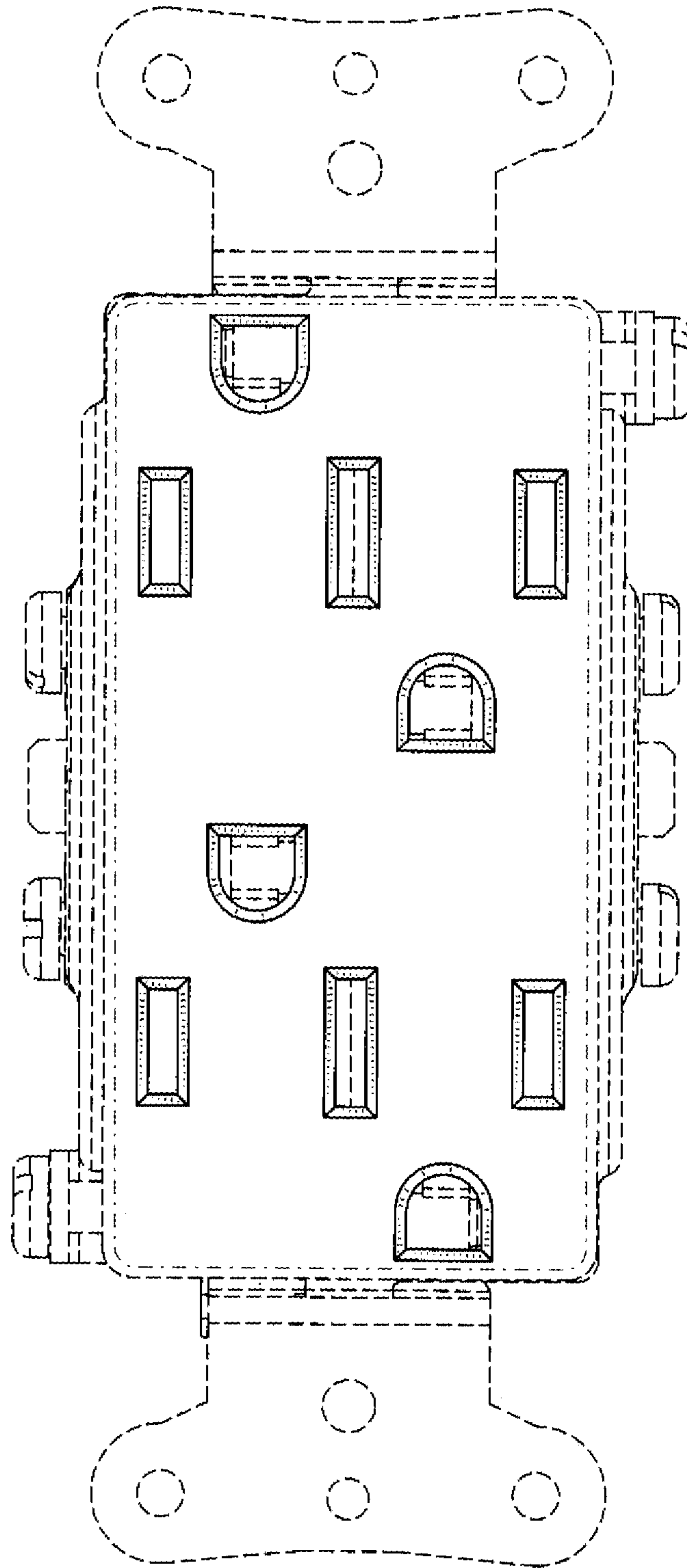


FIG. 2

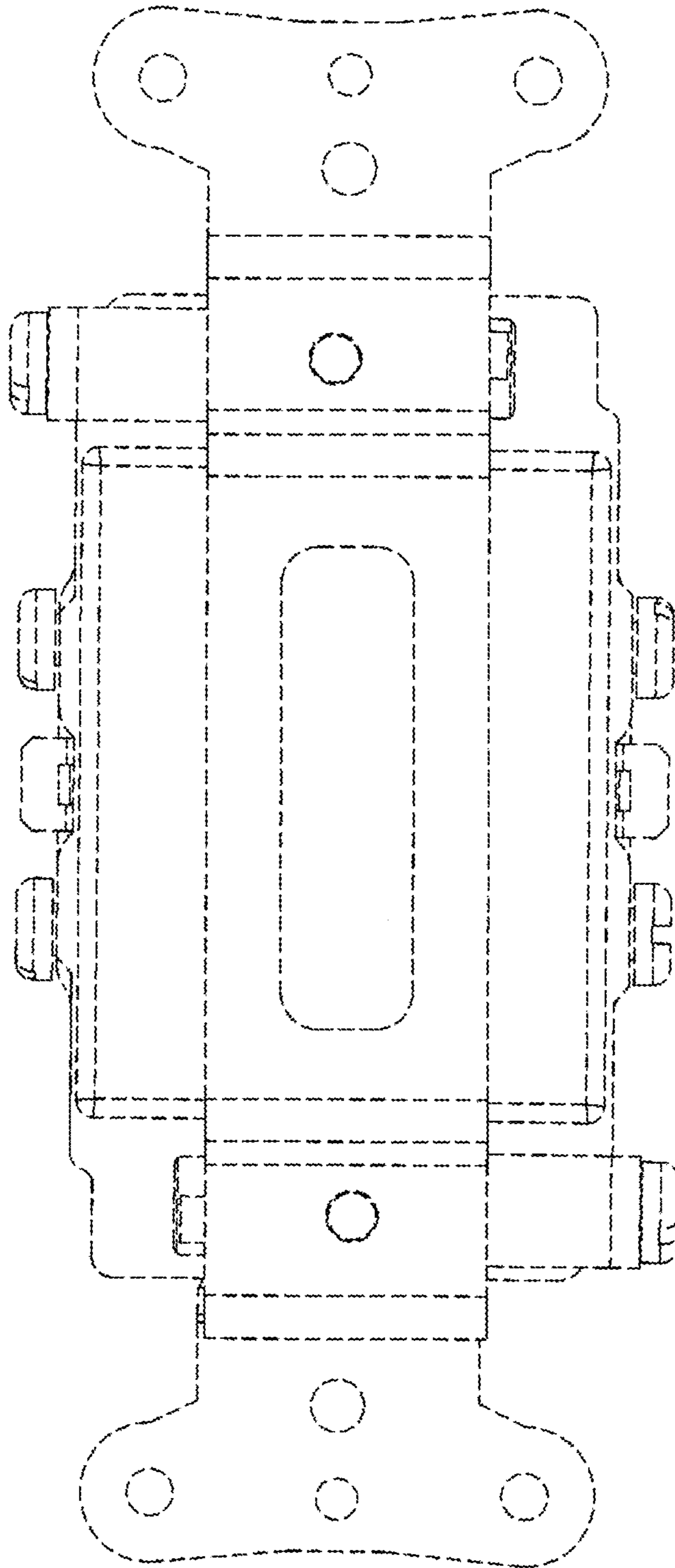


FIG. 3

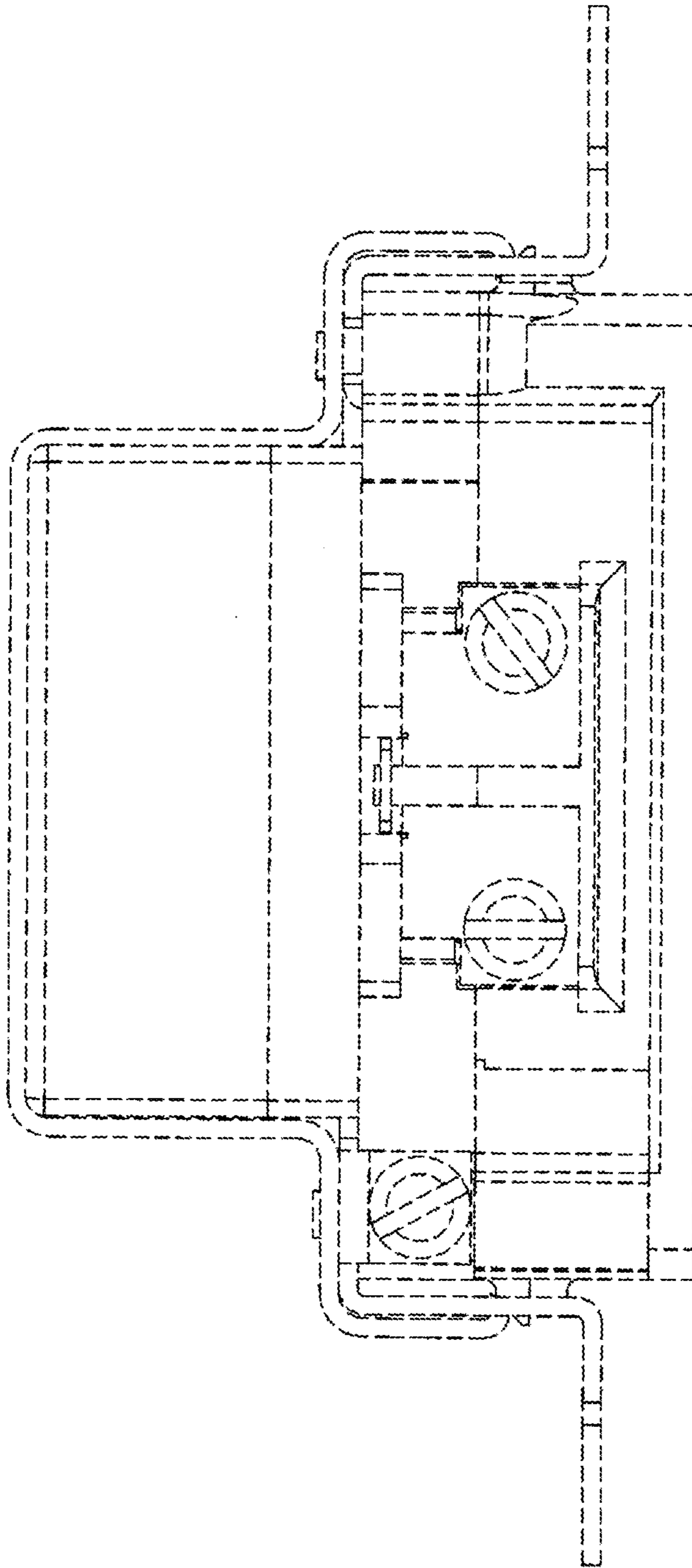


FIG. 4

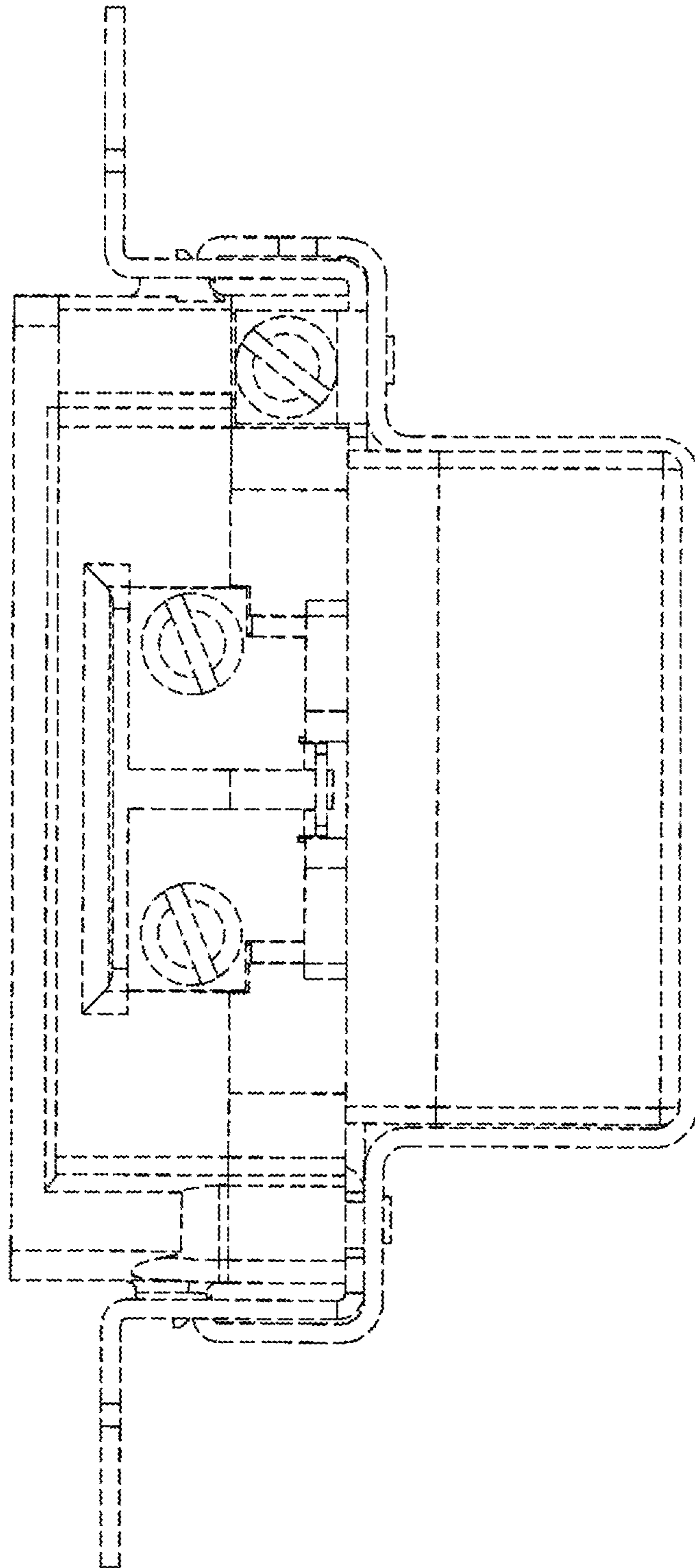


FIG. 5

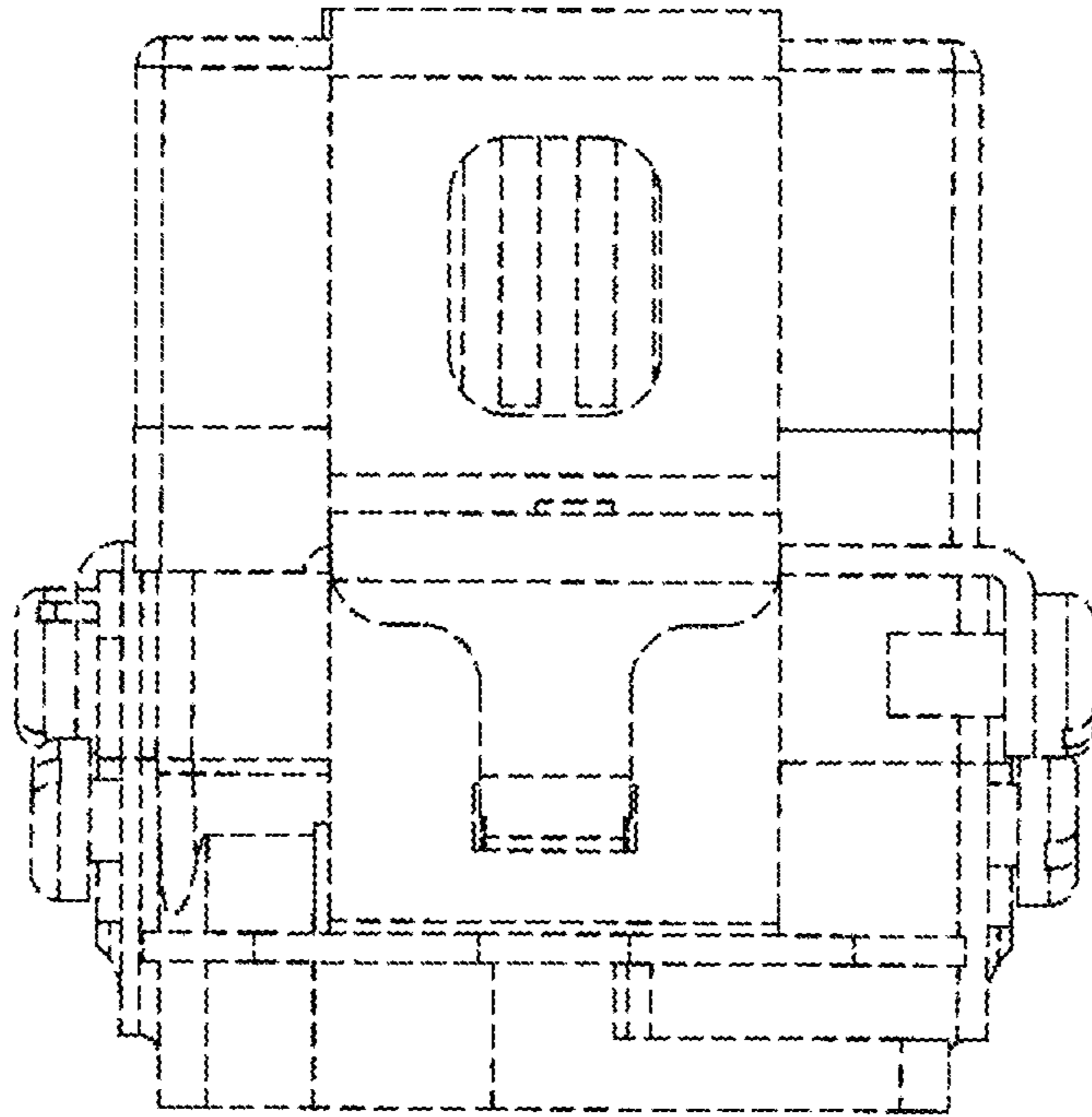


FIG. 6

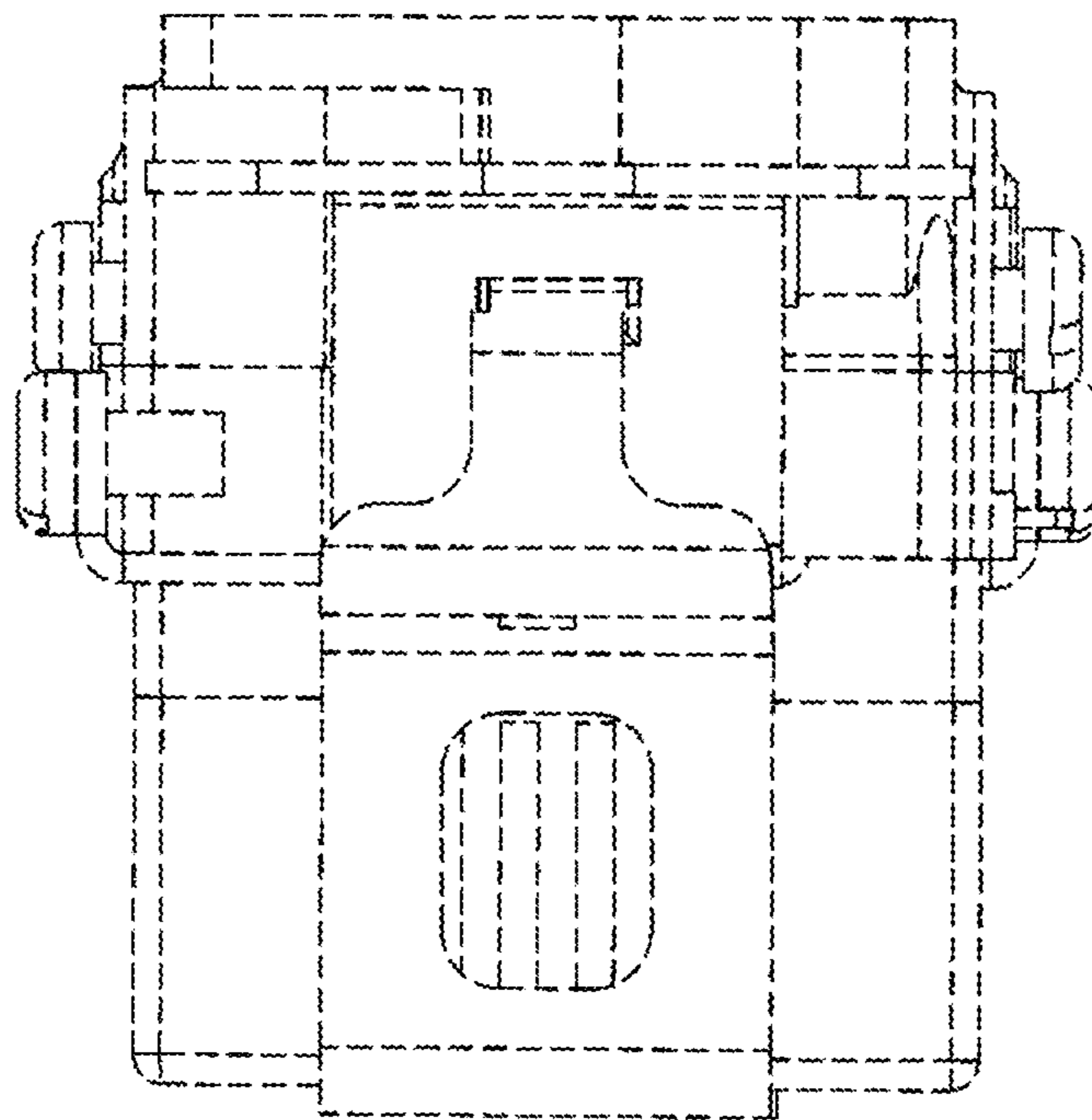


FIG. 7

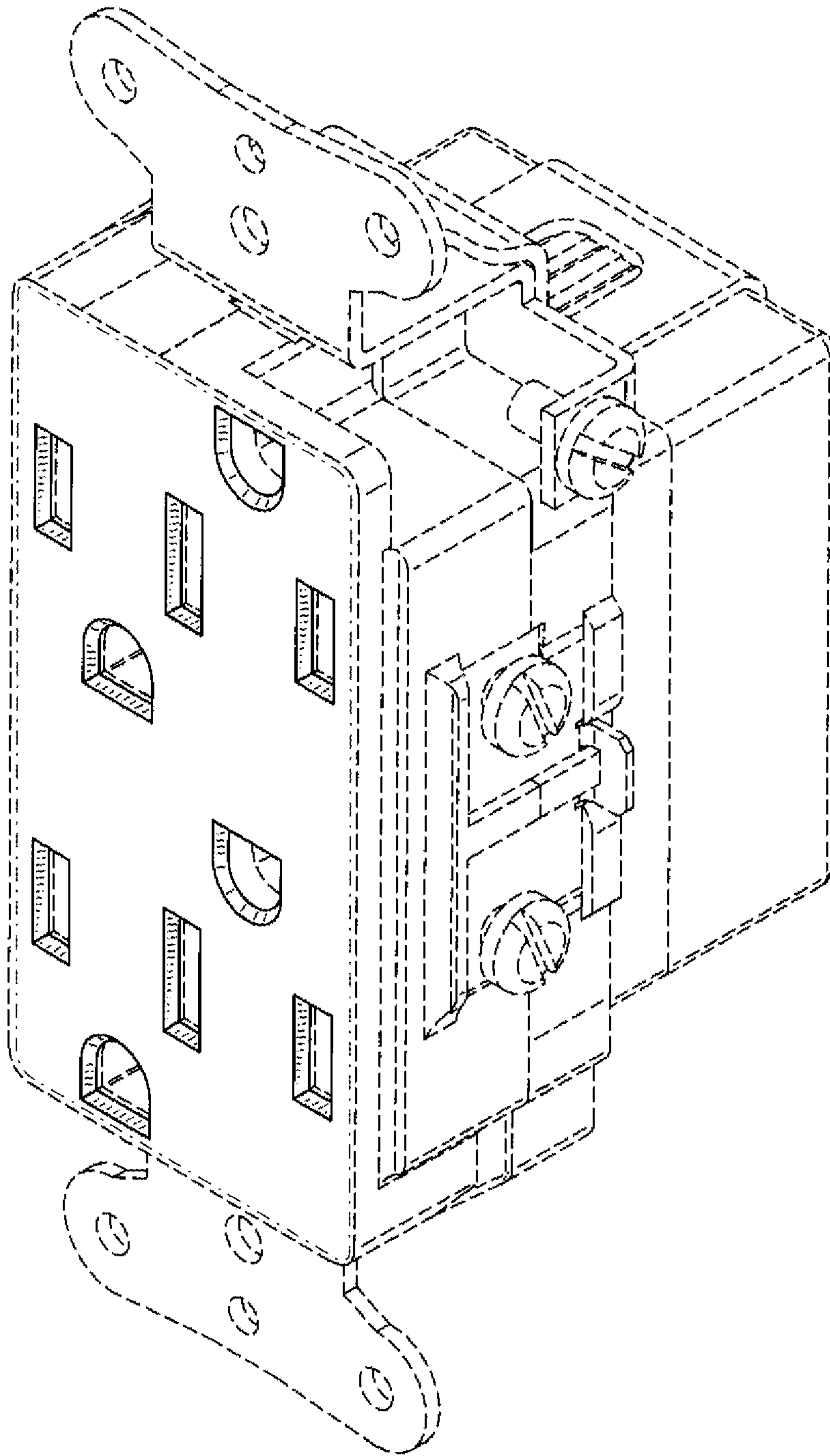


FIG. 8

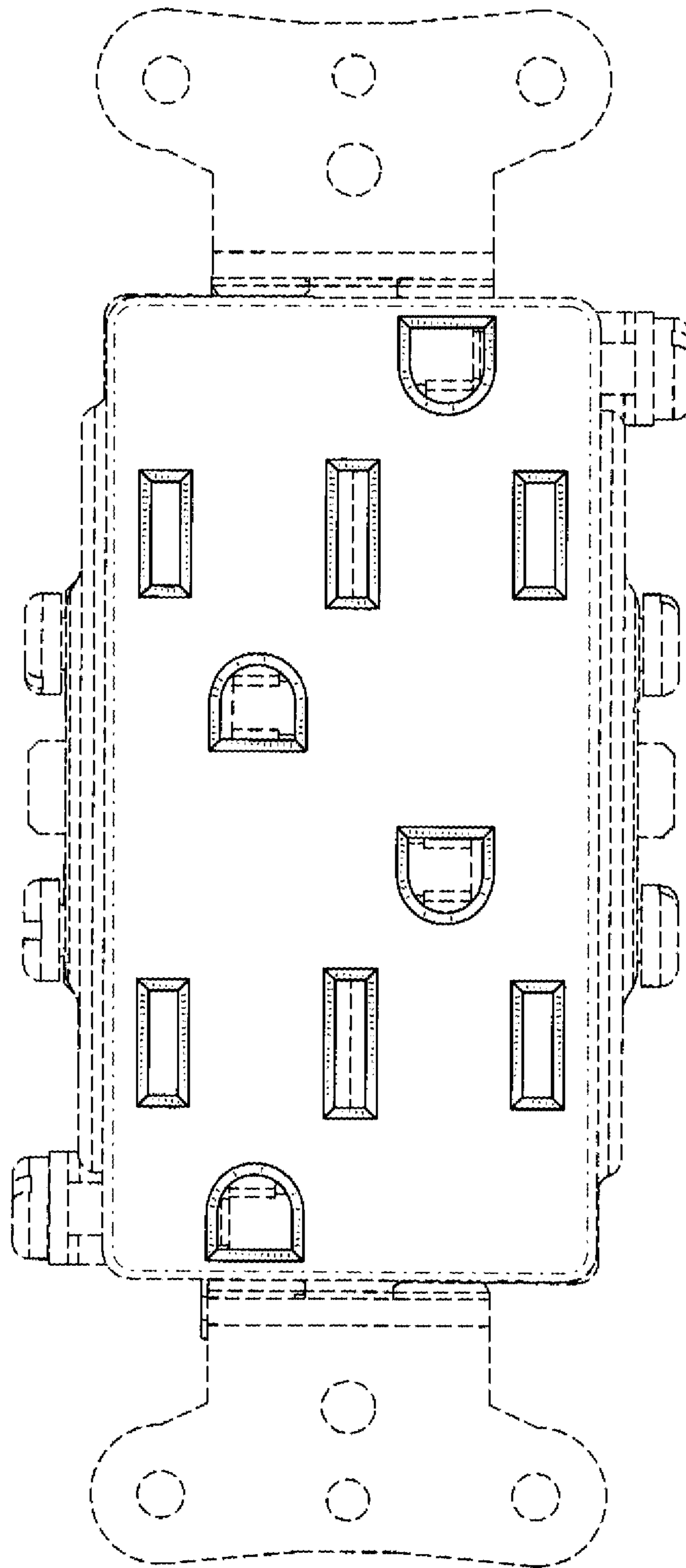


FIG. 9

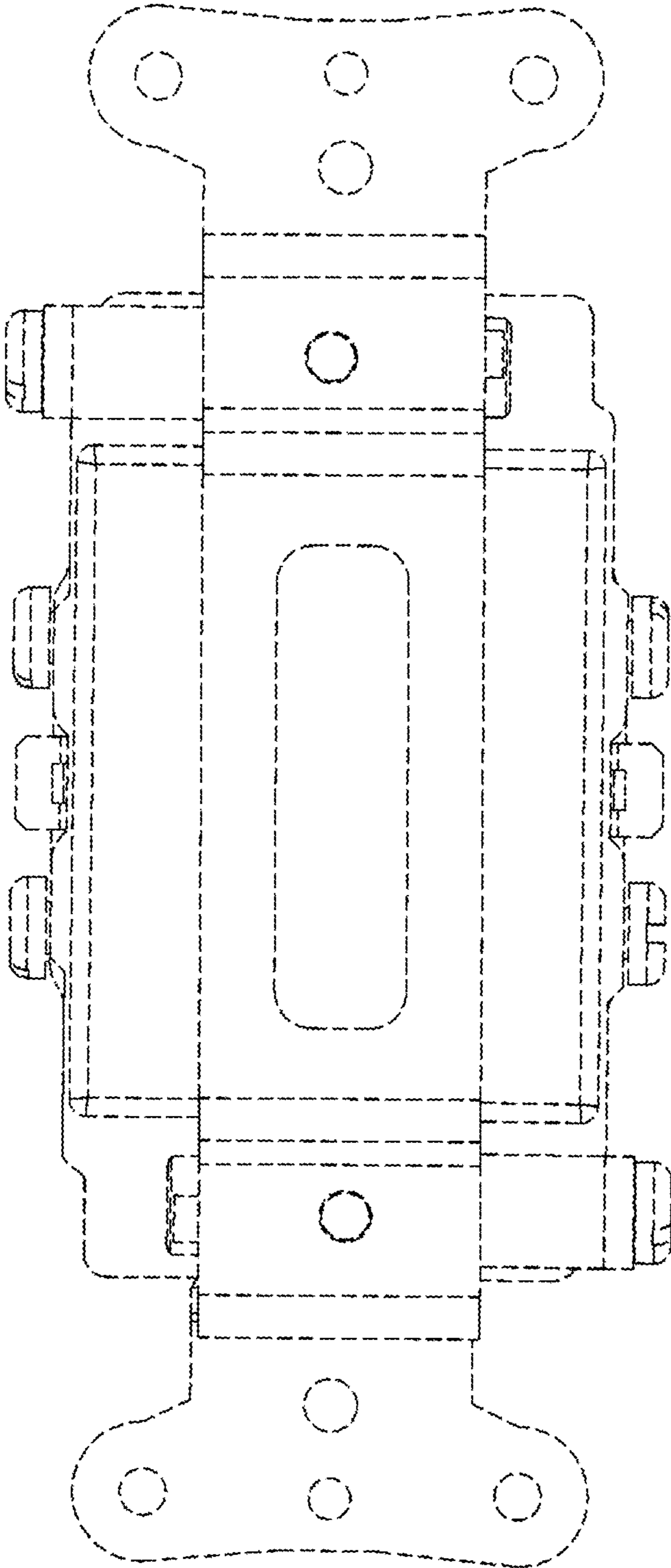


FIG. 10

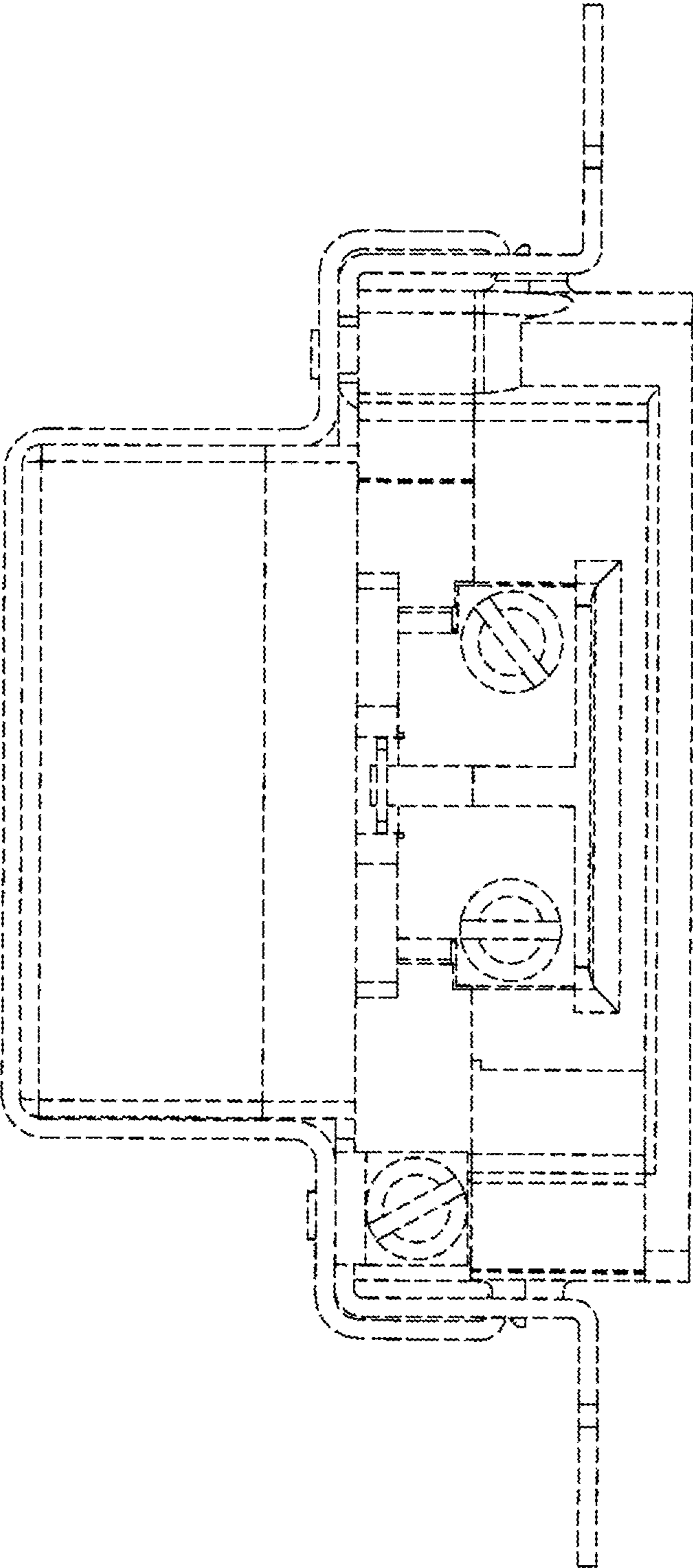


FIG. 11

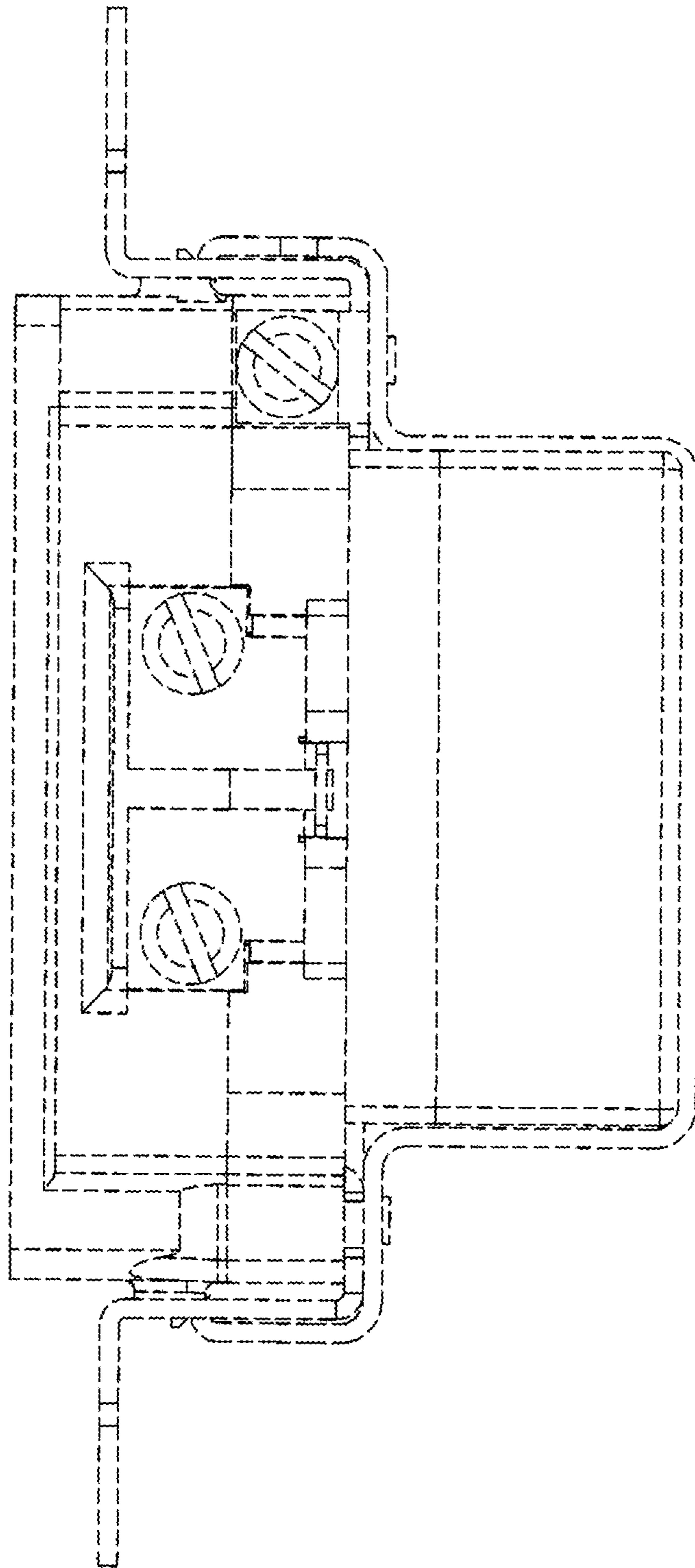


FIG. 12

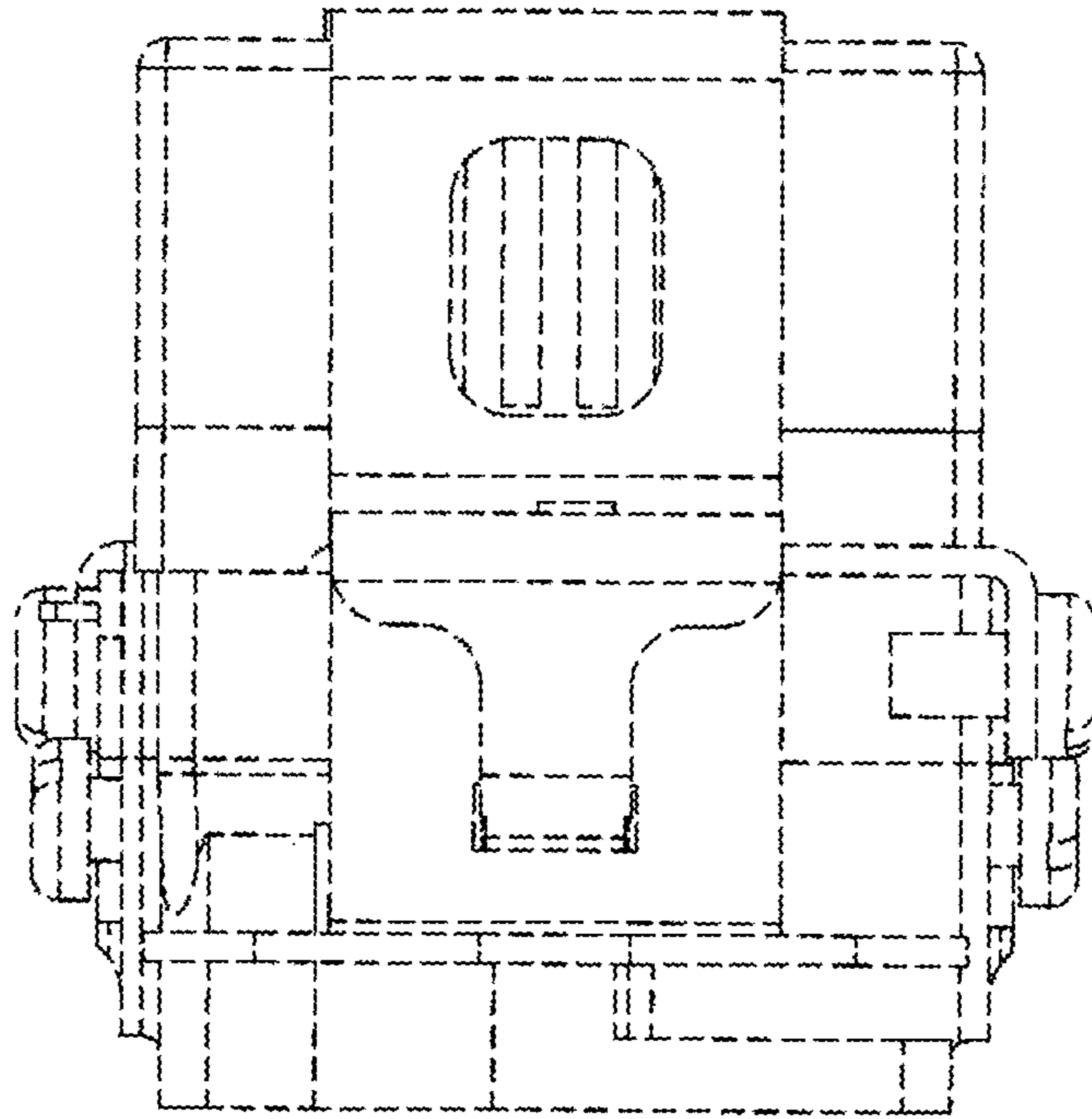


FIG. 13

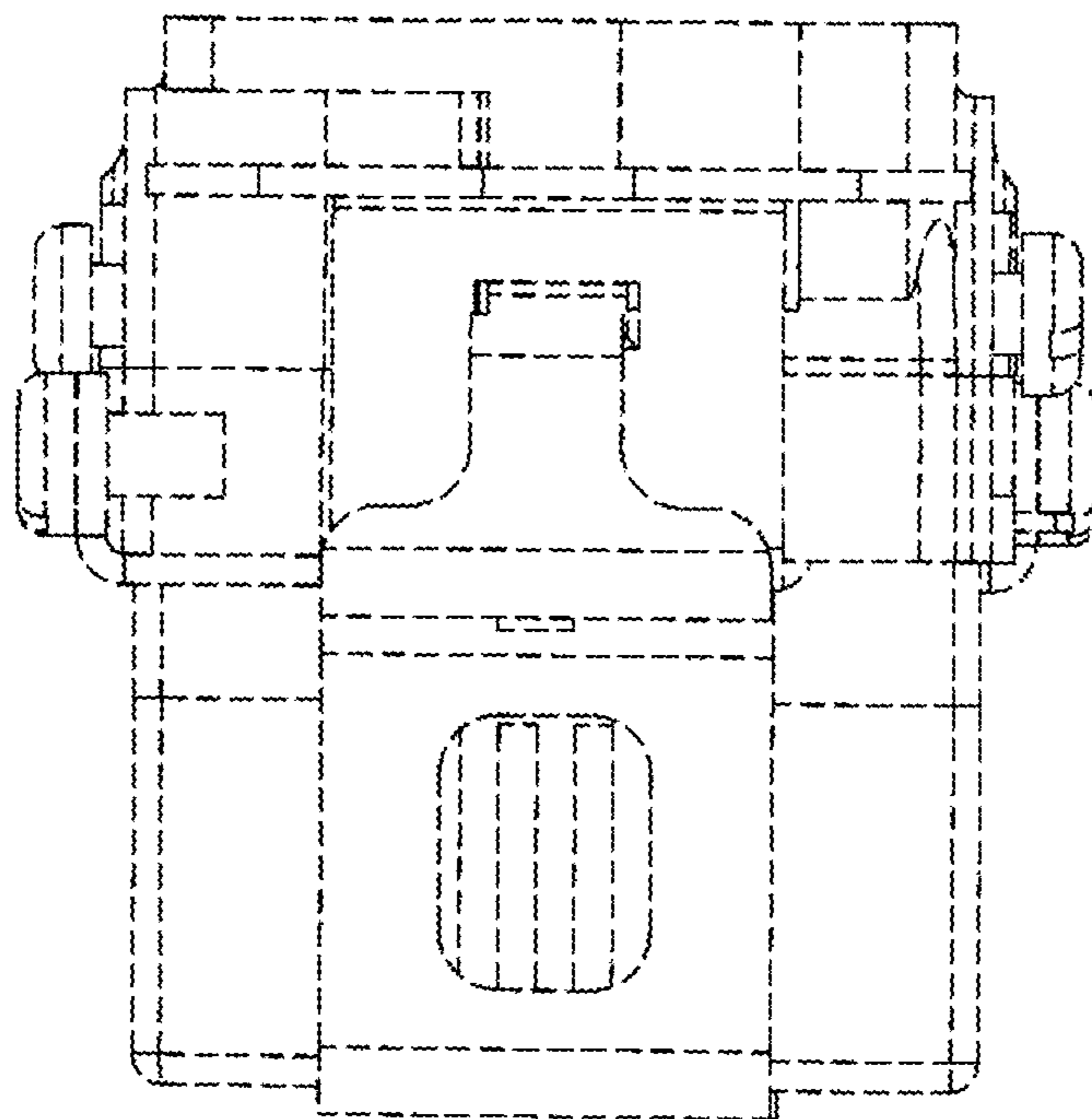


FIG. 14

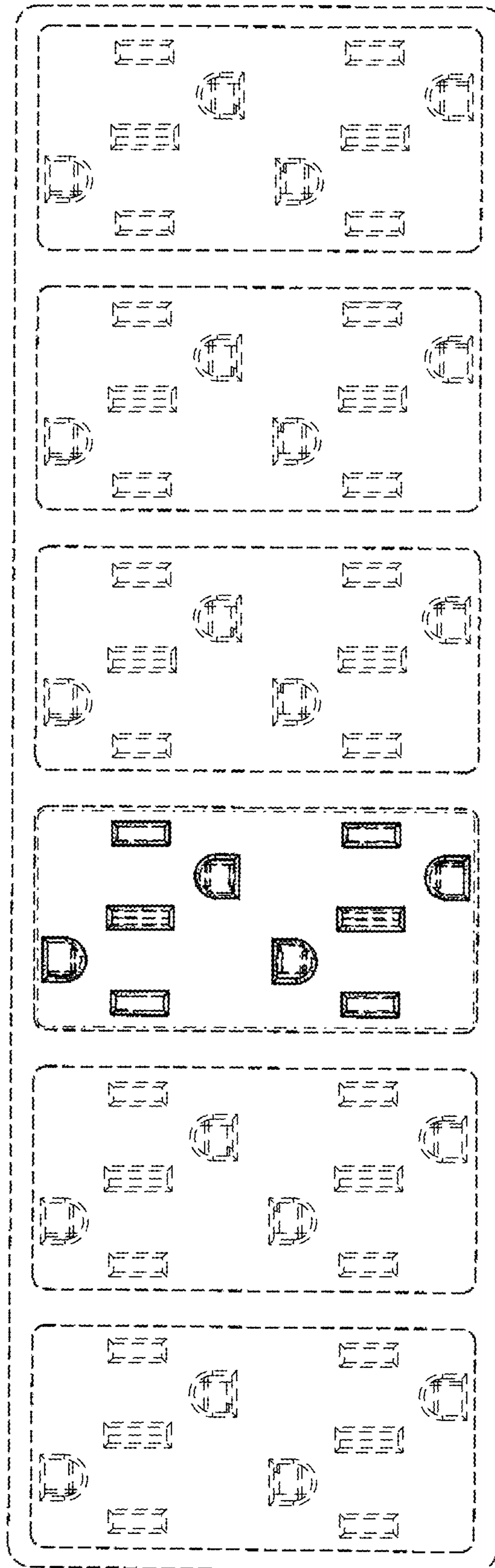


FIG. 15