



US00D875048S

(12) **United States Design Patent** (10) **Patent No.:** **US D875,048 S**
Zhang (45) **Date of Patent:** **** Feb. 11, 2020**

(54) **REMOTE CONTROLLED SOCKET**

(71) Applicant: **Hua Zhang**, Shenzhen (CN)

(72) Inventor: **Hua Zhang**, Shenzhen (CN)

(**) Term: **15 Years**

(21) Appl. No.: **29/690,408**

(22) Filed: **May 8, 2019**

(51) **LOC (12) Cl.** **13-03**

(52) **U.S. Cl.**
USPC **D13/137.1**

(58) **Field of Classification Search**
USPC D13/134, 137.1, 138.1, 162, 168, 137.2;
D8/353, 350
CPC H01R 13/10; H01R 13/44; H01R 13/4534;
H01R 13/46; H01R 13/652; H01R 13/66;
H01R 13/6675; H01R 31/00; H01R
31/065; H01H 23/00; H01H 23/02; H01H
23/04; H02G 3/12; H02G 3/14

See application file for complete search history.

(56) **References Cited**

U.S. PATENT DOCUMENTS

D399,495 S *	10/1998	Bachschnid	D13/177
D604,703 S *	11/2009	Peterson	D13/162
7,857,640 B1 *	12/2010	Lee	H01R 13/4534 439/137
D682,220 S *	5/2013	Lee	D13/152
D690,275 S *	9/2013	Seidl	D13/162
D751,038 S *	3/2016	Lin	D13/137.2
D755,132 S *	5/2016	Kashimoto	D13/168
D755,736 S	5/2016	Altonen et al.		
D764,419 S *	8/2016	Kashimoto	D13/168
D772,202 S	11/2016	Choe et al.		
D830,317 S	10/2018	Seidl et al.		
D845,901 S *	4/2019	Chen	D13/137.2
2013/0217265 A1 *	8/2013	Schlaepfer	H01R 33/00 439/639
2015/0037989 A1 *	2/2015	Byrne	H01R 13/4534 439/137
2017/0187135 A1 *	6/2017	Azoulay	H01R 13/717

OTHER PUBLICATIONS

Hong Kong SAR Smallest Remote Control; prior to May, 8, 2018; 1 pg.; https://www.google.com/search?hl=en&biw=1536&bih=813&tbs=cdr%3A1%2Ccd_max%3A5%2F8%2F2018&tbm=isch&sa=1&ei=CawHXYOcHePO5gLMsY6gDg&q=remote+control+plug+&oq=remote+control+plug+&gs_l=img.3..0i24110.45514.46324..47087..0.0..0.276.832.0j5j1.....0.*

2017 original xiaomi smart home aqara wall socket; 2017; 1 pg.; https://www.google.com/search?hl=en&biw=1536&bih=813&tbs=cdr%3A1%2Ccd_max%3A5%2F8%2F2018&tbm=isch&sa=1&ei=CawHXYOcHePO5gLMsY6gDg&q=remote+control+plug+&oq=remote+control+plug+&gs_l=img.3..0i24110.45514.46324..47087..0.0..0.276.832.0j5j1.....0.*

NRS Healthcare Home Easy Remoe Conrol; prior to May 8, 2018; 1 pg. https://www.google.com/search?hl=en&biw=1536&bih=813&tbs=cdr%3A1%2Ccd_max%3A5%2F8%2F2018&tbm=isch&sa=1&ei=NbEHXdHcElyO5wK817zQCw&q=remote+control+sockets&oq=remote+control+socket&gs_l=img.1.0.0j0i8i30j0i2418.254288.258099..261726..0.0..1.348.406.*

2017 original xiaomi smart home aqara wall socket; 2017; 17 pgs.; https://www.aliexpress.com/item/Original-Xiaomi-Aqara-Smart-Wall-Switch-Socket-Plug-Light-Control-ZiGBee-Wireless-Key-APP-Wireless-Remote/32839075805.html.*

* cited by examiner

Primary Examiner — Selina Sikder
(74) *Attorney, Agent, or Firm* — ZANIP

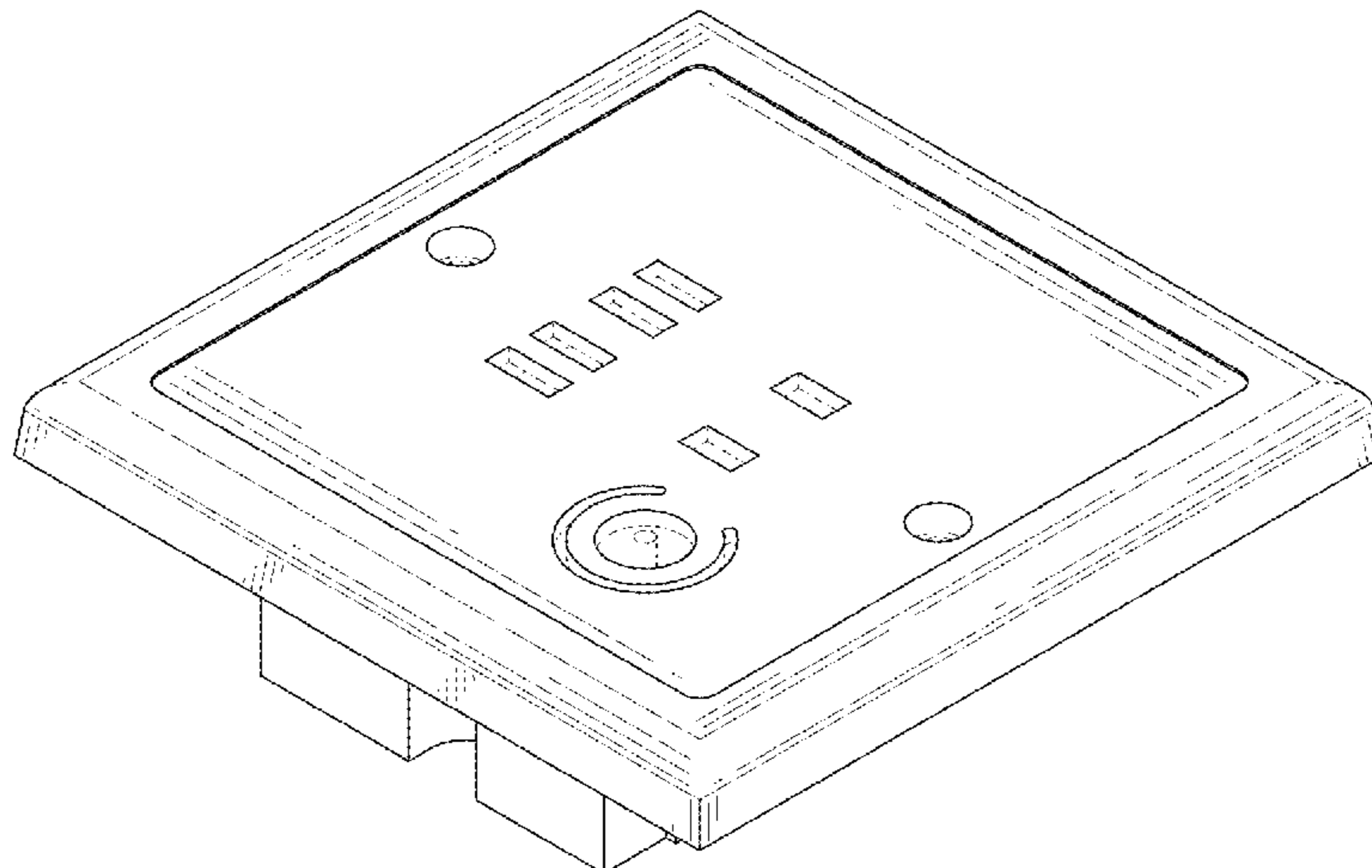
(57) **CLAIM**

The ornamental design for a remote controlled socket, as shown and described.

DESCRIPTION

FIG. 1 is a first perspective view of a remote controlled socket showing my design;
 FIG. 2 is a second perspective view thereof;
 FIG. 3 is a front view thereof;
 FIG. 4 is a back view thereof;
 FIG. 5 is a left side view thereof;
 FIG. 6 is a right side view thereof;
 FIG. 7 is a top view thereof; and,
 FIG. 8 is a bottom view thereof.

(Continued)



The broken lines shown in the drawings depict portions of the remote controlled socket in which the design is embodied that form no part of the claimed design.

1 Claim, 8 Drawing Sheets

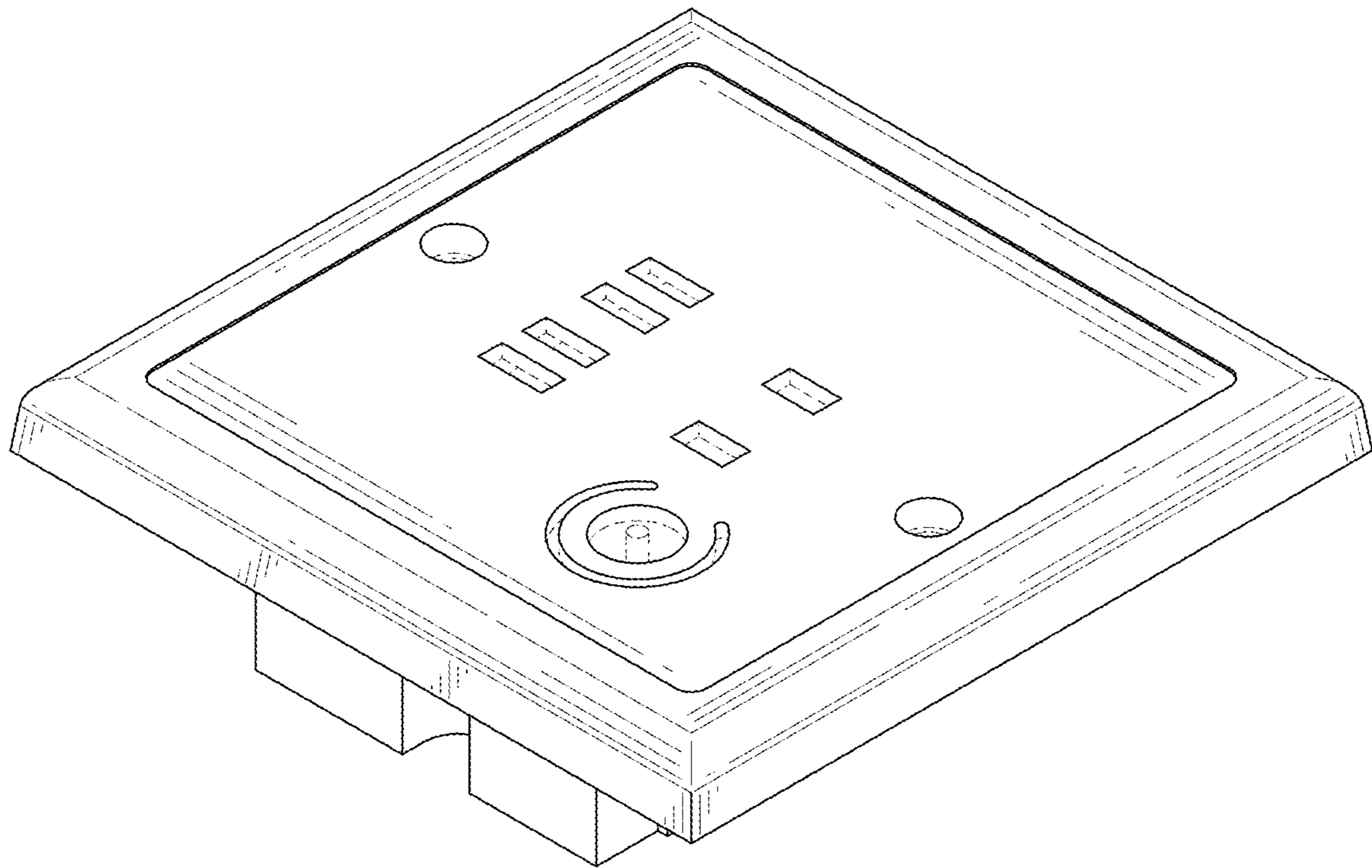


FIG. 1

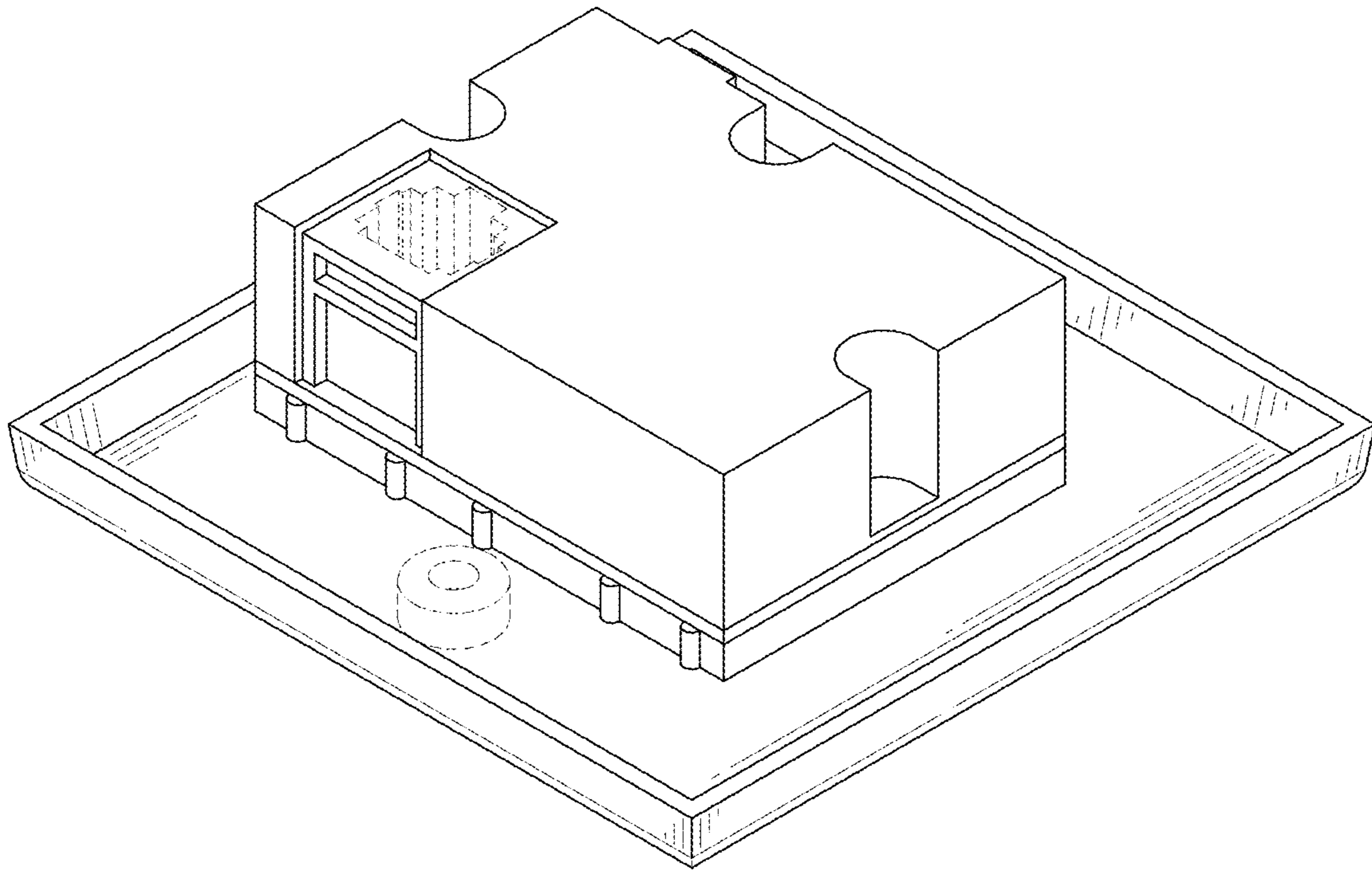


FIG. 2

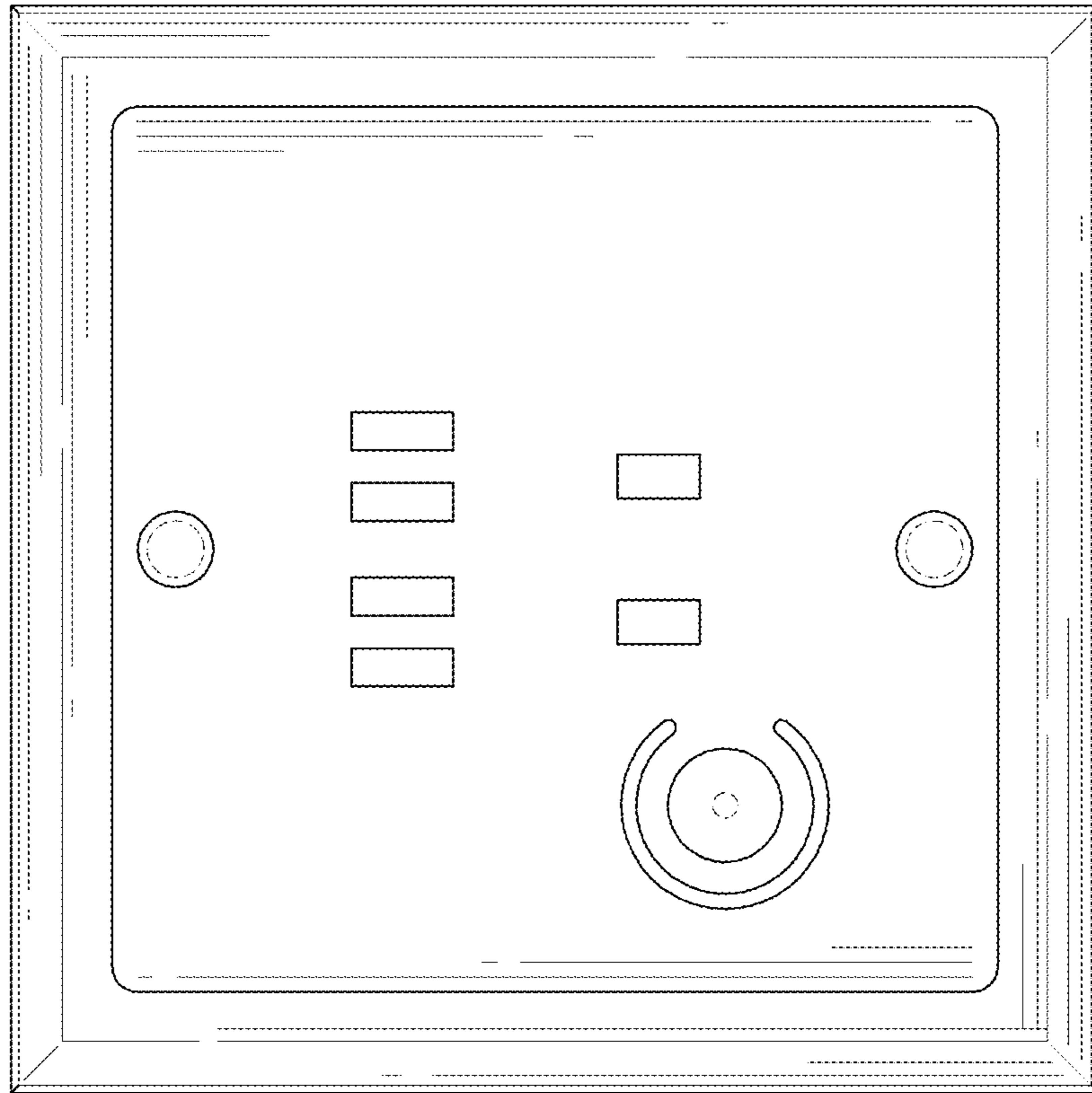


FIG. 3

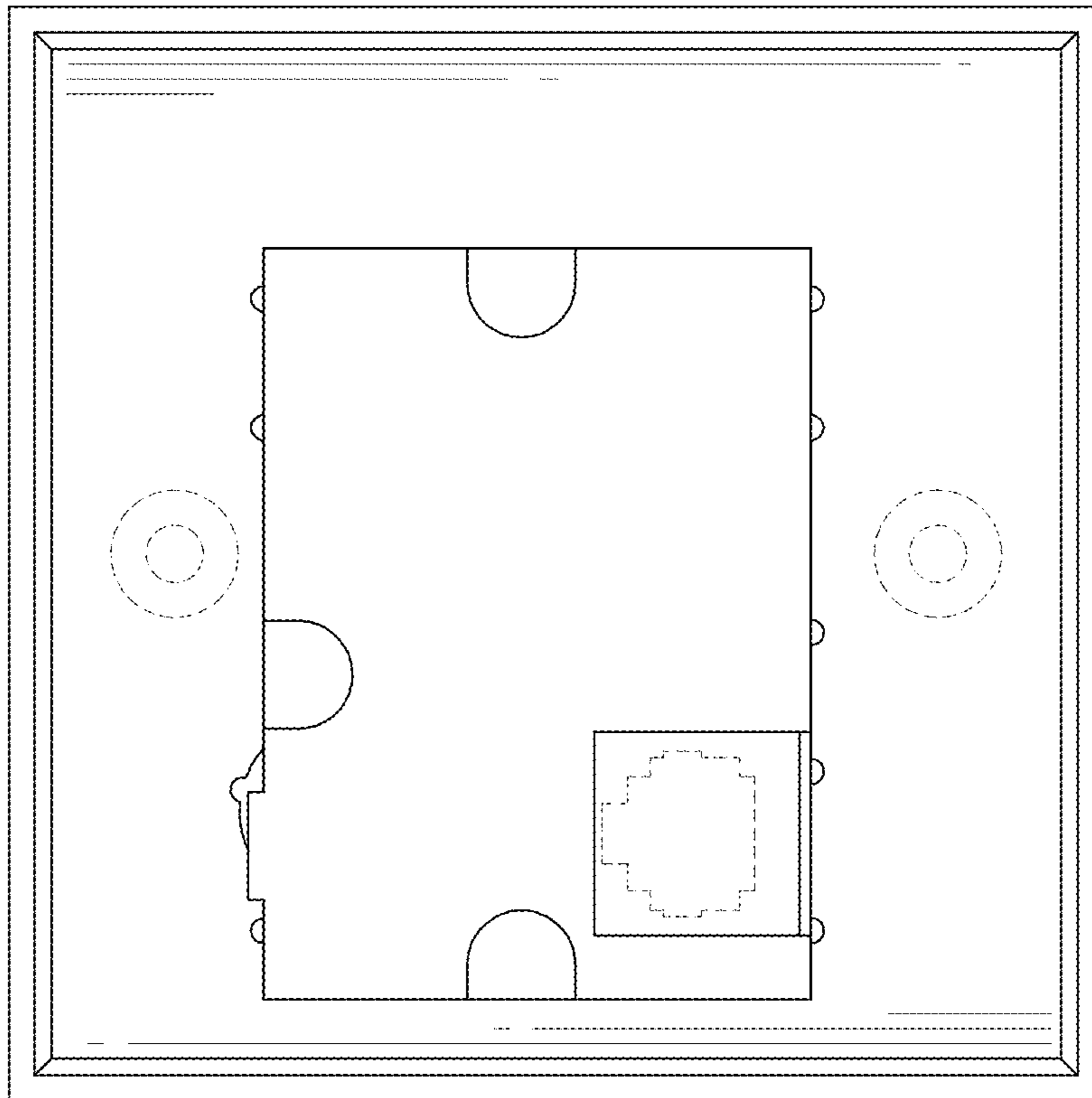


FIG. 4

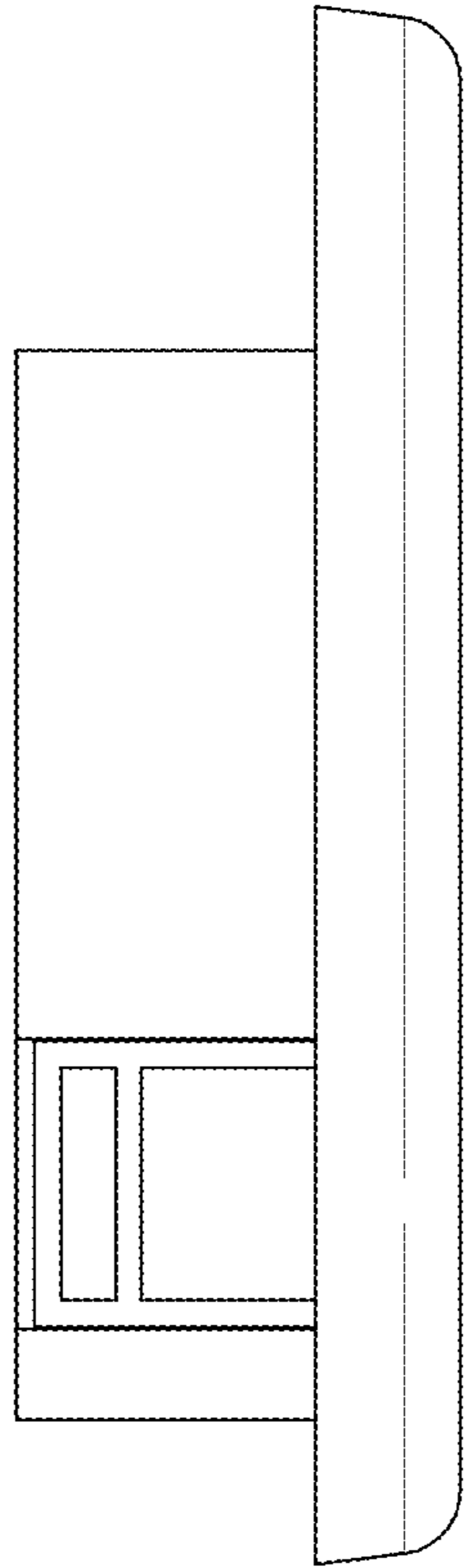


FIG. 5

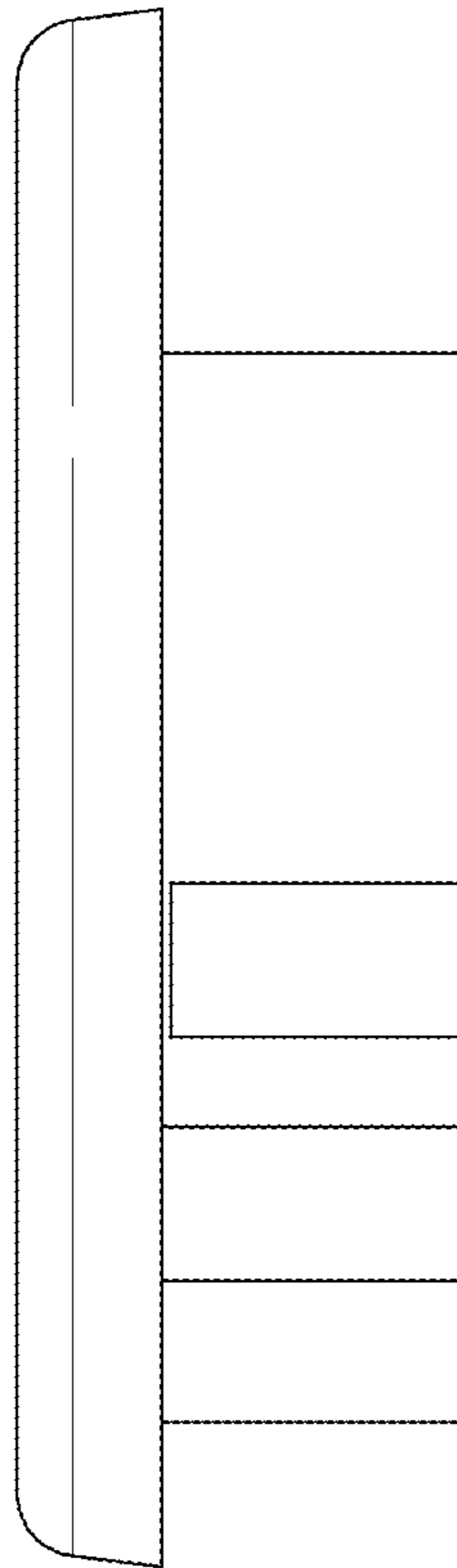


FIG. 6

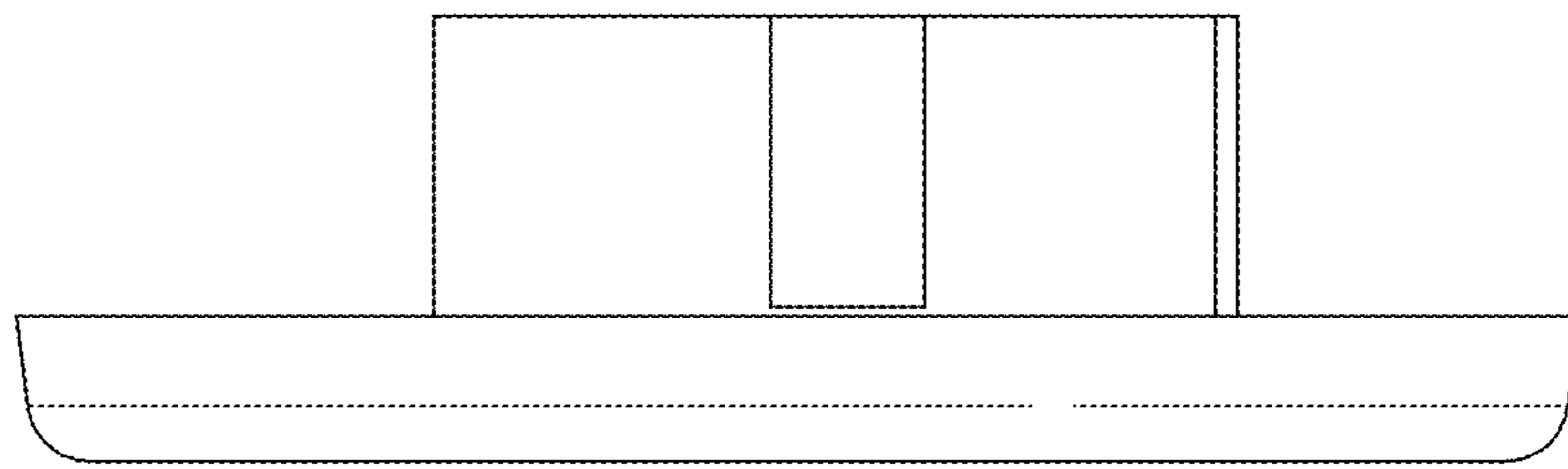


FIG. 7

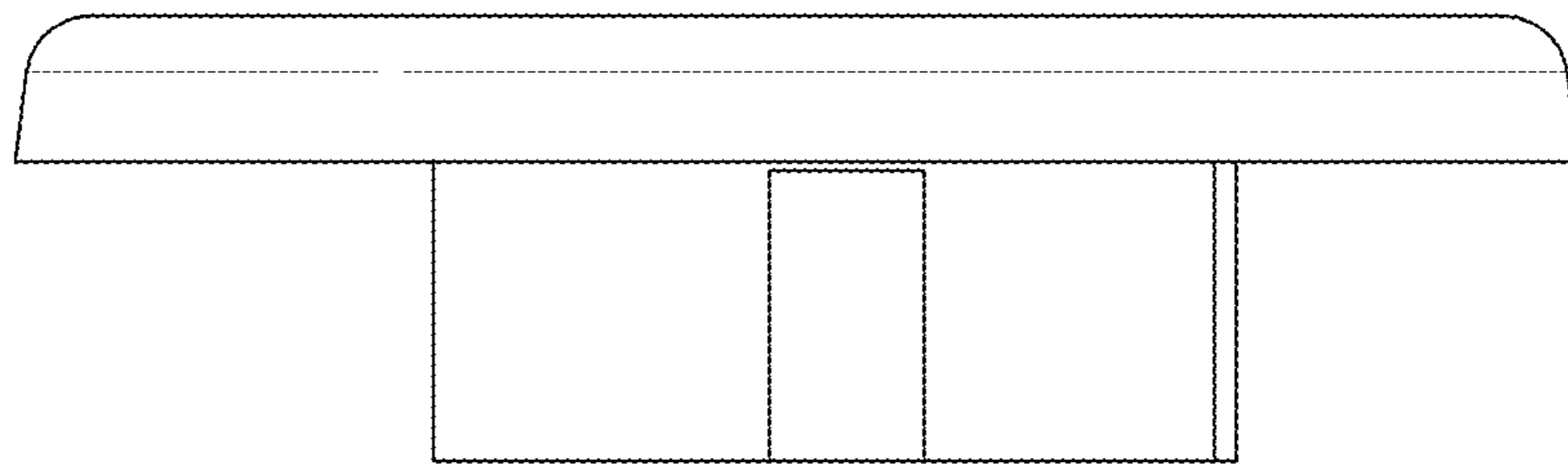


FIG. 8