



US00D875046S

(12) **United States Design Patent**
Waddell

(10) **Patent No.:** **US D875,046 S**
(45) **Date of Patent:** **** Feb. 11, 2020**

(54) **SELF-CLEANING ION GENERATOR DEVICE**

(71) Applicant: **Charles Houston Waddell**, Roanoke, VA (US)

(72) Inventor: **Charles Houston Waddell**, Roanoke, VA (US)

(73) Assignee: **Global Plasma Solutions, Inc.**, Savannah, GA (US)

(**) Term: **15 Years**

(21) Appl. No.: **29/694,126**

(22) Filed: **Jun. 7, 2019**

(51) **LOC (12) Cl.** **13-03**

(52) **U.S. Cl.**
USPC **D13/125**

(58) **Field of Classification Search**
USPC D13/123-132, 154, 184, 199, 107, 110, D13/117, 118, 138.1, 138.2, 139.6, 160, D13/171

CPC . B08B 1/007; B03C 3/74; B03C 3/743; H01J 2237/022; H01J 37/248; H01J 37/04; H01J 37/08; H01J 37/09; H01J 37/32568; H01J 37/32541; H01J 37/32862; H01T 19/04

See application file for complete search history.

(56) **References Cited**

U.S. PATENT DOCUMENTS

1,811,687	A	*	6/1931	Goldberg	H02G 3/123
						174/57
D253,281	S	*	10/1979	Kim	D10/121
D286,765	S	*	11/1986	Prouty	D13/159
D332,942	S	*	2/1993	Julien	D12/163
D353,575	S	*	12/1994	Macomber	D13/125
D434,523	S	*	11/2000	Ford	D23/364
D443,587	S	*	6/2001	Sakasegawa	D13/123
D476,298	S	*	6/2003	Lee	D13/184

(Continued)

FOREIGN PATENT DOCUMENTS

ID	D0000005939-0001	*	4/2004		
WO	WO-2016082730	A1	*	6/2016 H01G 2/04
WO	WO-2016147127	A1	*	9/2016 B03C 3/08

OTHER PUBLICATIONS

Global Plasma Solutions. Link: <https://gpshvac.com/wp-content/uploads/2017/07/GPS-FC48-AC-IOM-Rev-.pdf> Visited Jul. 5, 2019. GPS-FC48-AC-IOM-Rev Self-Cleaning Ion Generator Device. (Year: 2019).*

Primary Examiner — Susan Bennett Hattan

Assistant Examiner — Lauren D McVey

(74) *Attorney, Agent, or Firm* — Clements Bernard Walker

(57) **CLAIM**

The ornamental design for a self-cleaning ion generator device, as shown and described.

DESCRIPTION

FIG. 1 is a top perspective view of a self-cleaning ion generator device showing my new design;

FIG. 2 is another top perspective view of the self-cleaning ion generator device;

FIG. 3 is a side view of the self-cleaning ion generator device;

FIG. 4 is a front view of the self-cleaning ion generator device;

FIG. 5 is another side view of the self-cleaning ion generator device;

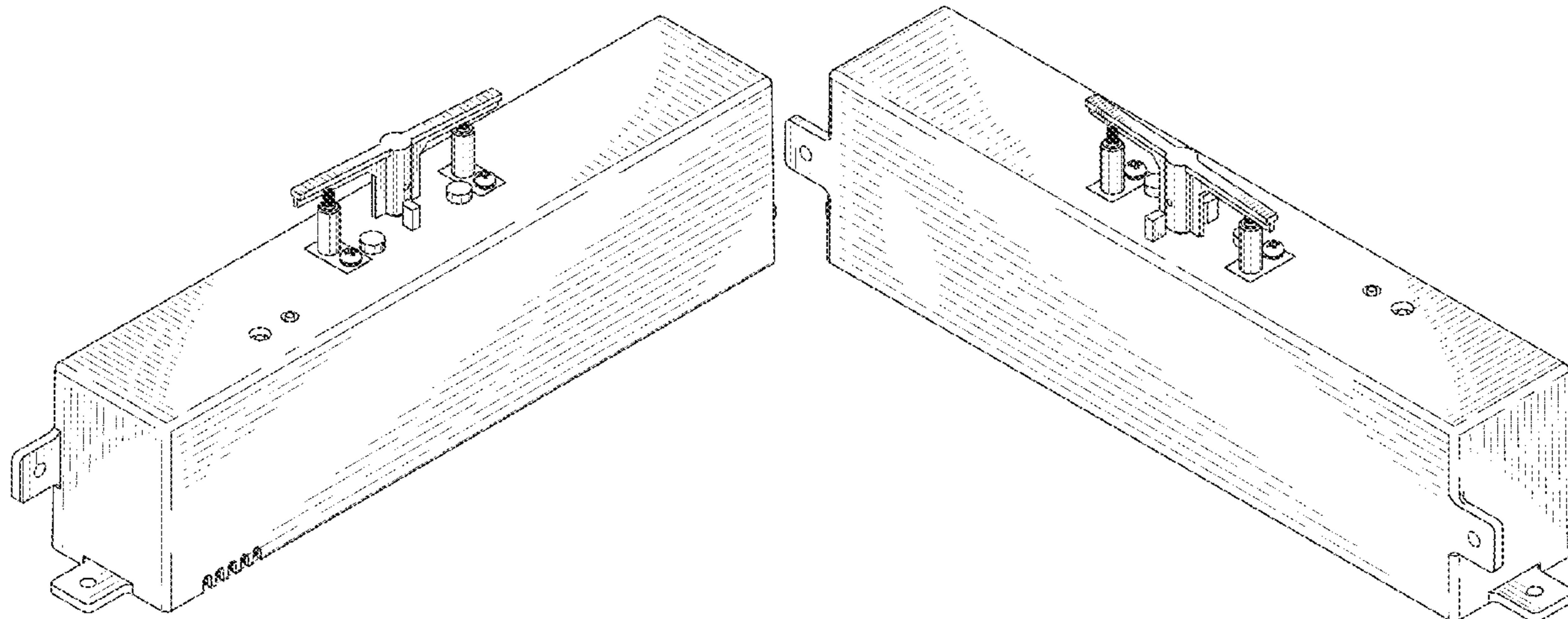
FIG. 6 is a bottom view of the self-cleaning ion generator device;

FIG. 7 is a top view of the self-cleaning ion generator device; and,

FIG. 8 is another side view of the self-cleaning ion generator device.

The broken lines depict portions of the article that form no part of the claimed design.

1 Claim, 3 Drawing Sheets



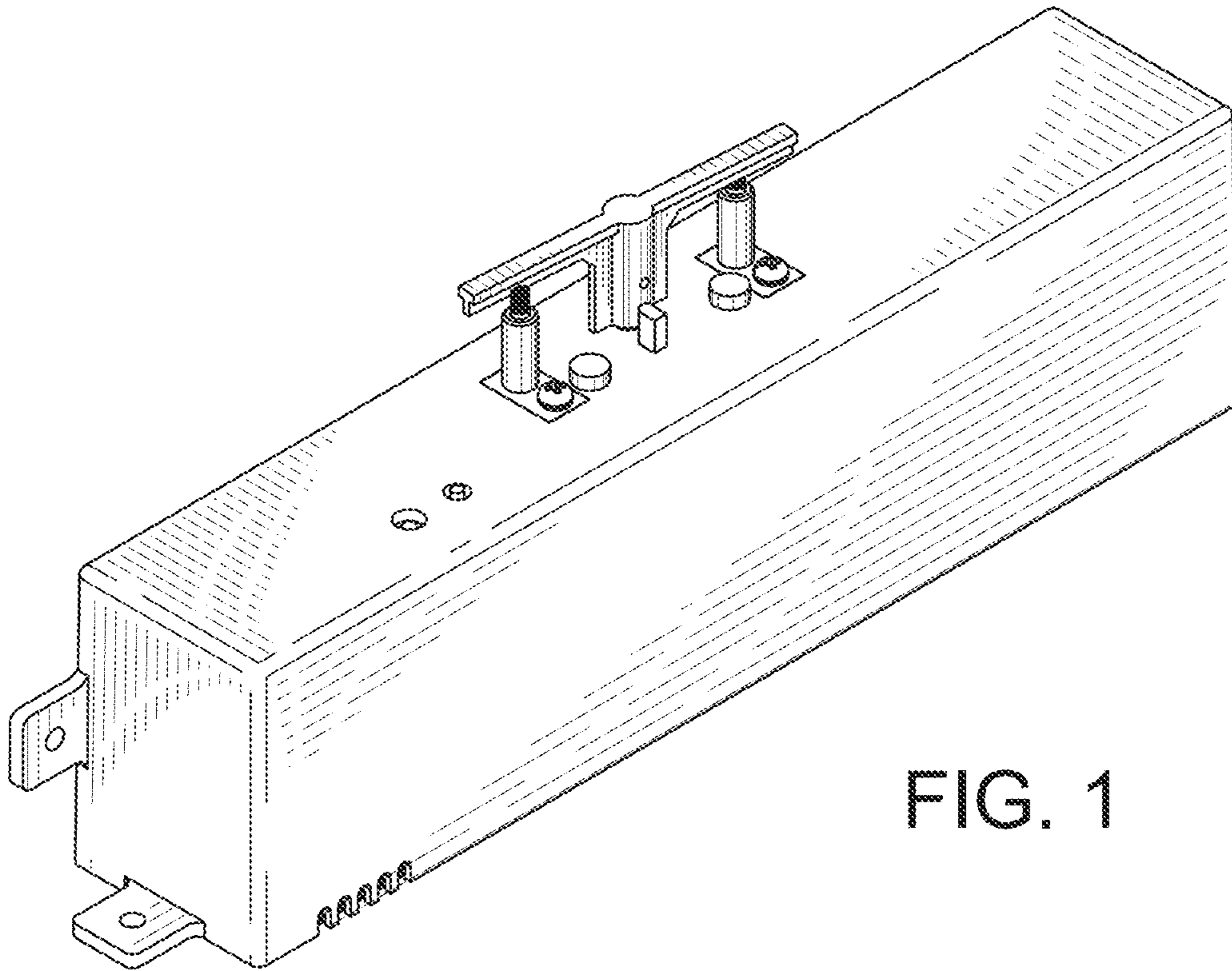


FIG. 1

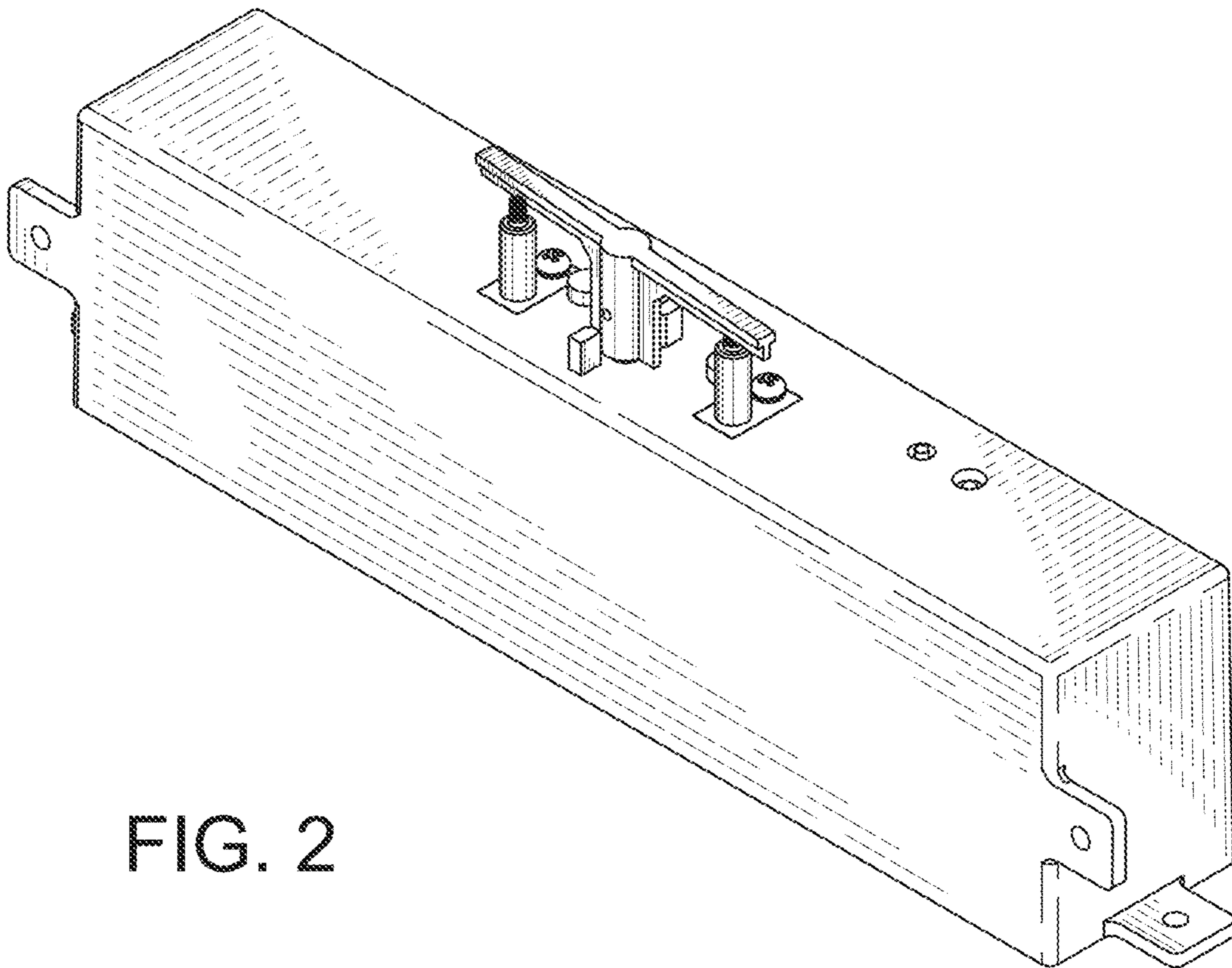


FIG. 2

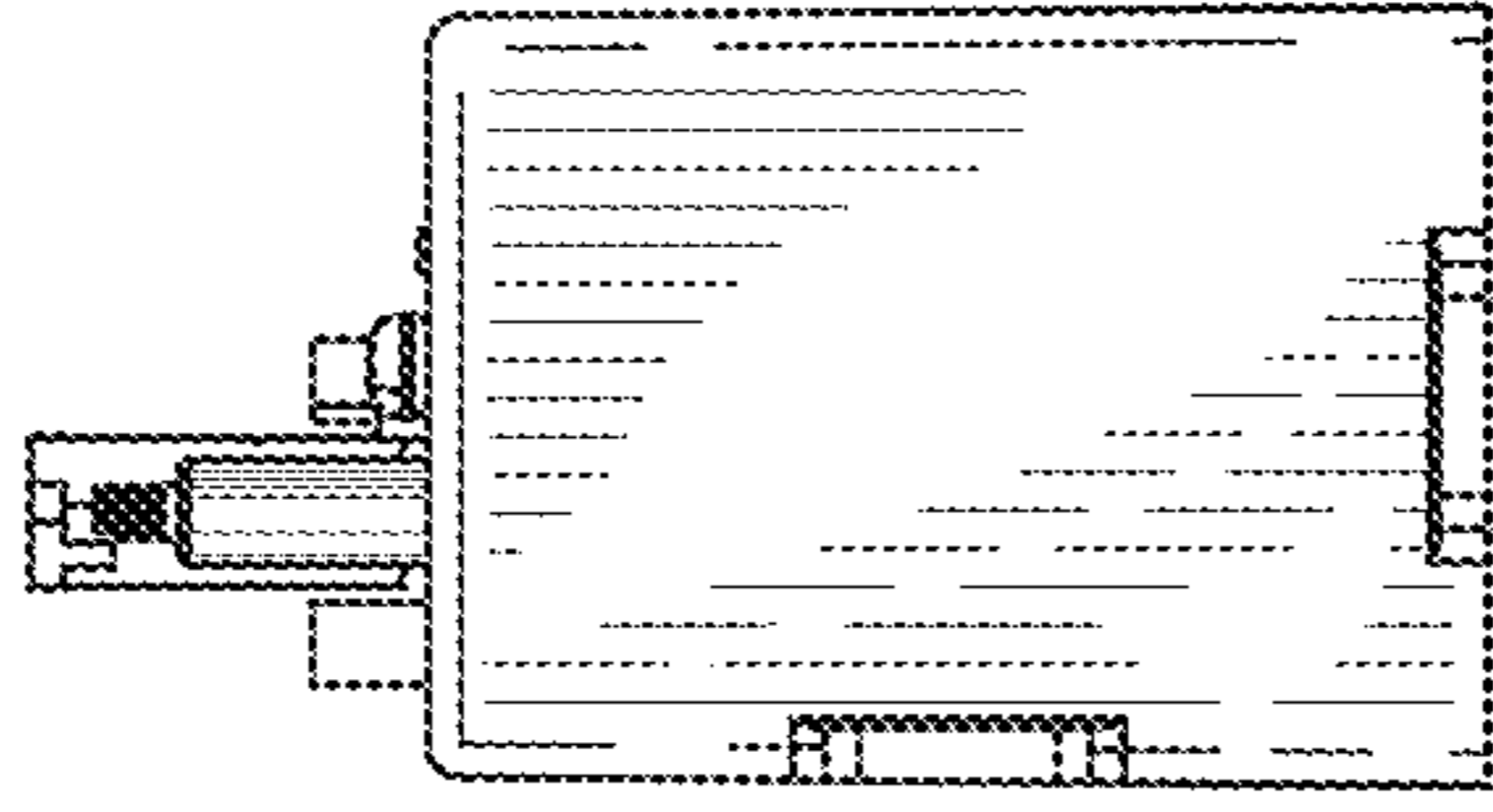


FIG. 5

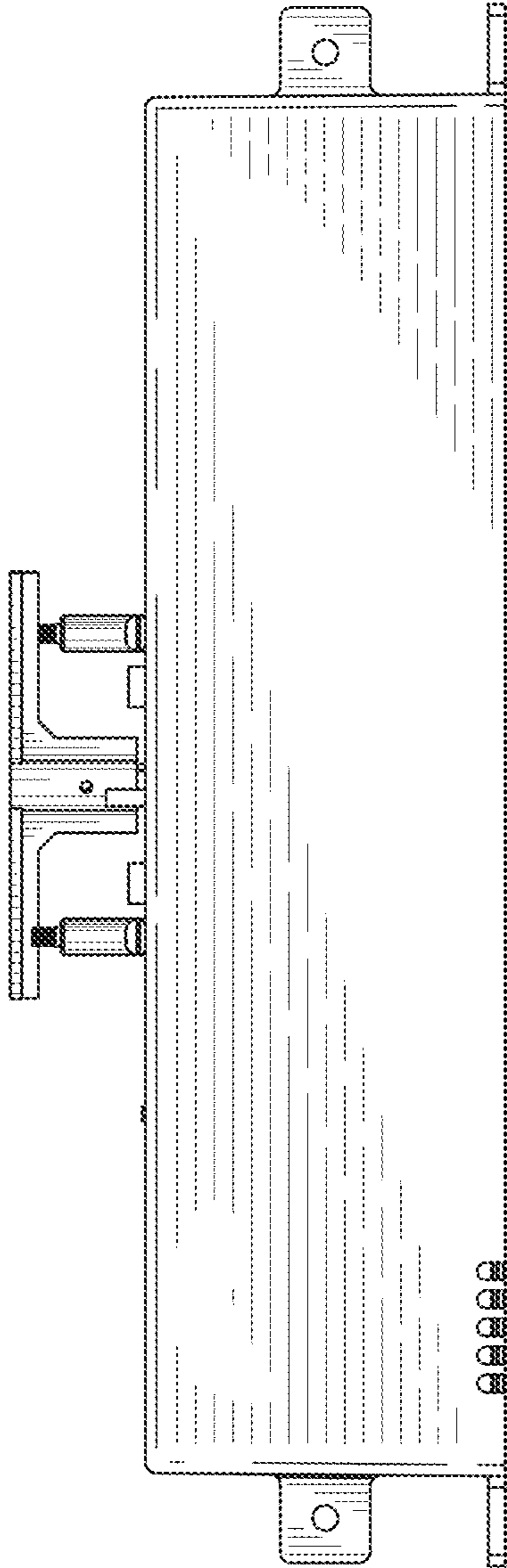


FIG. 4

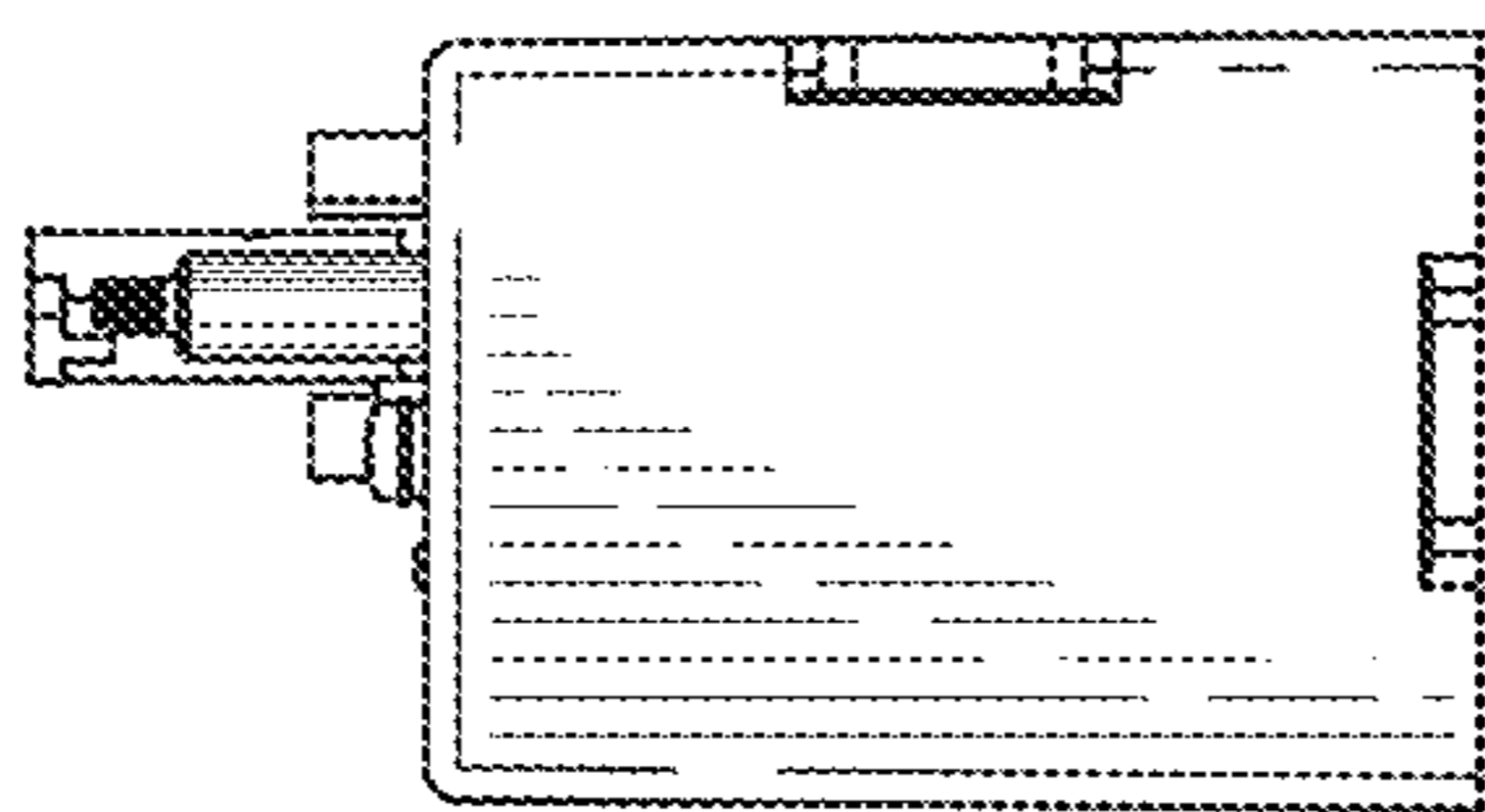


FIG. 3

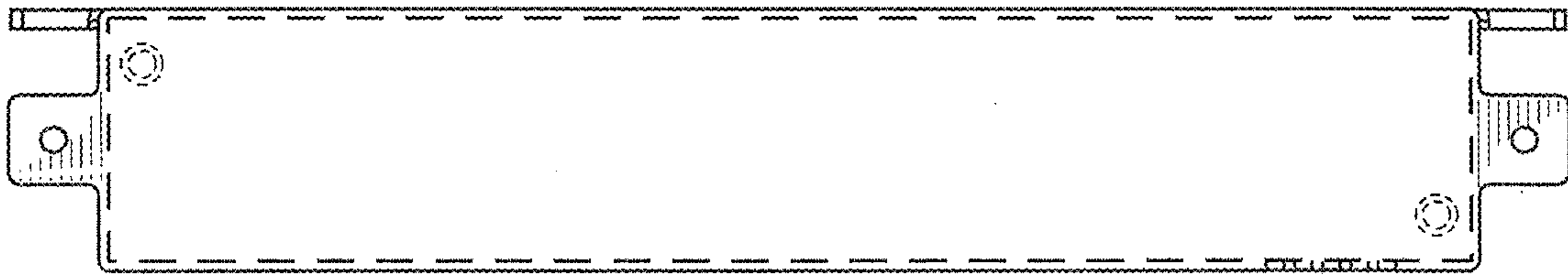


FIG. 6

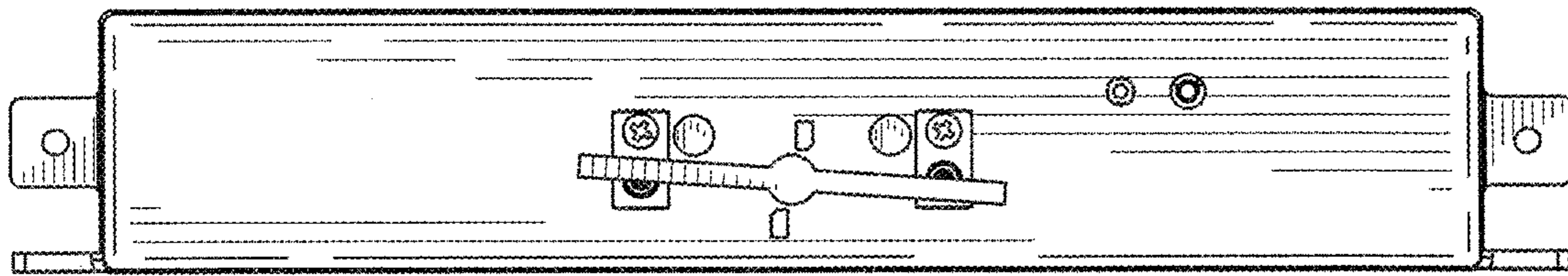


FIG. 7

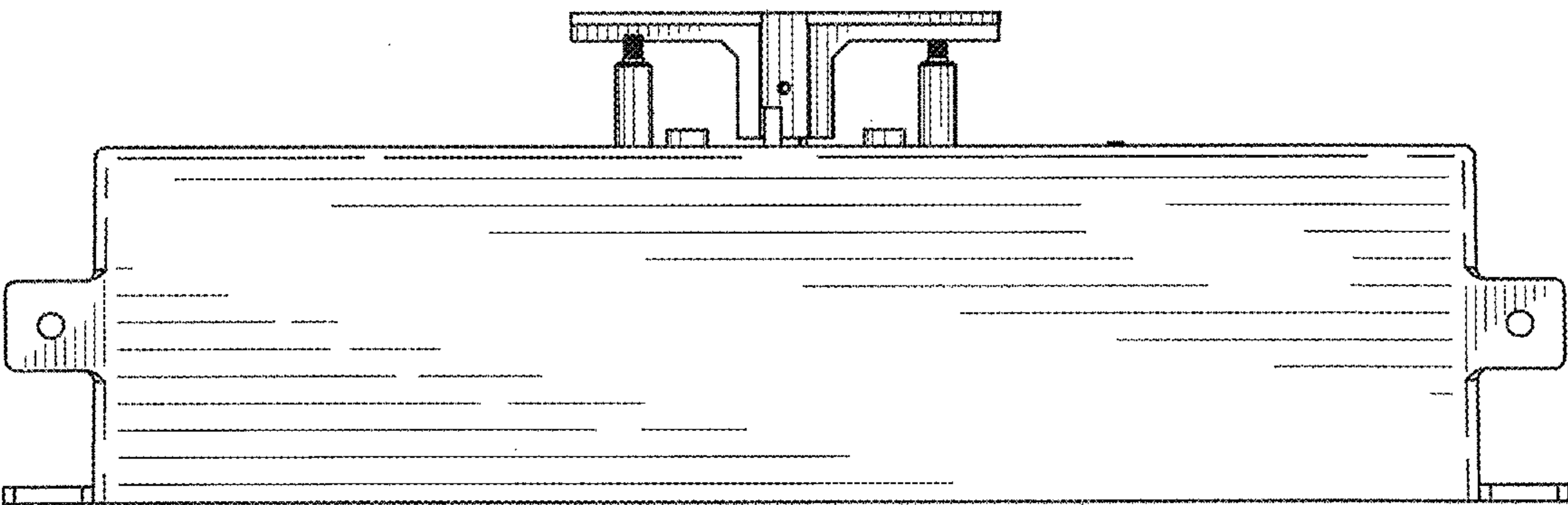


FIG. 8