



US00D875043S

(12) **United States Design Patent** (10) **Patent No.:** **US D875,043 S**
Yi (45) **Date of Patent:** **** Feb. 11, 2020**

(54) **HOLDER WITH CHARGERS**
(71) Applicant: **Xiaoling Yi**, Guangdong (CN)
(72) Inventor: **Xiaoling Yi**, Guangdong (CN)
(**) Term: **15 Years**
(21) Appl. No.: **29/709,736**
(22) Filed: **Oct. 17, 2019**
(51) **LOC (12) Cl.** **13-02**
(52) **U.S. Cl.**
USPC **D13/108**
(58) **Field of Classification Search**
USPC D13/107-108, 110, 118, 184; D14/251,
D14/253, 432, 434
CPC .. H02J 50/00; H02J 50/10; H02J 50/12; H02J
50/50; H02J 50/80; H02J 7/025; H02J
5/00; H02J 5/005
See application file for complete search history.

D855,566 S * 8/2019 Chen D13/108
D857,626 S * 8/2019 Zhang D13/108
D858,437 S * 9/2019 Lu D13/108
D870,041 S * 12/2019 Choi D13/108
2016/0261139 A1* 9/2016 Kidakarn H02J 7/025

* cited by examiner

Primary Examiner — Rosemary K Tarcza
(74) *Attorney, Agent, or Firm* — ZANIP

(57) **CLAIM**

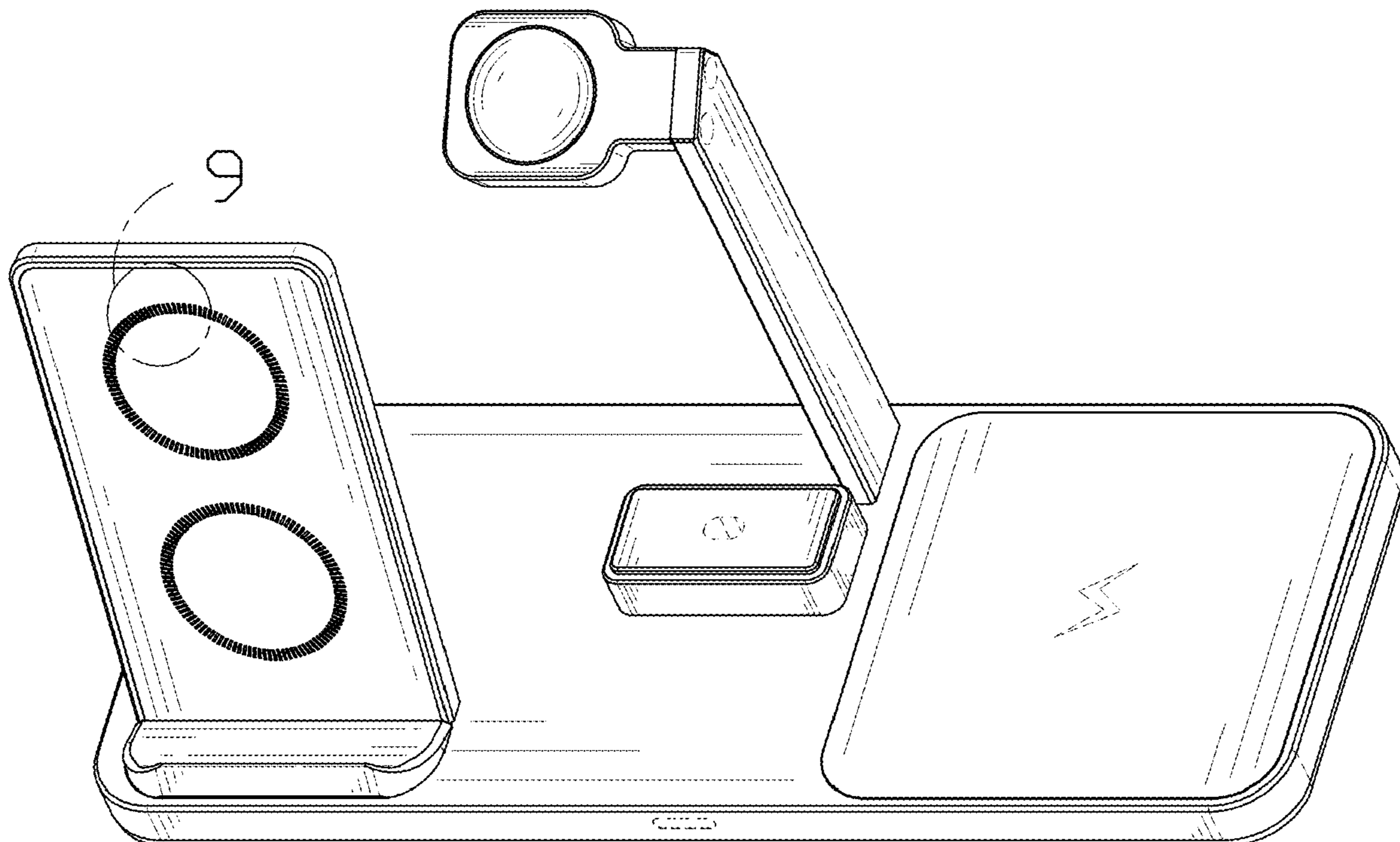
The ornamental design for a holder with chargers, as shown and described.

DESCRIPTION

FIG. 1 is a front and top perspective view of a holder with chargers, showing my new design;
FIG. 2 is a rear and top perspective view thereof;
FIG. 3 is a front elevational view thereof;
FIG. 4 is a rear elevational view thereof;
FIG. 5 is a left side elevational view thereof;
FIG. 6 is a right side elevational view thereof;
FIG. 7 is a top plan view thereof;
FIG. 8 is a bottom plan view thereof; and,
FIG. 9 is an enlarged view of a portion indicated in FIG. 1.
The broken lines in the figures illustrate portions of the holder with chargers that form no part of the claimed design.

(56) **References Cited**
U.S. PATENT DOCUMENTS
D694,706 S 12/2013 Kuo
D762,650 S * 8/2016 Dang D14/434
D813,805 S * 3/2018 Zhong D13/108
D814,413 S * 4/2018 Zhong D13/108
D826,851 S * 8/2018 Wang D13/108
D839,190 S * 1/2019 Xie D13/108
D850,369 S * 6/2019 Wang D13/108
D852,134 S * 6/2019 Mei D13/108
D852,135 S * 6/2019 Mei D13/108

1 Claim, 9 Drawing Sheets



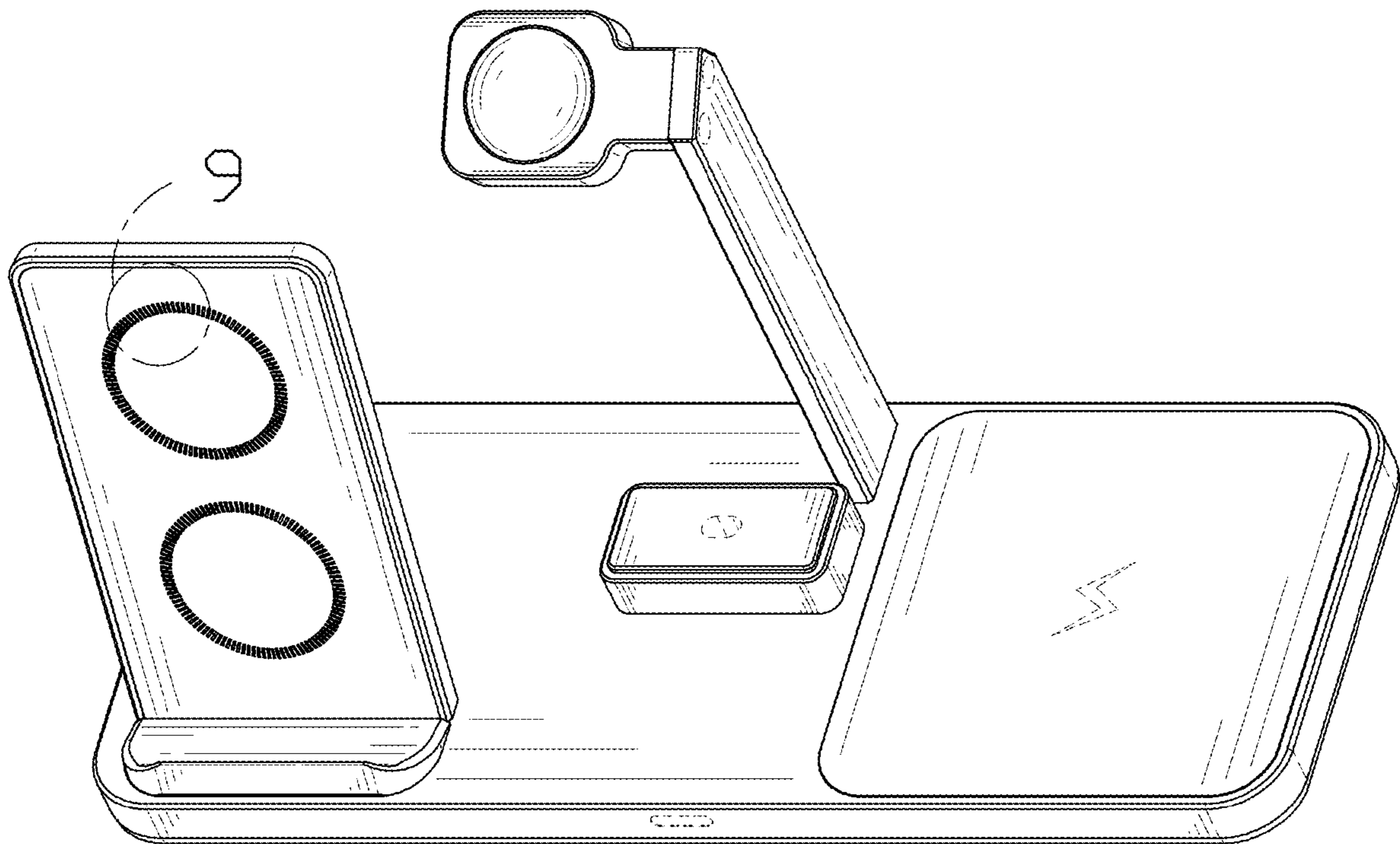


FIG. 1

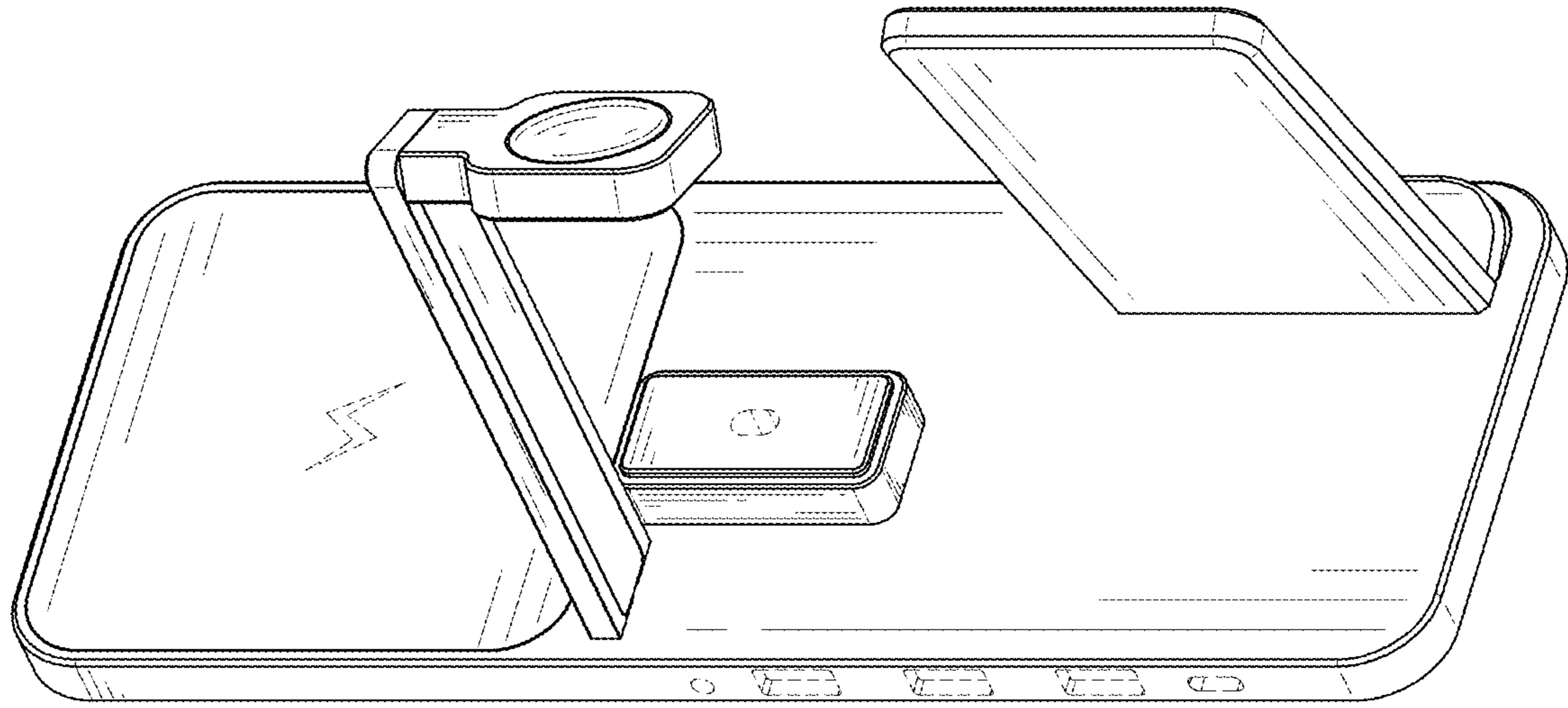


FIG. 2

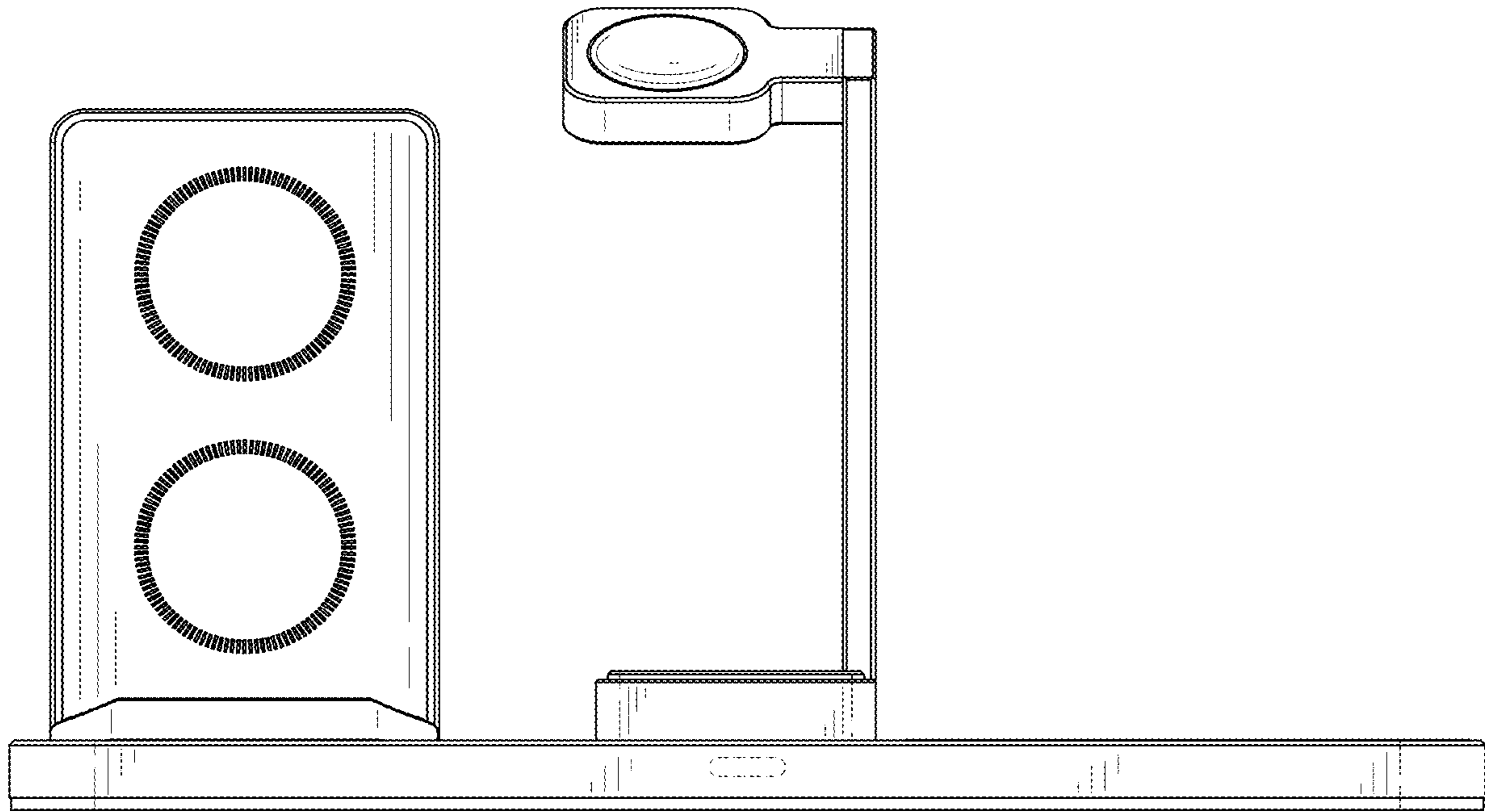


FIG. 3

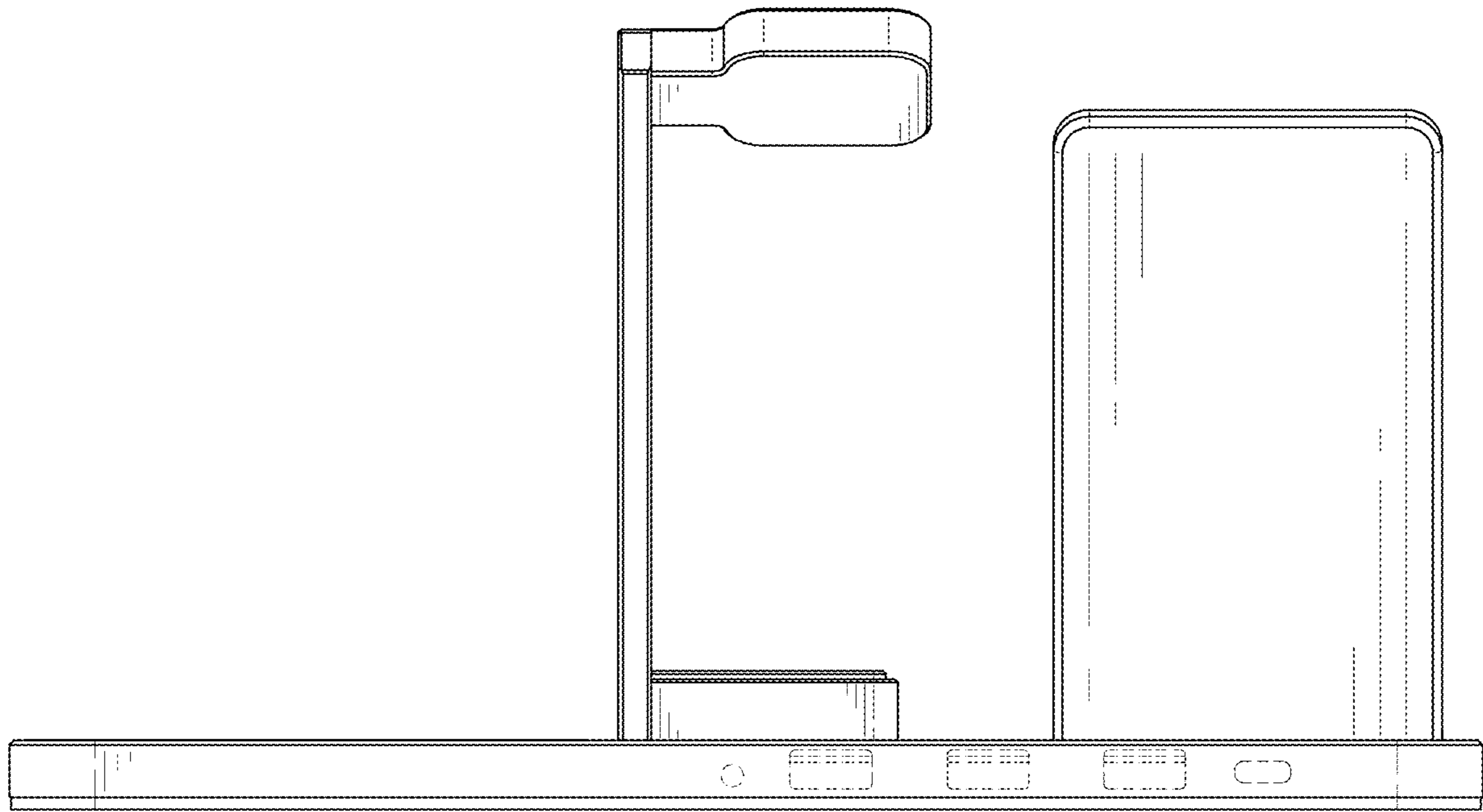


FIG. 4

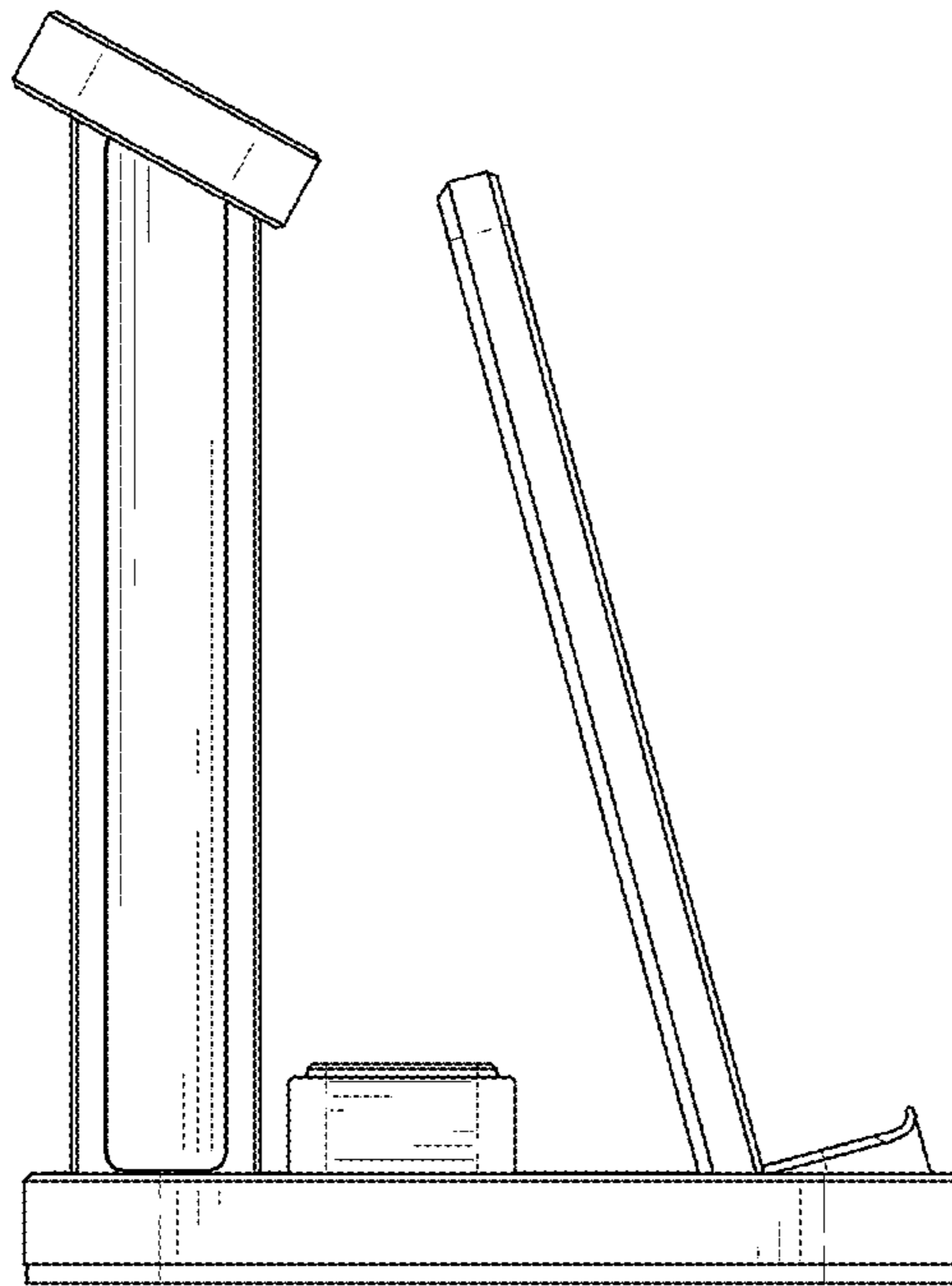


FIG. 5

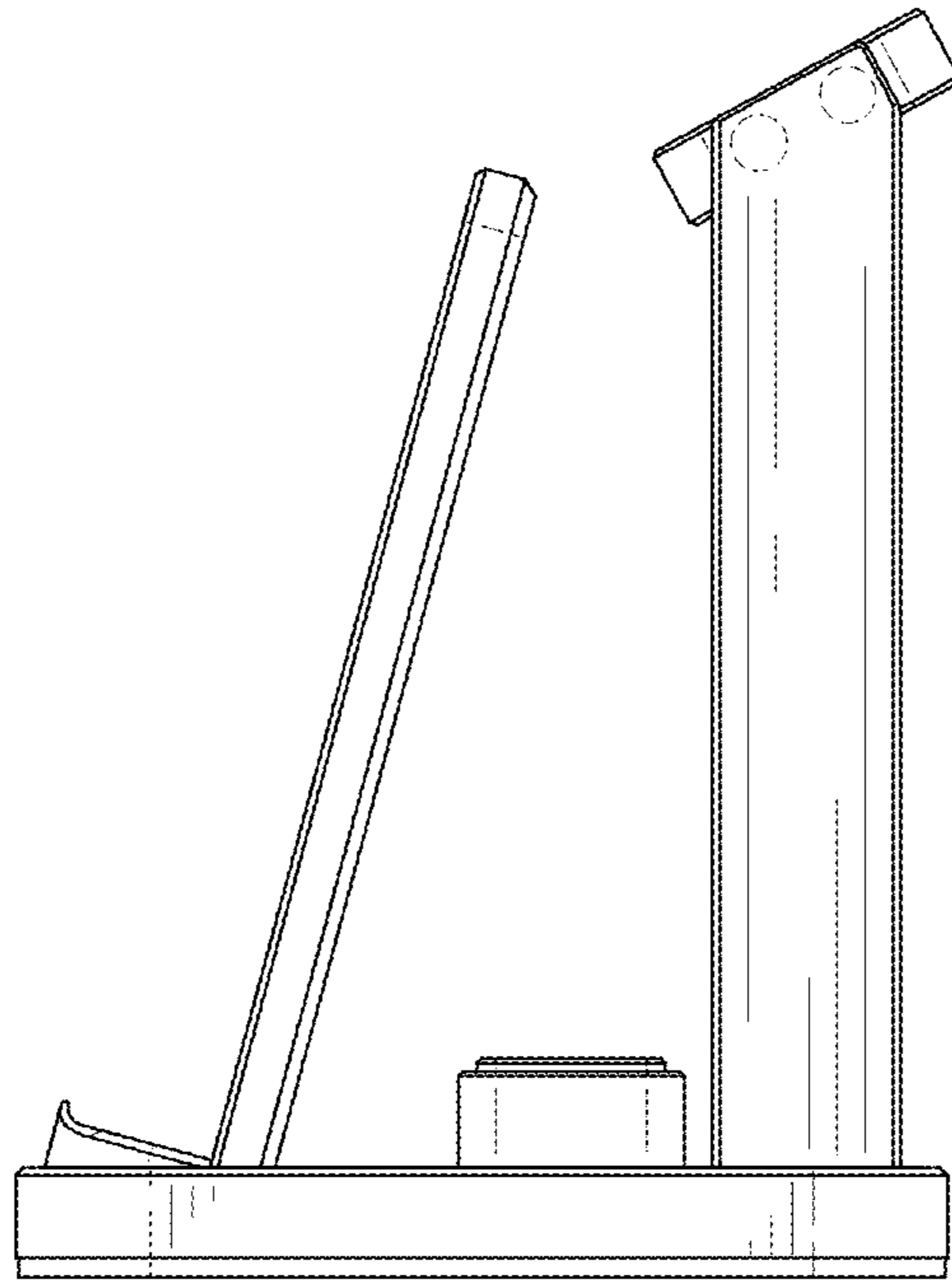


FIG. 6

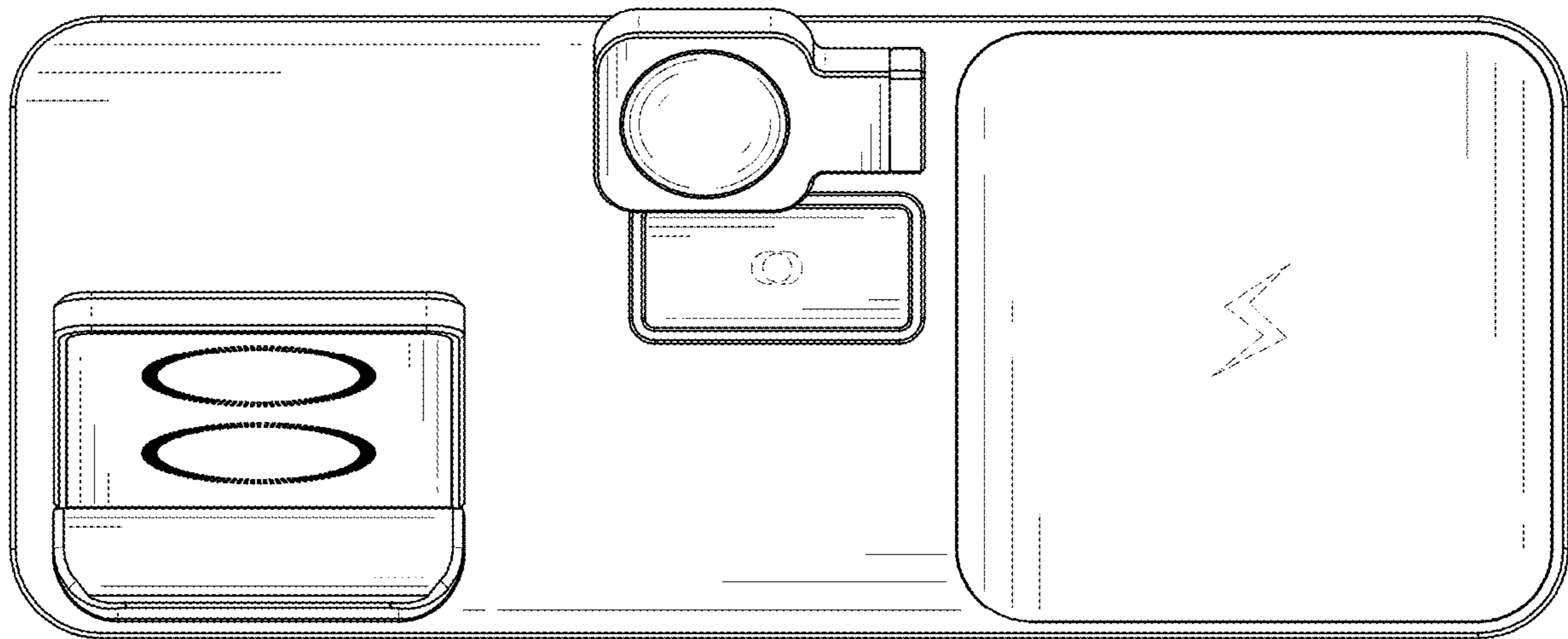


FIG. 7

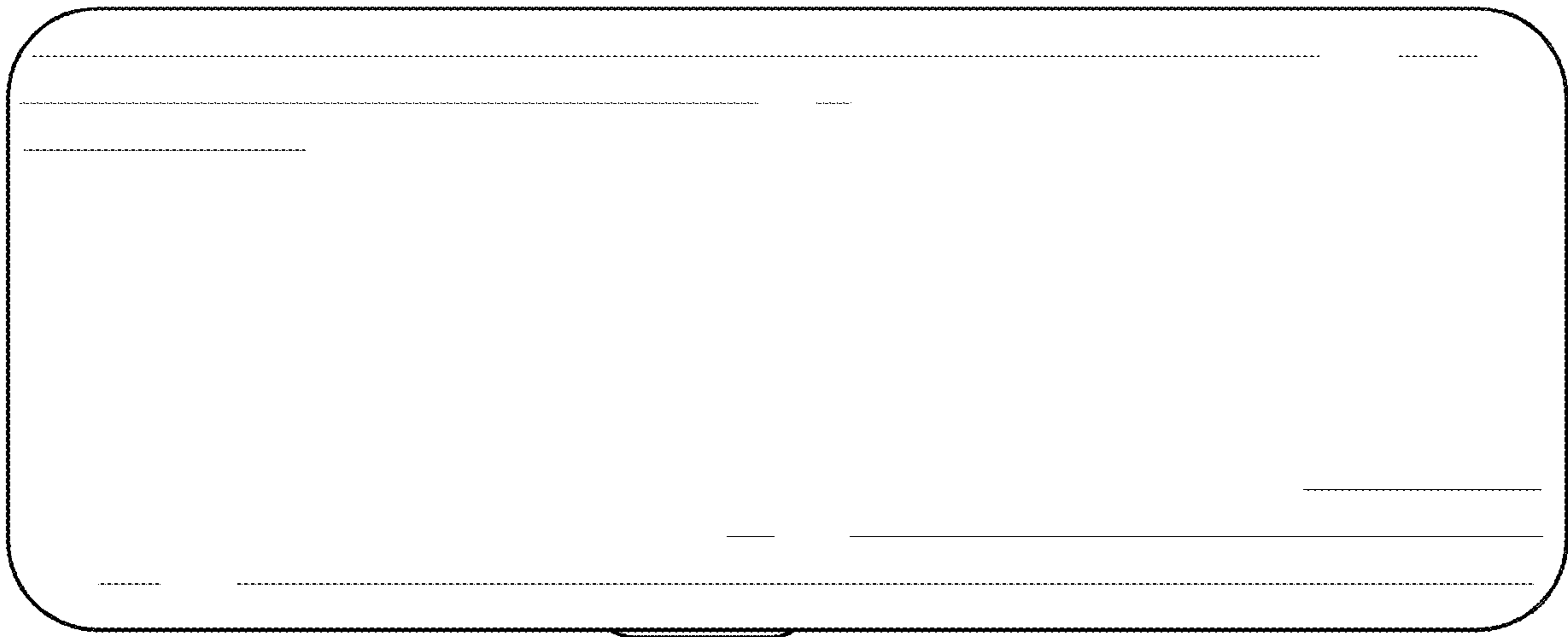


FIG. 8

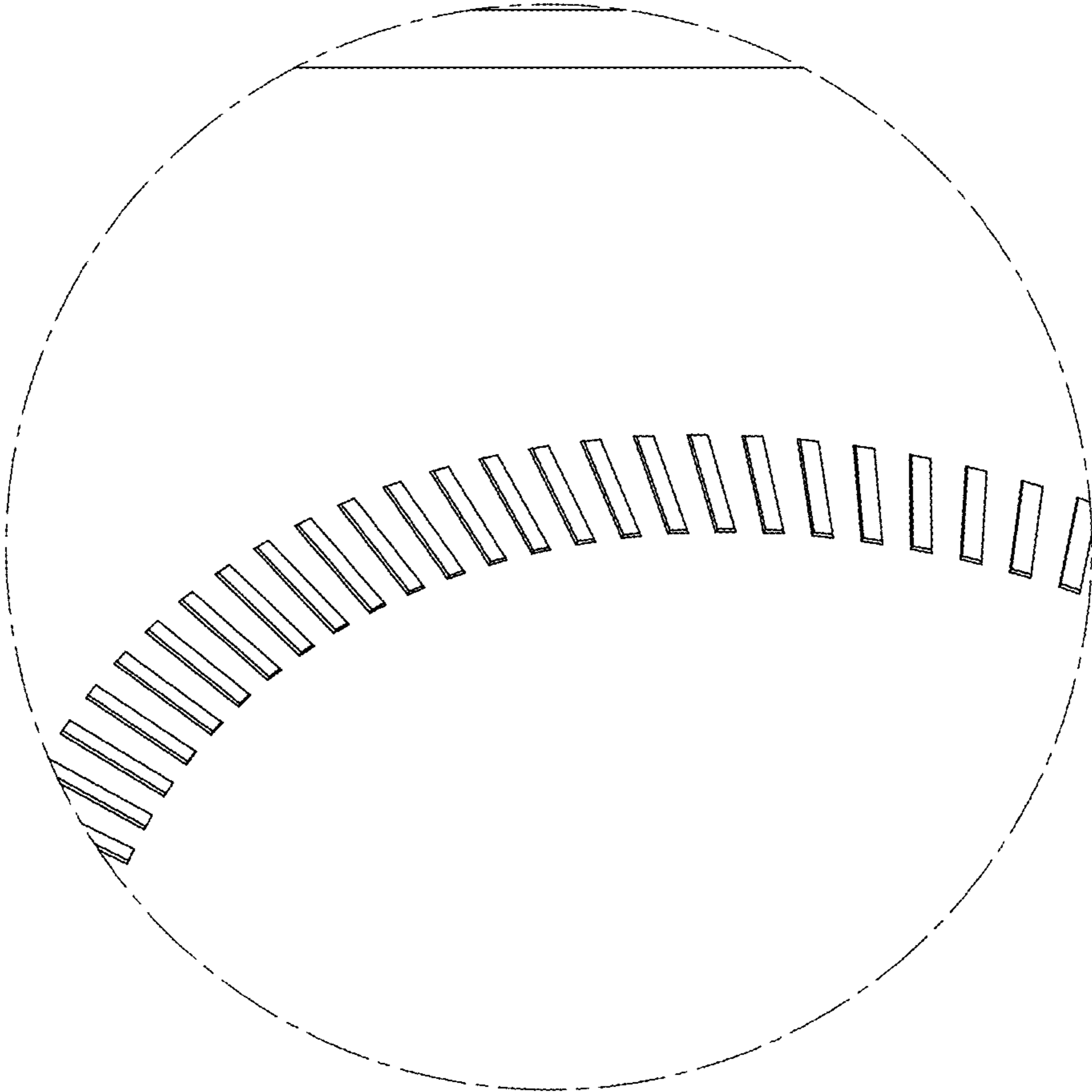


FIG. 9