

US00D875039S

(12) **United States Design Patent**
Parra et al.

(10) **Patent No.:** **US D875,039 S**

(45) **Date of Patent:** **** Feb. 11, 2020**

(54) **CONTROLLER CHARGING HOLDER**

(71) Applicant: **Kingston Digital, Inc.**, Fountain Valley, CA (US)

(72) Inventors: **Salvador Parra**, Fountain Valley, CA (US); **Baron King Lee**, Fountain Valley, CA (US); **Jimmy Huynh**, Fountain Valley, CA (US); **Lung Yuan Chen**, Hsinchu (TW)

(73) Assignee: **Kingston Digital, Inc.**, Fountain Valley, CA (US)

(**) Term: **15 Years**

(21) Appl. No.: **29/672,331**

(22) Filed: **Dec. 4, 2018**

(51) **LOC (12) Cl.** **13-02**

(52) **U.S. Cl.**
USPC **D13/107**

(58) **Field of Classification Search**
USPC D13/103-110, 118, 119, 184, 199;
D14/251, 253, 432, 434
CPC Y02E 60/10; Y02E 60/12; Y02E 60/122;
Y02E 60/124; Y02E 60/50; H01M 2/02;
H01M 2/022; H01M 2/0202; H01M
2/0207; H01M 2/0212; H01M 2/1061;
H01M 2/1022; H01M 2/1055; H01M
2/1066; H01M 2/105; H01M 2/20; H01M
2/202; H01M 2/204; H01M 2/206; H01M
10/44; H01M 10/46; H01M 10/465;
H01M 10/482; H01M 2200/30; H01M
2250/30; H01M 2250/40; H02J 7/00;
H02J 7/0003; H02J 7/0011; H02J 7/0013;
H02J 7/0054; H02J 7/0055; H02J 7/0057;
H02J 2007/0062

See application file for complete search history.

(56) **References Cited**

U.S. PATENT DOCUMENTS

D483,327 S	*	12/2003	Matsuoka	D13/108
D483,328 S	*	12/2003	Suzuki	D13/108
D486,787 S	*	2/2004	Krieger	D13/108
D548,689 S	*	8/2007	Baxter	D13/108
D754,065 S	*	4/2016	Gray	D13/110
D783,524 S	*	4/2017	Ju	D13/108
D795,805 S	*	8/2017	Gray	D13/110
D813,240 S	*	3/2018	Yeruva	D14/434
D839,824 S	*	2/2019	Parra	D13/107

* cited by examiner

Primary Examiner — Rosemary K Tarcza

Assistant Examiner — Christy M Nemeth

(74) *Attorney, Agent, or Firm* — Skaar Ulbrich Macari, P.A.

(57) **CLAIM**

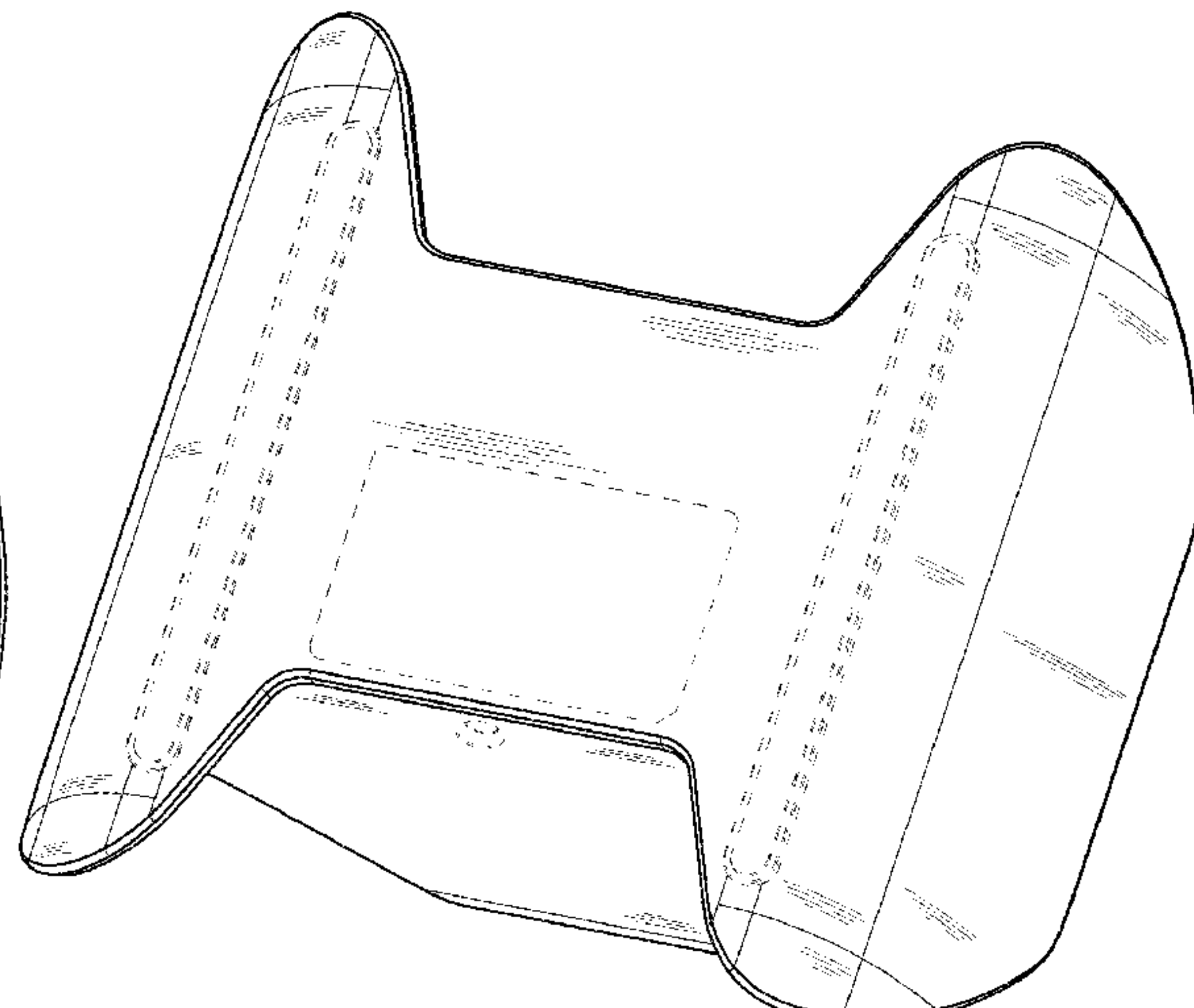
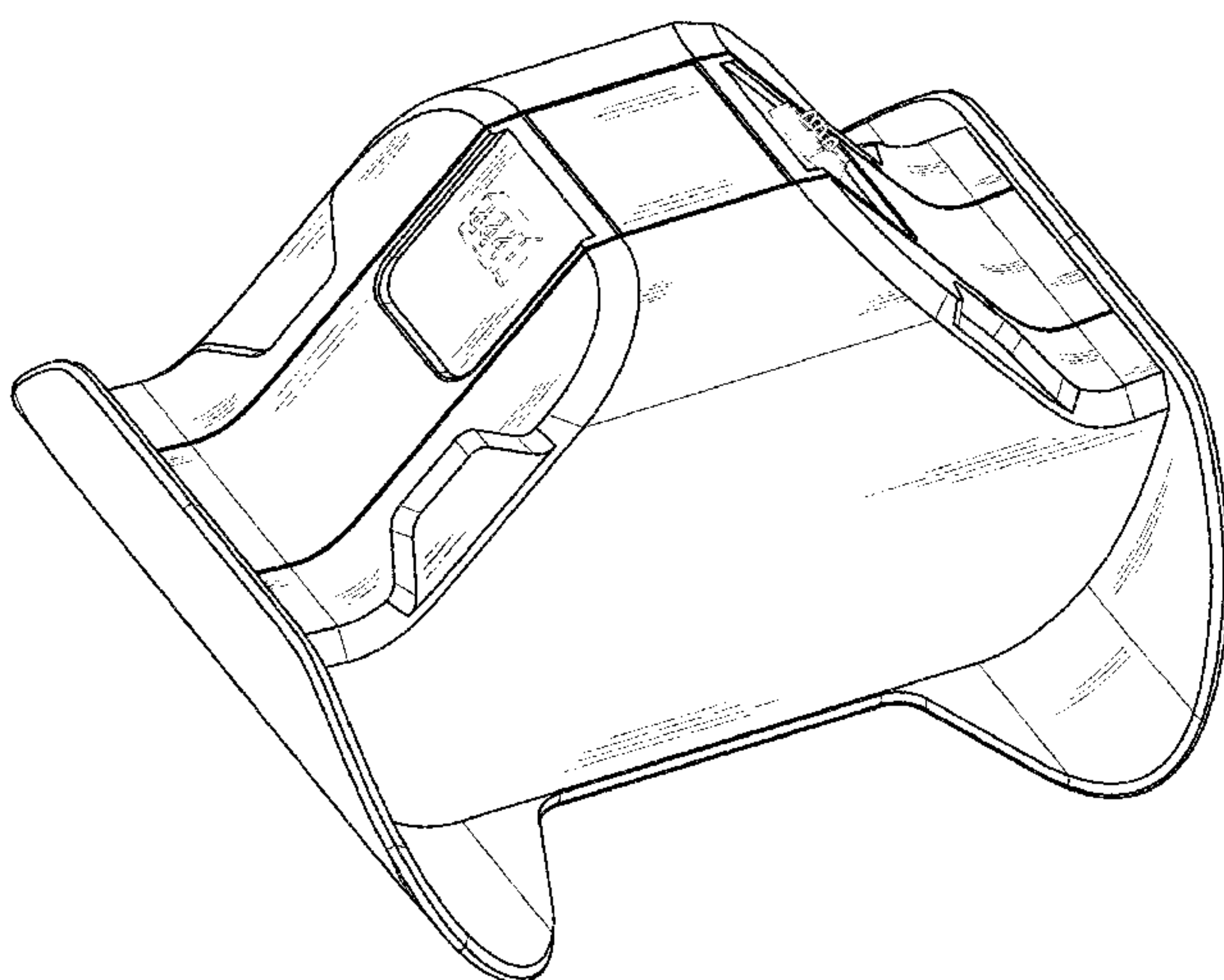
The ornamental design for a controller charging holder, as shown and described.

DESCRIPTION

FIG. 1 is a first perspective view of a controller charging holder showing our design;
FIG. 2 is a second perspective view of FIG. 1;
FIG. 3 is a third perspective view of FIG. 1;
FIG. 4 is a front elevational view of FIG. 1;
FIG. 5 is a rear elevational view of FIG. 1;
FIG. 6 is a left side elevational view of FIG. 1;
FIG. 7 is a right side elevational view of FIG. 1;
FIG. 8 is a top plan view of FIG. 1; and,
FIG. 9 is a bottom plan view of FIG. 1.

The broken lines in the figures represent portions of the controller charging holder which form no part of the claimed design.

1 Claim, 9 Drawing Sheets



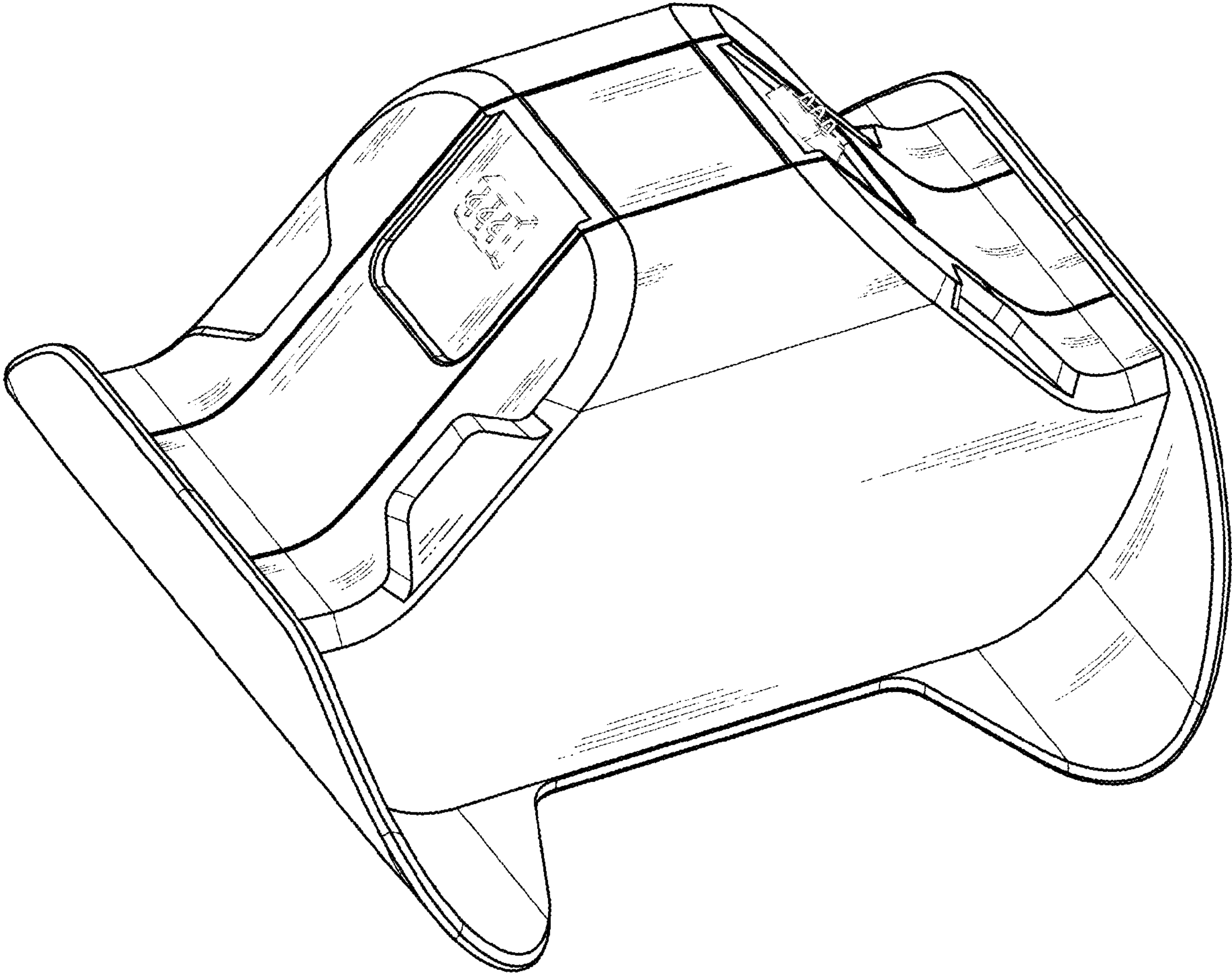


FIG. 1

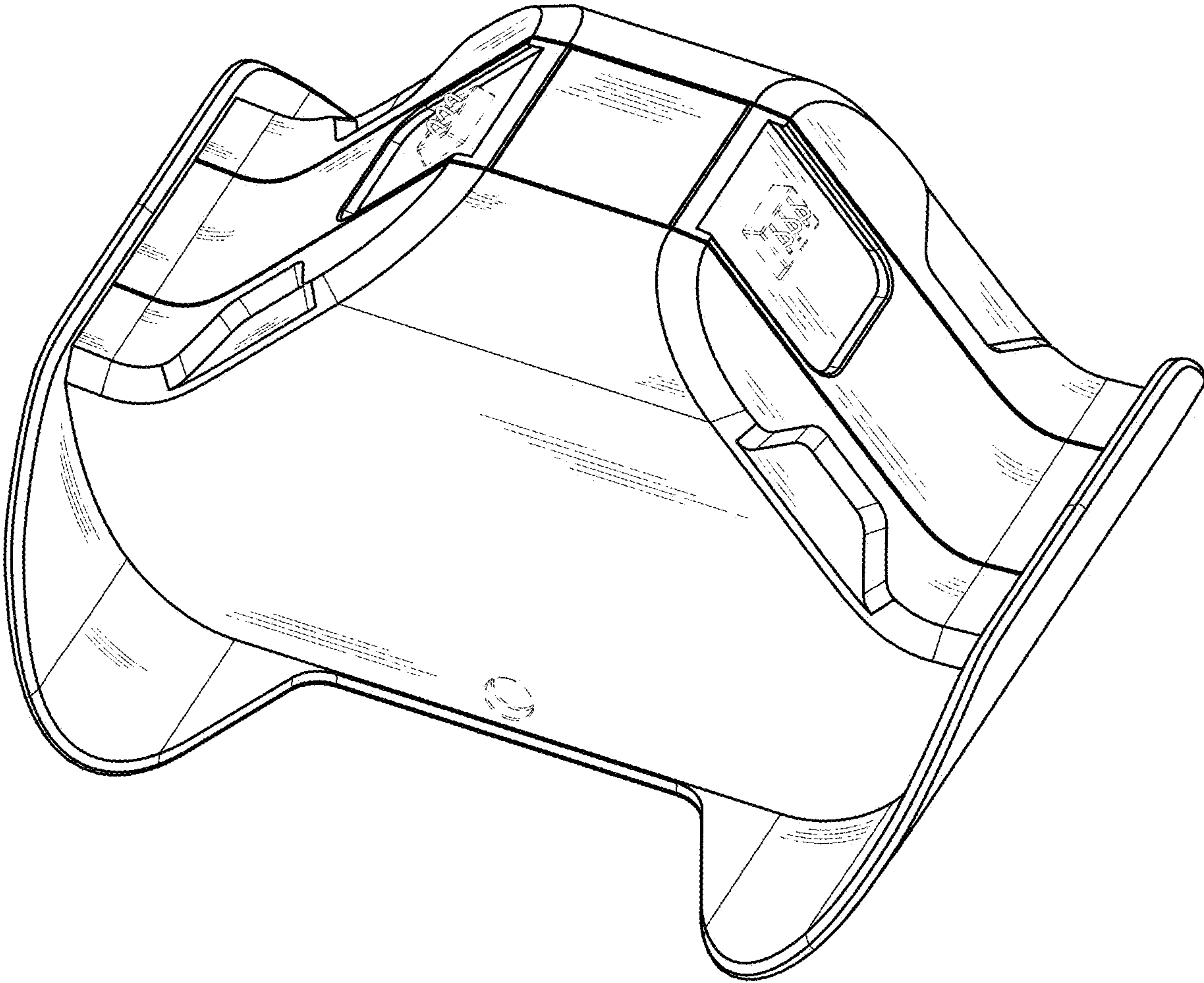


FIG. 2

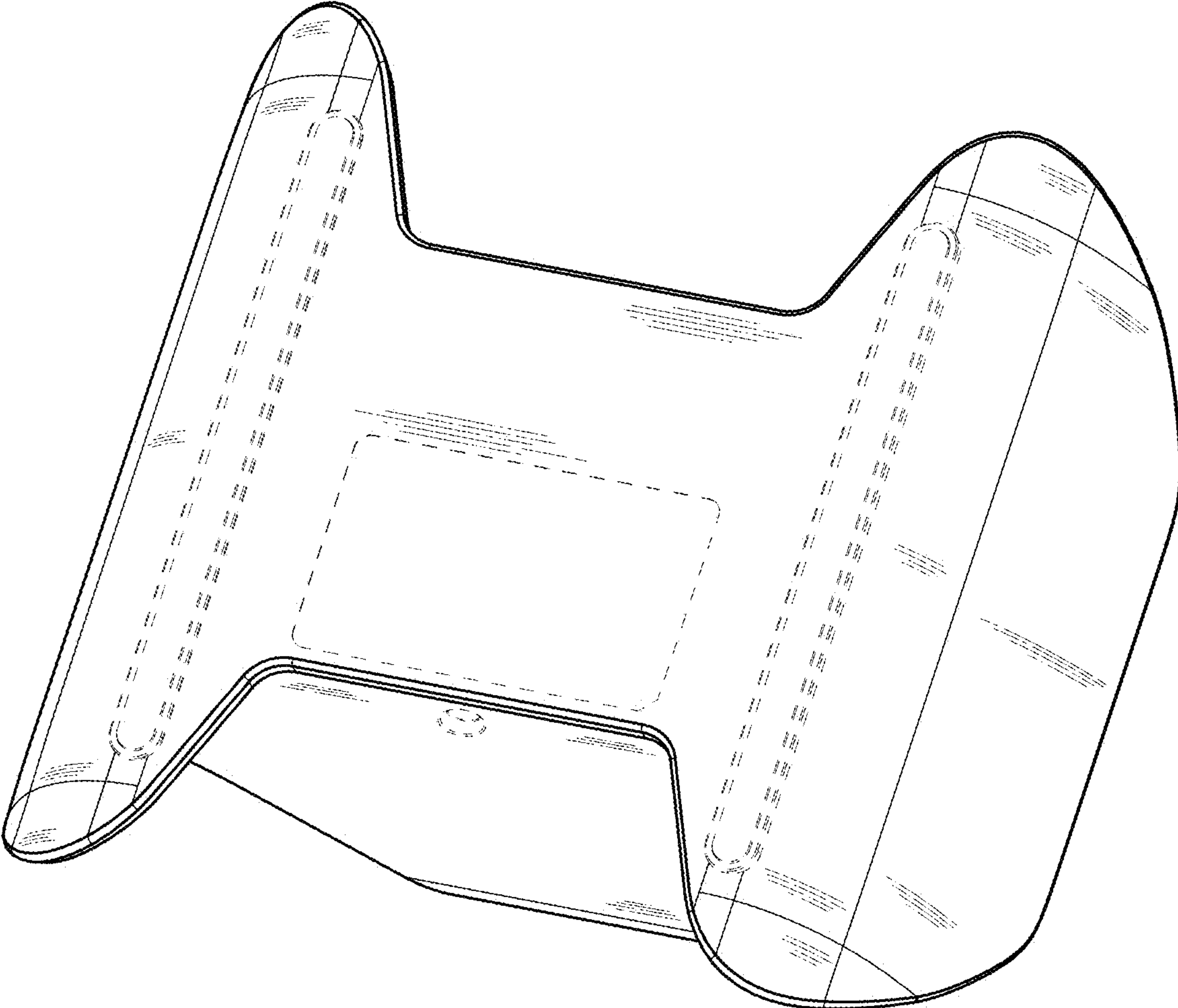


FIG. 3

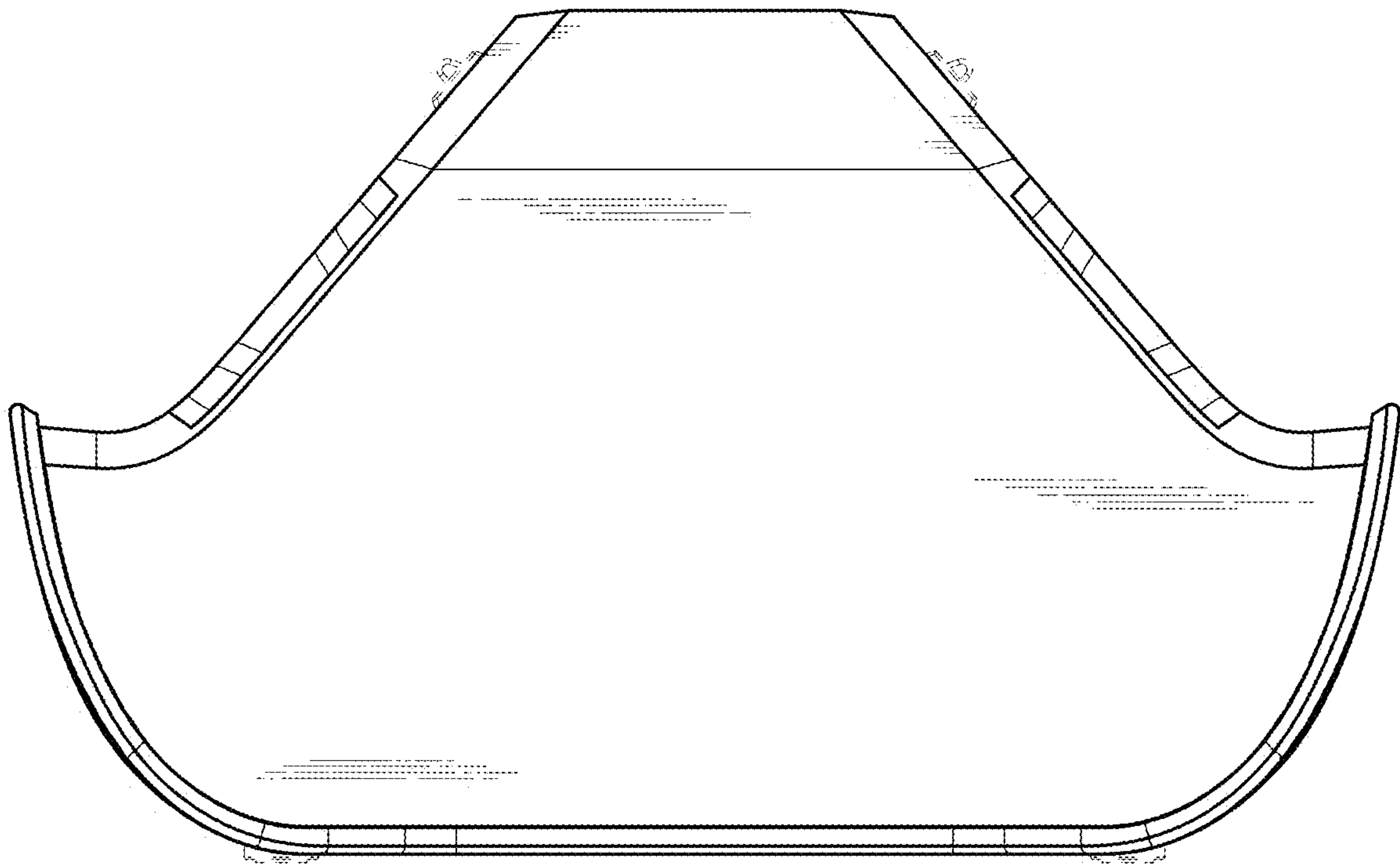


FIG. 4

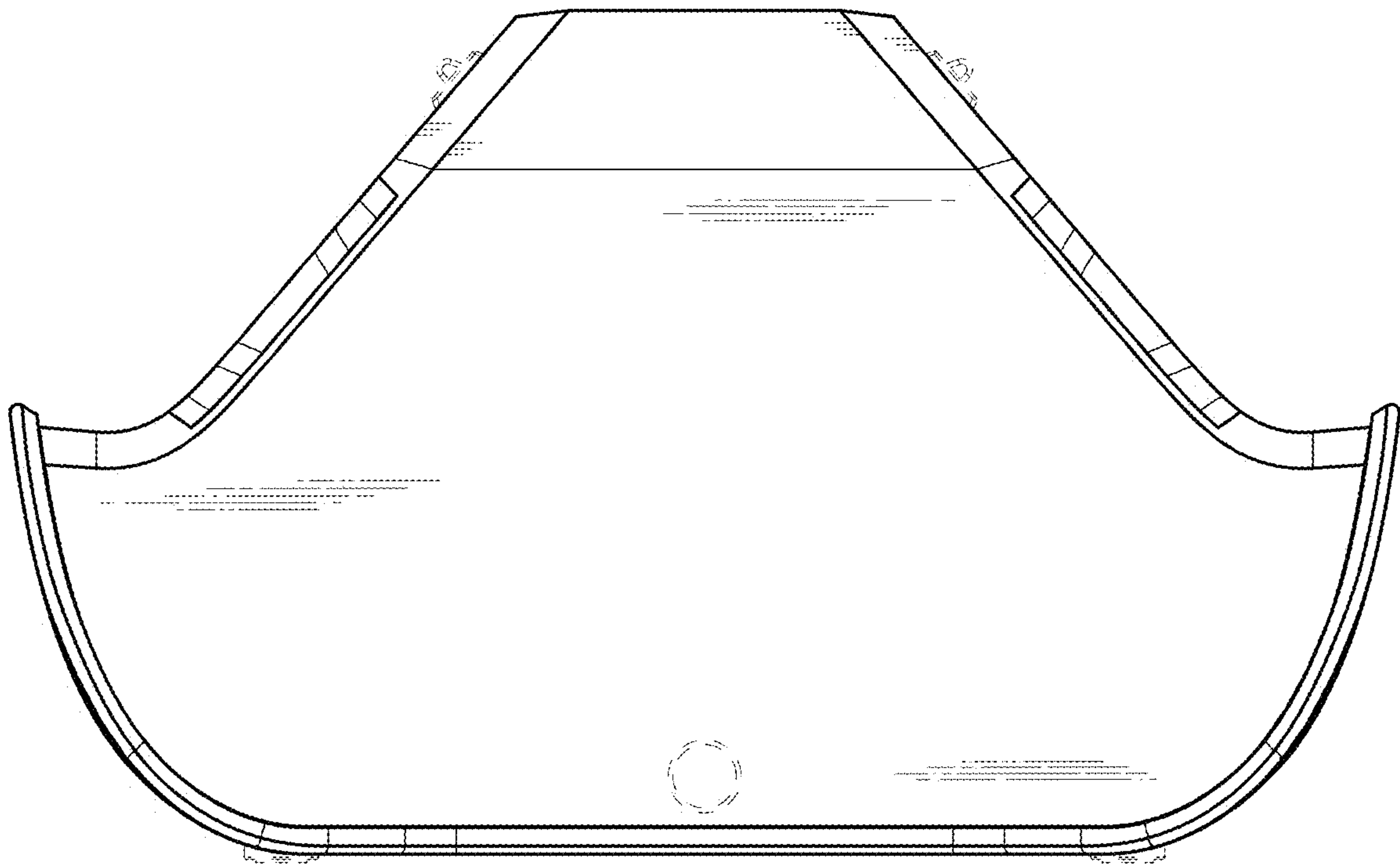


FIG. 5

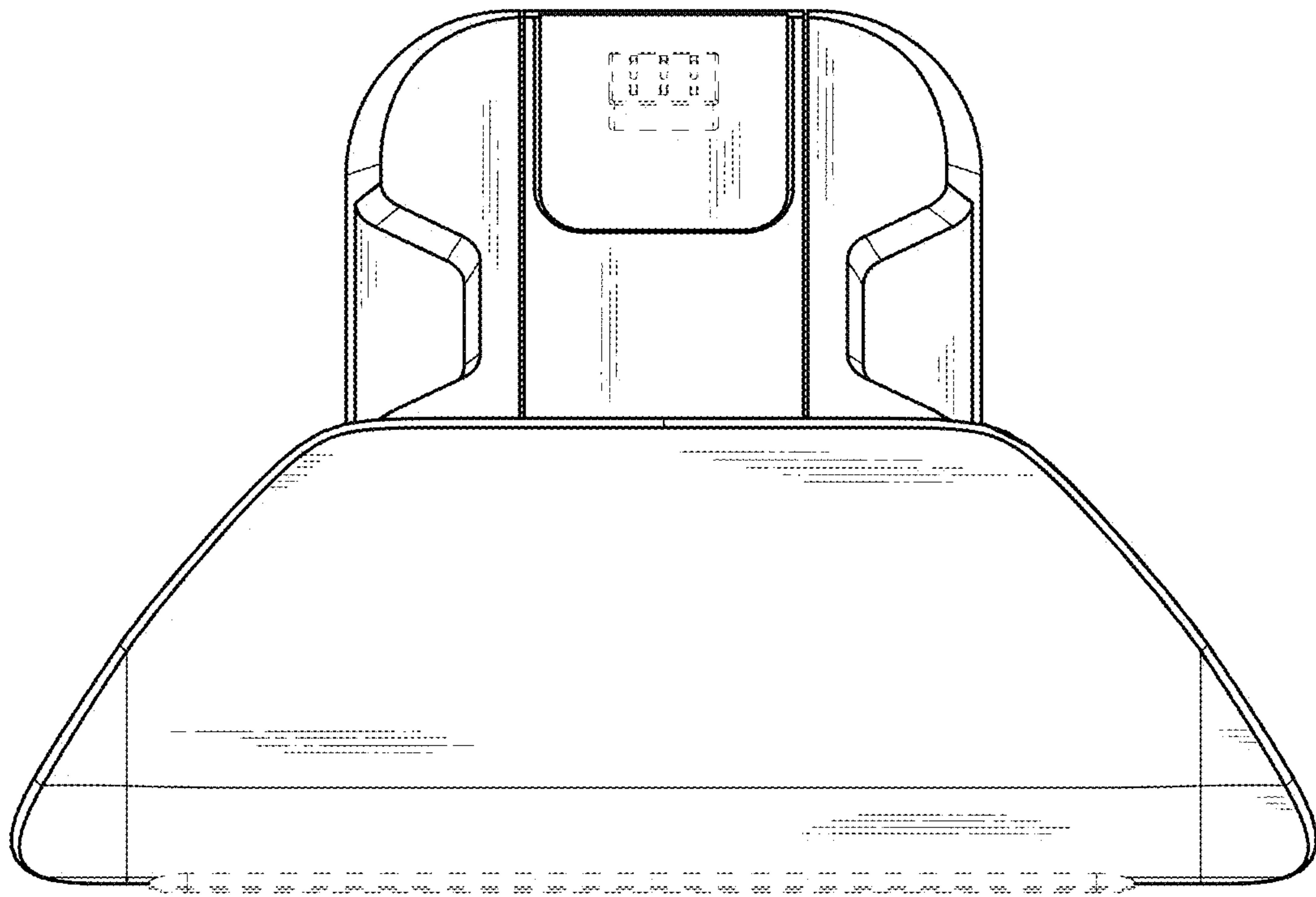


FIG. 6

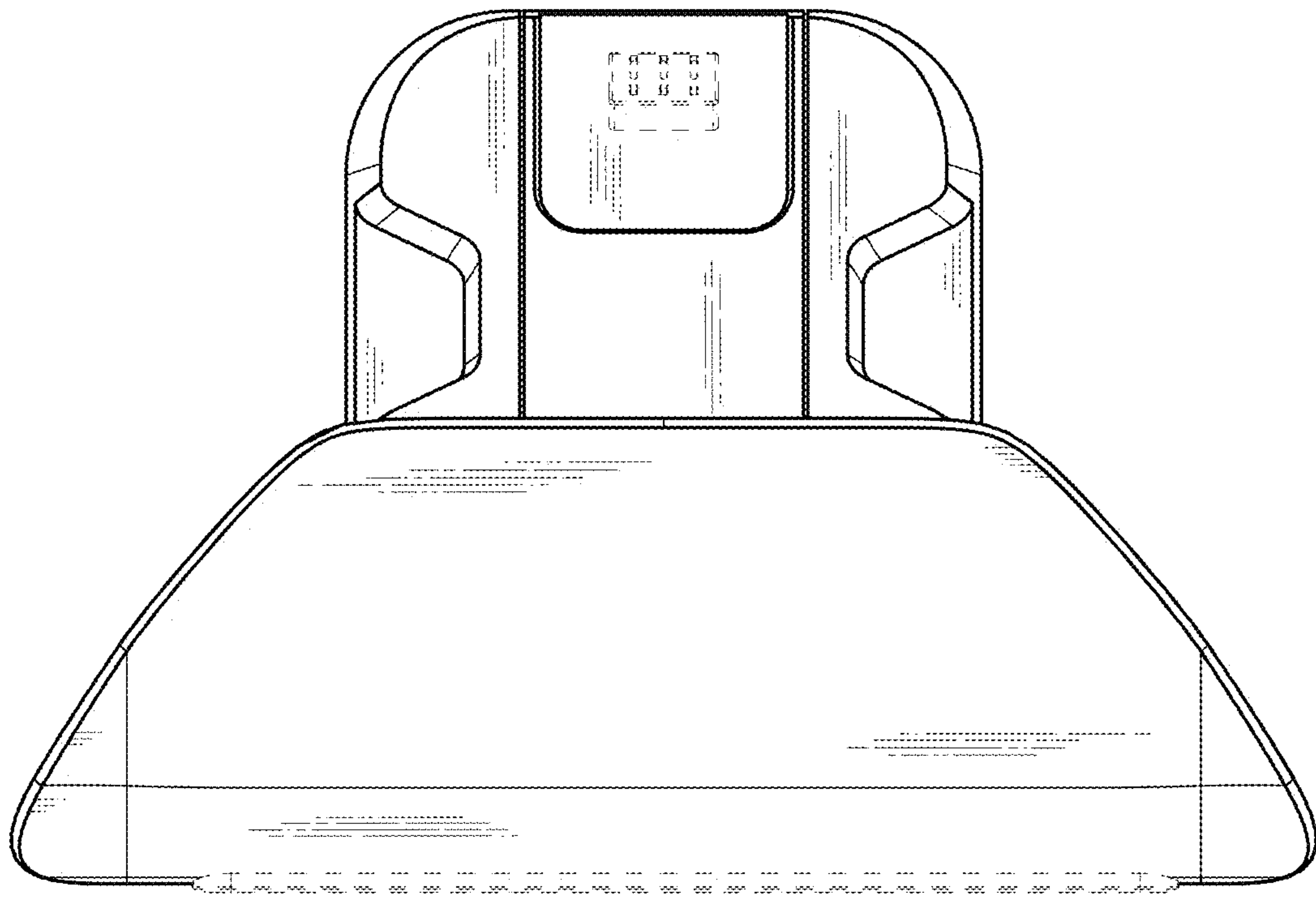


FIG. 7

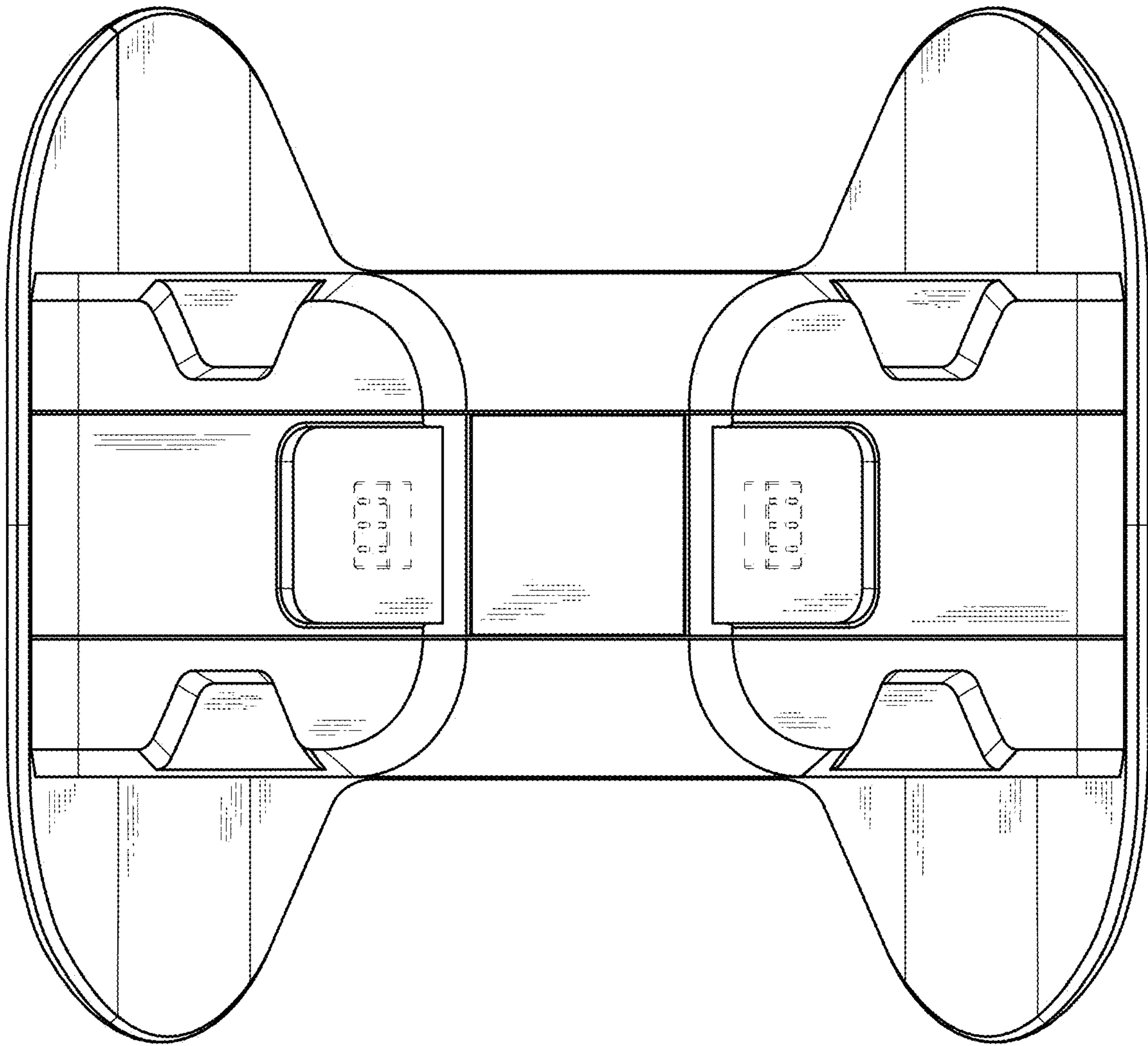


FIG. 8

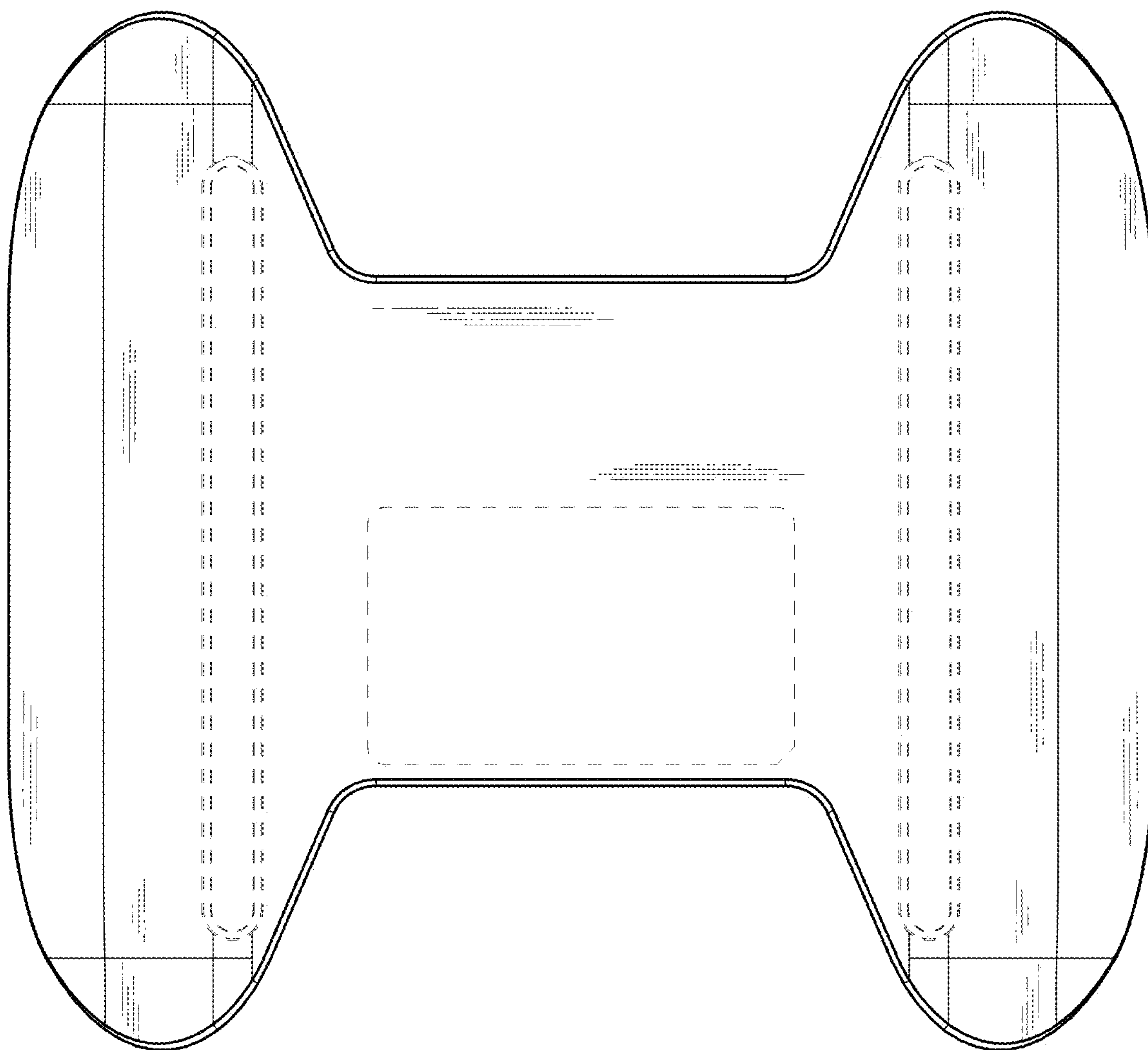


FIG. 9