



US00D875029S

(12) **United States Design Patent**  
**Ma et al.**

(10) **Patent No.:** **US D875,029 S**

(45) **Date of Patent:** **\*\* Feb. 11, 2020**

- (54) **DOOR STORAGE BOX FOR CAR**
- (71) Applicant: **Shenzhen LiFan Trading Co., Ltd.**,  
Shenzhen (CN)
- (72) Inventors: **Wei Ma**, Bozhou (CN); **Jinlong Yang**,  
Gansu (CN)
- (\*\*) Term: **15 Years**
- (21) Appl. No.: **29/702,622**
- (22) Filed: **Aug. 21, 2019**
- (51) **LOC (12) Cl.** ..... **12-16**
- (52) **U.S. Cl.**  
USPC ..... **D12/422**
- (58) **Field of Classification Search**  
USPC ..... D12/422, 400, 217; D9/678, 681, 711;  
D3/11, 203.5, 206, 23, 265  
CPC ..... B60R 11/00; B60N 2/44; B60J 9/00  
See application file for complete search history.

D865,647 S \* 11/2019 Goh ..... D12/422  
 2007/0235399 A1\* 10/2007 Kim ..... A47F 7/0071  
 211/85.4  
 2011/0266820 A1\* 11/2011 Hurwitz ..... B60N 2/6009  
 296/1.07

\* cited by examiner

*Primary Examiner* — Katrina A Betton  
(74) *Attorney, Agent, or Firm* — ZANIP

(57) **CLAIM**

The ornamental design for a door storage box for car, as shown and described.

**DESCRIPTION**

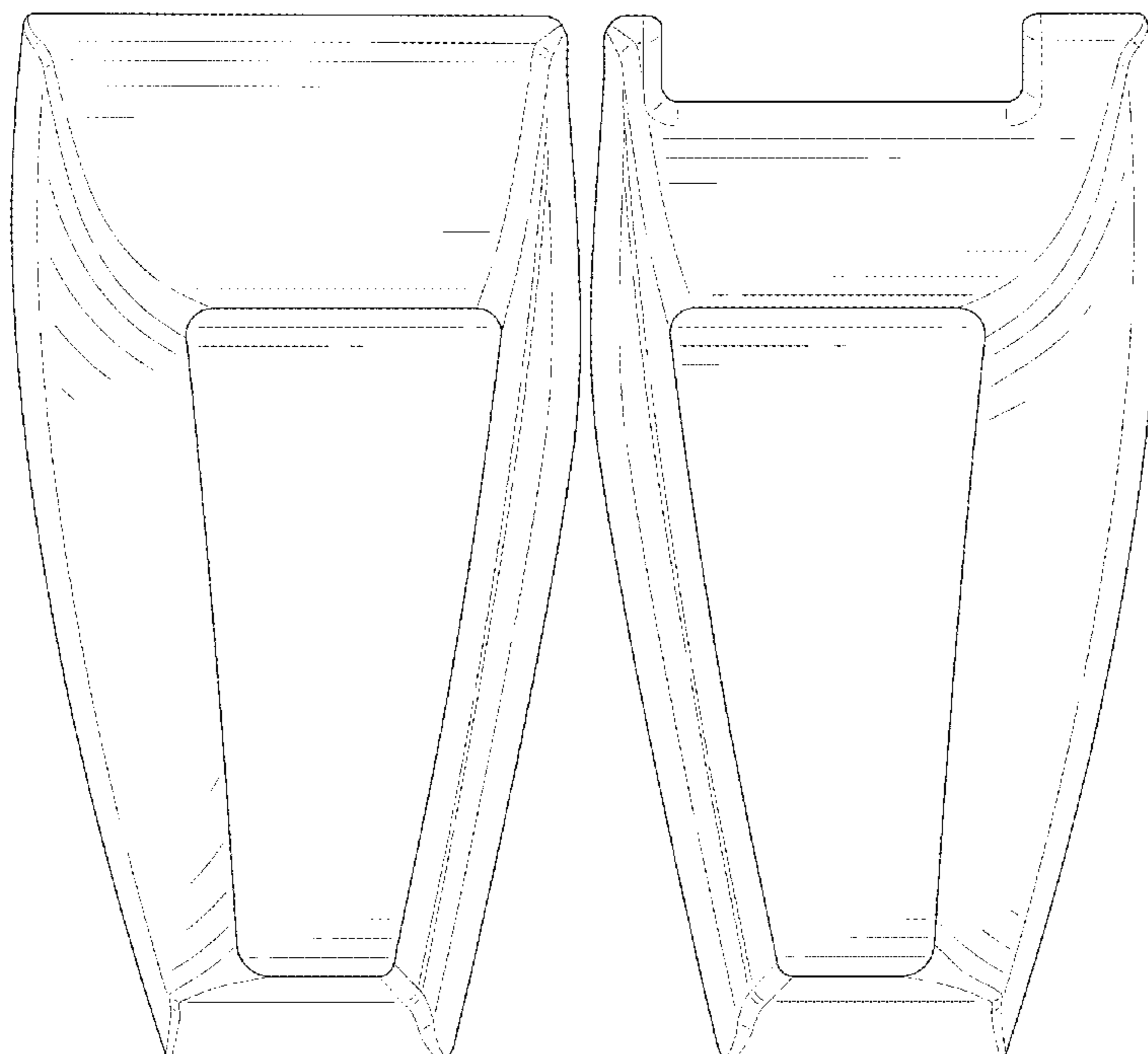
FIG. 1 is a front and top perspective view of a first embodiment of a door storage box for car, showing my new design;  
 FIG. 2 is a rear and bottom perspective view thereof;  
 FIG. 3 is a front elevational view thereof;  
 FIG. 4 is a rear elevational view thereof;  
 FIG. 5 is a left side elevational view thereof;  
 FIG. 6 is a right side elevational view thereof;  
 FIG. 7 is a top plan view thereof;  
 FIG. 8 is a bottom plan view thereof;  
 FIG. 9 is a front and top perspective view of a second embodiment of the door storage box for car, showing my new design;  
 FIG. 10 is a rear and bottom perspective view thereof;  
 FIG. 11 is a front elevational view thereof;  
 FIG. 12 is a rear elevational view thereof;  
 FIG. 13 is a left side elevational view thereof;  
 FIG. 14 is a right side elevational view thereof;  
 FIG. 15 is a top plan view thereof; and,  
 FIG. 16 is a bottom plan view thereof.

(56) **References Cited**

U.S. PATENT DOCUMENTS

- D313,695 S \* 1/1991 Mawhinney ..... D12/422
- D318,949 S \* 8/1991 Mawhinney ..... D12/422
- D344,180 S \* 2/1994 Garcia ..... D12/416
- D432,075 S \* 10/2000 Hassett ..... D12/416
- D441,341 S \* 5/2001 Hassett ..... D12/416
- D451,882 S \* 12/2001 Hassett ..... D12/416
- D494,534 S \* 8/2004 Hassett ..... D12/416
- 7,464,988 B2 \* 12/2008 Hassett ..... B60N 3/103  
297/188.06
- 8,162,189 B2 \* 4/2012 Robins ..... B60R 7/08  
224/275
- D741,248 S \* 10/2015 Boss ..... D12/422
- D846,482 S 4/2019 Wu

**1 Claim, 16 Drawing Sheets**



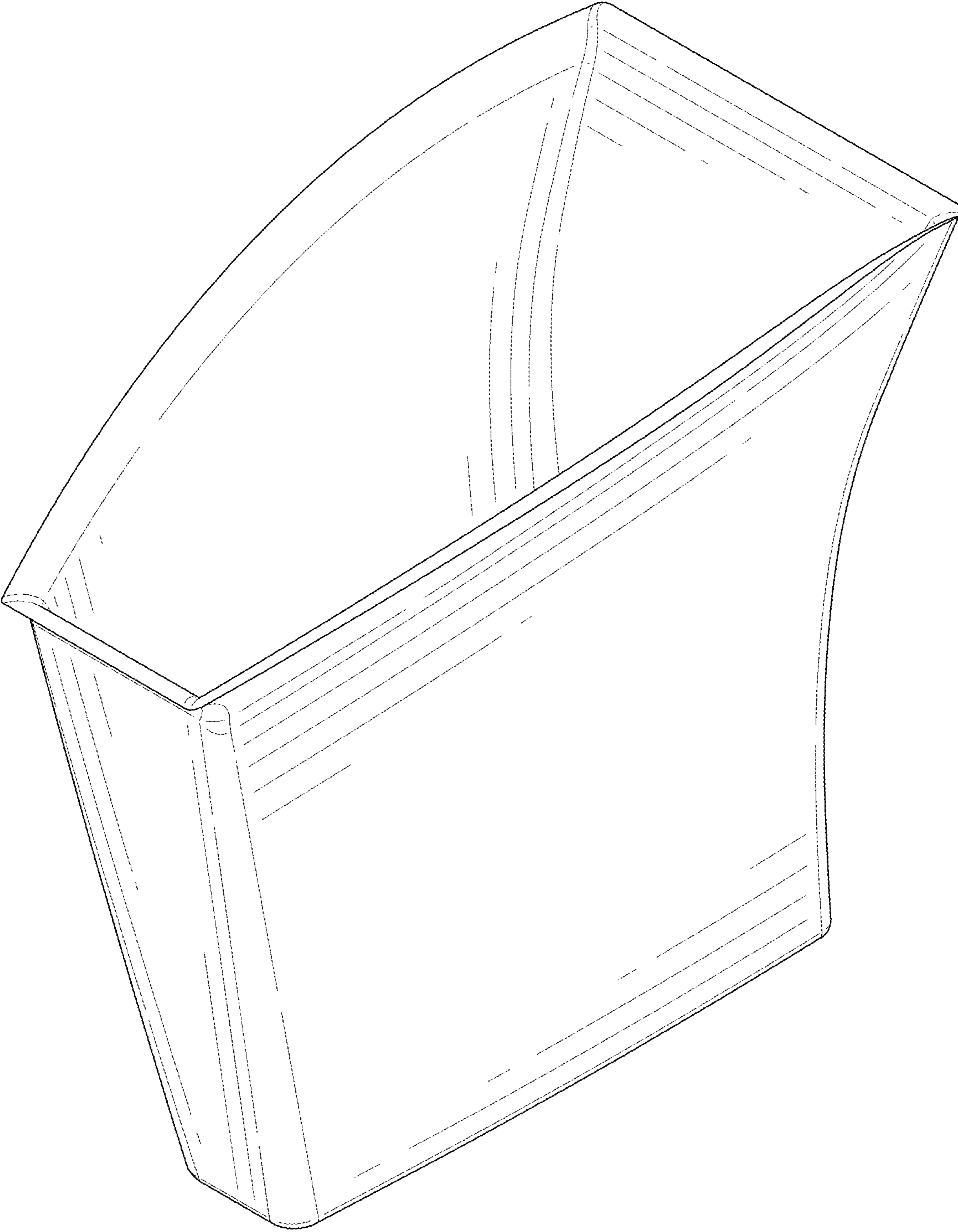


FIG. 1

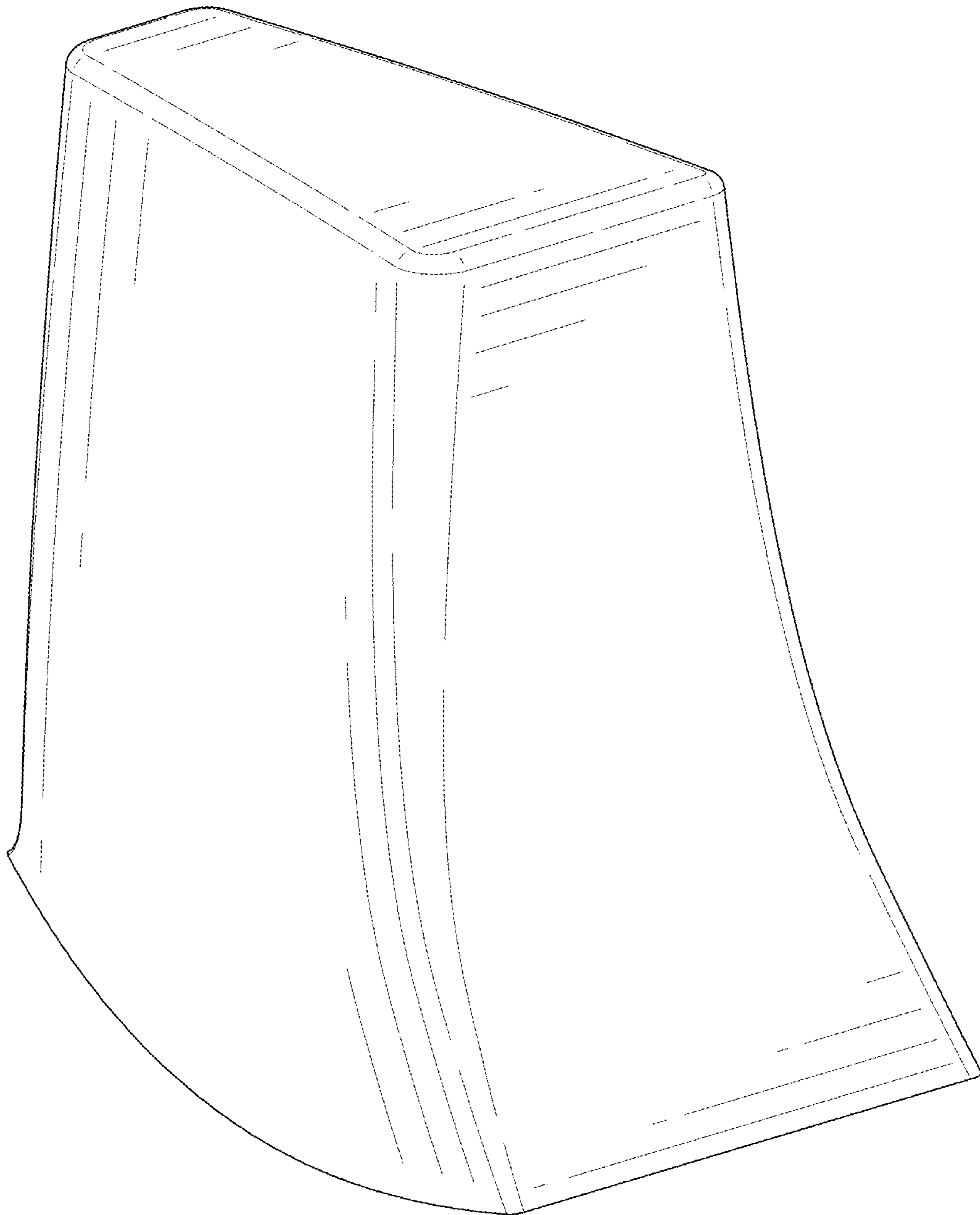


FIG. 2

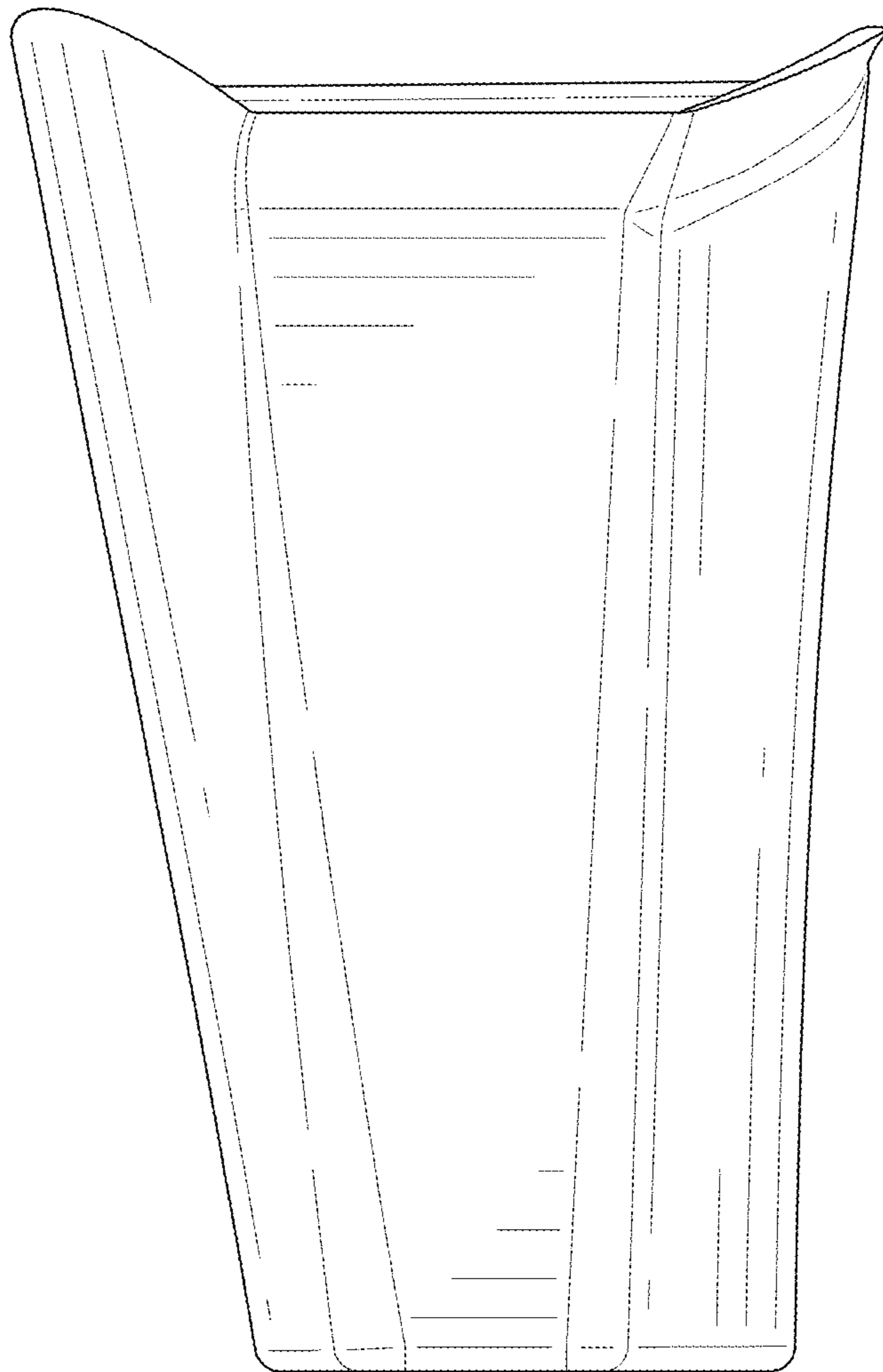


FIG. 3

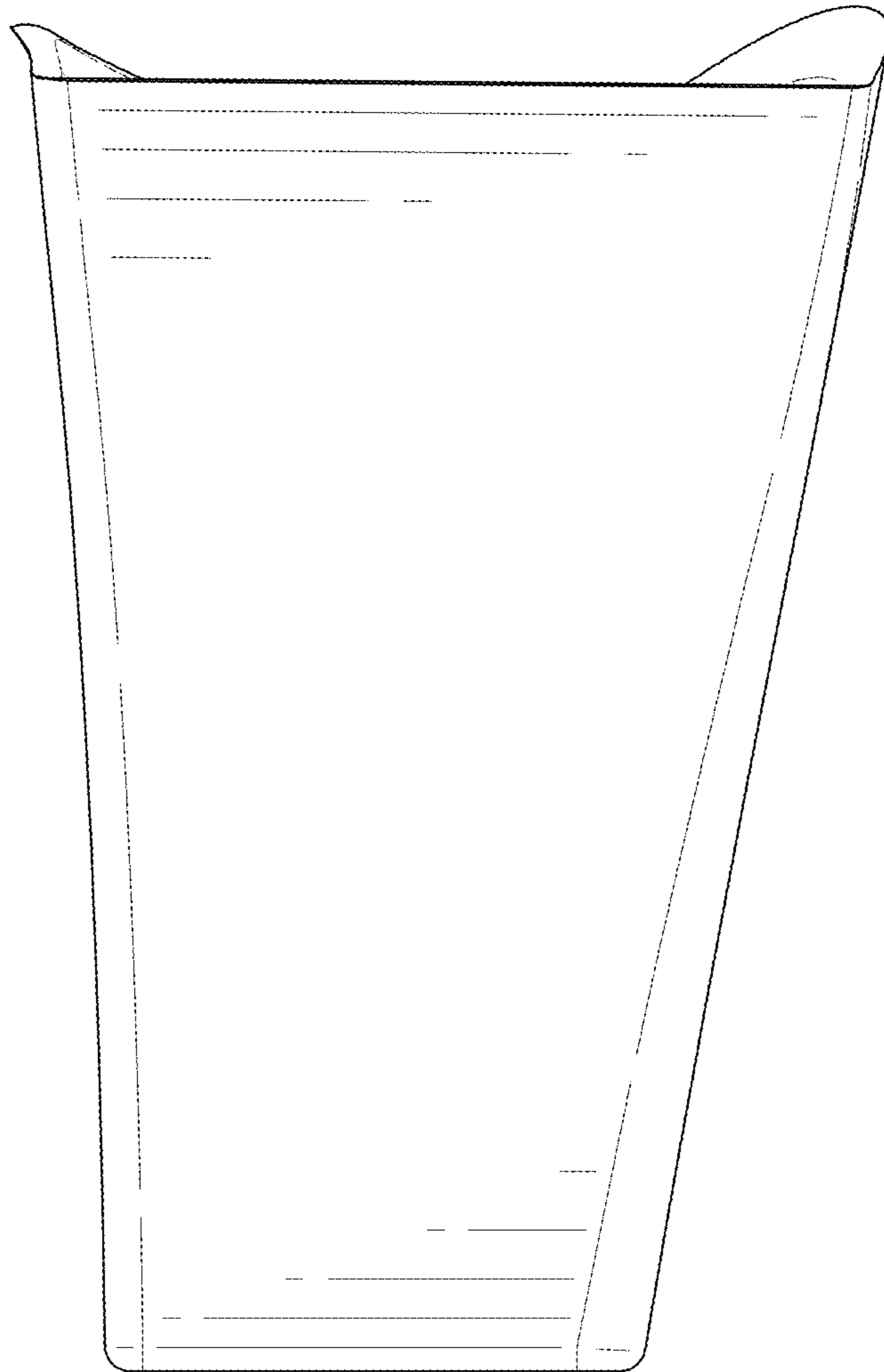


FIG. 4

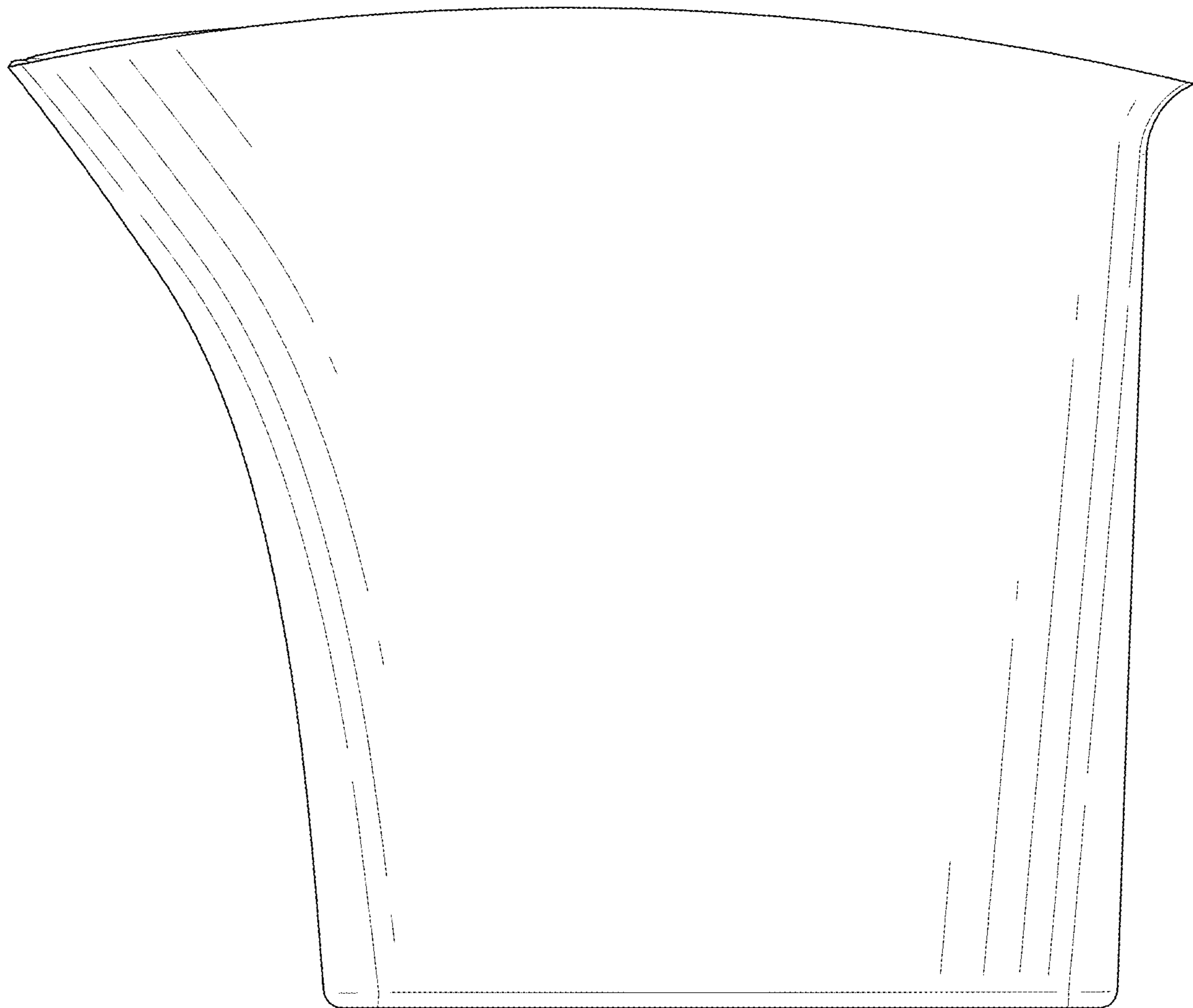


FIG. 5

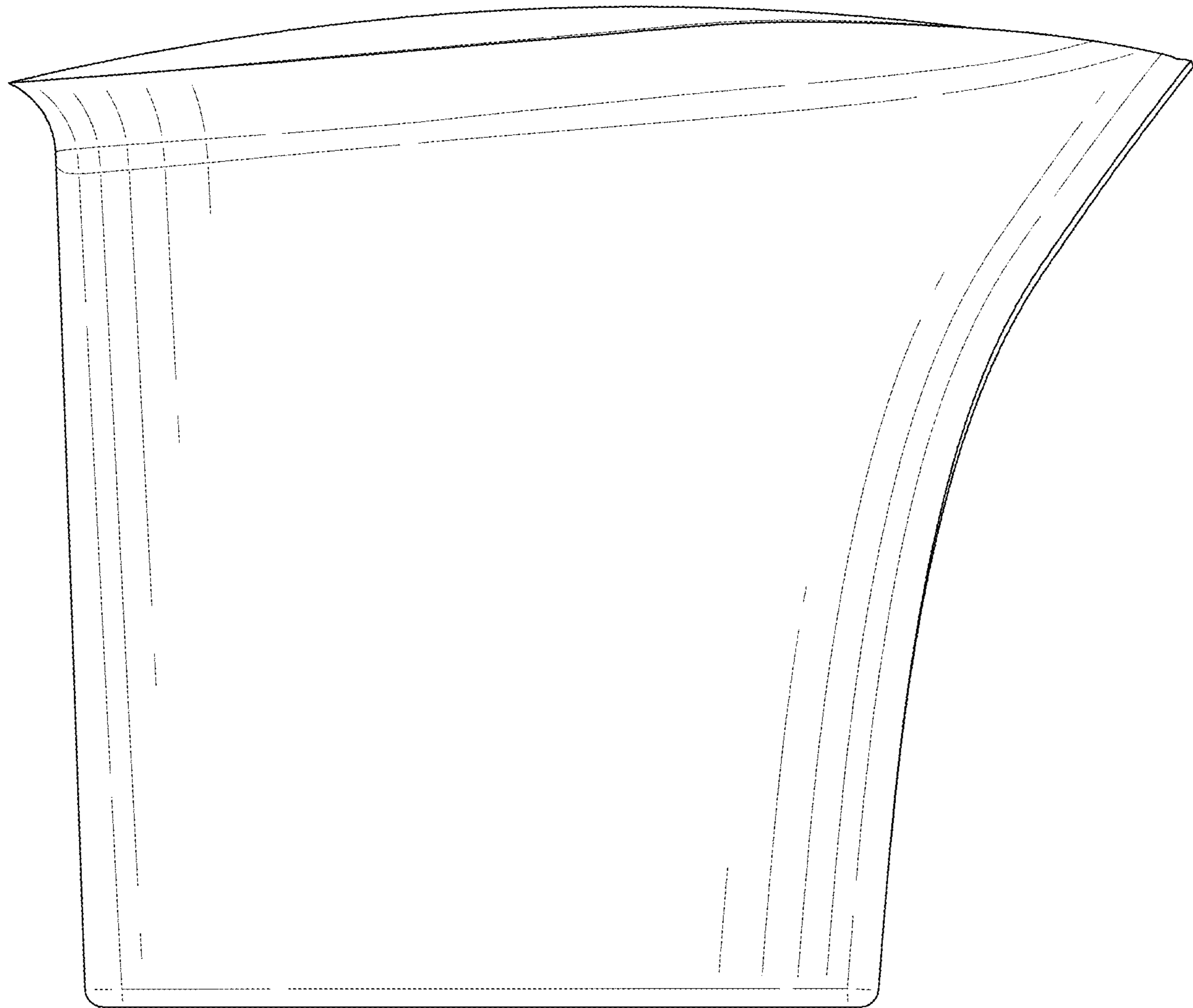


FIG. 6



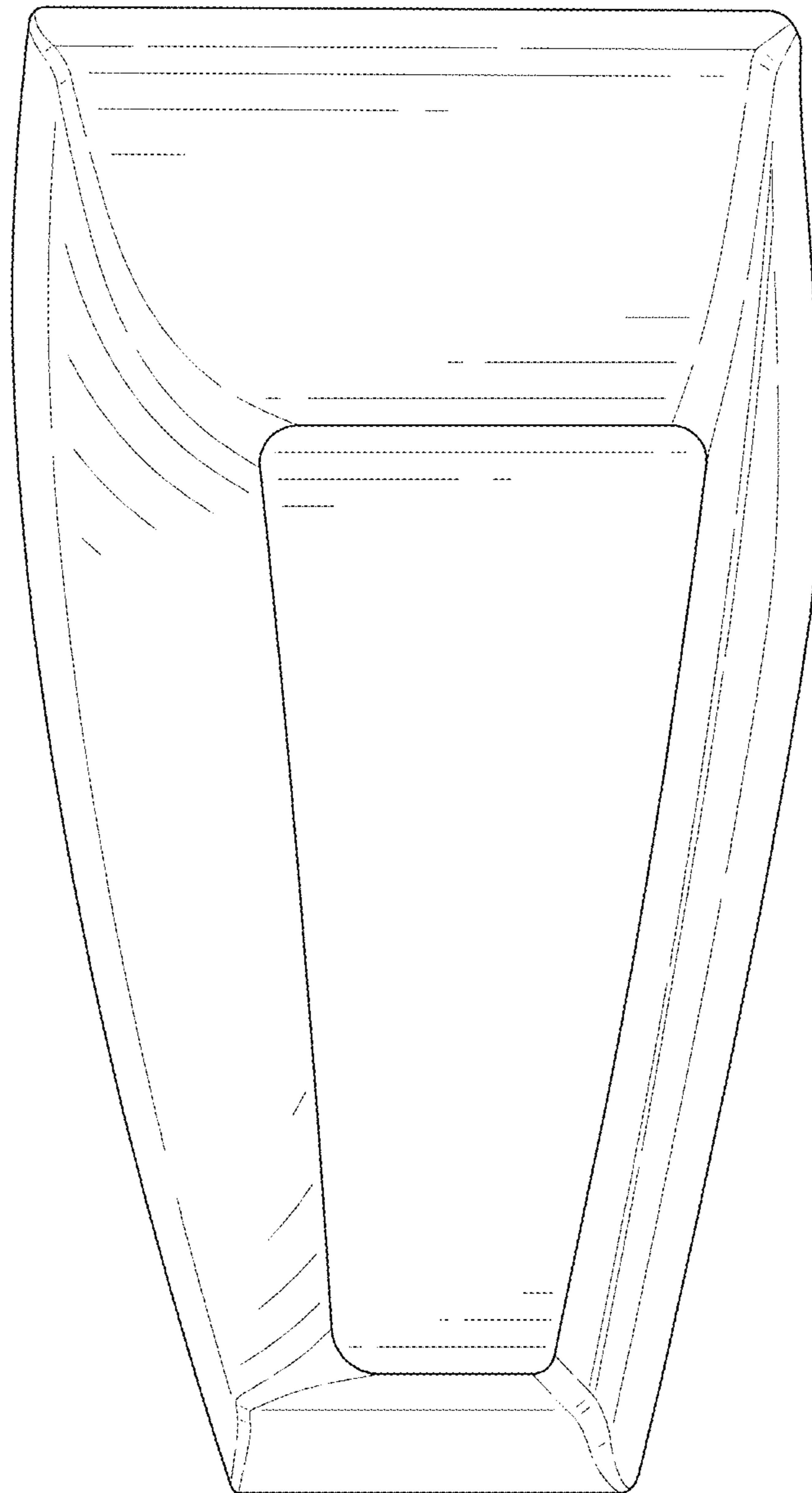


FIG. 7



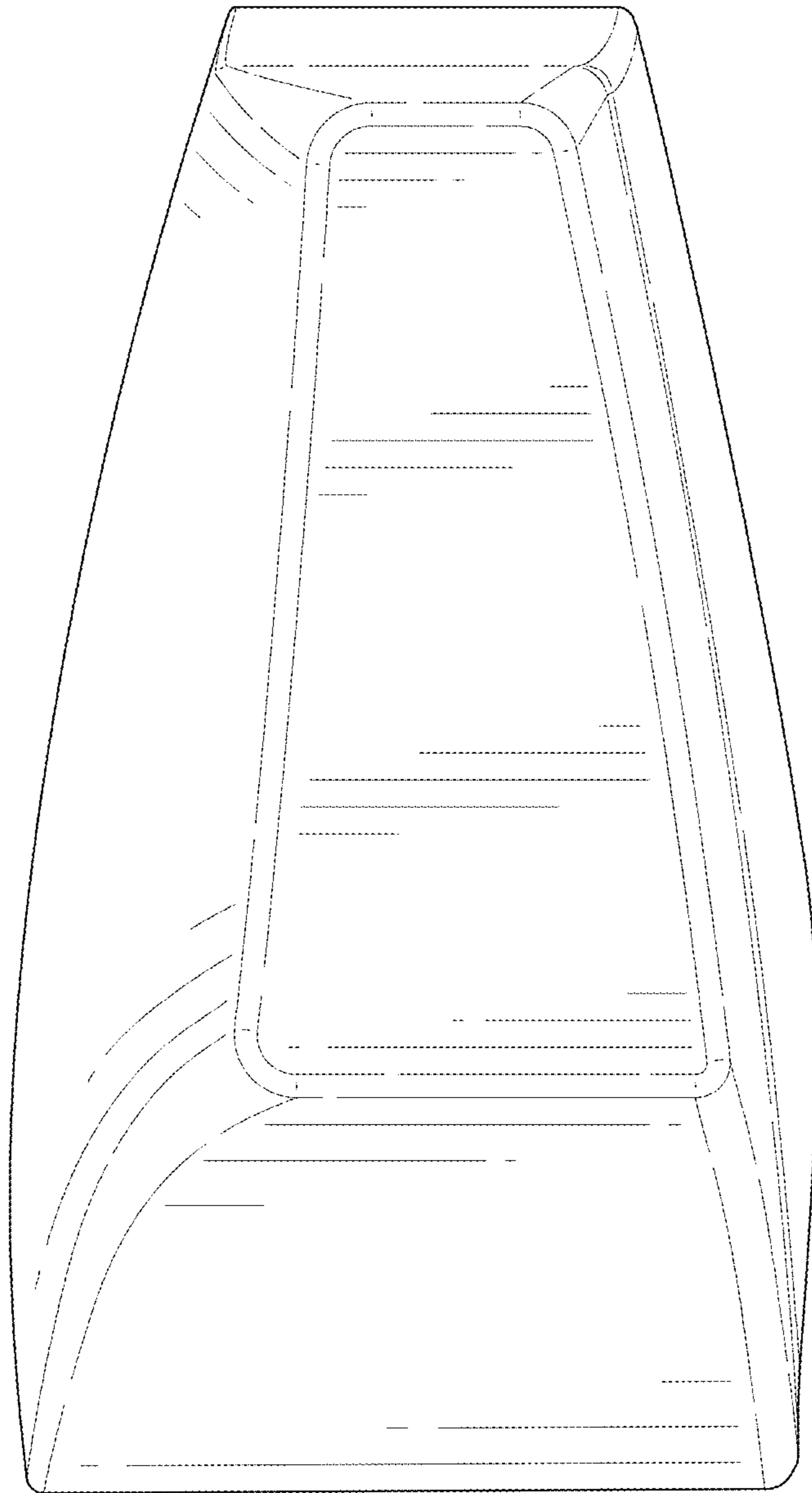


FIG. 8

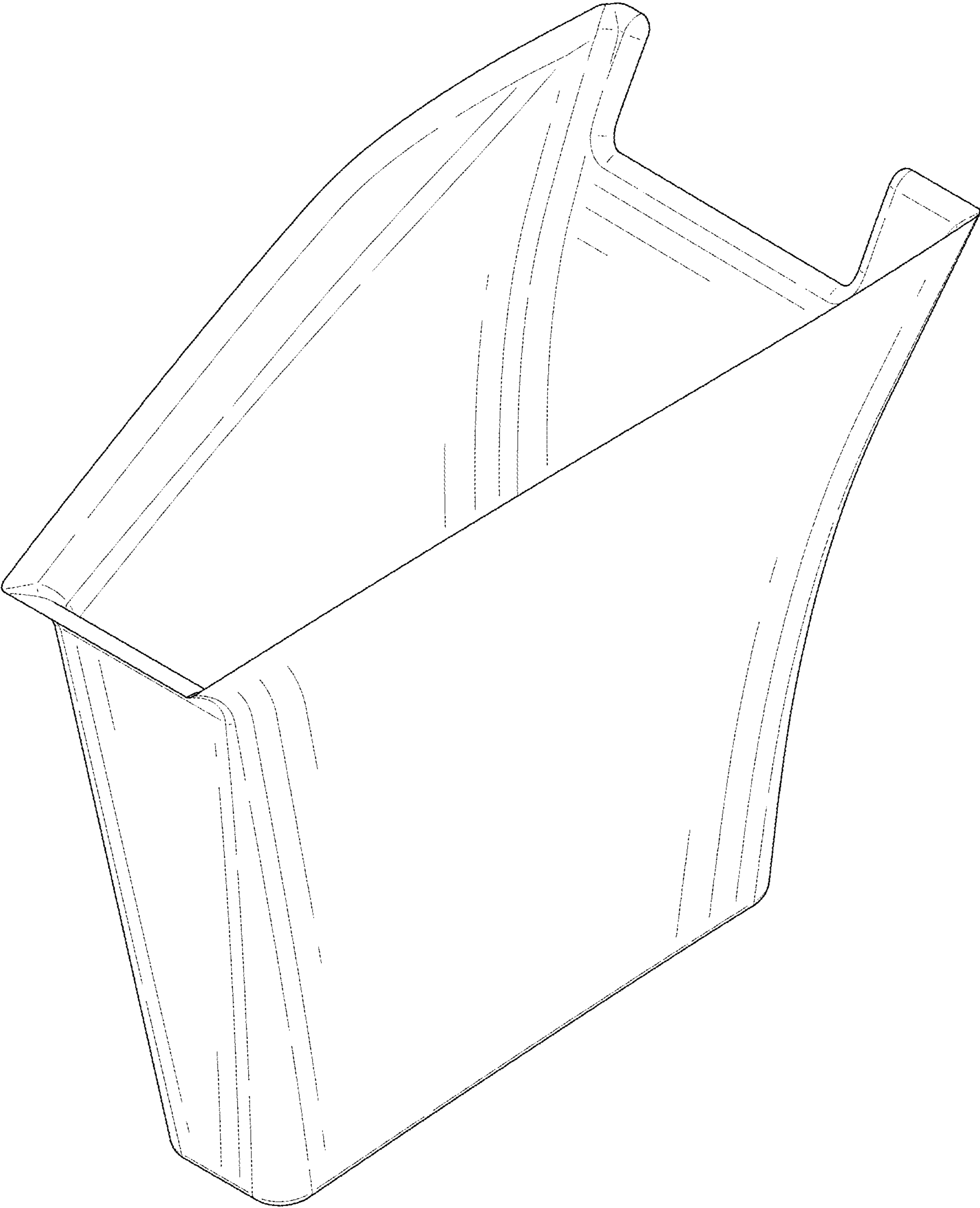


FIG. 9

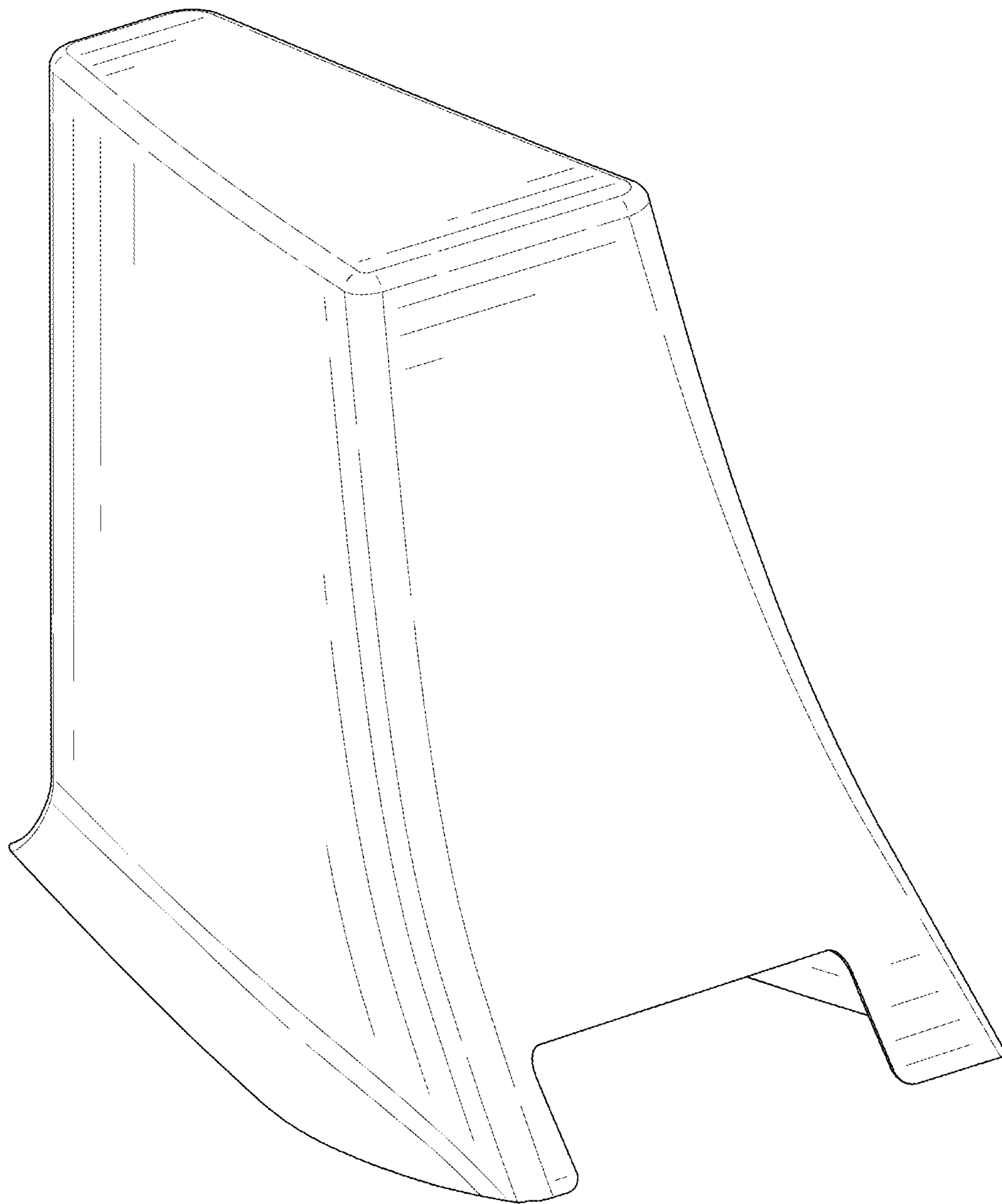


FIG. 10

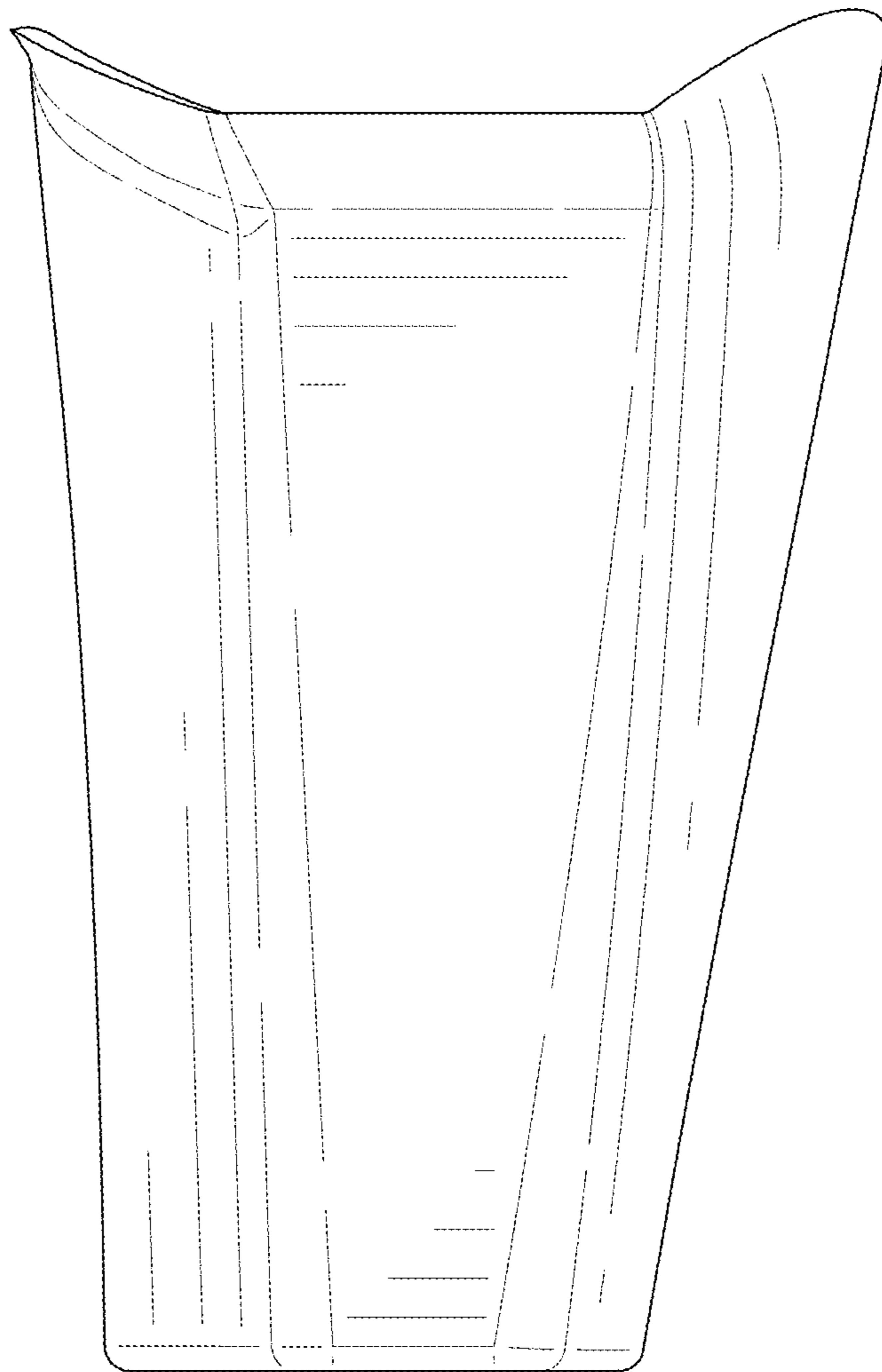


FIG. 11

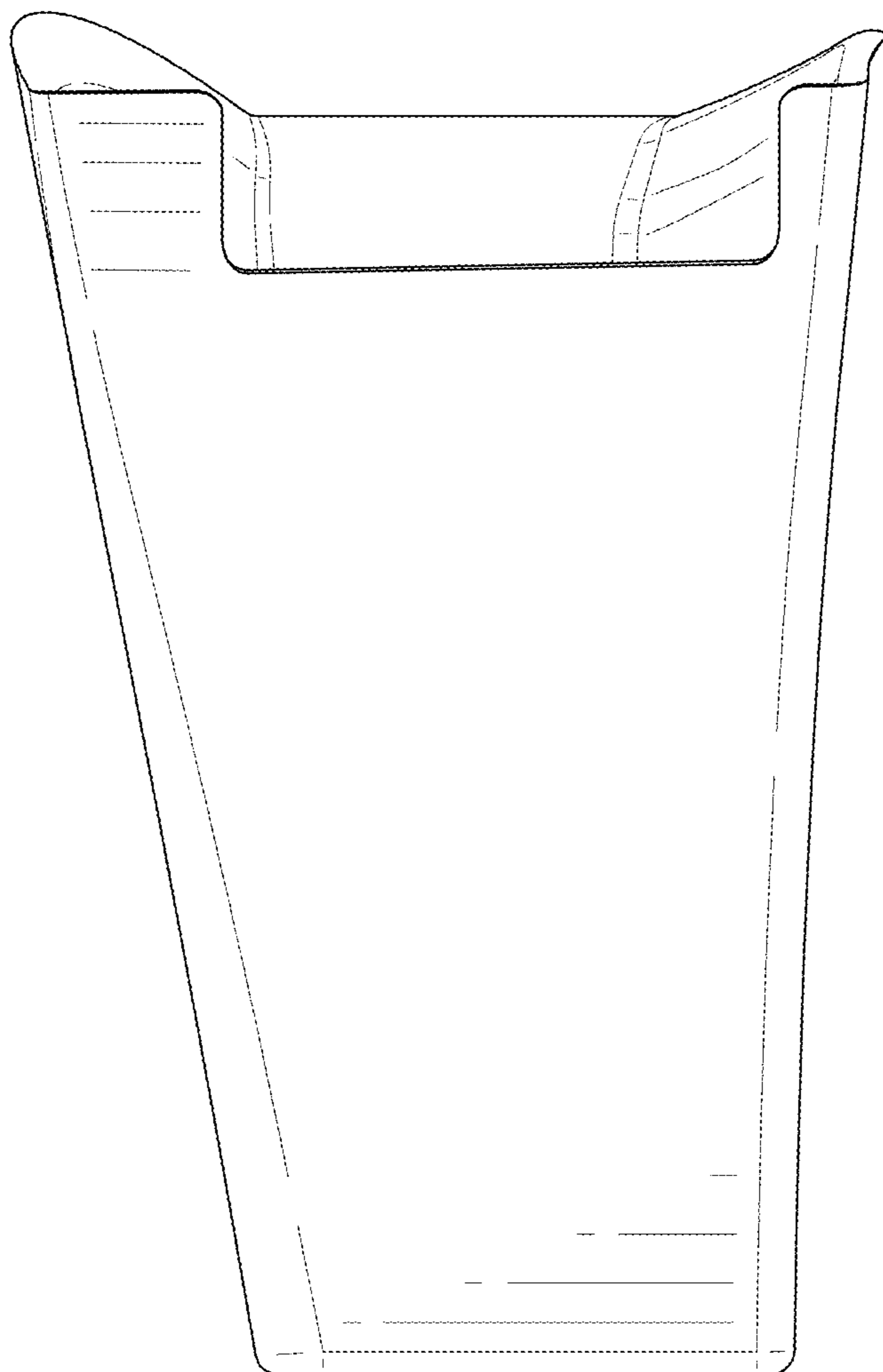


FIG. 12

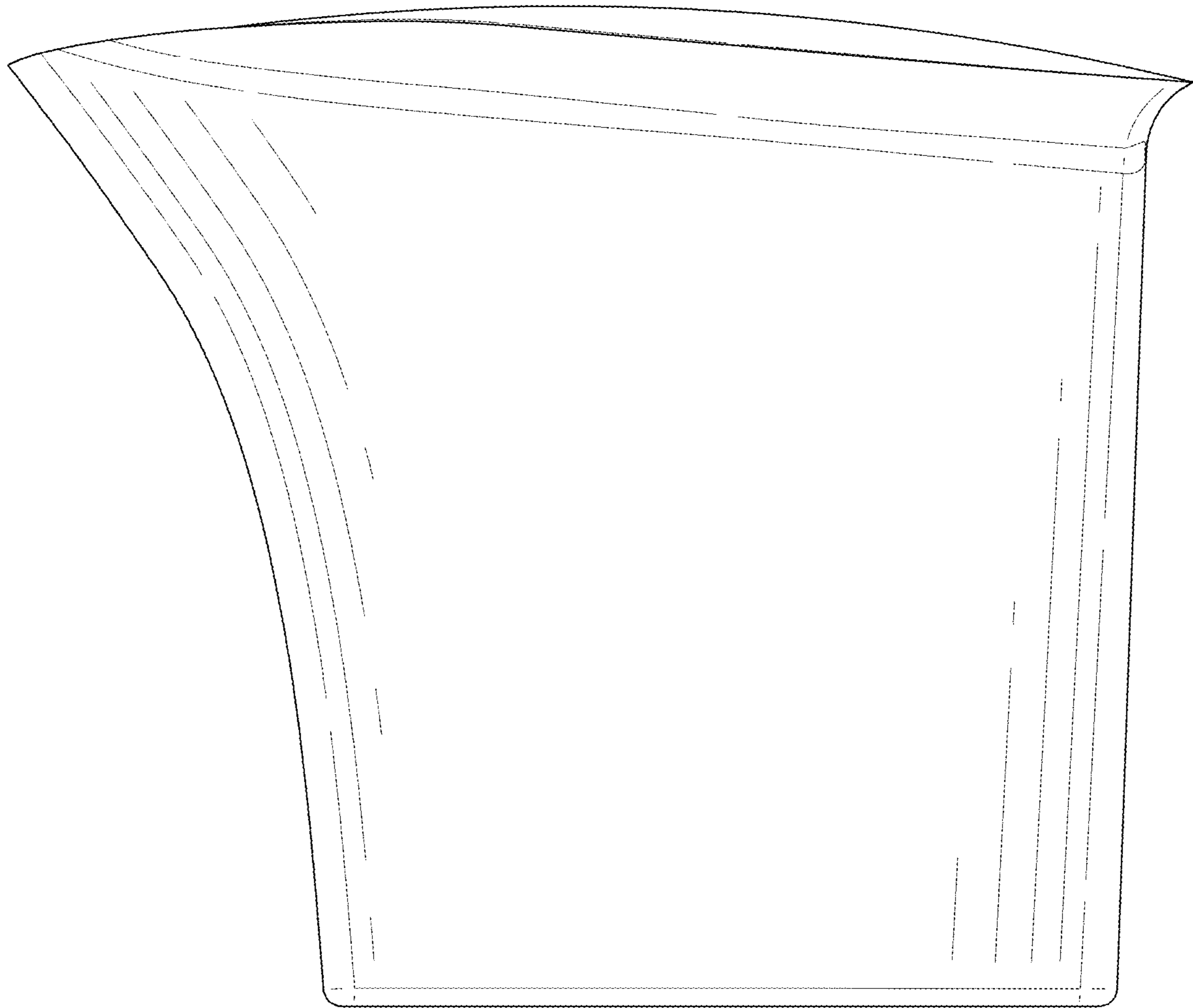


FIG. 13

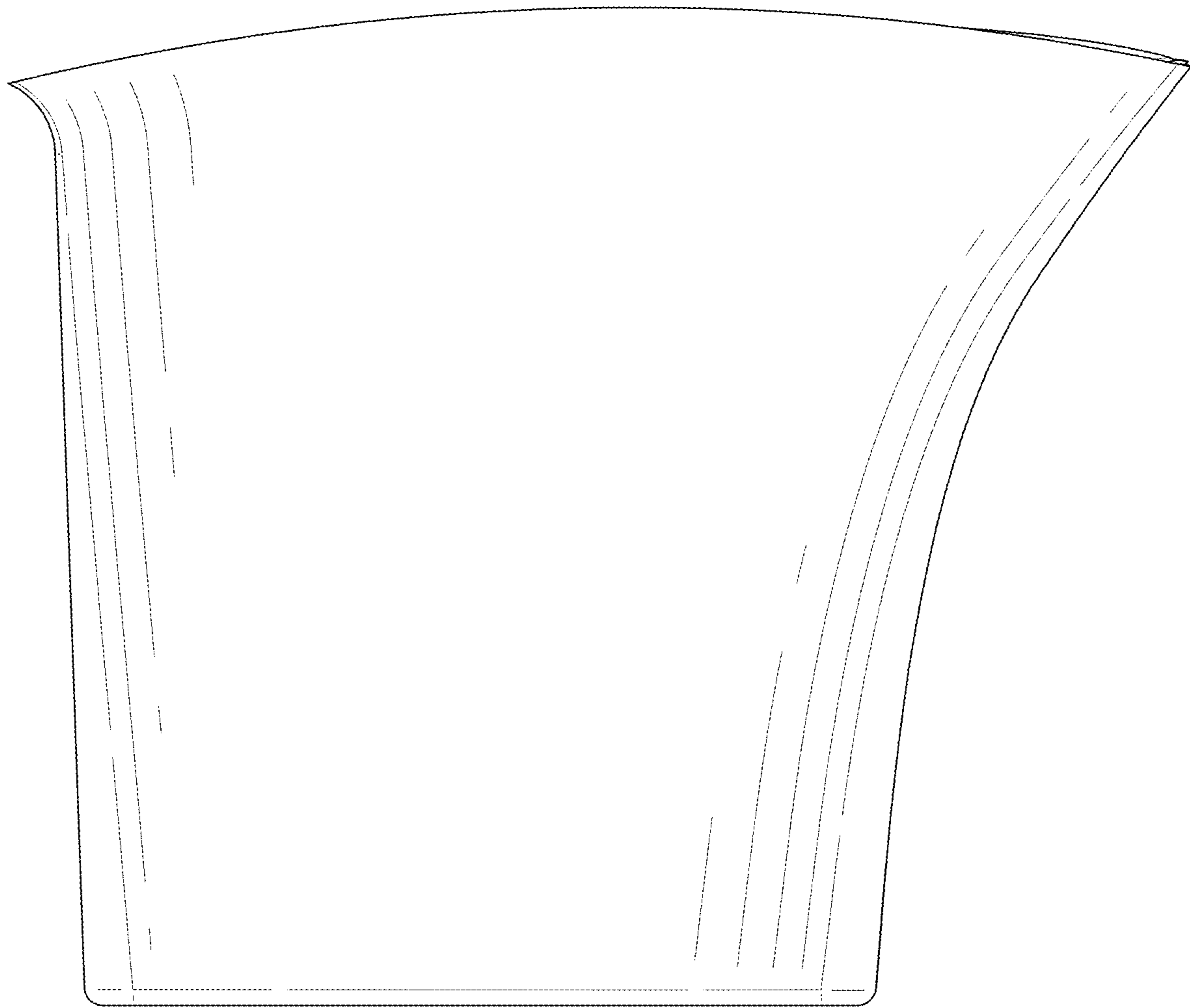


FIG. 14



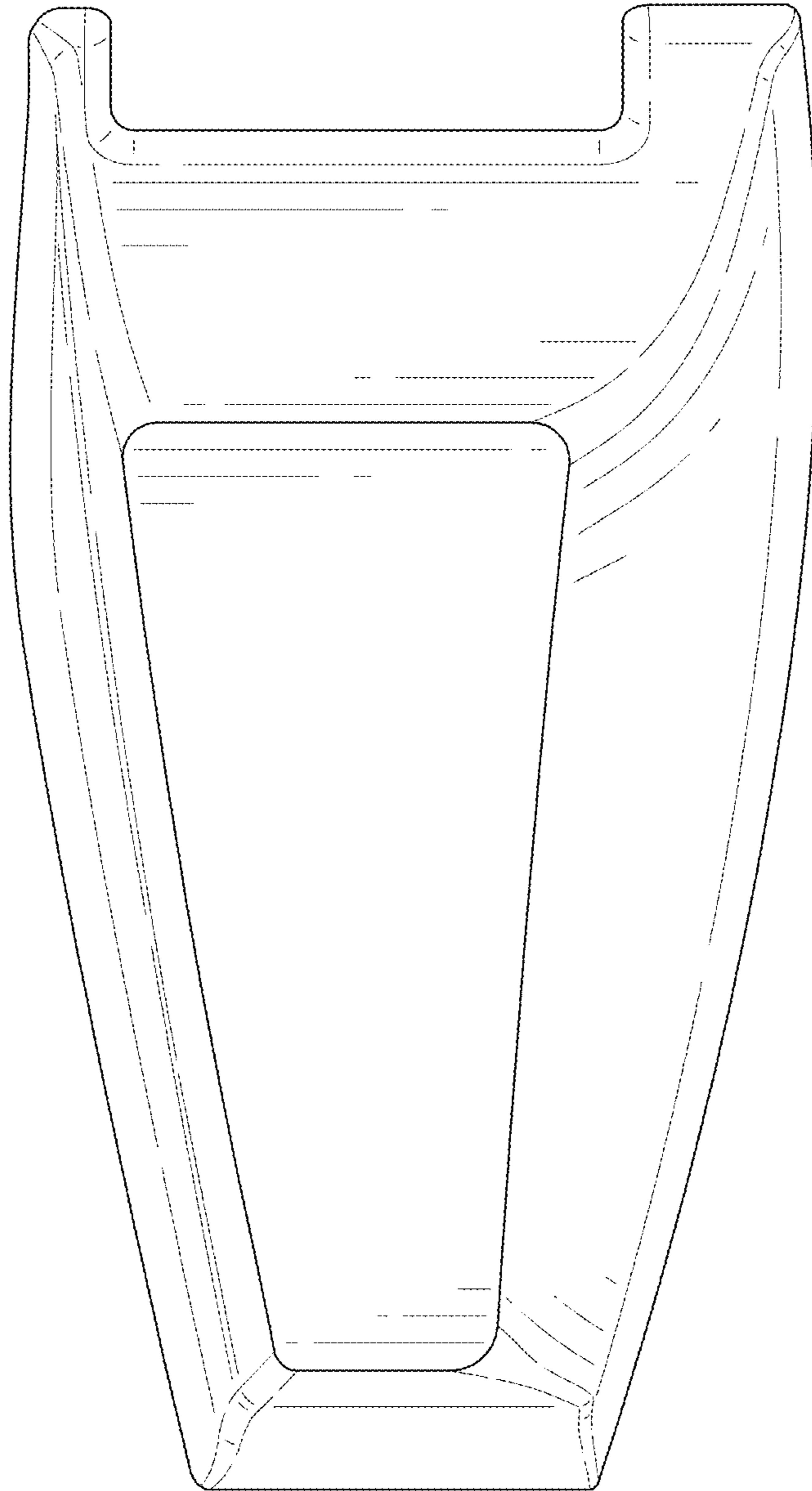


FIG. 15

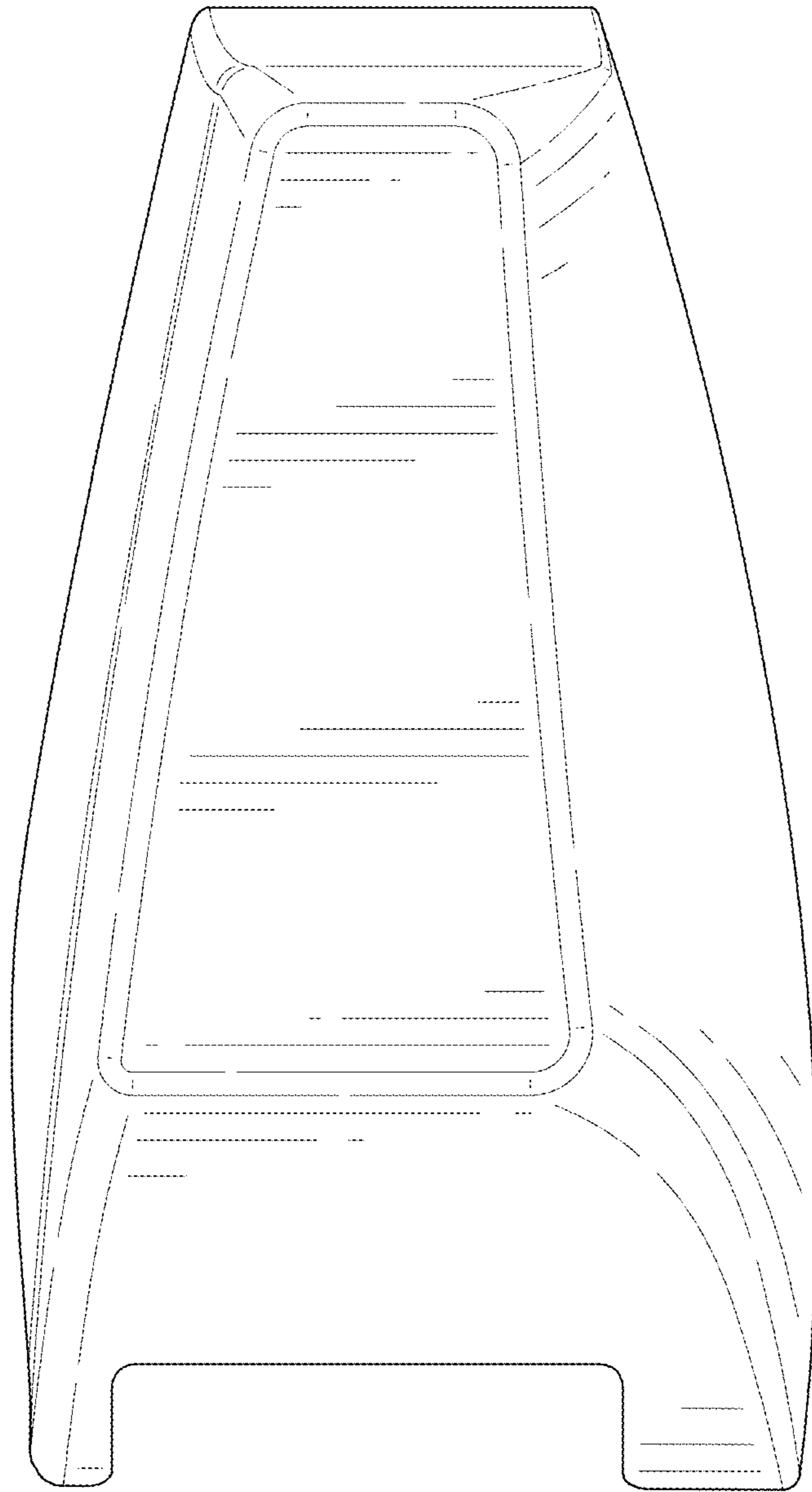


FIG. 16