



US00D875027S

(12) **United States Design Patent** (10) **Patent No.:** **US D875,027 S**
Ma et al. (45) **Date of Patent:** **** Feb. 11, 2020**

(54) **DOOR STORAGE BOX FOR CAR** 7,464,988 B2 * 12/2008 Hassett B60N 3/103
297/188.06
(71) Applicant: **Shenzhen LiFan Trading Co., Ltd.,** 8,162,189 B2 * 4/2012 Robins B60R 7/08
Shenzhen (CN) 224/275
D691,804 S 10/2013 Wang
(72) Inventors: **Wei Ma, Bozhou (CN); Jinlong Yang,** D741,248 S * 10/2015 Boss D12/422
Gansu (CN) D865,647 S * 11/2019 Goh D12/422
2007/0235399 A1 * 10/2007 Kim A47F 7/0071
211/85.4
(**) Term: **15 Years** 2011/0266820 A1 * 11/2011 Hurwitz B60N 2/6009
296/1.07

(21) Appl. No.: **29/702,616**

* cited by examiner

(22) Filed: **Aug. 21, 2019**

Primary Examiner — Katrina A Betton

(51) **LOC (12) Cl.** **12-16**

(74) *Attorney, Agent, or Firm* — ZANIP

(52) **U.S. Cl.**
USPC **D12/422**

(57) **CLAIM**

(58) **Field of Classification Search**
USPC D12/422, 400, 217; D9/678, 681, 711;
D3/11, 203.5, 206, 23, 265
CPC B60R 11/00; B60N 2/44; B60J 9/00
See application file for complete search history.

The ornamental design for a door storage box for car, as shown and described.

DESCRIPTION

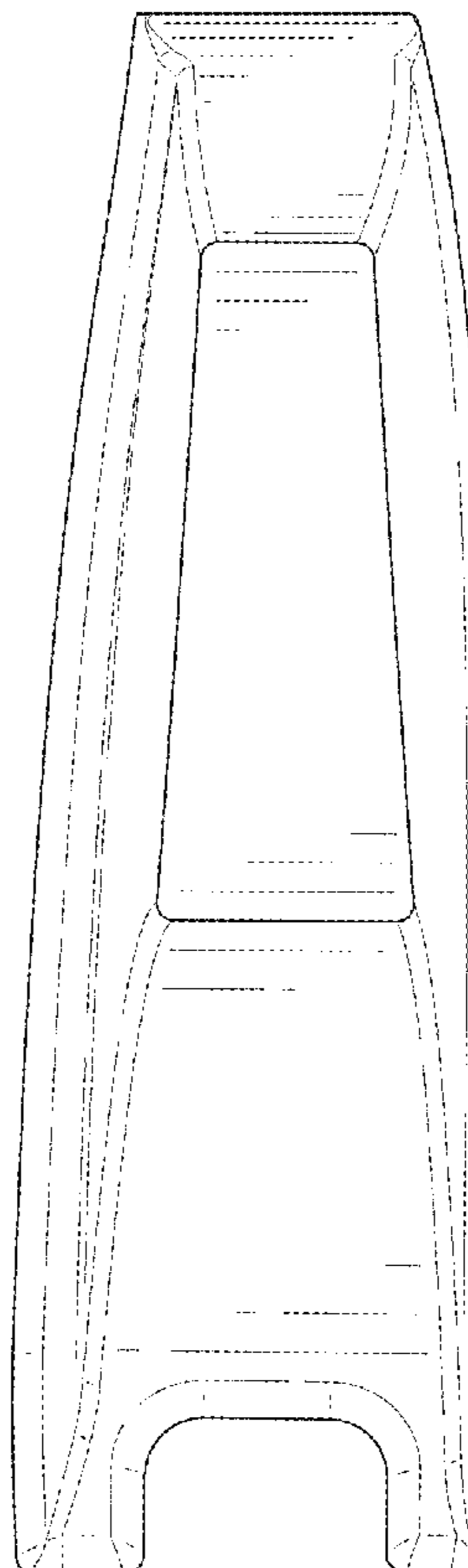
(56) **References Cited**

FIG. 1 is a front and top perspective view of a door storage box for car, showing our new design;
FIG. 2 is a rear and bottom perspective view thereof;
FIG. 3 is a front elevational view thereof;
FIG. 4 is a rear elevational view thereof;
FIG. 5 is a left side elevational view thereof;
FIG. 6 is a right side elevational view thereof;
FIG. 7 is a top plan view thereof; and,
FIG. 8 is a bottom plan view thereof.

U.S. PATENT DOCUMENTS

D313,695 S * 1/1991 Mawhinney D12/422
D318,949 S * 8/1991 Mawhinney D12/422
D344,180 S * 2/1994 Garcia D12/416
D432,075 S * 10/2000 Hassett D12/416
D441,341 S * 5/2001 Hassett D12/416
D451,882 S * 12/2001 Hassett D12/416
D494,534 S * 8/2004 Hassett D12/416

1 Claim, 8 Drawing Sheets



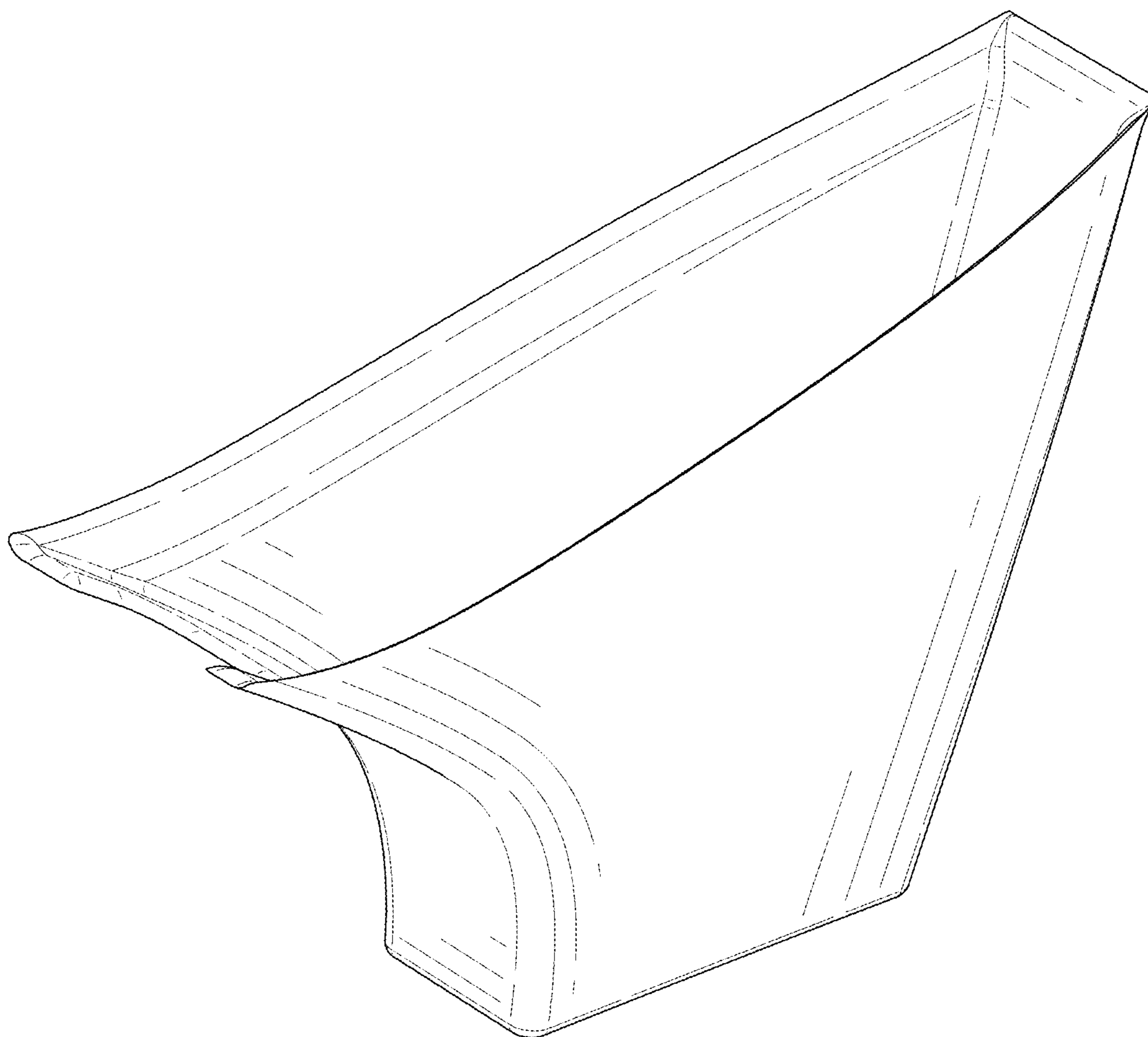


FIG. 1

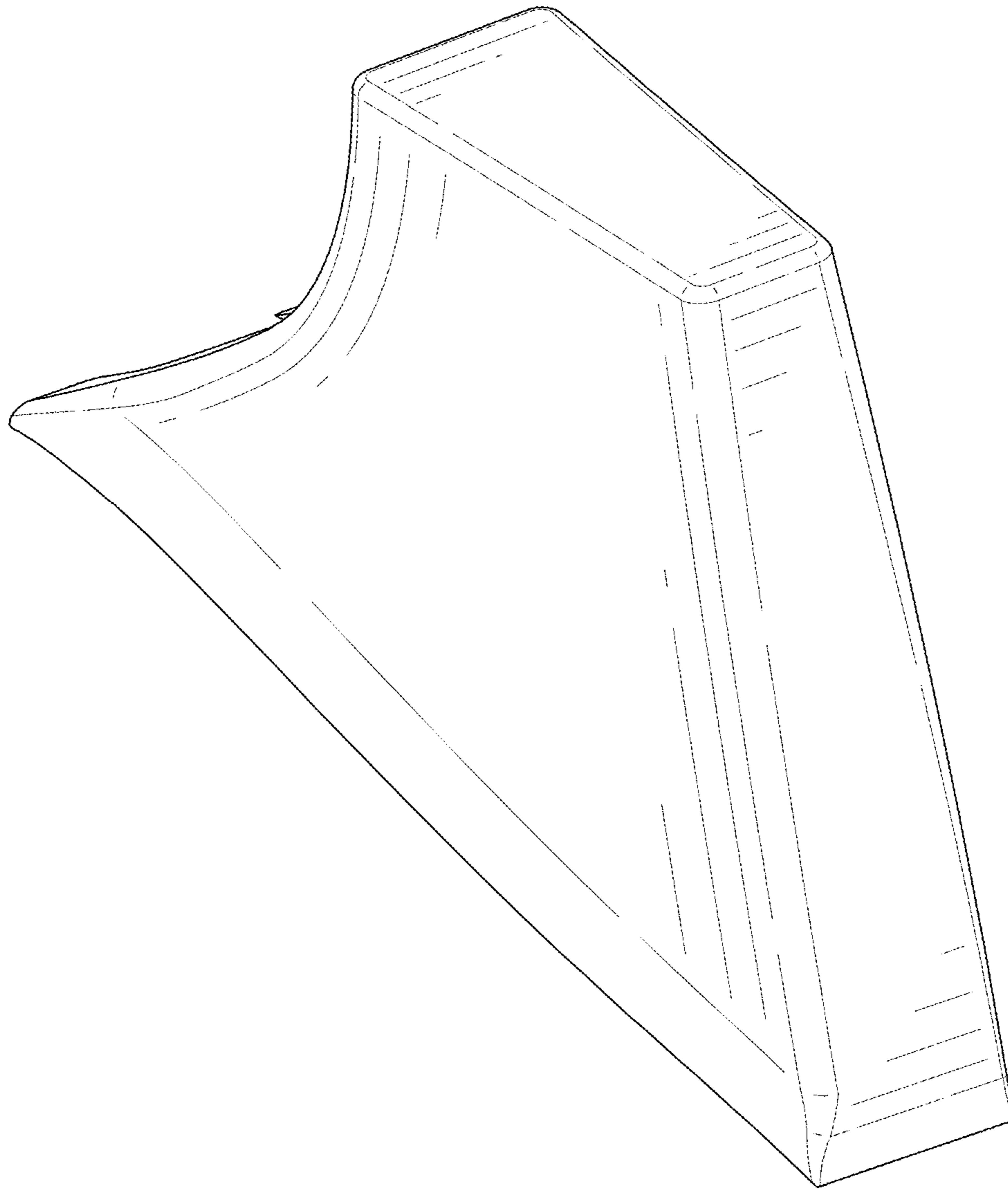


FIG. 2

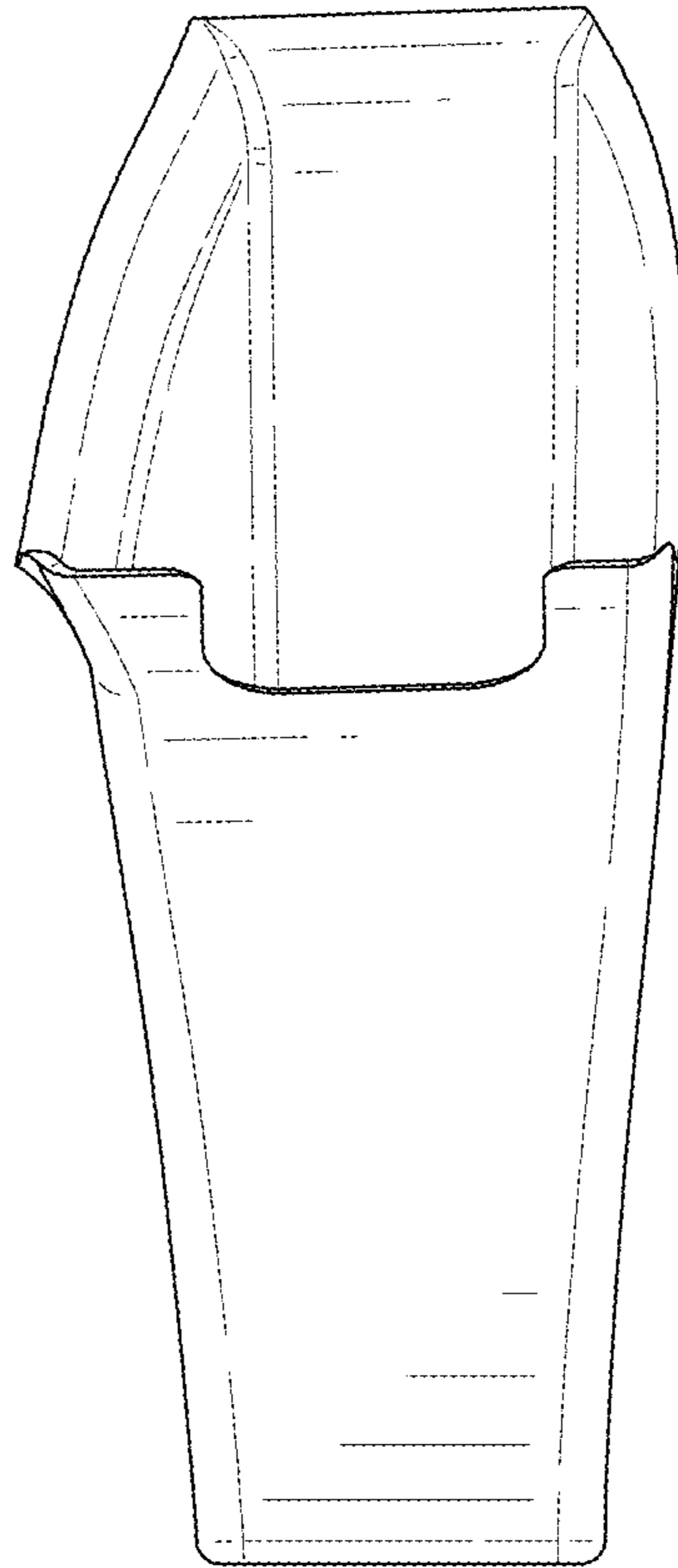


FIG. 3

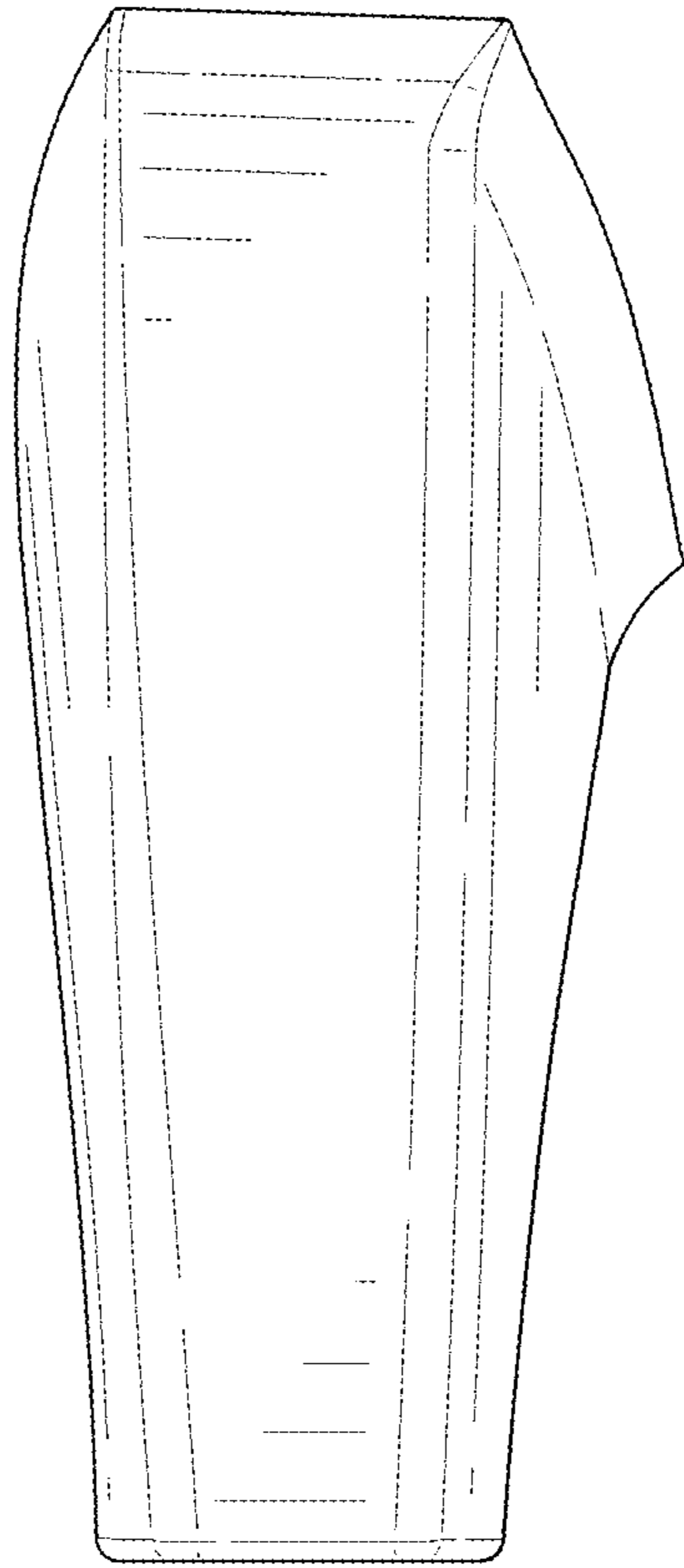


FIG. 4

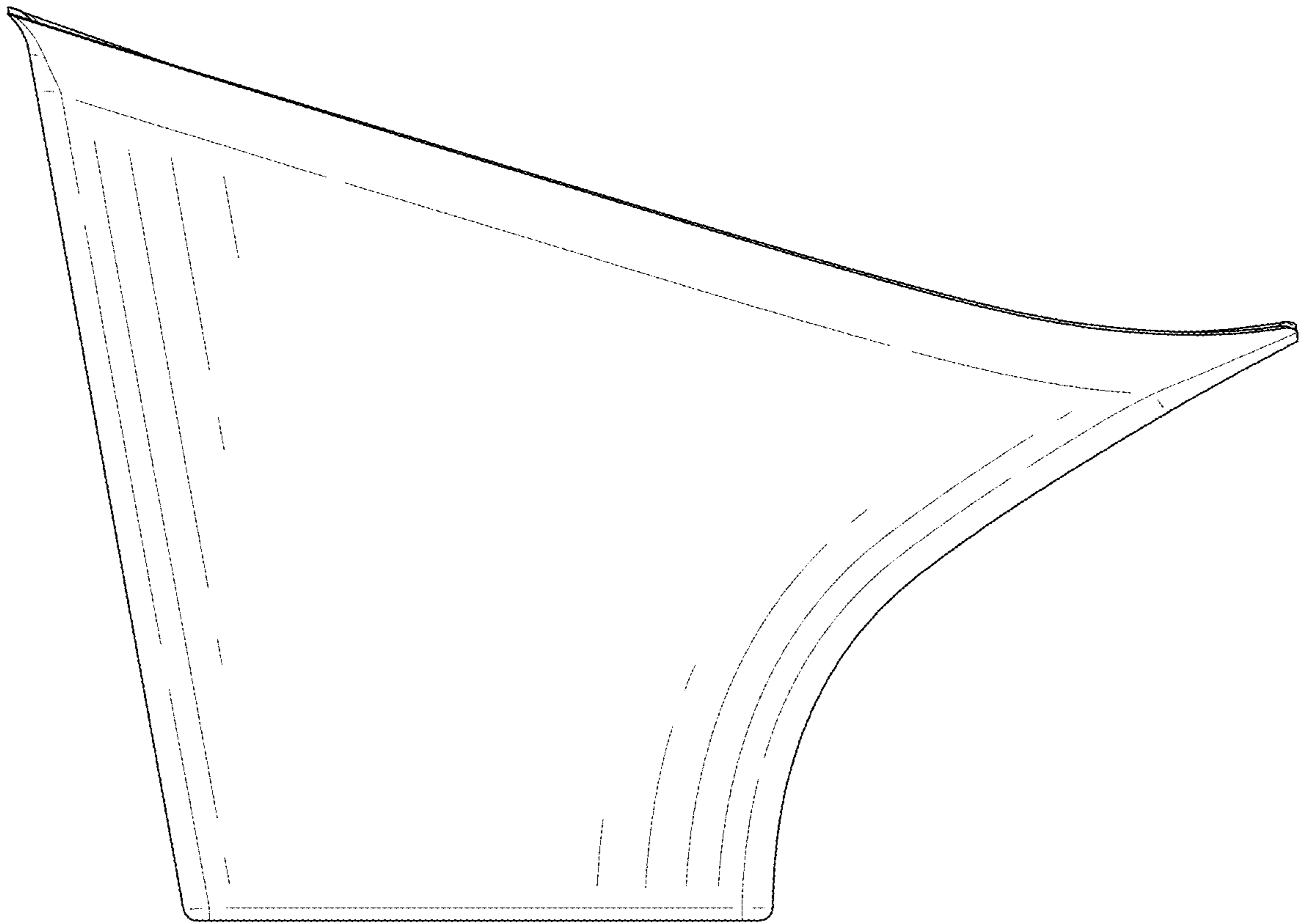


FIG. 5

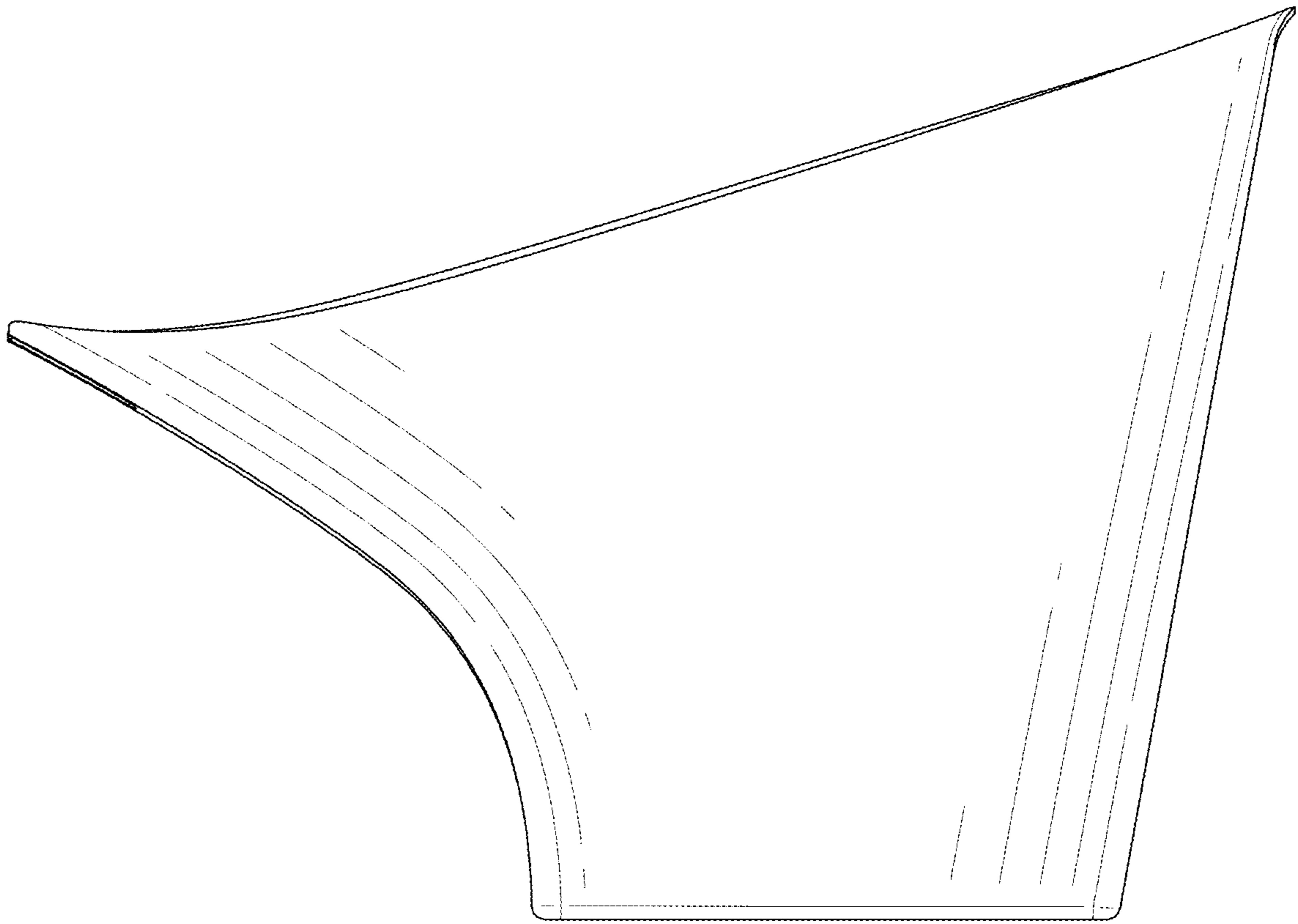


FIG. 6

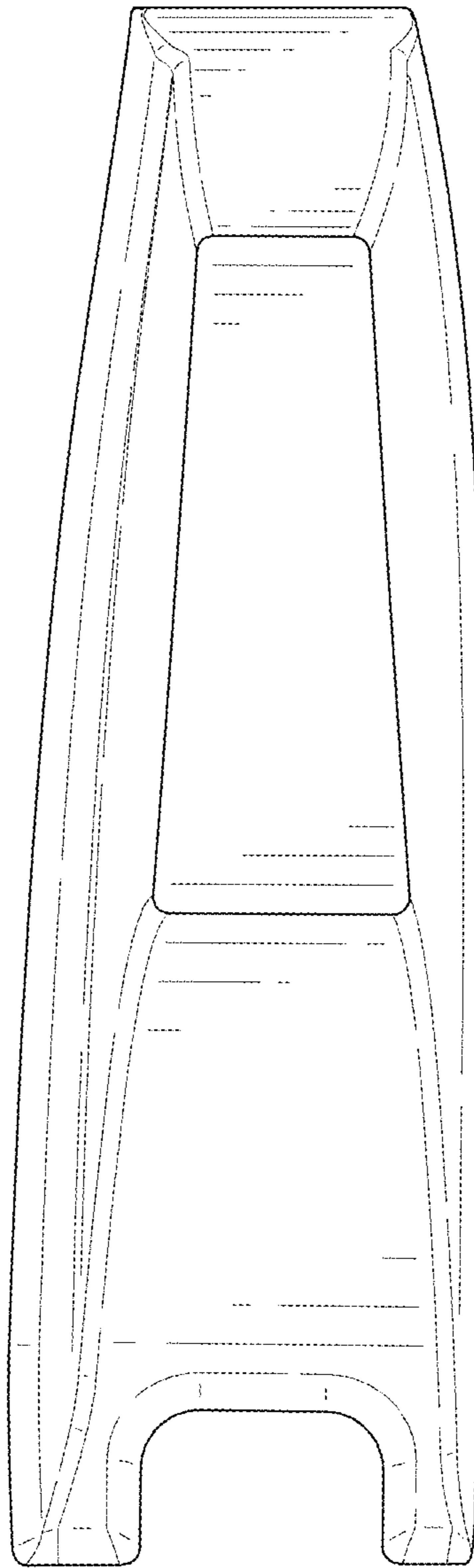


FIG. 7

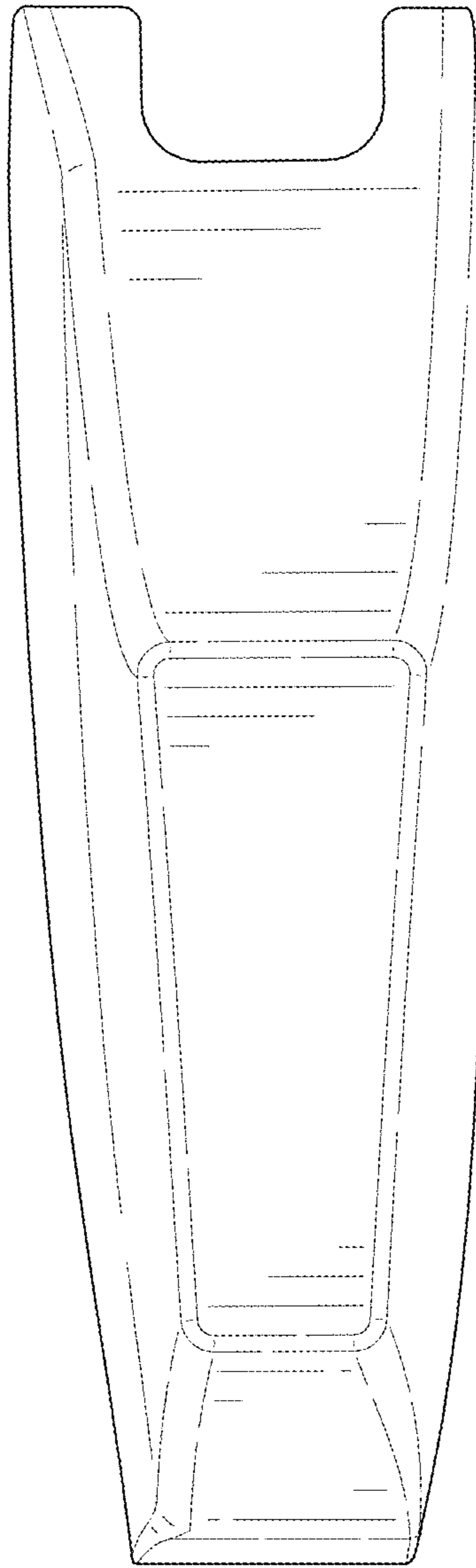


FIG. 8