



US00D875026S

(12) **United States Design Patent**  
**Luyet et al.**

(10) **Patent No.:** **US D875,026 S**  
(45) **Date of Patent:** **\*\* Feb. 11, 2020**

- (54) **BICYCLE STORAGE APPARATUS**
- (71) Applicant: **Highland Products Group, LLC**,  
Chattanooga, TN (US)
- (72) Inventors: **Christopher J. Luyet**, Boca Raton, FL  
(US); **Christopher C. George**, Boca  
Raton, FL (US)
- (73) Assignee: **HIGHLAND PRODUCTS GROUP,**  
**LLC**, Chattanooga, TN (US)
- (\*\*) Term: **15 Years**
- (21) Appl. No.: **29/673,133**
- (22) Filed: **Dec. 12, 2018**

D328,882 S *	8/1992	Martinell .....	D12/115
D353,353 S *	12/1994	Katsaros .....	D12/115
D369,131 S *	4/1996	Smith .....	D12/115
D369,332 S *	4/1996	Smith .....	D12/115
D369,576 S *	5/1996	Johnson .....	D12/115
D391,902 S	3/1998	Pappas	
D391,903 S	3/1998	Pappas	
D398,268 S *	9/1998	Woodcock .....	D12/115
D409,134 S	5/1999	Will	
5,992,645 A	11/1999	West	
D456,316 S *	4/2002	Will .....	D12/115
D480,025 S	9/2003	Denney	
D497,873 S	11/2004	Graber	
D502,127 S	2/2005	Pappas	
D514,034 S *	1/2006	Richardson .....	D12/115
D543,906 S *	6/2007	Hoadley .....	D12/115
D583,716 S *	12/2008	Ross .....	D12/115
D585,793 S	2/2009	Skalka	
D591,649 S *	5/2009	Koshes .....	D12/115
D602,403 S	10/2009	Shaha et al.	
D604,206 S	11/2009	Selzer et al.	
D604,207 S	11/2009	Selzer et al.	

(Continued)

**Related U.S. Application Data**

- (62) Division of application No. 29/573,289, filed on Aug. 4, 2016, now Pat. No. Des. 840,322.
- (51) **LOC (12) Cl.** ..... **12-11**
- (52) **U.S. Cl.**  
USPC ..... **D12/407**
- (58) **Field of Classification Search**  
USPC ..... D12/115, 120, 402, 406, 407  
CPC .... B60R 9/06; B60R 9/10; B62H 3/00; B62H  
3/04; B62H 3/06; B62H 3/10  
See application file for complete search history.

*Primary Examiner* — Michelle E. Wilson

*Assistant Examiner* — Clese Moore, Jr.

(74) *Attorney, Agent, or Firm* — McAndrews, Held & Malloy, Ltd.

(56) **References Cited**

**U.S. PATENT DOCUMENTS**

4,033,459 A *	7/1977	Zach .....	B62H 3/10
			211/20
D245,596 S *	8/1977	Cohen .....	D12/115
D263,945 S	4/1982	Voegeli	
D295,030 S	4/1988	Wahl	
D301,217 S *	5/1989	Mailhot .....	D12/115
D302,803 S	8/1989	Villanueva	
D302,805 S *	8/1989	Hoyt .....	D12/115

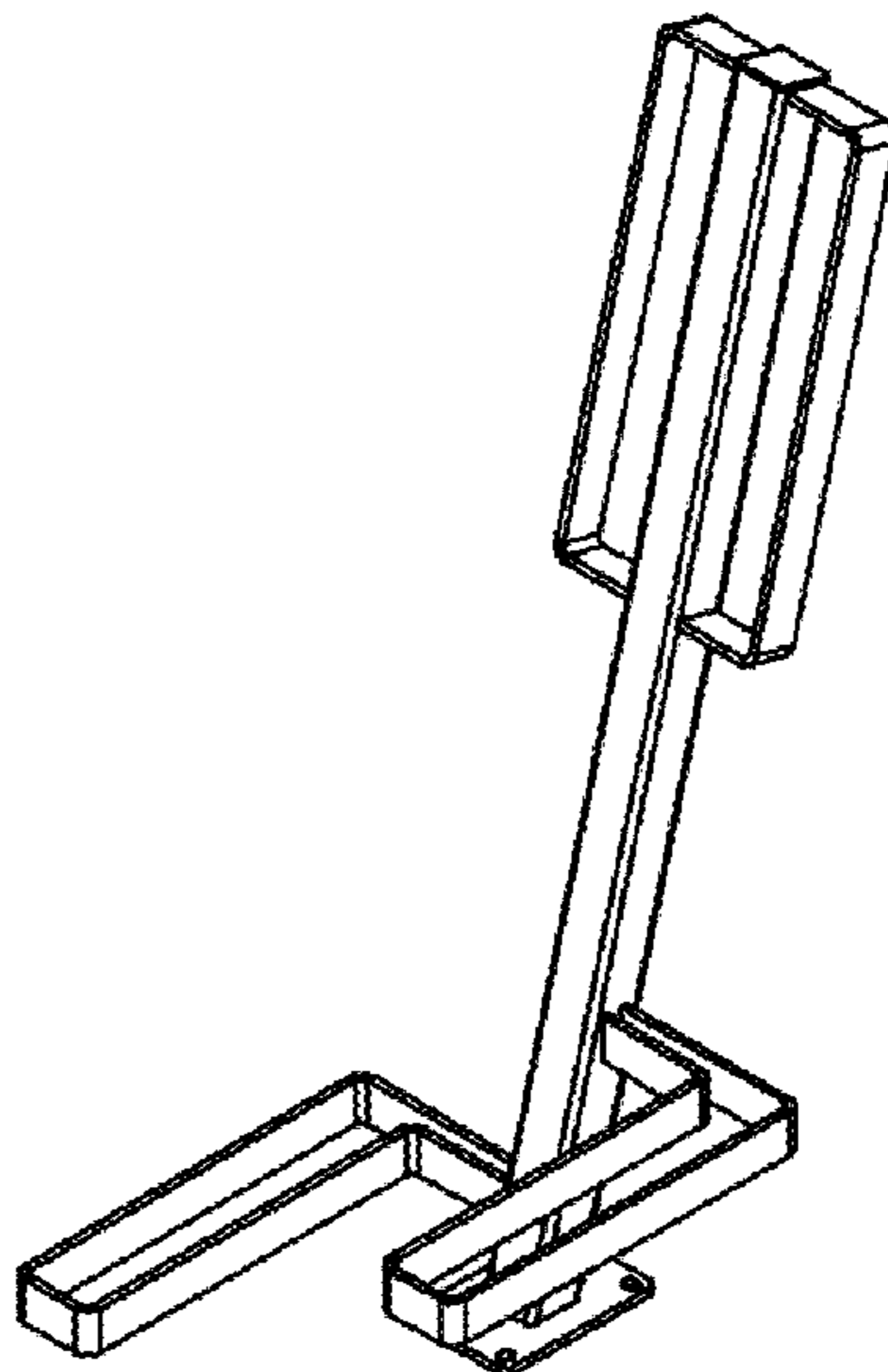
(57) **CLAIM**

The ornamental design for a bicycle storage apparatus, as shown and described.

**DESCRIPTION**

FIG. 1 is a rear, right side perspective view of a bicycle storage apparatus showing our new design; FIG. 2 is a top plan view thereof; FIG. 3 is a front elevational view thereof; FIG. 4 is a rear elevational view thereof; FIG. 5 is a right side elevational view thereof; and, FIG. 6 is a left side elevational view thereof.

**1 Claim, 1 Drawing Sheet**



(56)

**References Cited**

U.S. PATENT DOCUMENTS

D605,093	S	12/2009	Lohr et al.	
D620,845	S	8/2010	Scholtz et al.	
D623,991	S *	9/2010	Nusbaum .....	D12/115
D644,549	S *	9/2011	Skalka .....	B62H 3/00 D10/113.2
D666,537	S *	9/2012	Hoadley .....	D12/115
D710,783	S	8/2014	Behar et al.	
D719,491	S *	12/2014	Rayl .....	D12/115
D730,247	S *	5/2015	Weeks .....	D12/115
D737,196	S	8/2015	Pappas	
D749,013	S	2/2016	Bauer et al.	
D759,570	S	6/2016	Pappas	
D768,545	S *	10/2016	Greenblatt .....	D12/115
D774,422	S	12/2016	Greenblatt et al.	
D778,788	S *	2/2017	Tsai .....	D12/115
D796,387	S *	9/2017	Lee .....	D12/115
D820,168	S *	6/2018	Peruzzo .....	D12/115
D826,104	S *	8/2018	Withagen .....	D12/115
2013/0264297	A1 *	10/2013	Long .....	B62H 3/04 211/20

\* cited by examiner

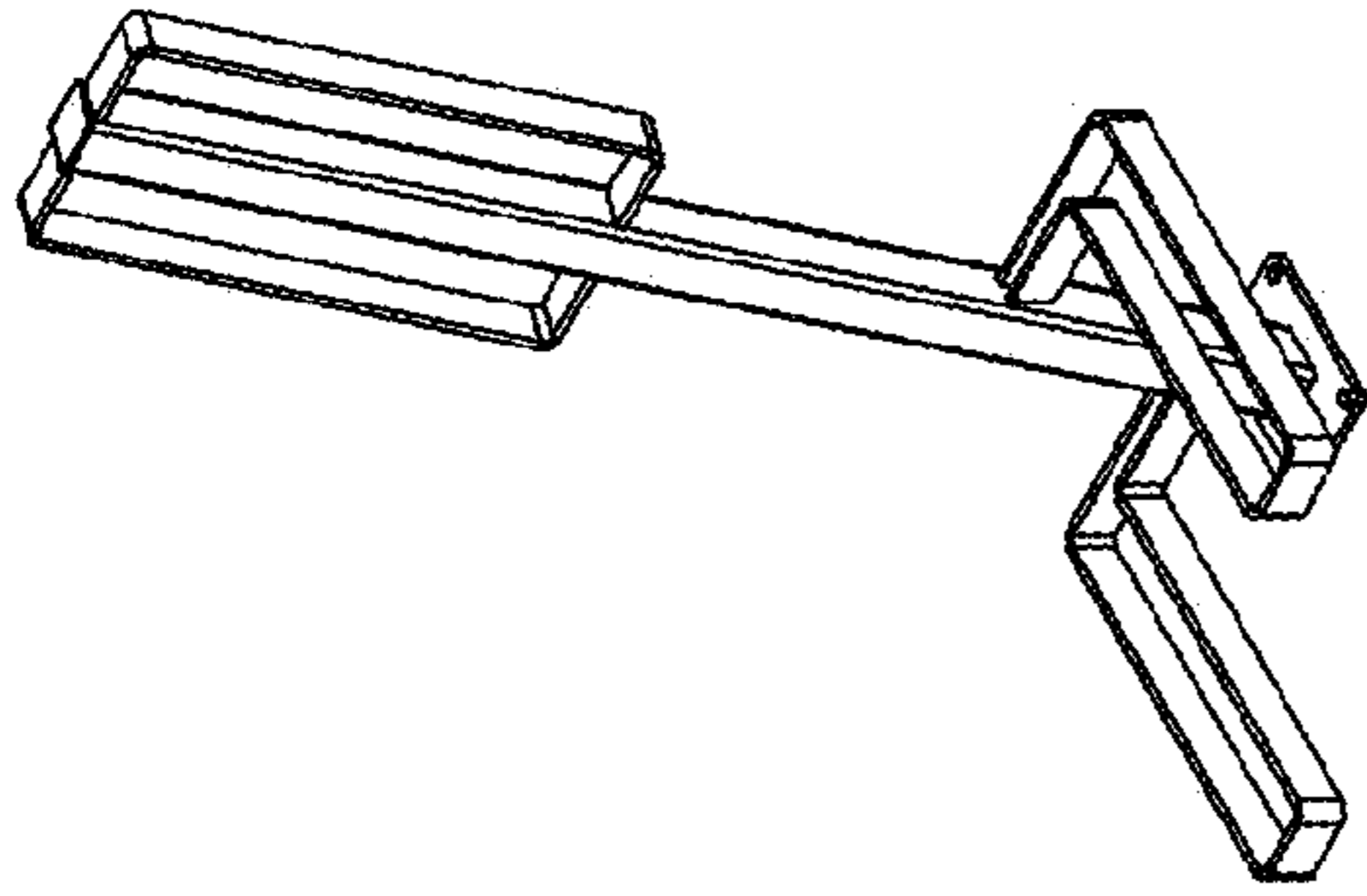


FIG 1

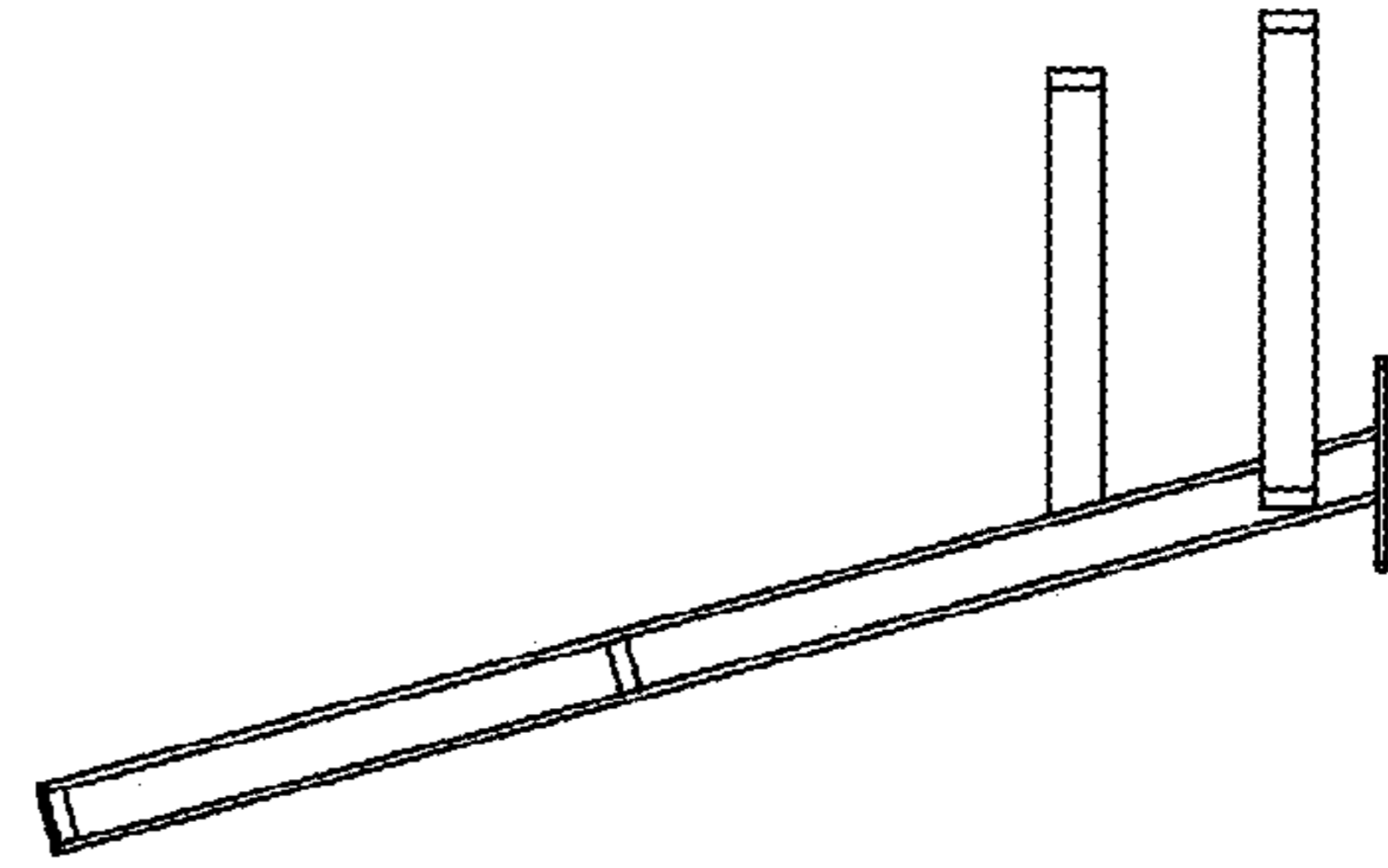


FIG 6

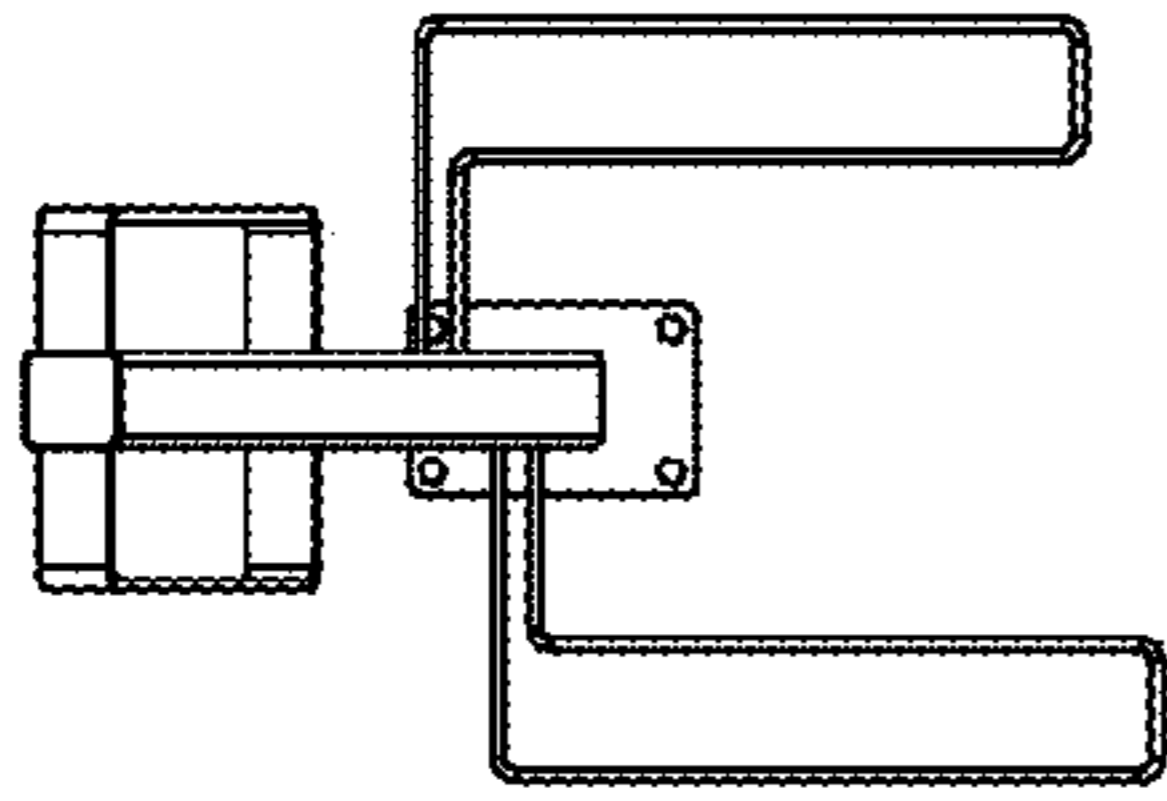


FIG 2

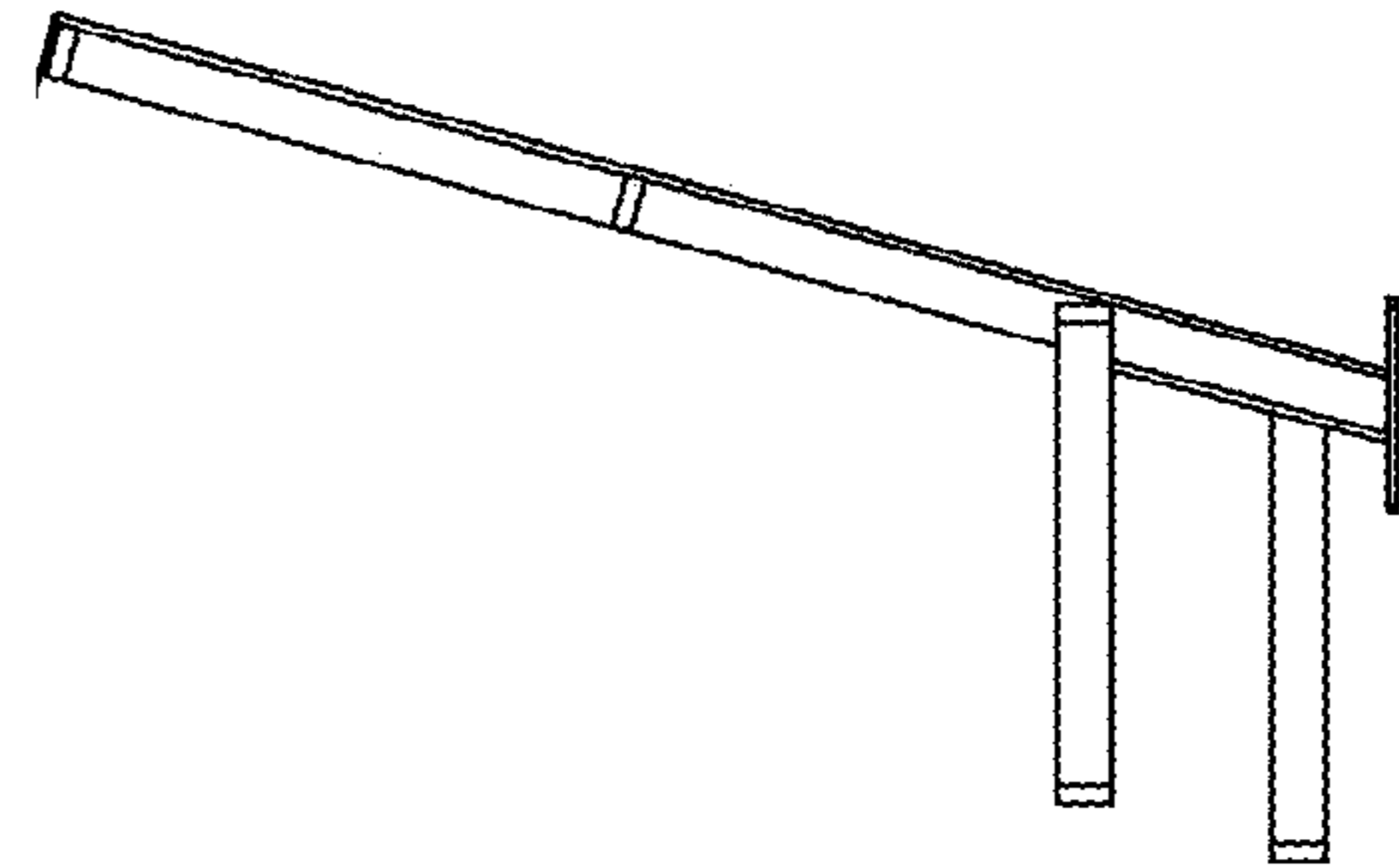


FIG 5

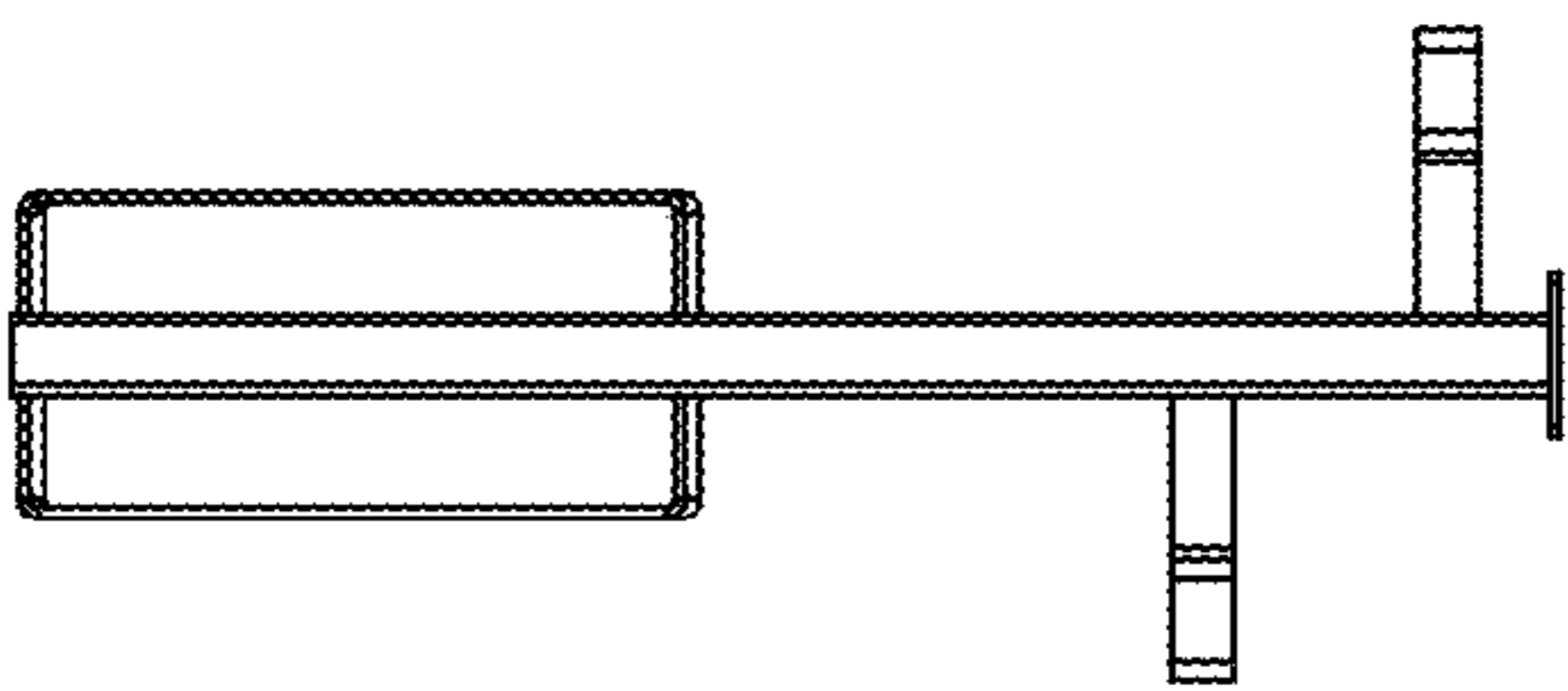


FIG 3

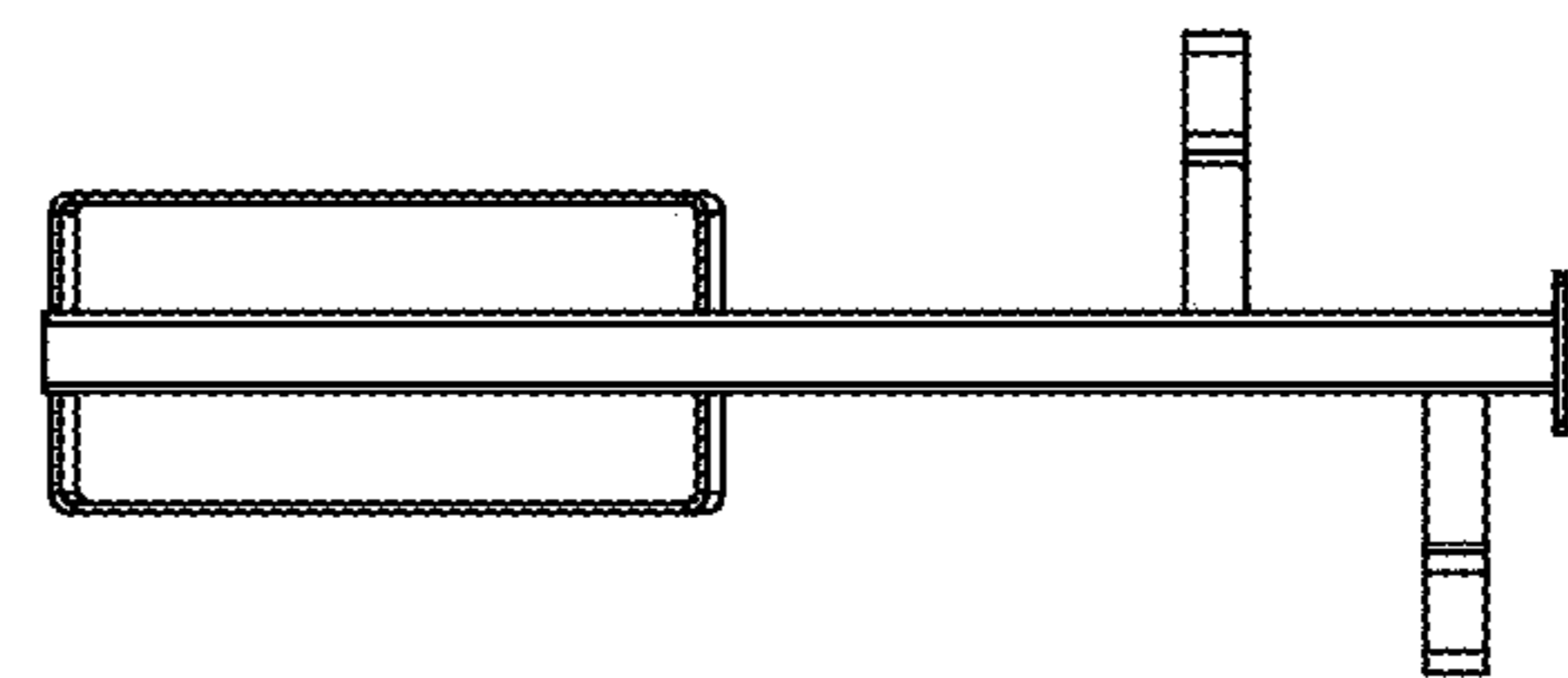


FIG 4