



US00D875025S

(12) **United States Design Patent** (10) **Patent No.:** **US D875,025 S**  
**Olsen et al.** (45) **Date of Patent:** **\*\* Feb. 11, 2020**

(54) **FLUID CONTAINMENT CONE FOR WASHER AND COOLANT CAPS**

(71) Applicant: **Toledo Molding & Die, Inc.**, Toledo, OH (US)

(72) Inventors: **Robert Olsen**, Monroe, MI (US);  
**James Papke**, Temperance, MI (US);  
**John D. Law**, Dundee, MI (US)

(73) Assignee: **Toledo Molding & Die, Inc.**, Toledo, OH (US)

(\*\*) Term: **15 Years**

(21) Appl. No.: **29/653,093**

(22) Filed: **Jun. 12, 2018**

(51) **LOC (12) Cl.** ..... **12-16**

(52) **U.S. Cl.**  
USPC ..... **D12/400; D15/150**

(58) **Field of Classification Search**  
USPC ..... D12/400, 415, 162, 174-177, 179, 180,  
D12/181, 190-192, 196, 218; D7/400,  
D7/700, 667; D15/150

CPC .. B60T 17/00; B60D 1/01; B60D 1/14; B60R  
25/02105; B60R 2011/001

See application file for complete search history.

(56) **References Cited**

**U.S. PATENT DOCUMENTS**

1,662,147	A	*	3/1928	Farden	.....	B67C 11/02
						141/339
D260,243	S	*	8/1981	Dogliotti	.....	D7/400
D279,068	S	*	6/1985	Burin	.....	D7/312
D288,059	S	*	2/1987	Fling	.....	D8/34
D333,506	S	*	2/1993	Krajewski	.....	D15/199
D397,002	S	*	8/1998	Smith	.....	D7/700
D498,992	S	*	11/2004	Bloom	.....	D7/700
D501,377	S	*	2/2005	Sanfilippo	.....	D7/590
D539,417	S	*	3/2007	Cimino	.....	D24/108

D541,116	S	*	4/2007	Upham	.....	D7/700
D657,637	S	*	4/2012	Gascoine	.....	D7/700
D687,080	S	*	7/2013	Carroll	.....	D15/150
D731,730	S	*	6/2015	Wattenbarger	.....	D34/2
D731,731	S	*	6/2015	Wattenbarger	.....	D34/2
D734,221	S	*	7/2015	Vargas	.....	D12/162
D763,335	S	*	8/2016	Ruffin	.....	D15/150
D763,936	S	*	8/2016	Ruffin, Jr.	.....	D15/150
D802,404	S	*	11/2017	Turksu	.....	D8/373

**OTHER PUBLICATIONS**

“Lisle 24680 Spill-Free Funnel” [online]. Lisle. [Available since Apr. 30, 2014]. Retrieved from the Internet: <<https://www.amazon.co.uk/Lisle-24680-Spill-Free-Funnel/dp/B00A6AS6LY>>.\*

\* cited by examiner

*Primary Examiner* — Khawaja Anwar

*Assistant Examiner* — Mojtaba Tehrani

(74) *Attorney, Agent, or Firm* — McHale & Slavin, P.A.

(57) **CLAIM**

The ornamental design for a fluid containment cone for washer and coolant caps, as shown and described.

**DESCRIPTION**

FIG. 1 is a top perspective view of a fluid containment cone for washer and coolant caps, showing our new design;

FIG. 2 is a bottom perspective view thereof;

FIG. 3 is another bottom perspective view thereof;

FIG. 4 is a front plane view thereof;

FIG. 5 is a side plane view thereof;

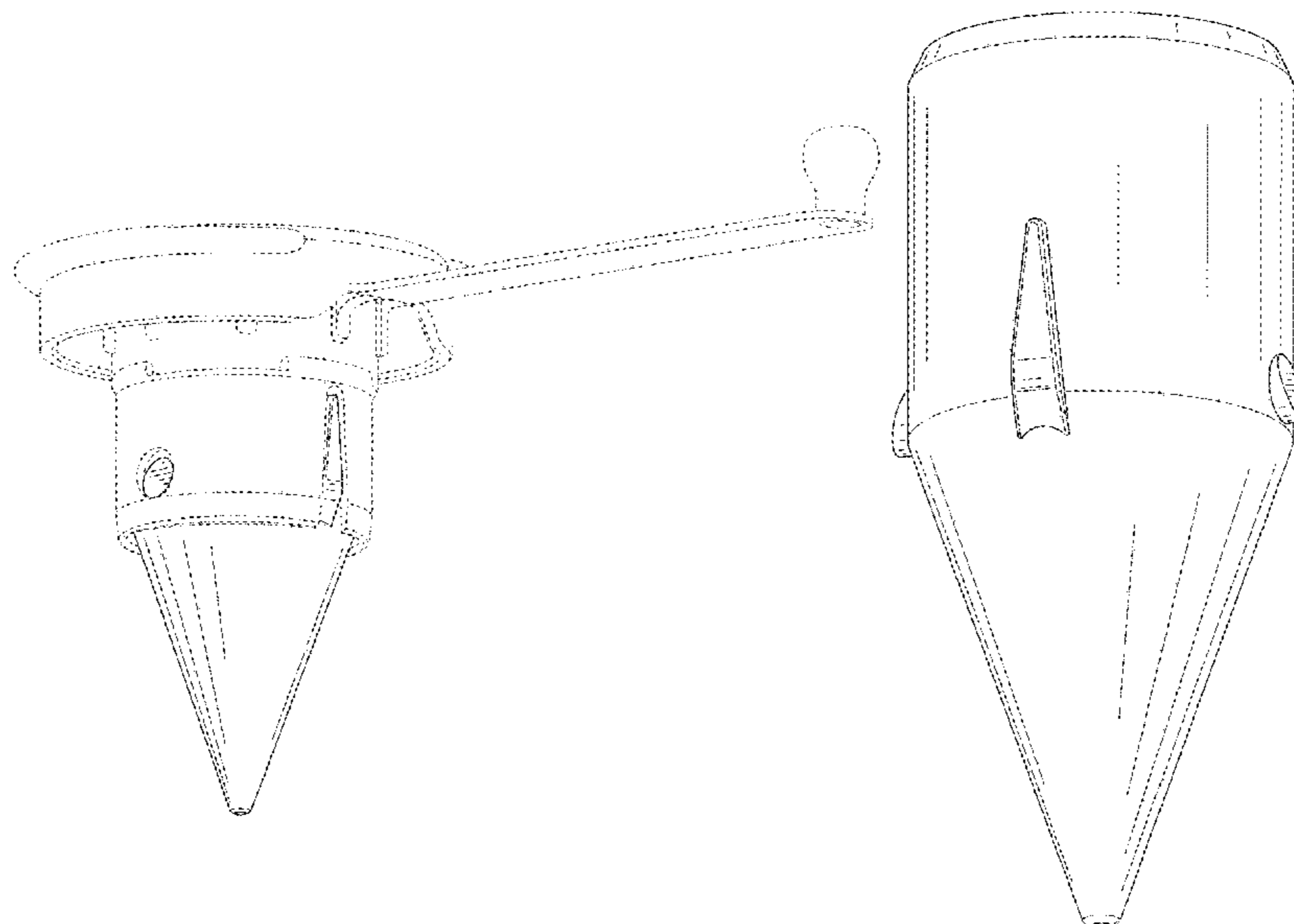
FIG. 6 is a top plane view thereof;

FIG. 7 is a bottom plane view thereof; and,

FIG. 8 is a perspective top view thereof.

The portions of the fluid containment cone for washer and coolant caps illustrated in broken lines form no part of the claimed subject matter.

**1 Claim, 7 Drawing Sheets**



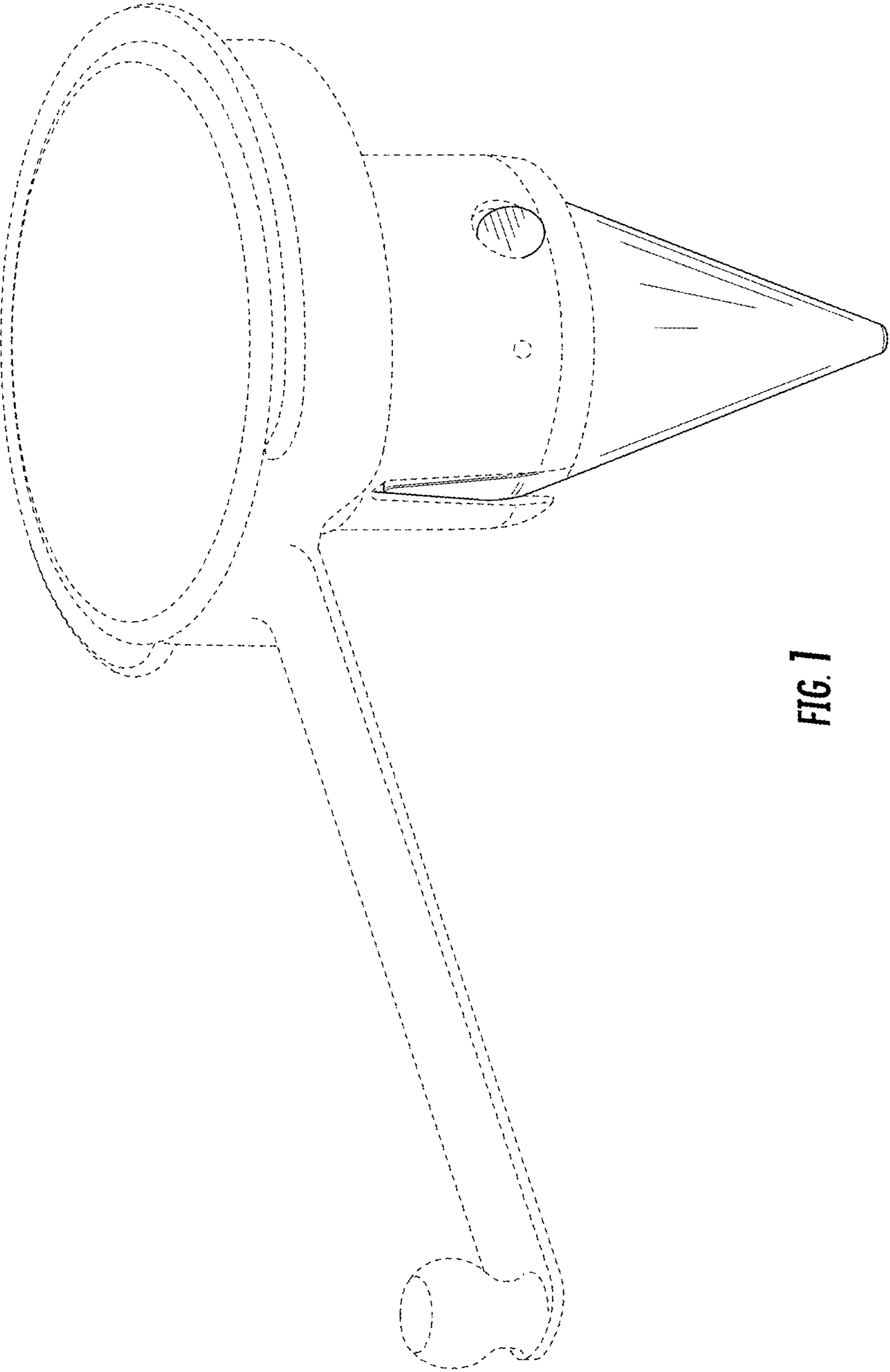


FIG. 1

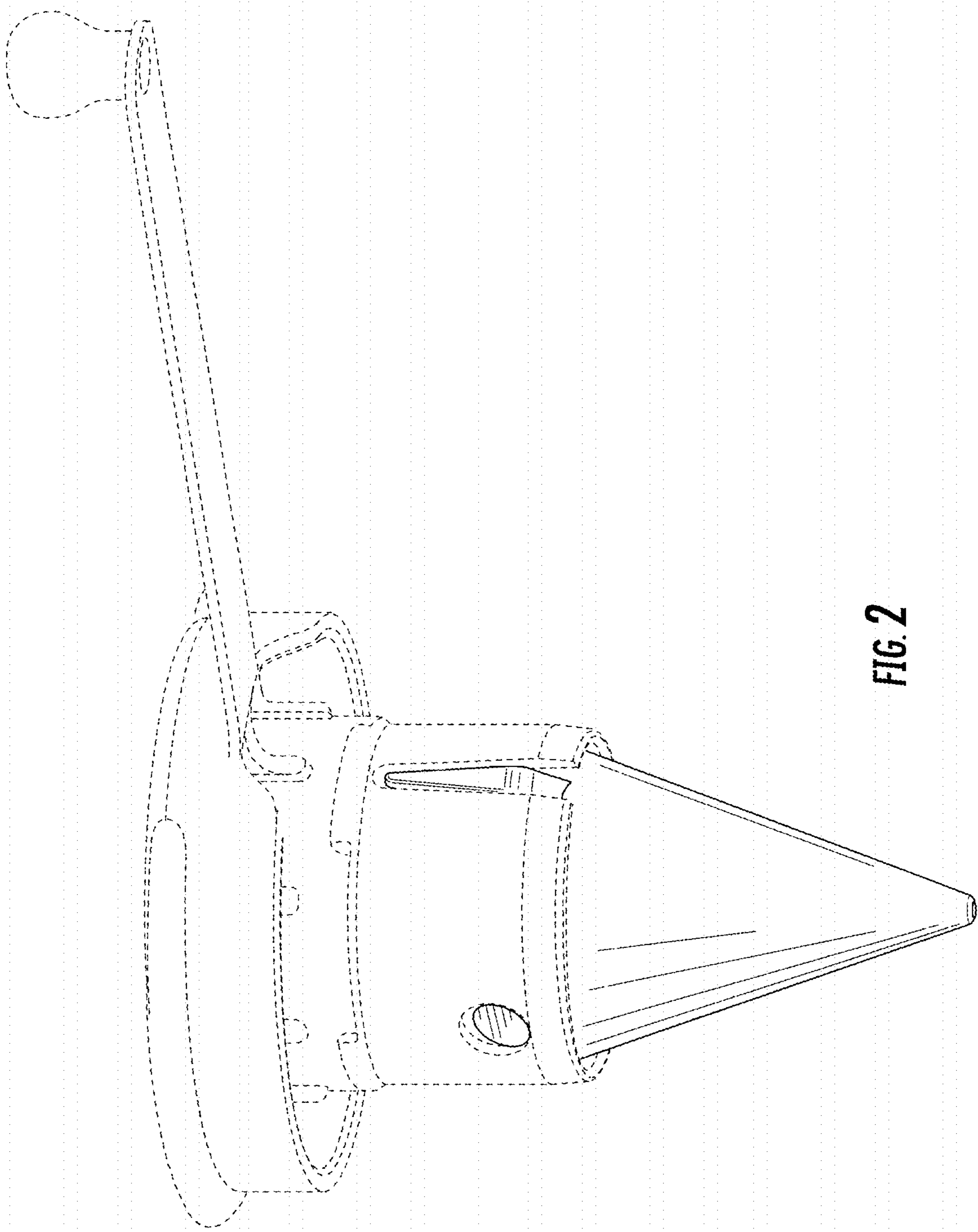


FIG. 2

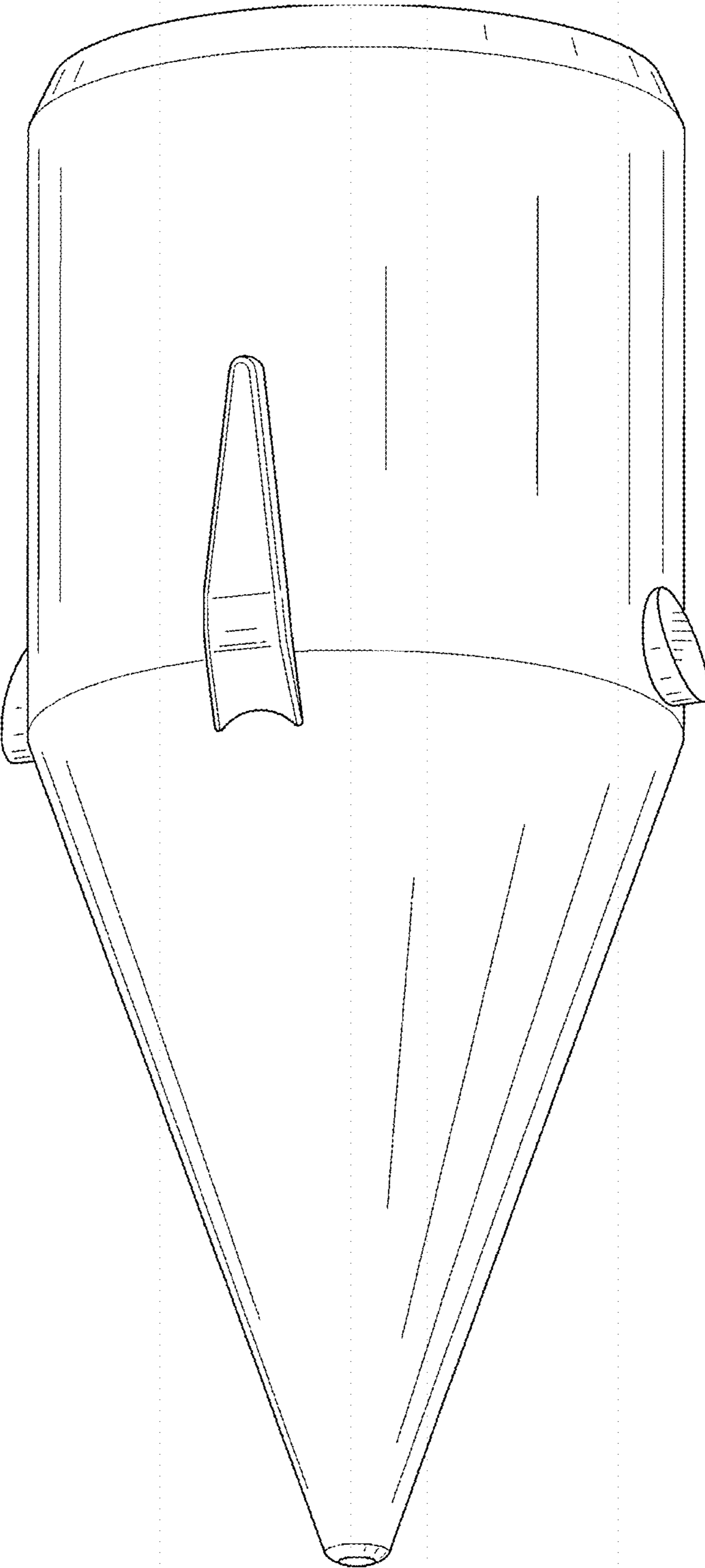


FIG. 3

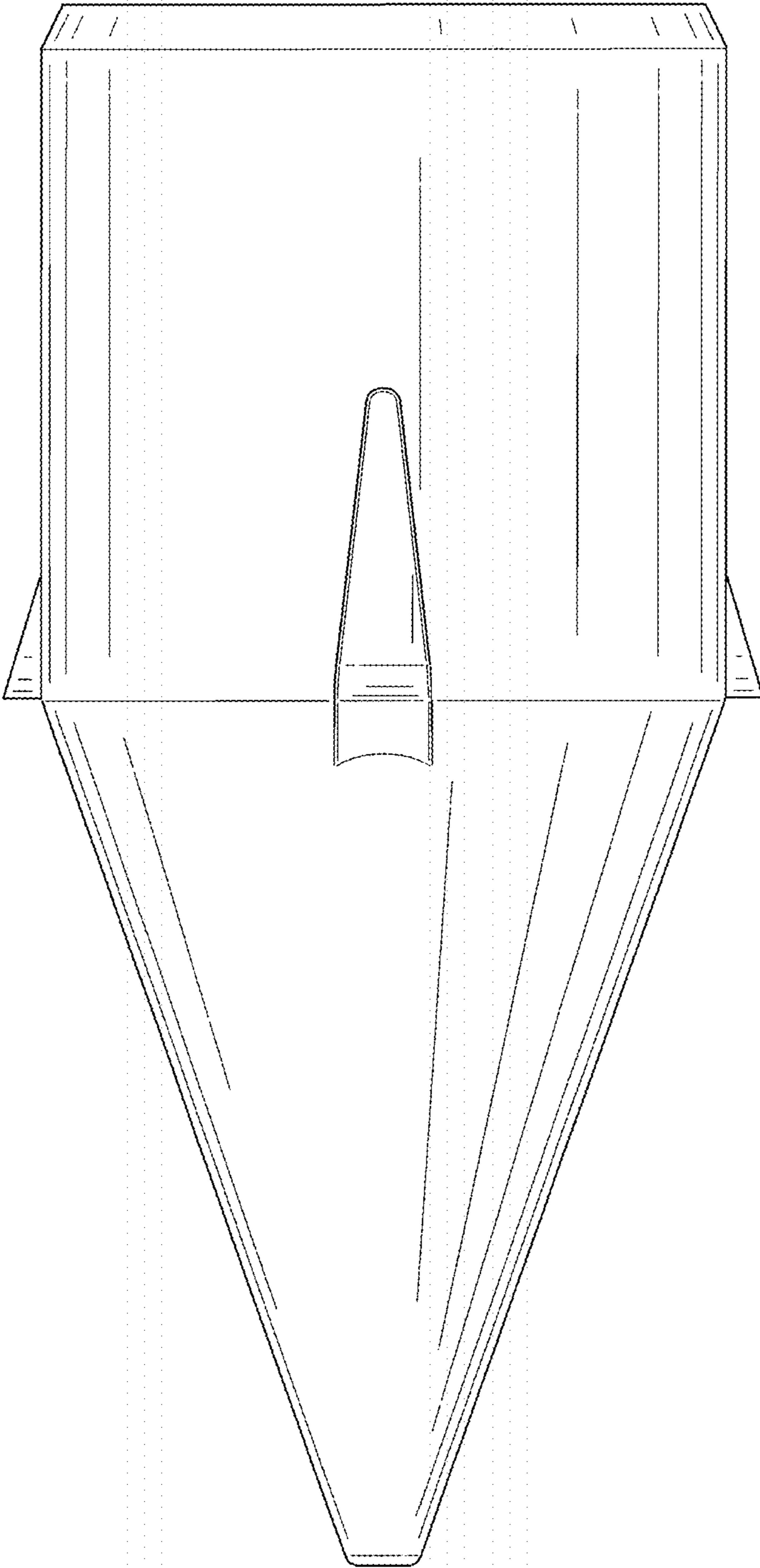


FIG. 4

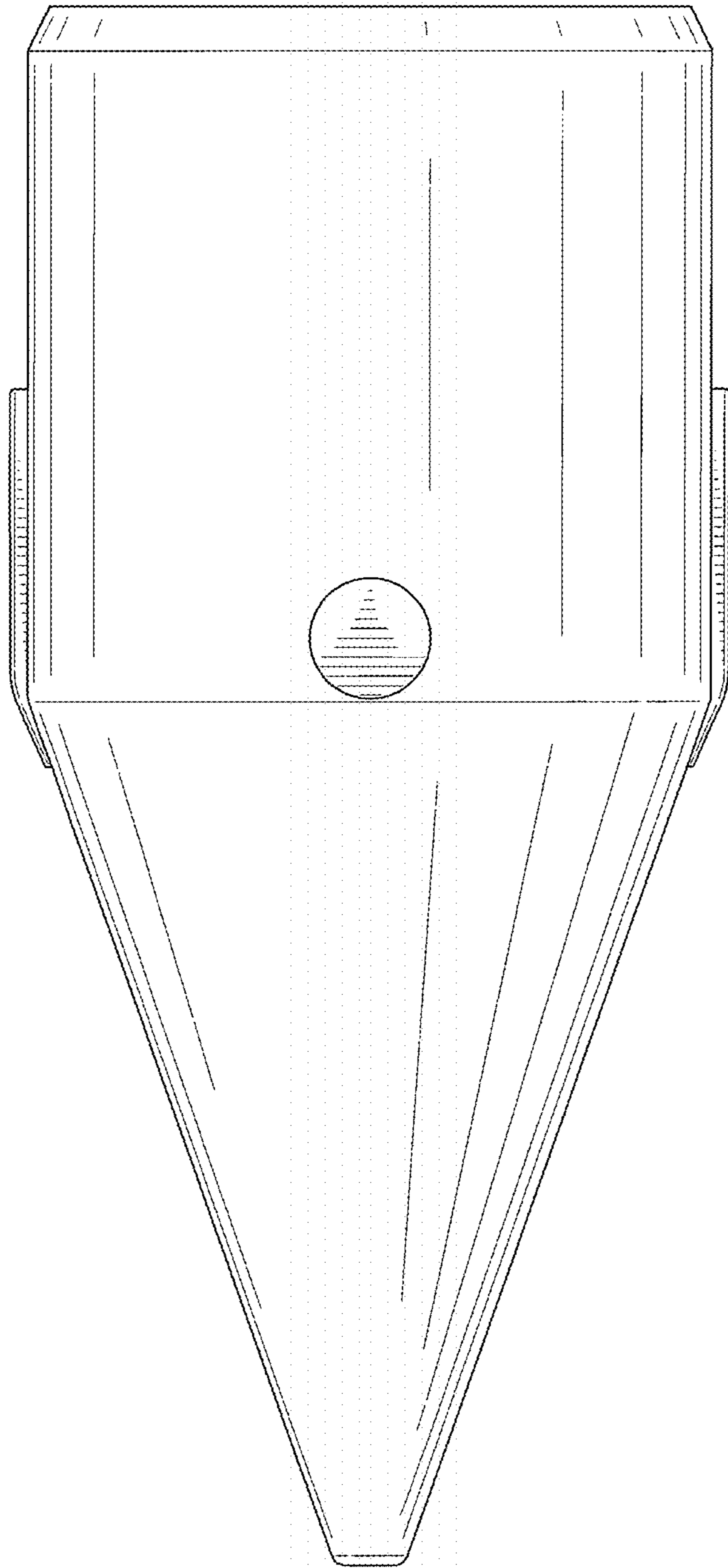
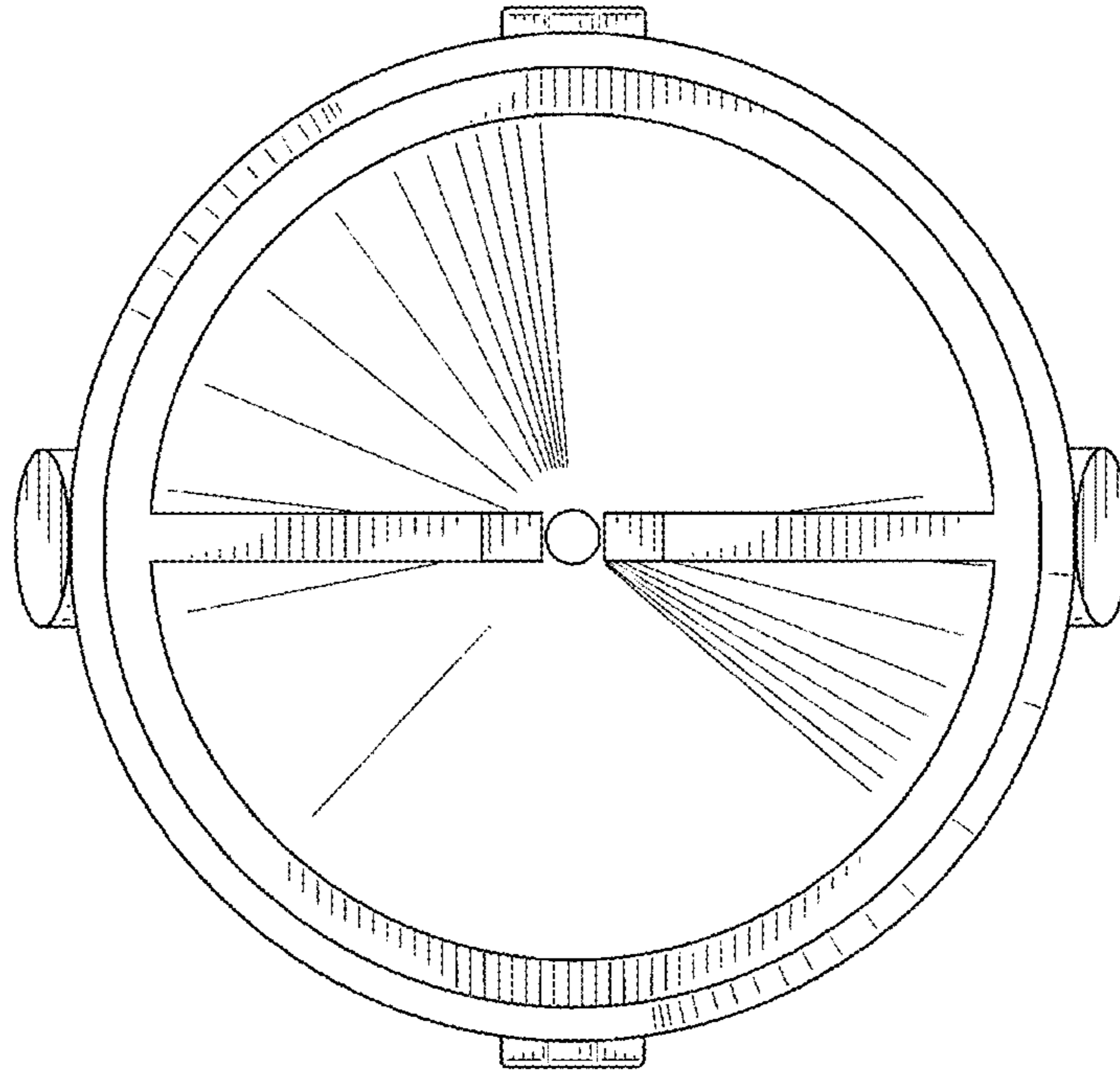
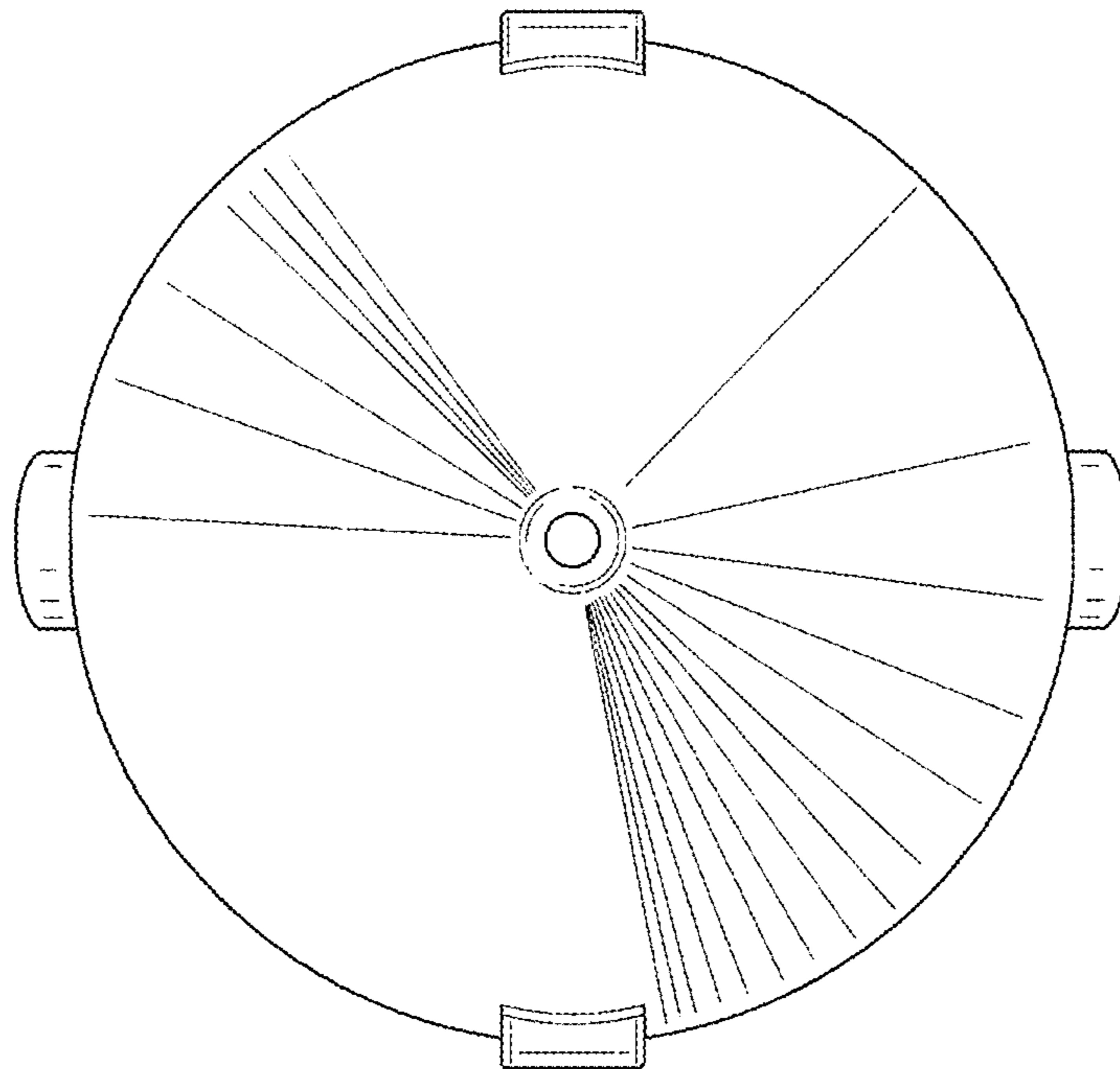


FIG. 5



**FIG. 6**



**FIG. 7**

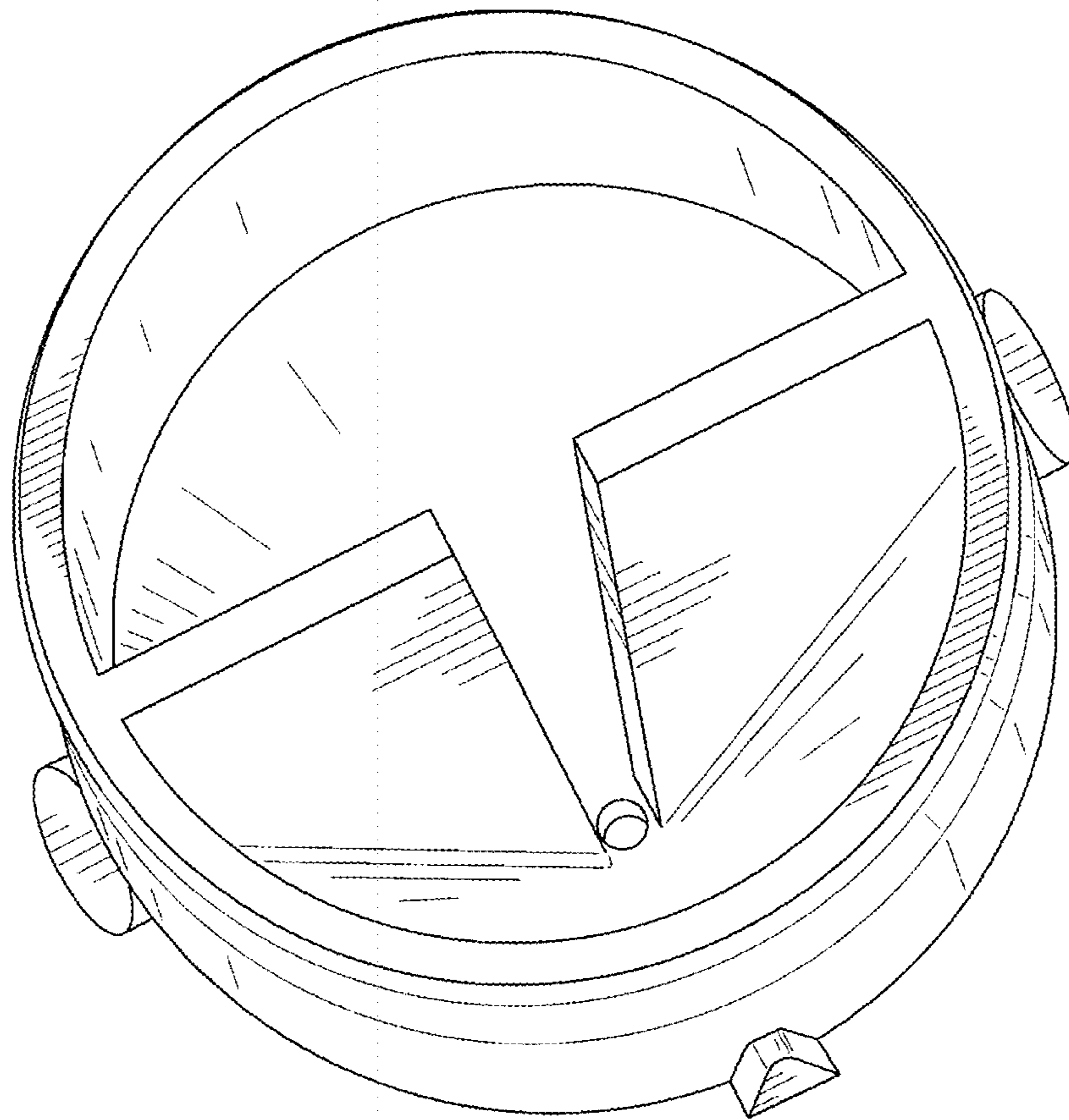


FIG. 8