



US00D875021S

(12) **United States Design Patent** (10) **Patent No.:** **US D875,021 S**  
**Nunes** (45) **Date of Patent:** **\*\* Feb. 11, 2020**

(54) **AIRBIKE**  
(71) Applicant: **Brendon G. Nunes, Ajax (CA)**  
(72) Inventor: **Brendon G. Nunes, Ajax (CA)**  
(\*\*) Term: **15 Years**  
(21) Appl. No.: **29/620,964**  
(22) Filed: **Sep. 11, 2017**  
(51) **LOC (12) Cl.** ..... **12-07**  
(52) **U.S. Cl.**  
USPC ..... **D12/326**  
(58) **Field of Classification Search**  
USPC ..... D12/319-345, 1-4, 16.1, 214;  
D21/436-454; D30/160  
CPC ..... B64C 29/0025; B64C 2201/108; B64C  
2201/048; B64C 2201/088; B64C 29/00;  
B64C 29/0058; B64C 39/001; B64C  
39/024; B64C 39/062; B64C 2201/141;  
B64C 27/12  
See application file for complete search history.

(56) **References Cited**  
U.S. PATENT DOCUMENTS  
D189,462 S \* 12/1960 Vogt ..... D12/329  
D193,369 S \* 8/1962 Walker ..... D12/330  
D196,213 S \* 9/1963 Paxhia ..... D12/330  
3,360,217 A \* 12/1967 Trotter ..... B64C 29/0033  
244/12.4  
D454,109 S \* 3/2002 Moshier ..... D12/319  
7,472,863 B2 \* 1/2009 Pak ..... A63H 27/14  
244/12.5  
D634,257 S \* 3/2011 Alexander ..... D12/326  
8,016,226 B1 \* 9/2011 Wood ..... B64C 29/0033  
244/12.4  
D648,809 S \* 11/2011 Seydoux ..... D21/441  
8,152,096 B2 \* 4/2012 Smith ..... B64C 29/0033  
244/12.4  
D659,771 S \* 5/2012 Seydoux ..... D21/441

8,720,814 B2 \* 5/2014 Smith ..... B64C 29/0033  
244/12.4  
D708,272 S \* 7/2014 Schmelter ..... D12/16.1  
8,983,682 B1 \* 3/2015 Peeters ..... B64C 39/024  
244/190  
9,132,915 B2 \* 9/2015 Zhu ..... B64C 29/0025  
D751,025 S \* 3/2016 Howell ..... D12/16.1  
9,387,927 B2 \* 7/2016 Rischmuller ..... B64C 39/024  
9,422,139 B1 \* 8/2016 Bialkowski ..... B64C 39/024  
9,540,121 B2 \* 1/2017 Byers ..... B64C 39/024  
D779,595 S \* 2/2017 Xiao ..... D12/16.1  
9,852,644 B2 \* 12/2017 Salnikov ..... A01B 79/02  
9,902,493 B2 \* 2/2018 Simon ..... B64C 29/0025  
9,927,682 B2 \* 3/2018 Fisher ..... G03B 15/006  
D816,583 S \* 5/2018 Dutertre ..... D12/328  
10,086,309 B2 \* 10/2018 Yamada ..... A63H 27/12  
(Continued)

**OTHER PUBLICATIONS**

Kitty Hawk hover bike; <https://www.youtube.com/watch?v=oMAgQepUonw>.  
(Continued)

*Primary Examiner* — Marissa J Cash

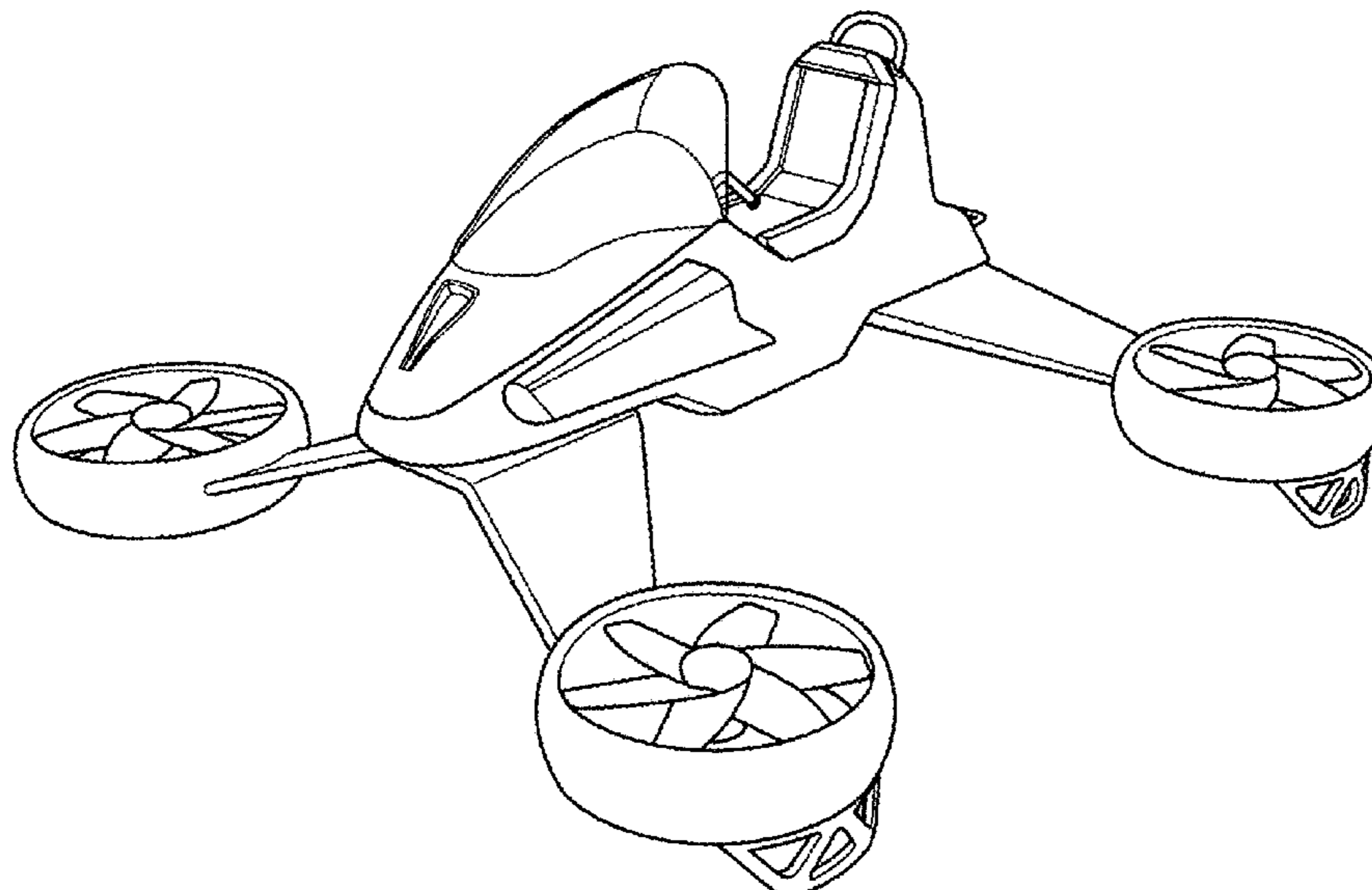
(57) **CLAIM**

I claim the ornamental design for an airbike, as shown and described.

**DESCRIPTION**

FIG. 1 is a top perspective view of an airbike showing my new design;  
FIG. 2 is a top plan view thereof;  
FIG. 3 is a bottom plan view thereof;  
FIG. 4 is a front elevational view thereof;  
FIG. 5 is a rear elevational view thereof; and,  
FIG. 6 is a left side view thereof, the right side a mirror image.  
In the drawings, the broken lines depict portions of the airbike that form no part of the claimed design.

**1 Claim, 6 Drawing Sheets**



(56)

**References Cited**

U.S. PATENT DOCUMENTS

10,131,428 B1 \* 11/2018 Sopper ..... B64C 27/08  
2006/0226281 A1 \* 10/2006 Walton ..... B64C 27/20  
244/17.23  
2007/0105474 A1 \* 5/2007 Gotou ..... A63H 27/02  
446/37  
2008/0048065 A1 \* 2/2008 Kuntz ..... A63H 17/00  
244/17.23  
2014/0374532 A1 \* 12/2014 Duffy ..... B64C 37/02  
244/2  
2016/0068261 A1 \* 3/2016 Niederberger ..... B64C 39/024  
244/2  
2017/0073070 A1 \* 3/2017 Xing ..... B64C 39/024  
2017/0277187 A1 \* 9/2017 Refai ..... G06T 7/30

OTHER PUBLICATIONS

HoverSurf hoverbike; <https://www.youtube.com/watch?v=gSwARmZSs6M>.

\* cited by examiner

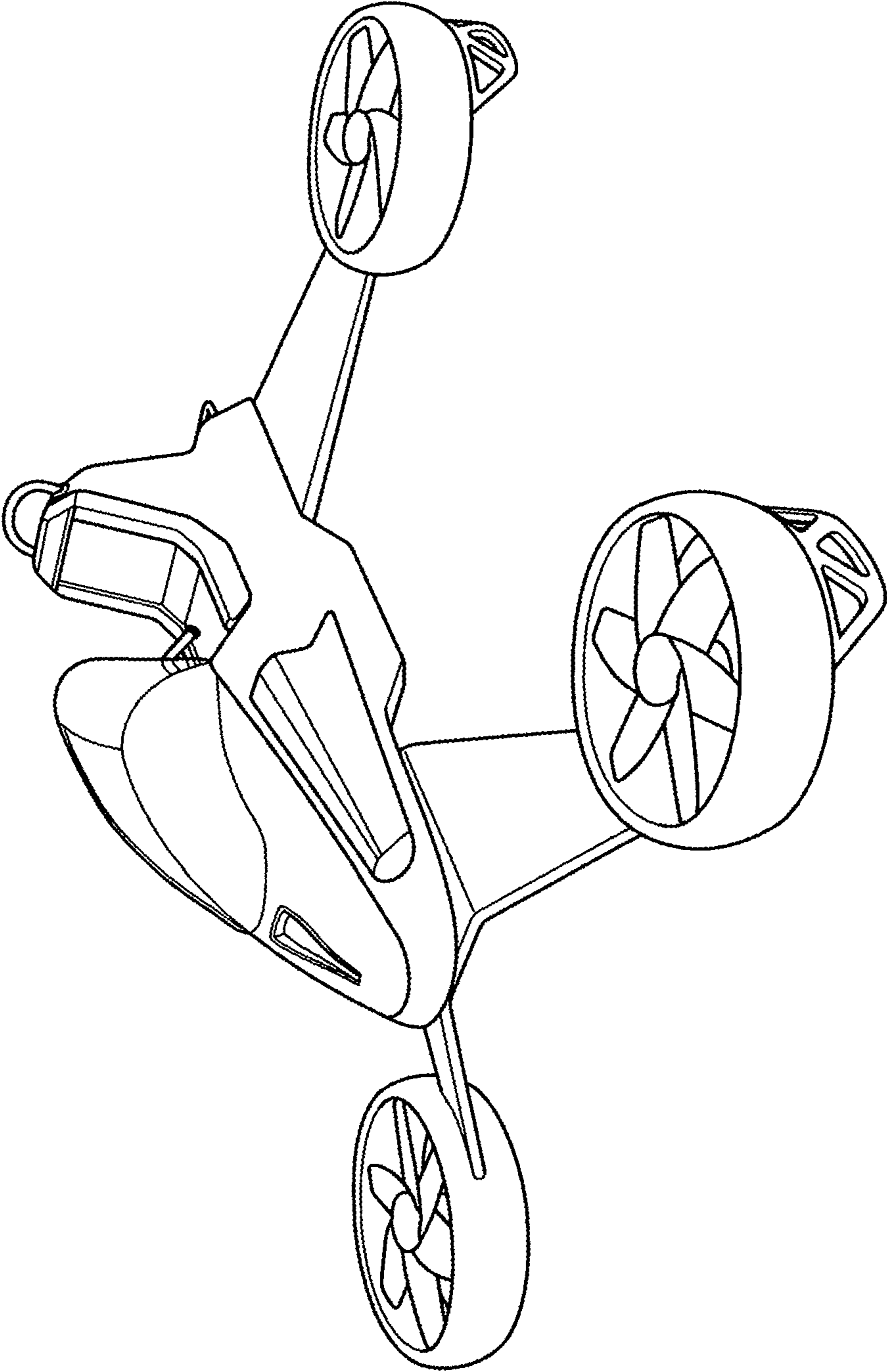


FIG. 1

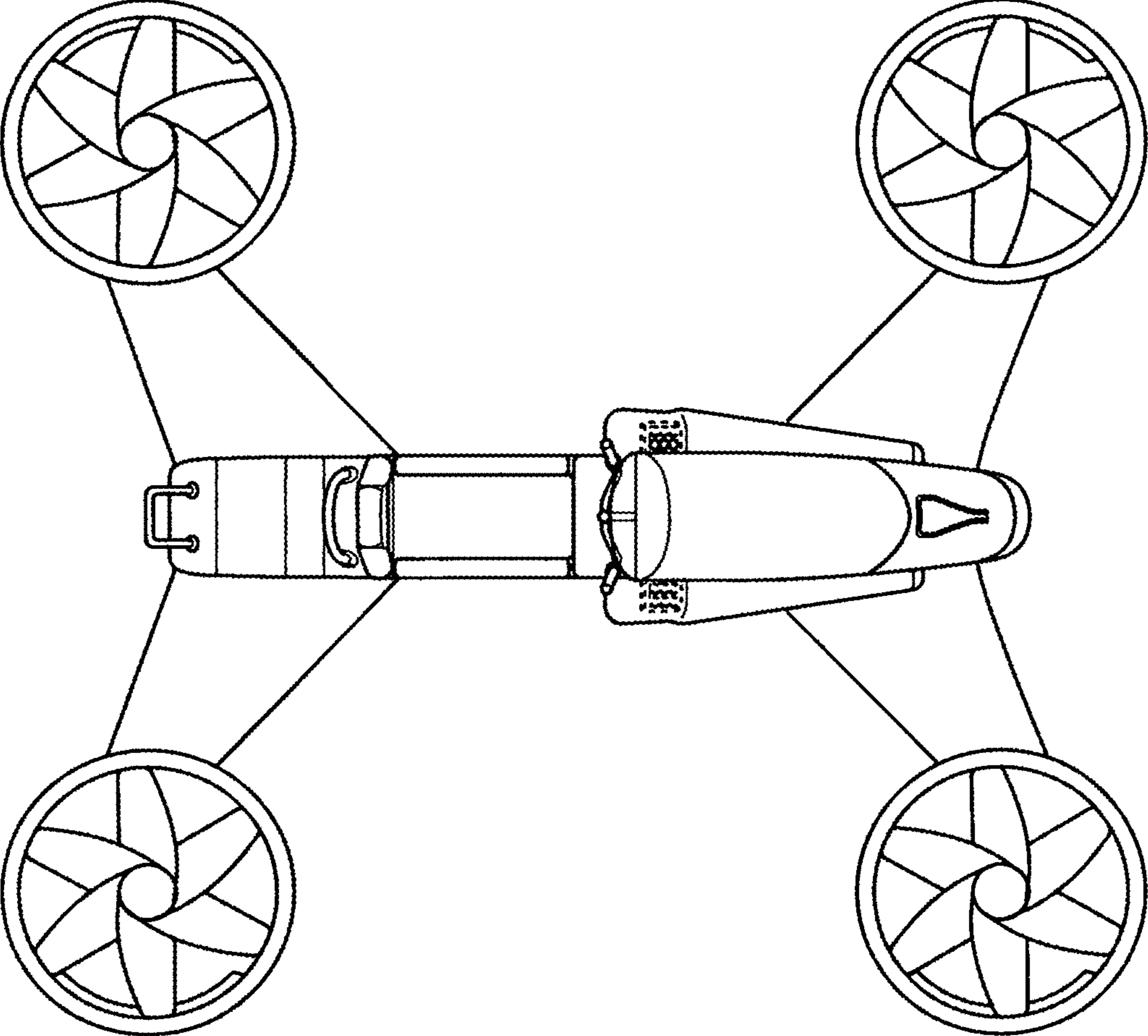


FIG. 2

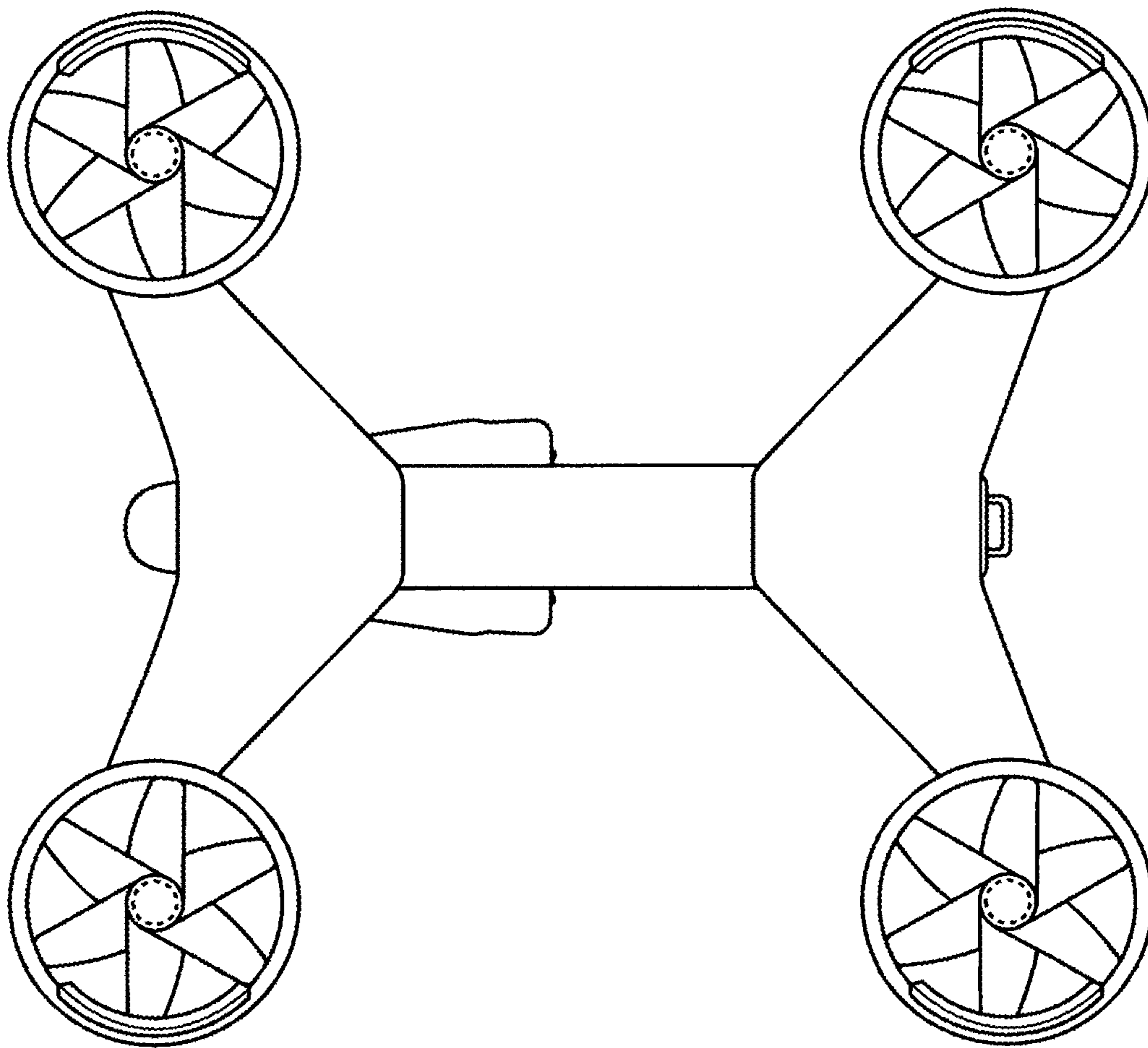


FIG. 3

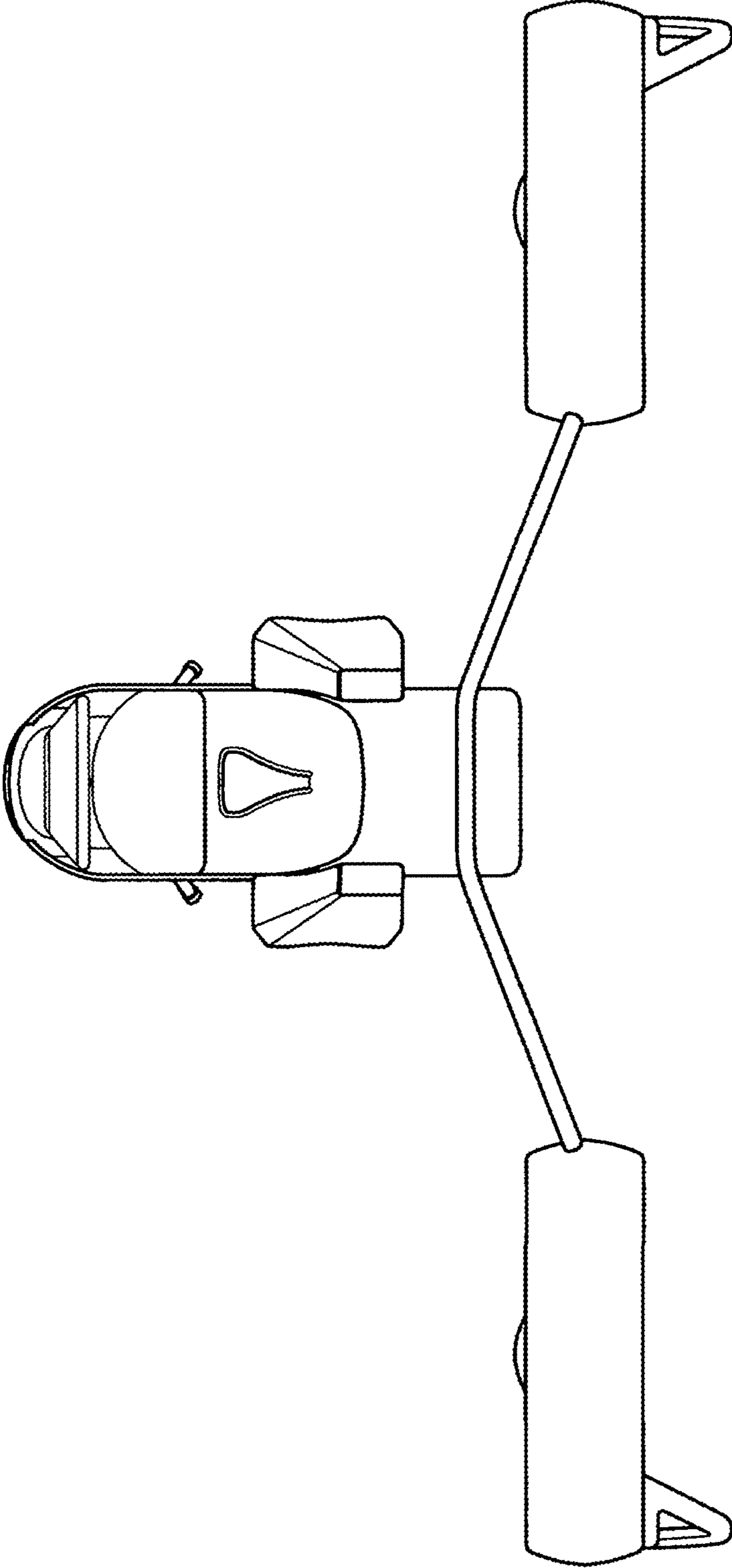


FIG. 4

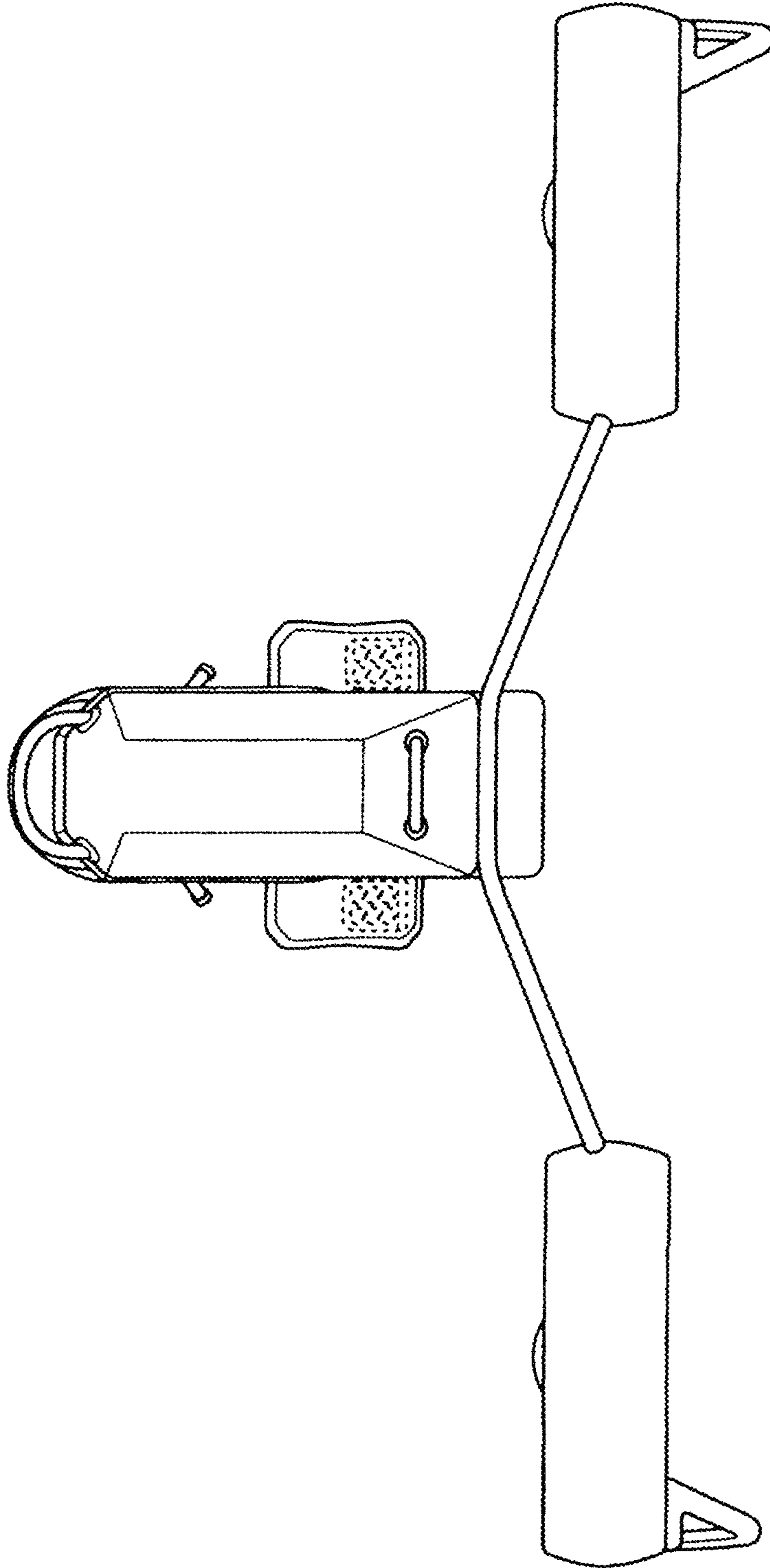


FIG. 5

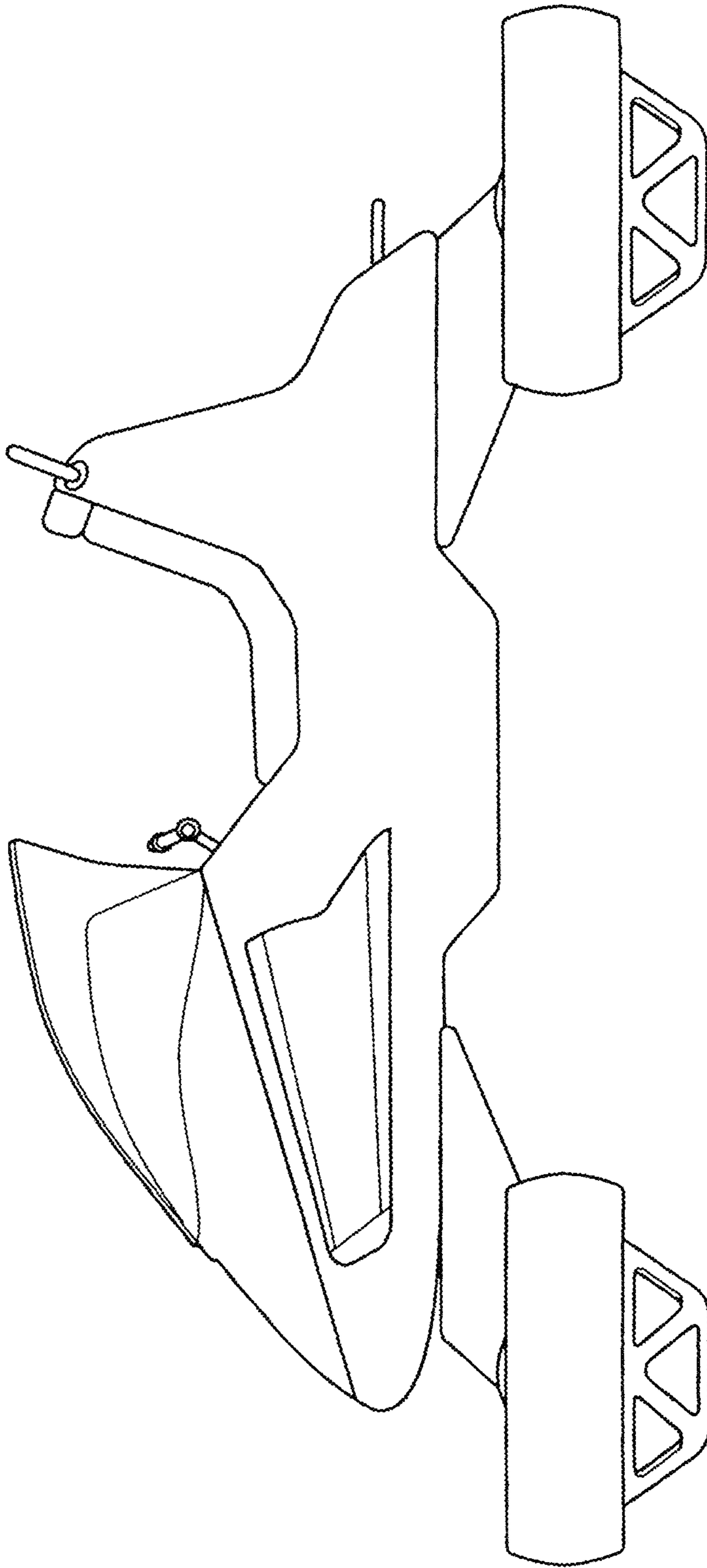


FIG. 6