

US00D875019S

(12) **United States Design Patent** (10) **Patent No.:** **US D875,019 S**
Lepauvre et al. (45) **Date of Patent:** **** Feb. 11, 2020**

(54) **WIPER BLADE PORTION**
(71) Applicant: **Robert Bosch GmbH**, Stuttgart (DE)
(72) Inventors: **Dominik Lepauvre**, Ortenberg (DE); **Michael Kruse**, Sinzheim (DE); **Koen Lammens**, Heverlee (BE); **Marcello Bubba**, Linden (BE); **Hubert Verelst**, Tienen (BE); **Stijn Truyens**, Tienen (BE)

(73) Assignee: **Robert Bosch GmbH**, Stuttgart (DE)

(**) Term: **15 Years**

(21) Appl. No.: **29/663,131**

(22) Filed: **Sep. 12, 2018**

(30) **Foreign Application Priority Data**

Mar. 14, 2018 (EM) 004755882

(51) **LOC (12) Cl.** **12-16**

(52) **U.S. Cl.**
USPC **D12/220**

(58) **Field of Classification Search**
USPC D12/219-220
CPC B60S 2001/3815; B60S 1/4003; B60S 1/3801

See application file for complete search history.

(56) **References Cited**

U.S. PATENT DOCUMENTS

D725,021 S * 3/2015 Poton D12/220
D725,023 S * 3/2015 Poton D12/220
D725,025 S * 3/2015 Poton D12/220

D727,238 S * 4/2015 Lepper D12/220
D809,989 S * 2/2018 Lee D12/220
D851,015 S * 6/2019 Kraemer D12/219
D851,571 S * 6/2019 Kraemer D12/219
D851,572 S * 6/2019 Kraemer D12/219
2017/0334404 A1 * 11/2017 Kawashima B60S 1/3853
2017/0334406 A1 * 11/2017 Kawashima B60S 1/3851
2017/0334407 A1 * 11/2017 Kawashima B60S 1/4077
2018/0079390 A1 * 3/2018 Tolentino B60S 1/3849

* cited by examiner

Primary Examiner — Katrina A Betton

(74) *Attorney, Agent, or Firm* — Maginot, Moore & Beck LLP

(57) **CLAIM**

The ornamental design for a wiper blade portion, as shown and described.

DESCRIPTION

FIG. 1 is a perspective view of a wiper blade portion showing our new design;

FIG. 2 is a front elevational view of the wiper blade portion of FIG. 1;

FIG. 3 is a rear elevational view of the wiper blade portion of FIG. 1;

FIG. 4 is a right side elevational view of the wiper blade portion of FIG. 1;

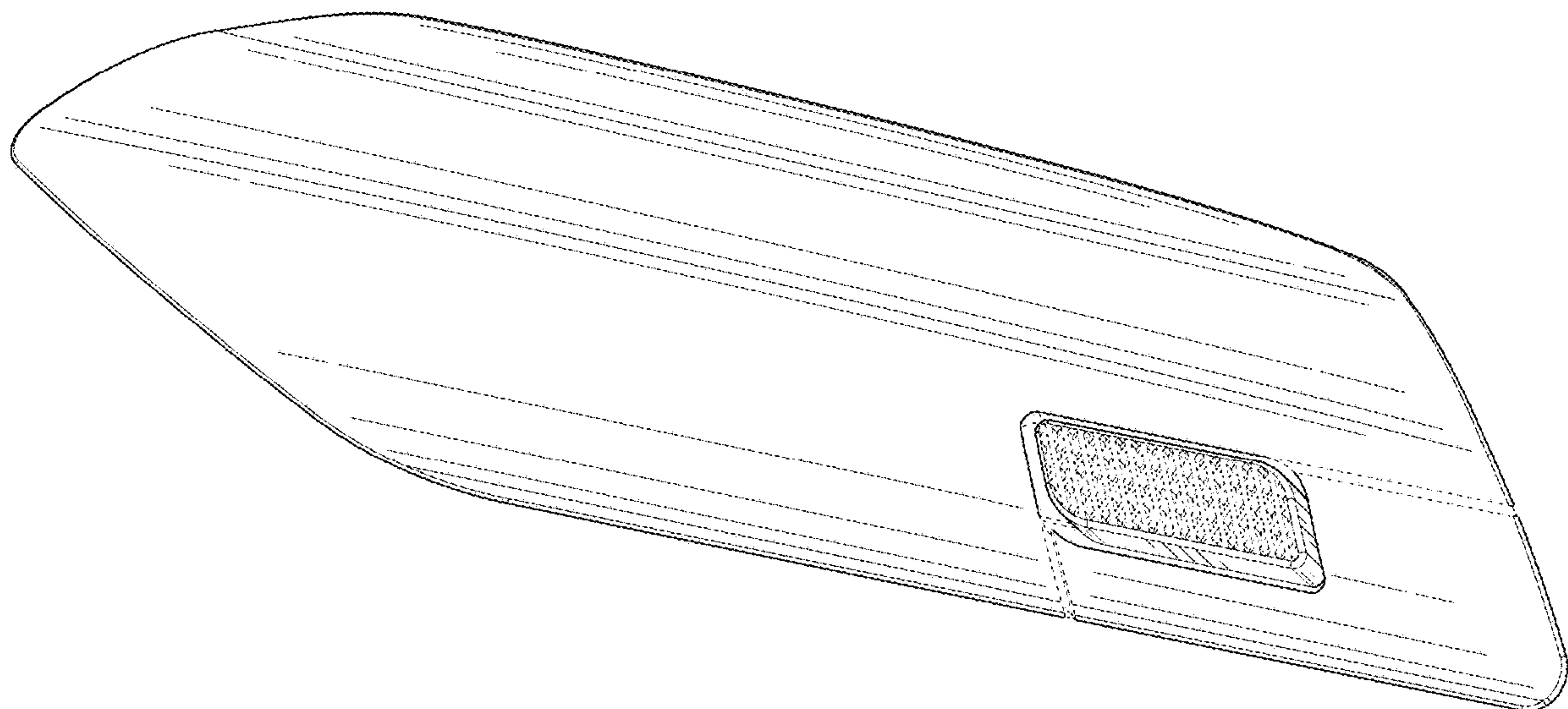
FIG. 5 is a left side elevational view of the wiper blade portion of FIG. 1;

FIG. 6 is a top plan view of the wiper blade portion of FIG. 1; and,

FIG. 7 is a bottom plan view of the wiper blade portion of FIG. 1.

In the drawings, the broken lines depict portions of the article that form no part of the claimed design.

1 Claim, 5 Drawing Sheets



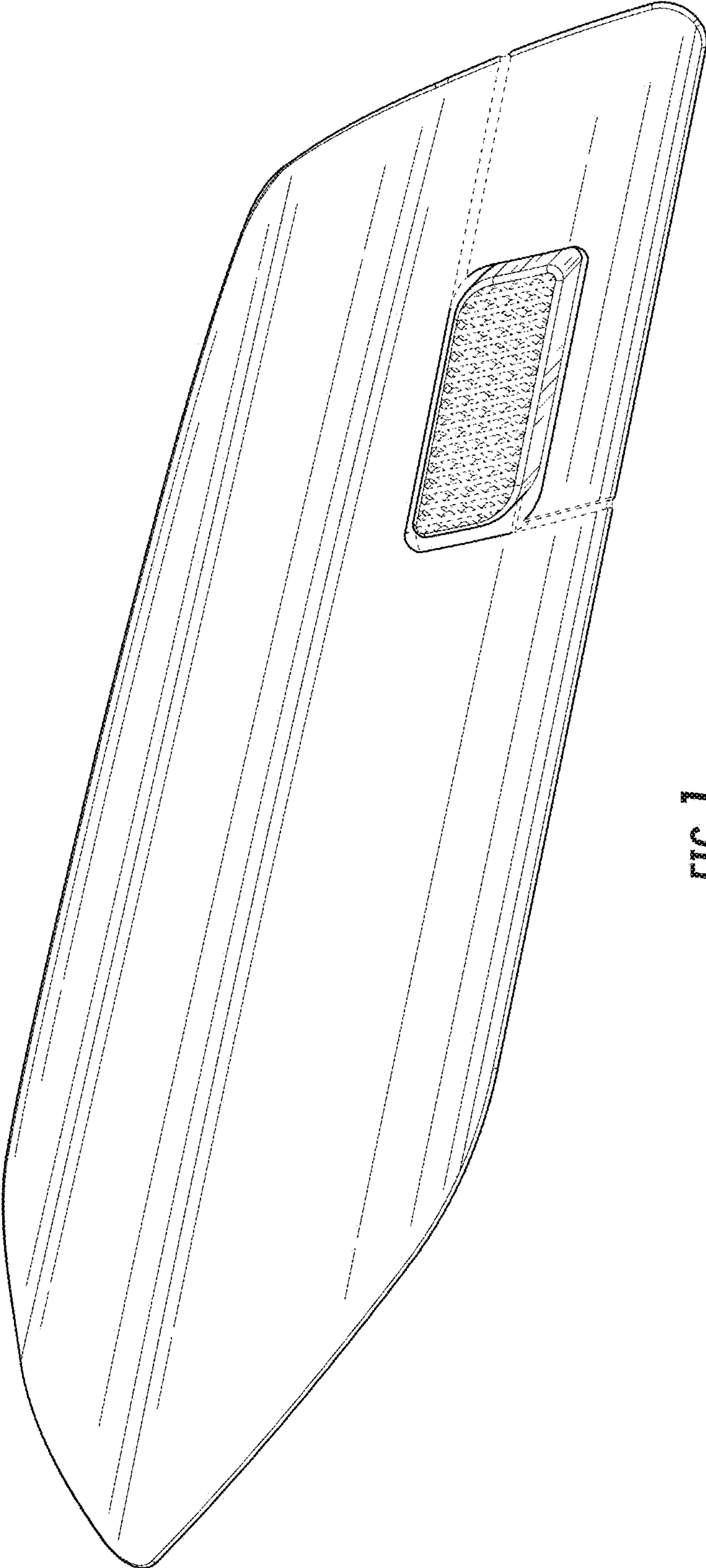


FIG. 1

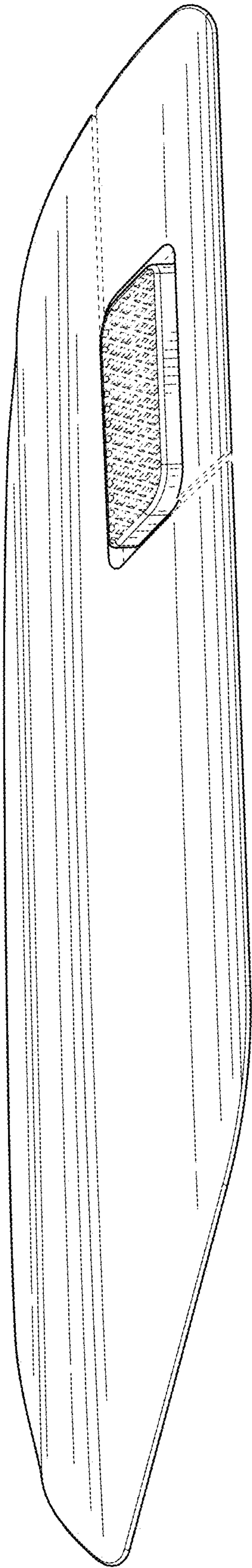


FIG. 2

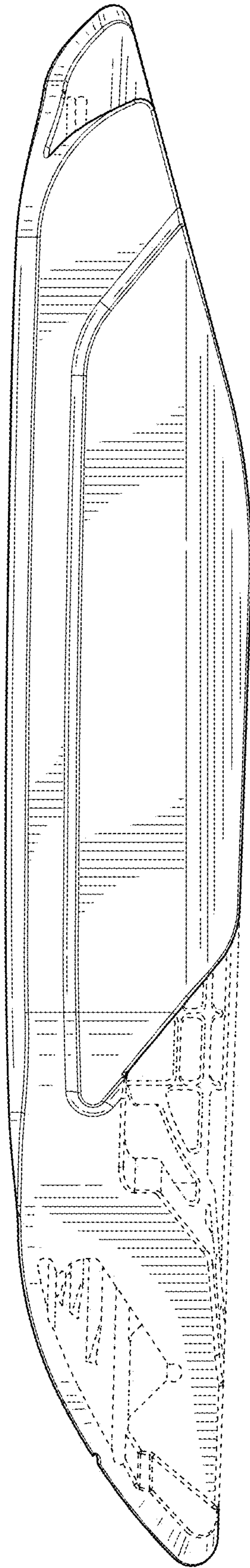


FIG. 3

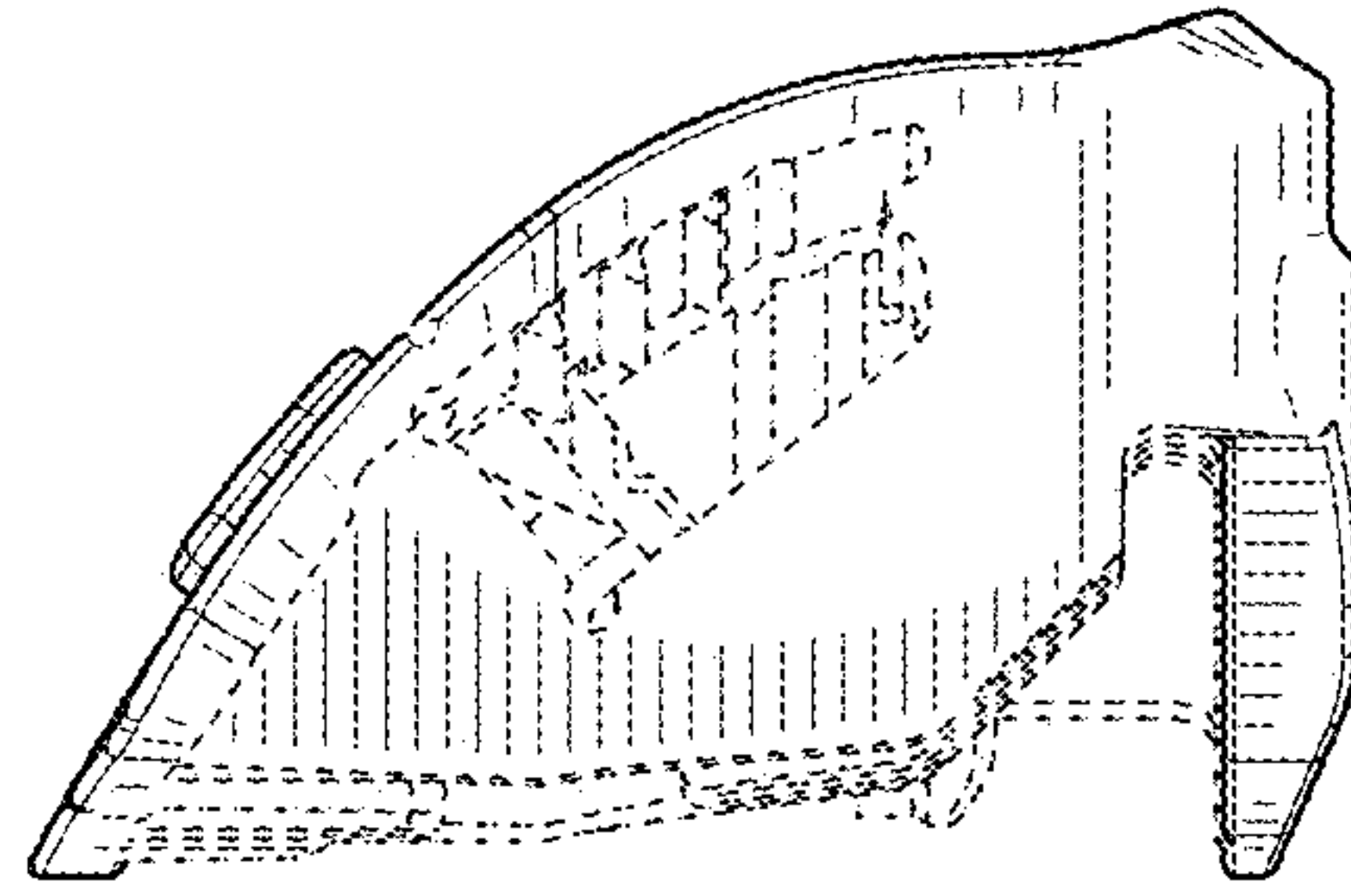


FIG. 4

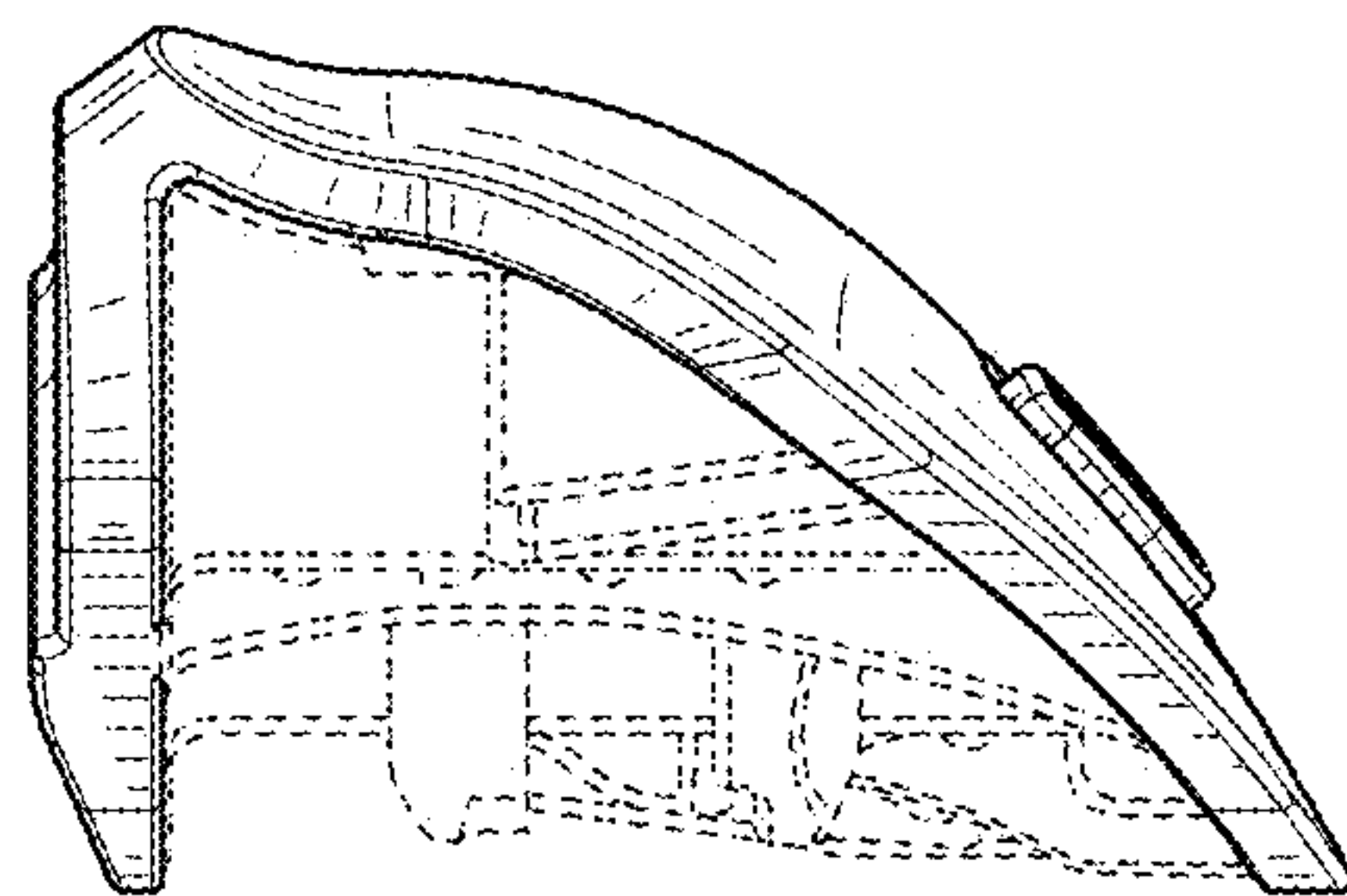


FIG. 5

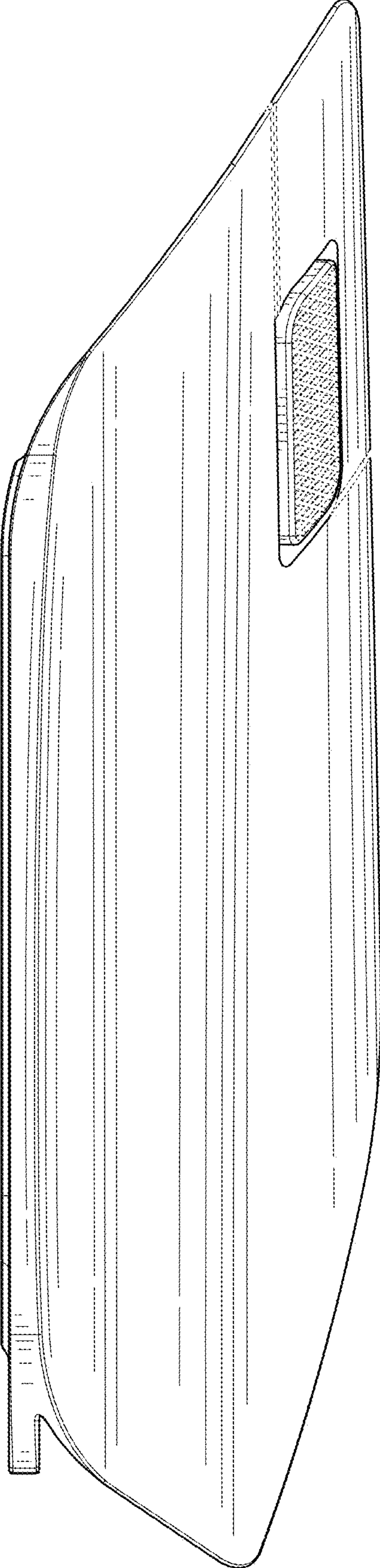


FIG. 6

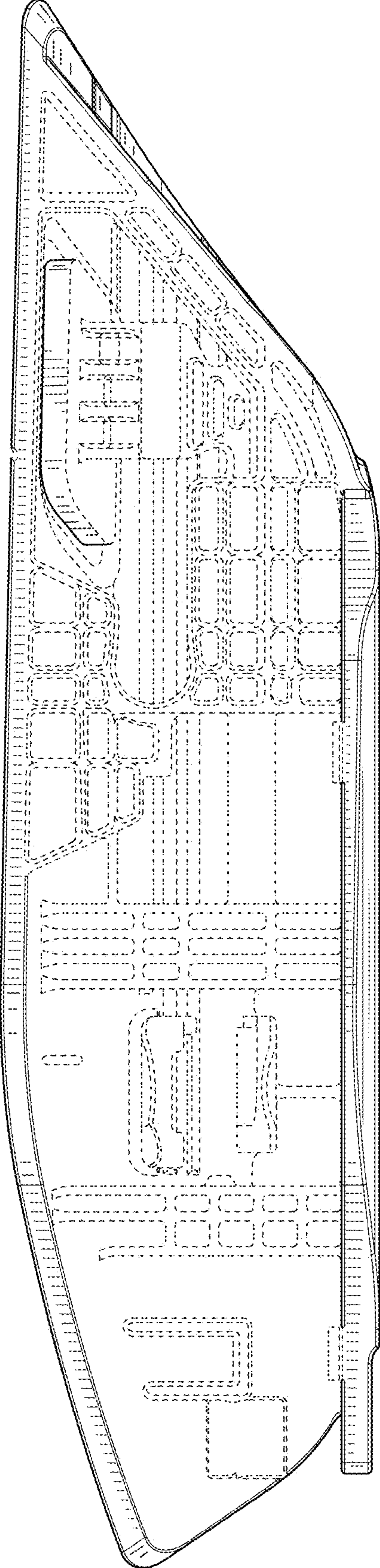


FIG. 7