



US00D875015S

(12) **United States Design Patent**
Shigihara

(10) **Patent No.:** **US D875,015 S**

(45) **Date of Patent:** **** Feb. 11, 2020**

- (54) **WHEEL FOR A MOTORCYCLE**
- (71) Applicant: **HONDA MOTOR CO., LTD.**, Tokyo (JP)
- (72) Inventor: **Takashi Shigihara**, Wako (JP)
- (73) Assignee: **HONDA MOTOR CO., LTD.**, Tokyo (JP)
- (**) Term: **15 Years**
- (21) Appl. No.: **29/671,629**
- (22) Filed: **Nov. 28, 2018**
- (30) **Foreign Application Priority Data**

May 31, 2018 (JP) 2018-011914

(51) **LOC (12) Cl.** **12-16**

(52) **U.S. Cl.**
USPC **D12/205**

(58) **Field of Classification Search**
USPC D12/204–213
CPC B60B 7/00; B60B 7/02; B60B 7/04; B60B 7/01; B60B 7/06; B60B 3/02; B60B 3/04; B60B 3/06; B60B 3/10; B60B 1/00; B60B 1/08; B60B 1/10; B60B 1/12
See application file for complete search history.

(56) **References Cited**

U.S. PATENT DOCUMENTS

D268,260 S *	3/1983	Kerschbaum	D12/205
D376,572 S *	12/1996	Pfeiffer	D12/209
D377,641 S *	1/1997	Niles	D12/211
D382,244 S *	8/1997	Niles	D12/211
D387,320 S *	12/1997	Niles	D12/211
D407,365 S *	3/1999	Nogal	D12/209
D508,884 S *	8/2005	Fridie	D12/209
D649,921 S *	12/2011	Lucaora	D12/209

D652,362 S *	1/2012	Lucaora	D12/209
D695,666 S *	12/2013	Chung	D12/209
D718,203 S *	11/2014	Whyte	D12/209
D726,621 S *	4/2015	Alfonso	D12/209
D741,774 S *	10/2015	Werwie, III	D12/205
D747,251 S *	1/2016	Hammoud	D12/209
D755,698 S *	5/2016	Tirado	D12/209
D759,561 S *	6/2016	Hale, Jr.	D12/209
D767,465 S *	9/2016	Liffick	D12/209
D784,892 S *	4/2017	Groth	D12/209
D792,317 S *	7/2017	Chung	D12/213
D823,774 S *	7/2018	Groth	D12/209
D824,833 S *	8/2018	Newmeister	D12/209
D830,274 S *	10/2018	Aslam	D12/213
D832,763 S *	11/2018	Han	D12/209
D842,204 S *	3/2019	Khachatryan	D12/209
D842,794 S *	3/2019	Khachatryan	D12/209
D859,262 S *	9/2019	De Jung	D12/209

(Continued)

Primary Examiner — Stacia A Cadmus

(74) *Attorney, Agent, or Firm* — Birch, Stewart, Kolasch & Birch, LLP

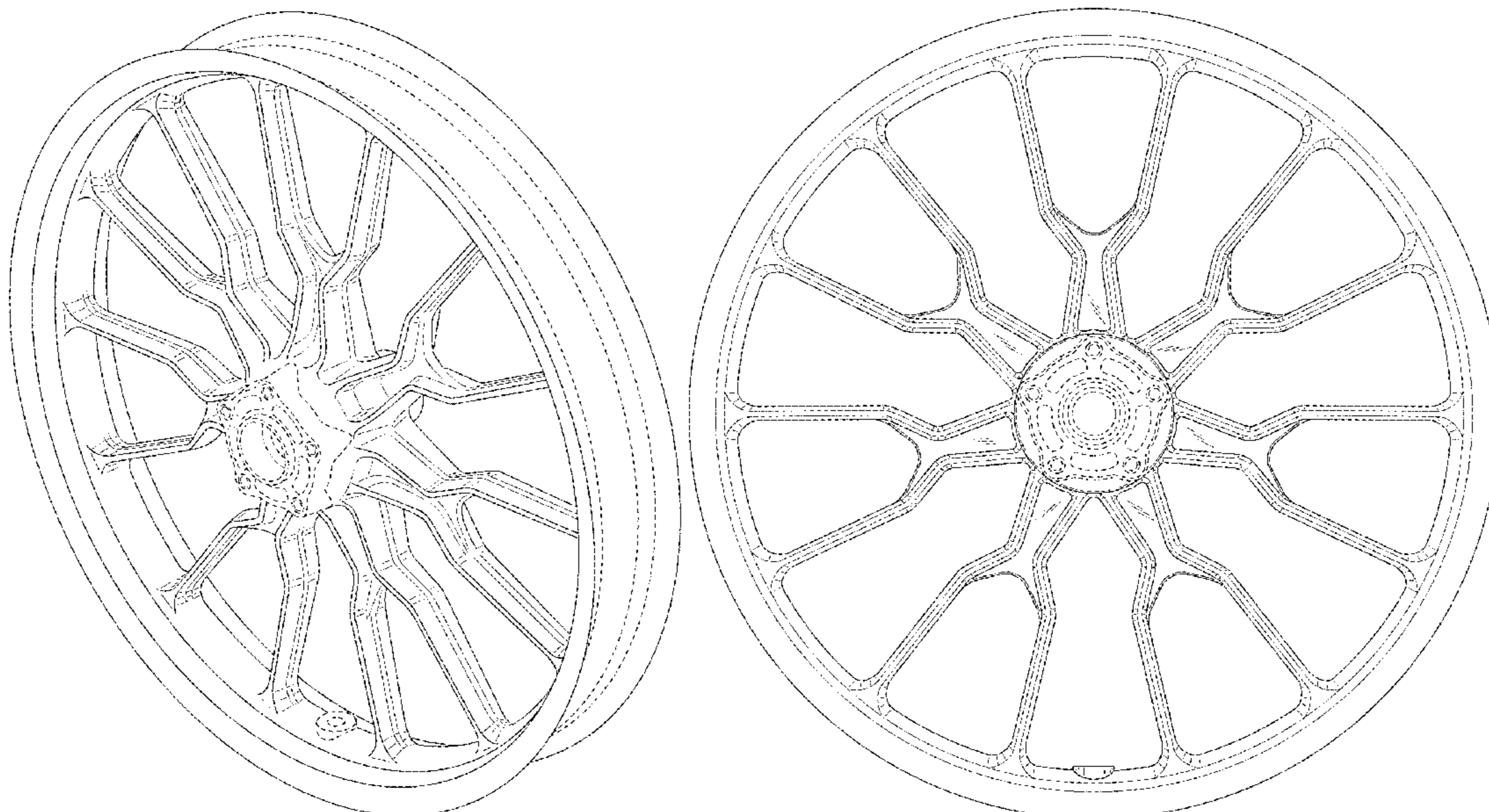
(57) **CLAIM**

The ornamental design for a wheel for a motorcycle, as shown and described.

DESCRIPTION

FIG. 1 is a front, right side perspective view of a wheel for a motorcycle showing my new design;
FIG. 2 is an enlarged partial front, right side perspective view thereof;
FIG. 3 is a rear, left side perspective view thereof;
FIG. 4 is a front view thereof;
FIG. 5 is a rear view thereof;
FIG. 6 is a front left side perspective view thereof; and,
FIG. 7 is a rear, right side perspective view thereof.
The portions shown in broken lines illustrate the environment of the design and form no part of the claimed design.

1 Claim, 7 Drawing Sheets



(56)

References Cited

U.S. PATENT DOCUMENTS

D860,100 S * 9/2019 Groth D12/209
D861,565 S * 10/2019 Khachatryan D12/209

* cited by examiner

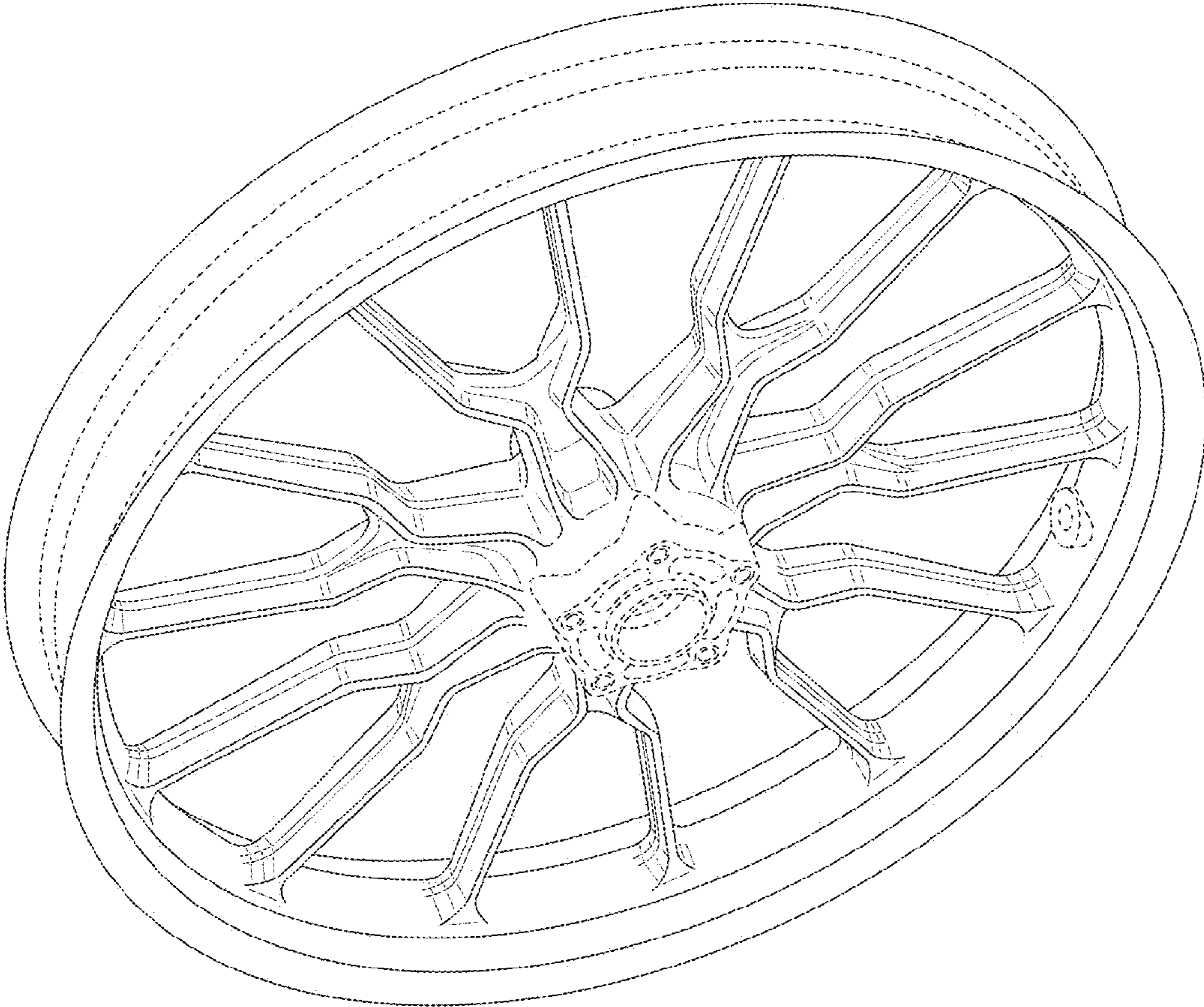


FIG.1

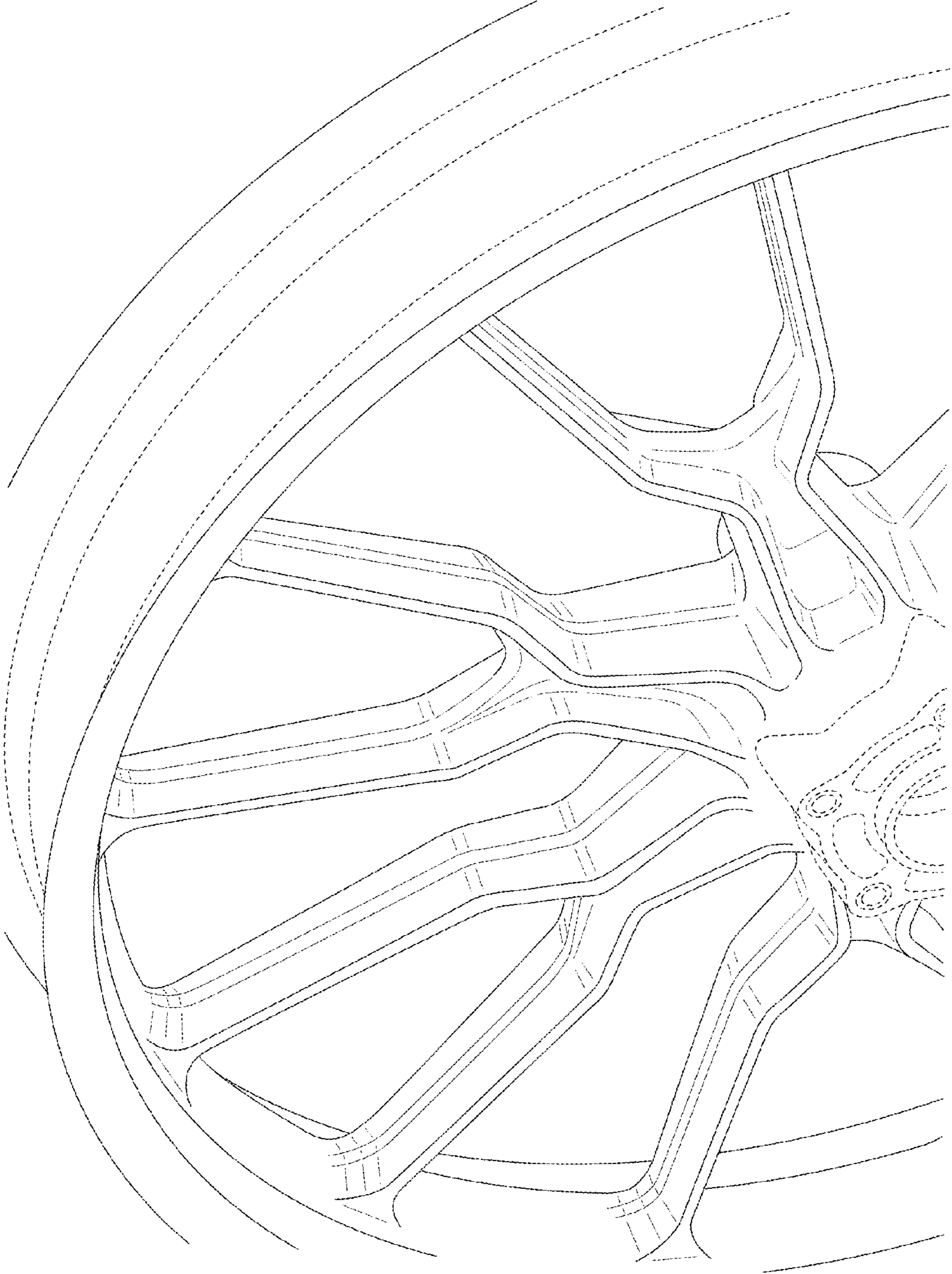


FIG.2

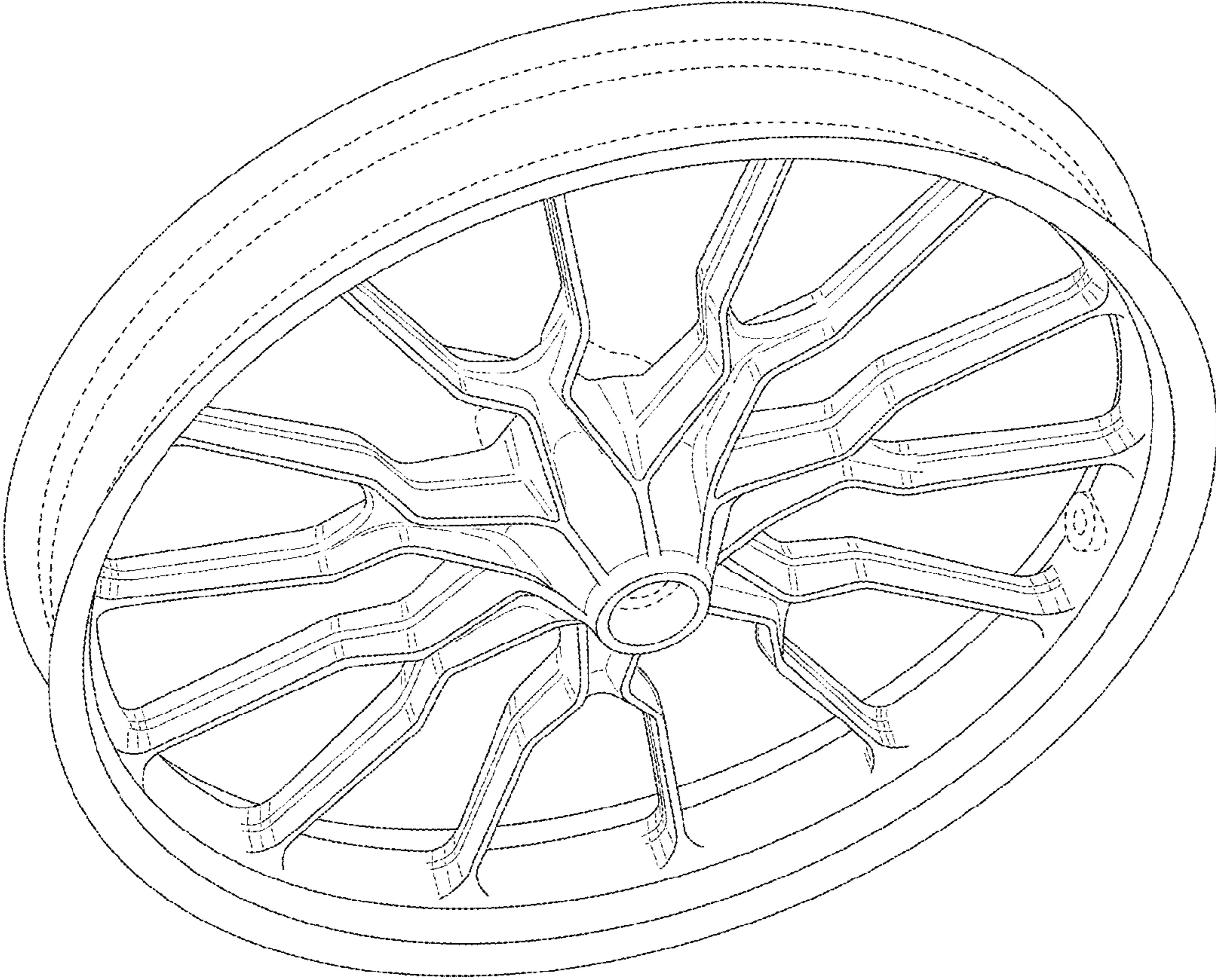


FIG.3

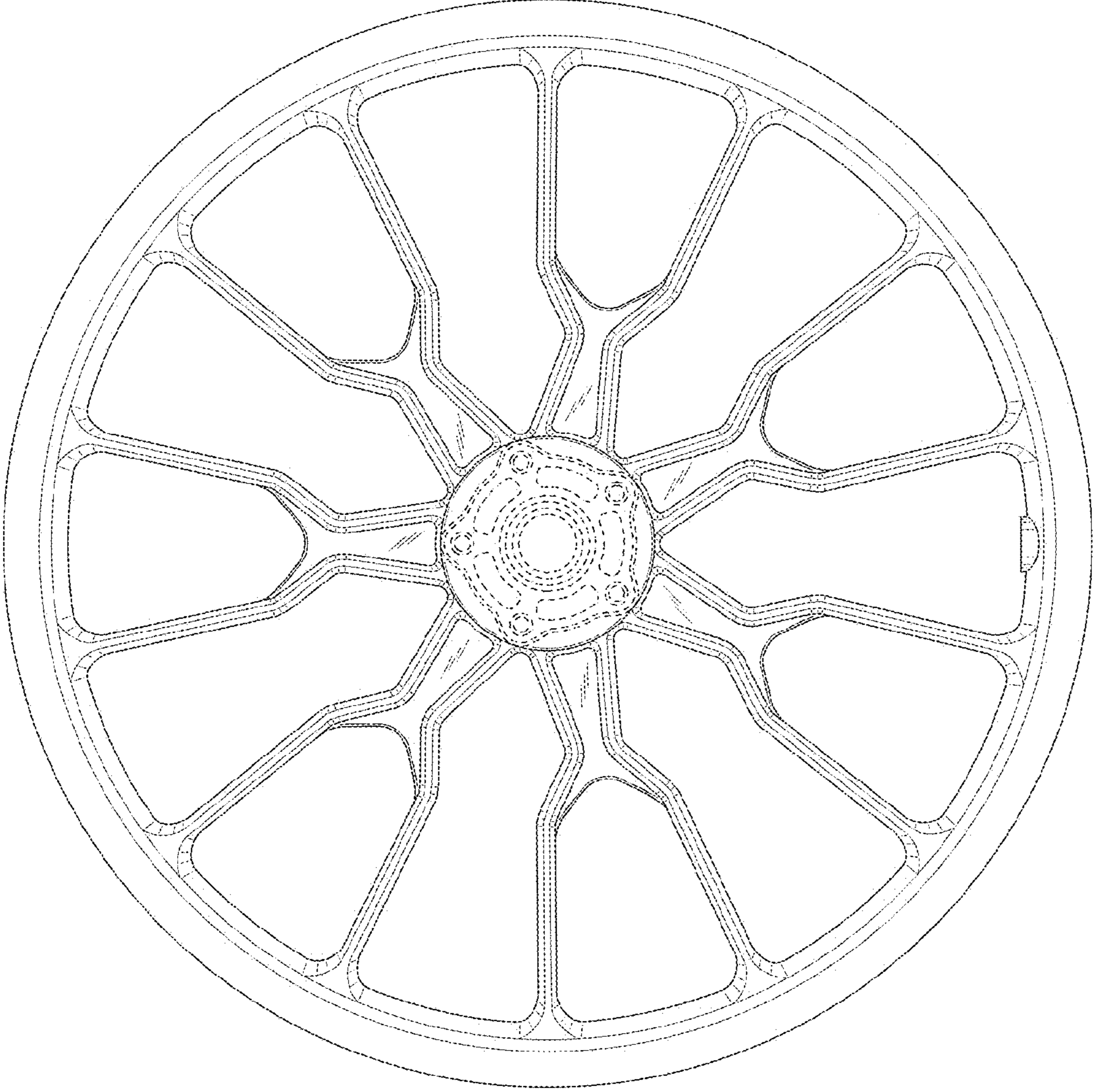


FIG.4

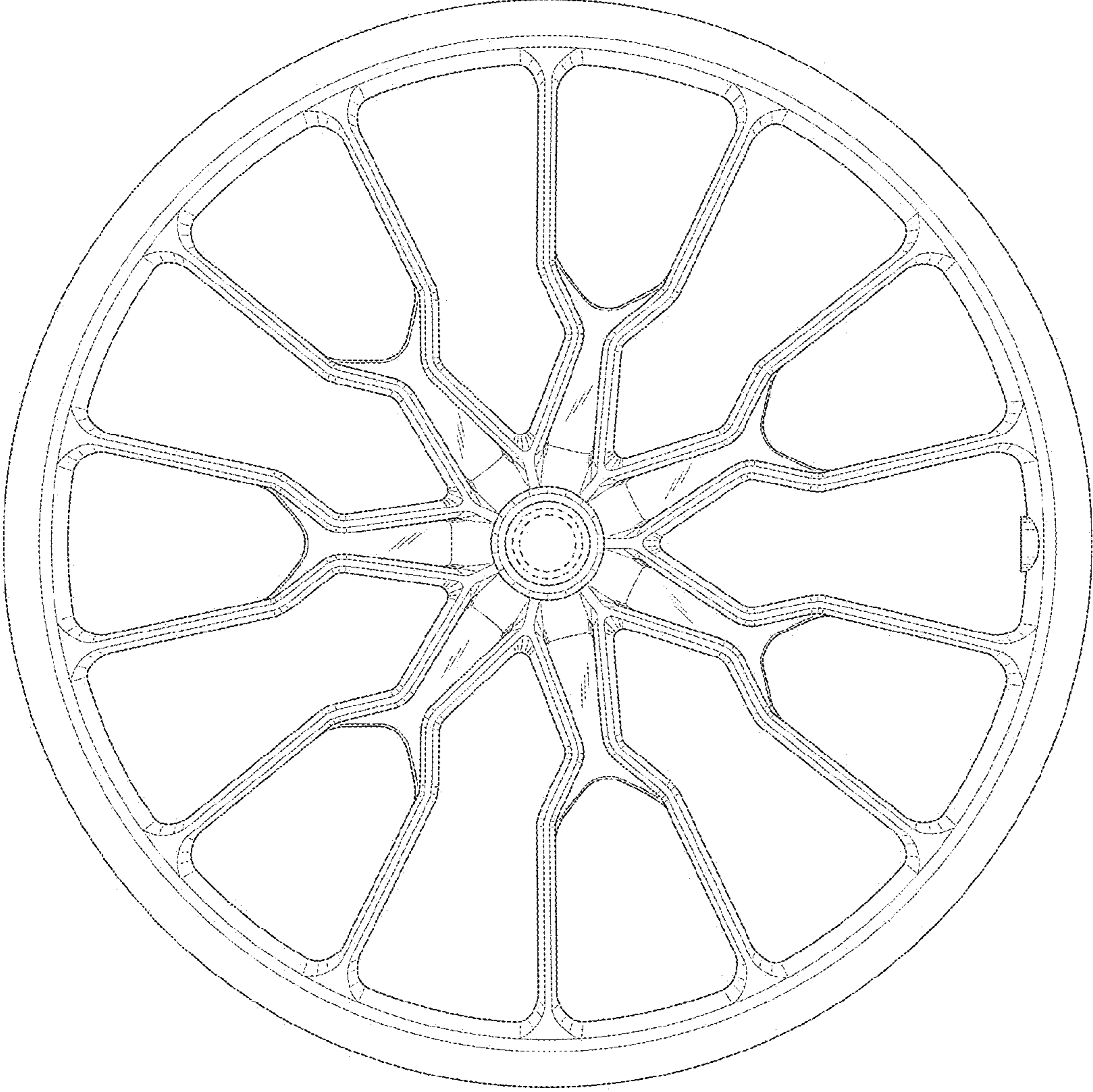


FIG.5

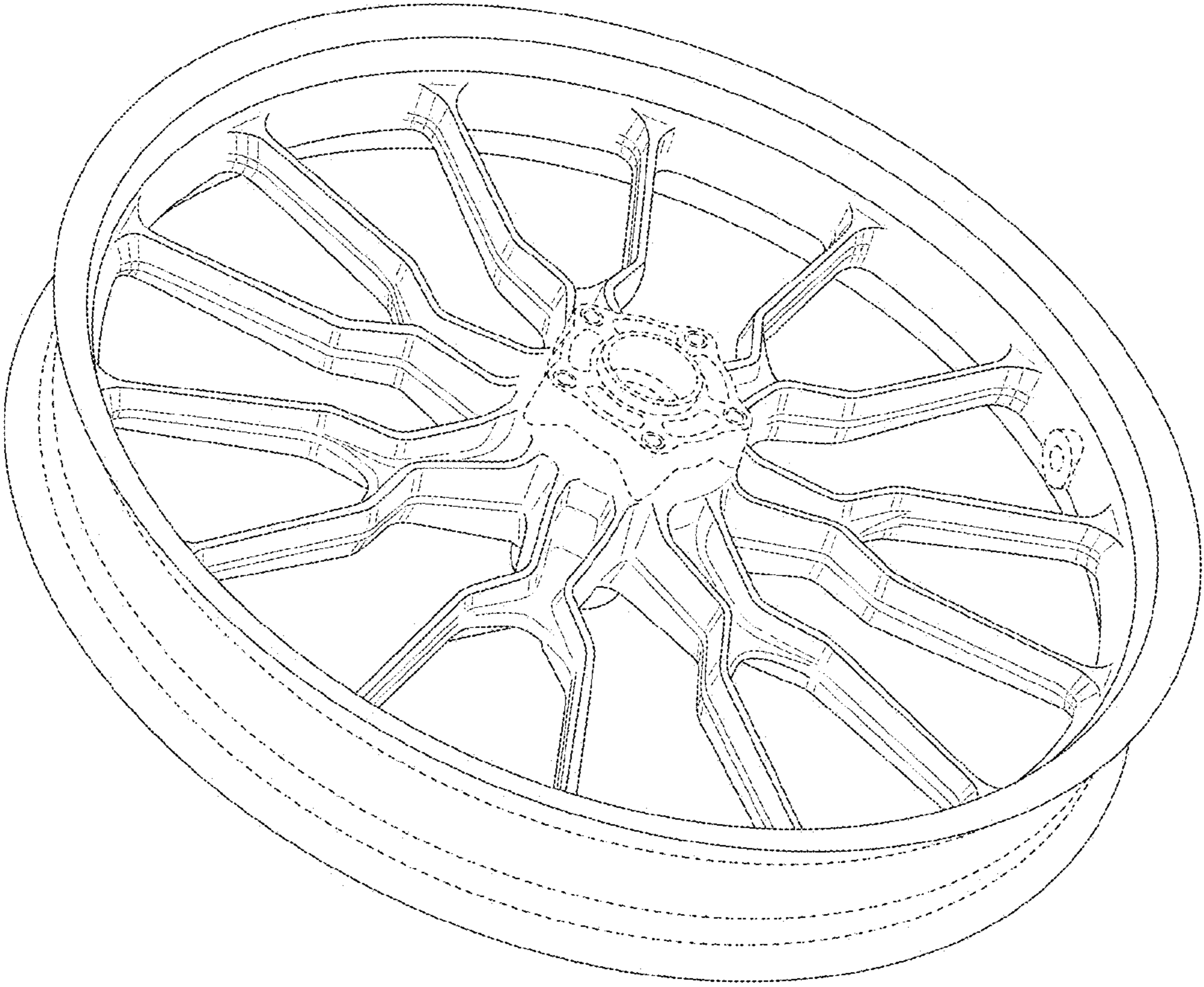


FIG.6

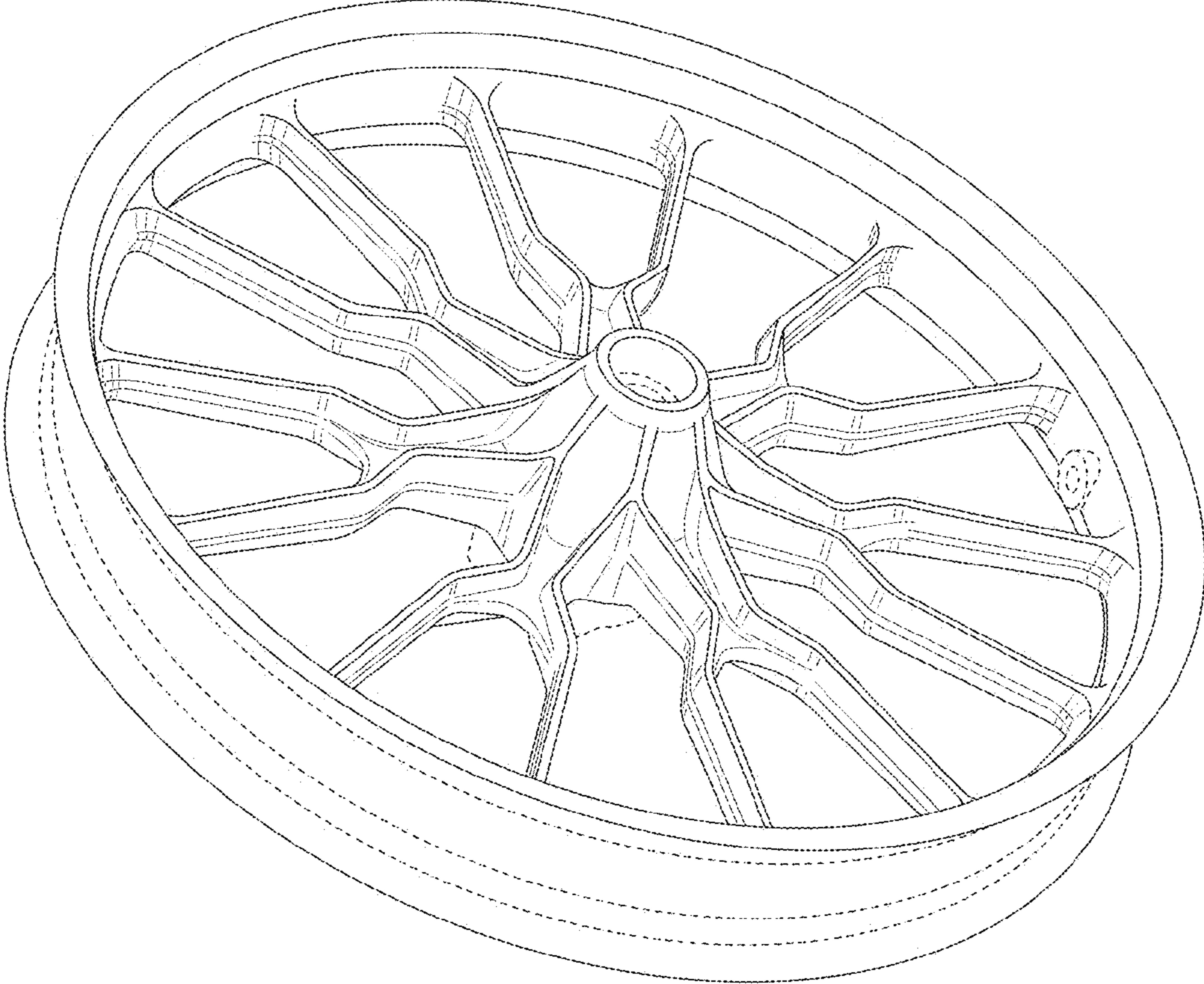


FIG.7