



US00D875014S

(12) **United States Design Patent** (10) **Patent No.:** **US D875,014 S**
Chen (45) **Date of Patent:** **** Feb. 11, 2020**

(54) **STEP FOR A TRUCK**
(71) Applicant: **Shu-Ling Chen**, Tainan (TW)
(72) Inventor: **Shu-Ling Chen**, Tainan (TW)
(**) Term: **15 Years**
(21) Appl. No.: **29/654,970**
(22) Filed: **Jun. 28, 2018**

D676,368 S * 2/2013 Cover D12/203
D714,703 S * 10/2014 Masanek, Jr. B60D 1/36
D12/203
D738,803 S * 9/2015 Zhu D12/203
D747,673 S * 1/2016 Wang D12/203
D788,669 S * 6/2017 Guo D12/203
D813,135 S * 3/2018 Baeza D12/203
D817,838 S * 5/2018 Dionisopoulos D12/203
D818,924 S * 5/2018 Baeza D12/203
2005/0067741 A1 * 3/2005 Chapman B29C 49/20
264/516

* cited by examiner

Related U.S. Application Data

(63) Continuation-in-part of application No. 29/598,883,
filed on Mar. 29, 2017, now abandoned.
(51) **LOC (12) Cl.** **12-16**
(52) **U.S. Cl.**
USPC **D12/203**
(58) **Field of Classification Search**
USPC D12/203, 89, 98, 314, 162, 190, 196
CPC .. B60R 3/002; B60R 3/02; B60R 3/00; B60R
3/005; B60R 3/007
See application file for complete search history.

Primary Examiner — Michelle E. Wilson
Assistant Examiner — Clese Moore, Jr.
(74) *Attorney, Agent, or Firm* — J.C. Patents

(57) **CLAIM**

The ornamental design for a step for a truck, as shown and described.

DESCRIPTION

FIG. 1 is a left-front perspective view of a step for a truck;
FIG. 2 is a front view thereof;
FIG. 3 is a rear view thereof;
FIG. 4 is a left side view thereof;
FIG. 5 is a right side view thereof;
FIG. 6 is a top view thereof;
FIG. 7 is a bottom view thereof; and,
FIG. 8 is a cross sectional view through the line 8-8 in FIG.
6 thereof.

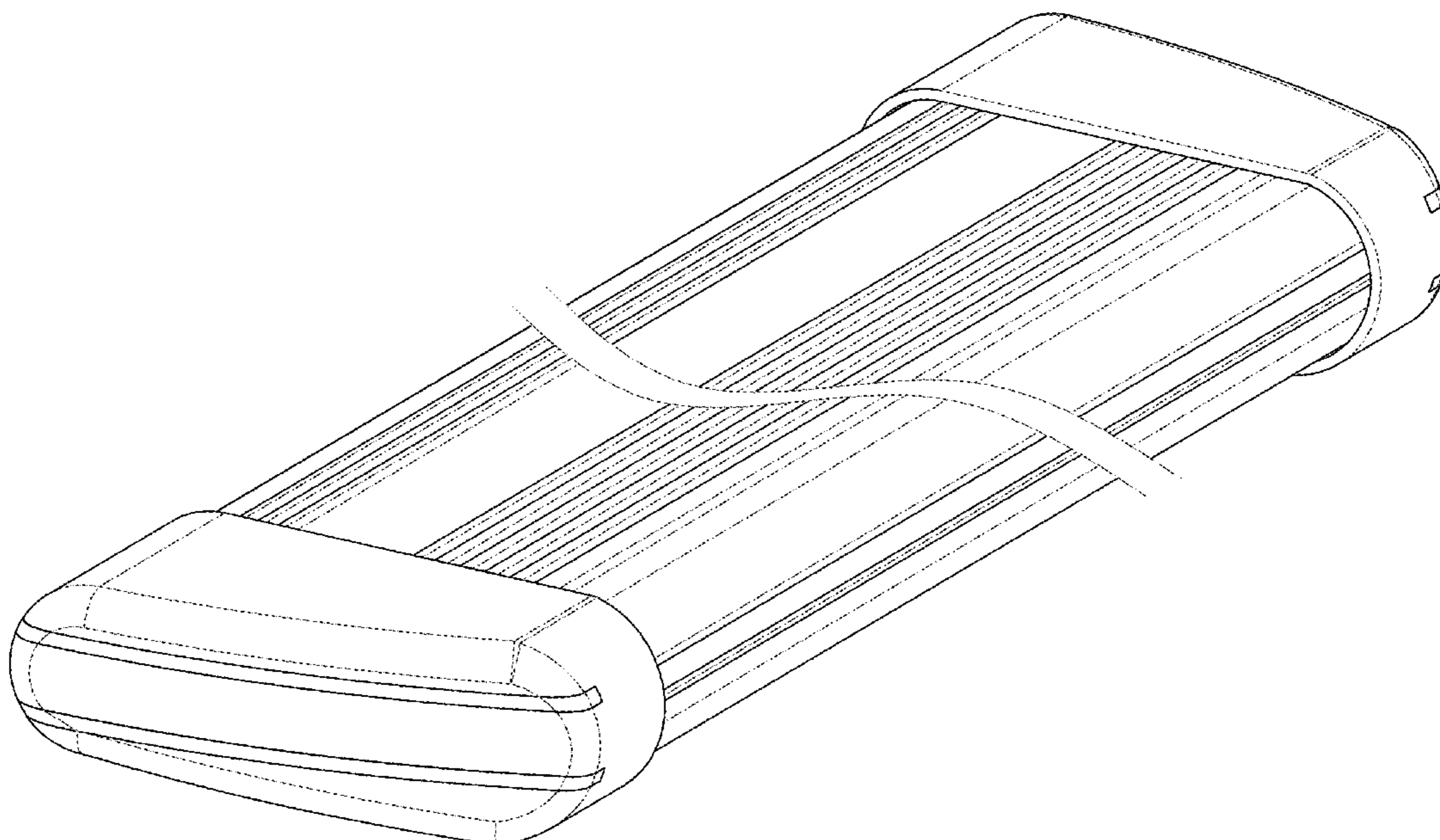
The step for a truck is shown with a symbolic break in its length. The appearance of any portion of the article between the break lines forms no part of the claimed design. The broken lines shown in FIG. 7 and FIG. 8 illustrate the inner structure of the step that forms no part of the claimed design.

1 Claim, 6 Drawing Sheets

(56) **References Cited**

U.S. PATENT DOCUMENTS

D349,678 S * 8/1994 Waddington D12/203
D349,679 S * 8/1994 Waddington D12/203
D351,128 S * 10/1994 Waddington D12/203
D434,711 S * 12/2000 McQuiston D12/203
D436,336 S * 1/2001 Sadr D12/203
D497,338 S * 10/2004 Metros D12/203
D514,492 S * 2/2006 Metros D12/203
D535,928 S * 1/2007 Crandall D12/203
D568,221 S * 5/2008 Cord D12/203
D595,630 S * 7/2009 McPherson D12/203
D596,097 S * 7/2009 Huang-Tsai D12/203
D632,627 S * 2/2011 Huang-Tsai D12/203
D656,873 S * 4/2012 Barnhart D12/203



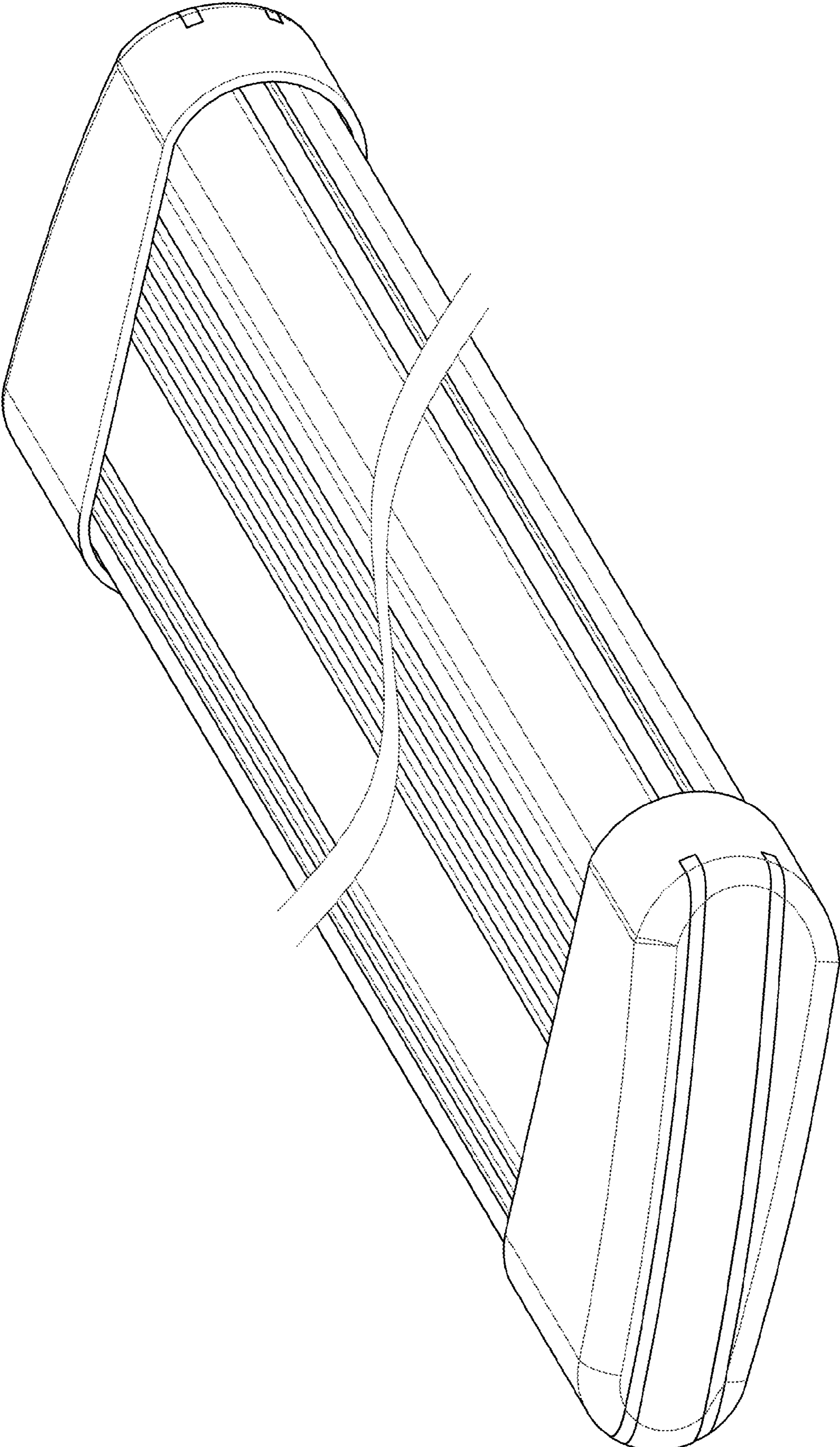


FIG 1

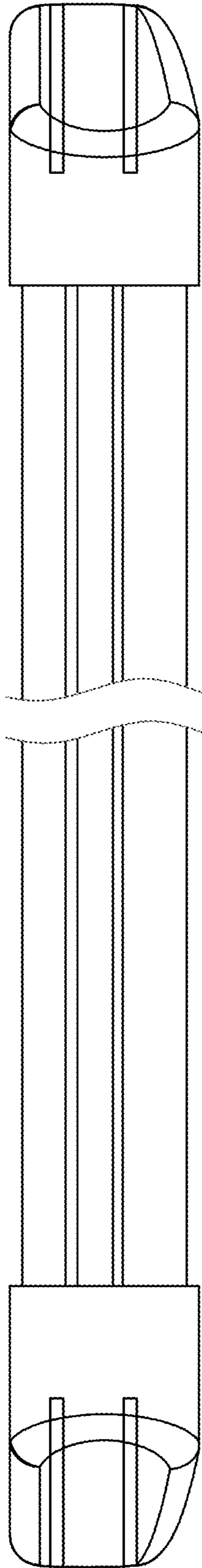


FIG 2

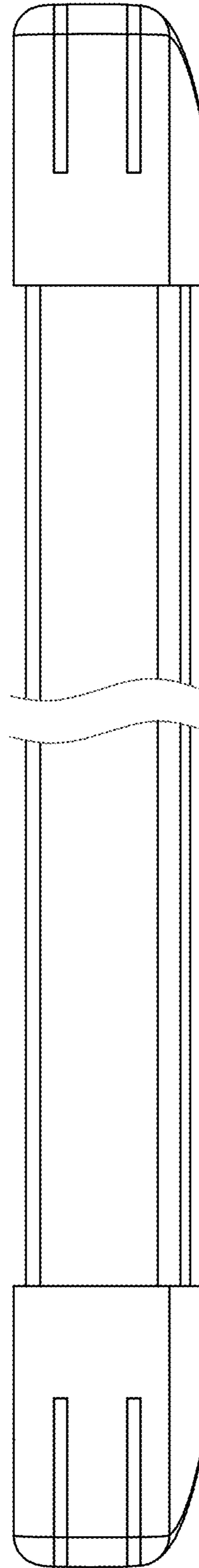


FIG 3

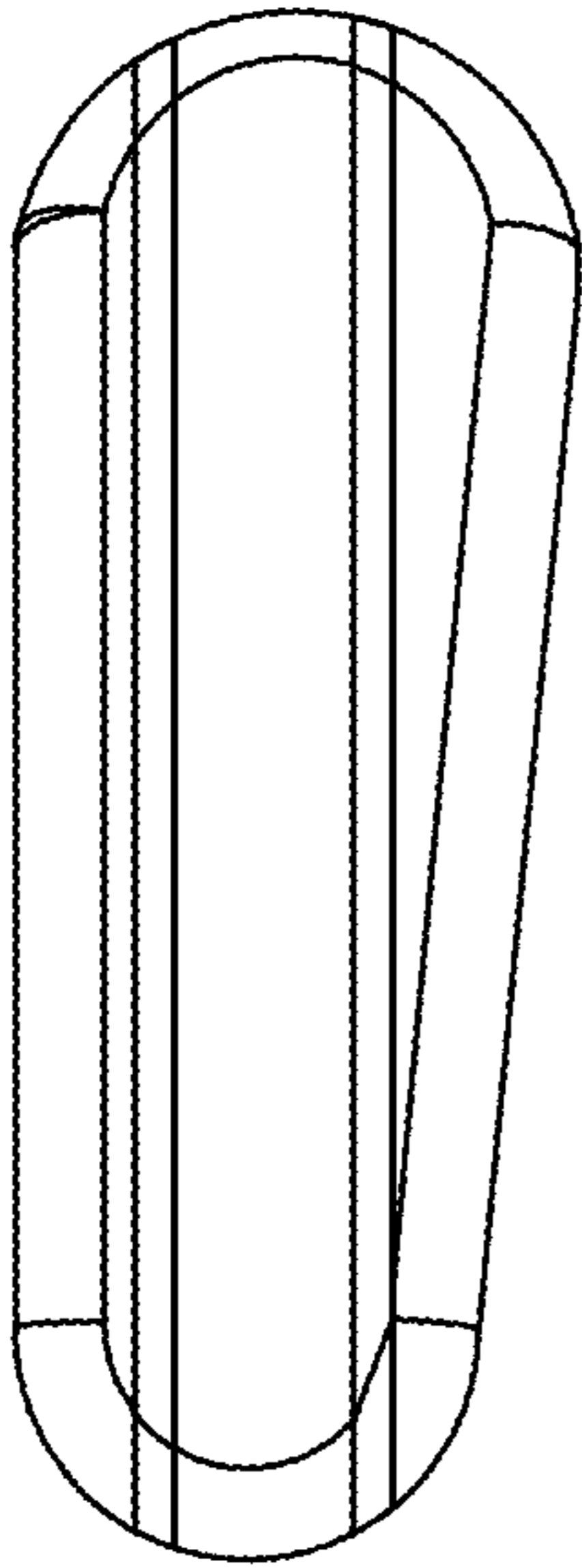


FIG 4

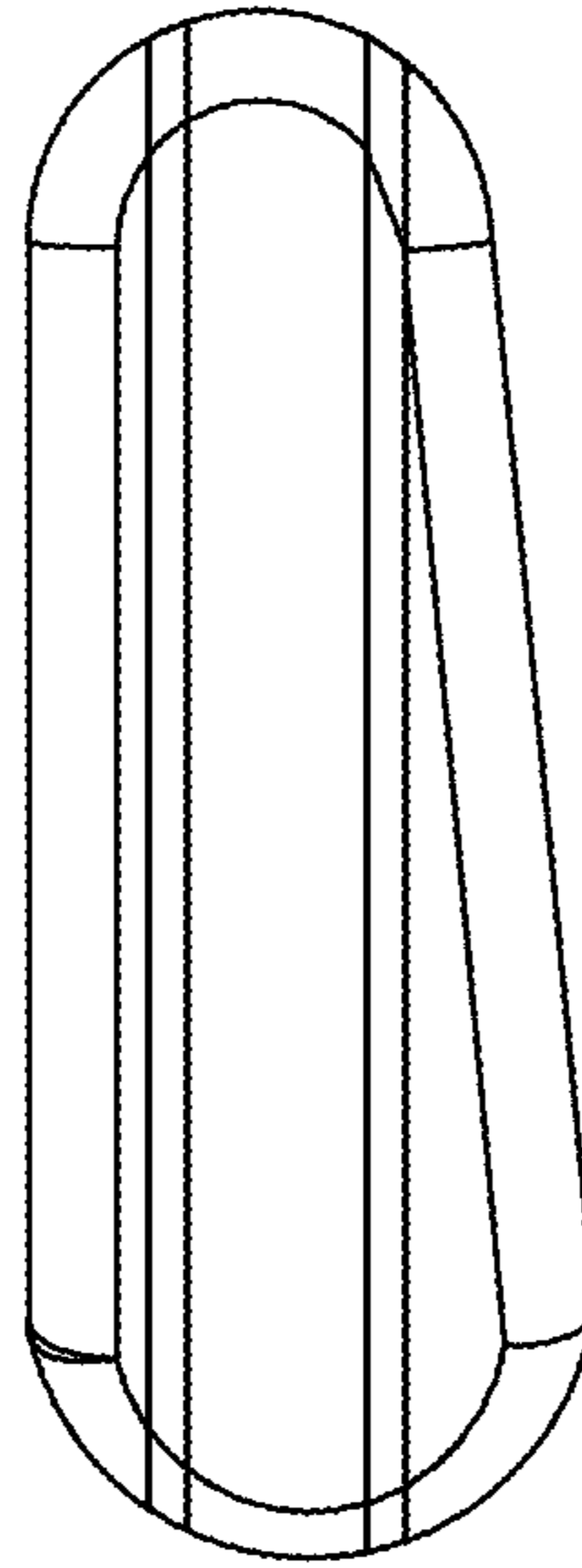


FIG 5

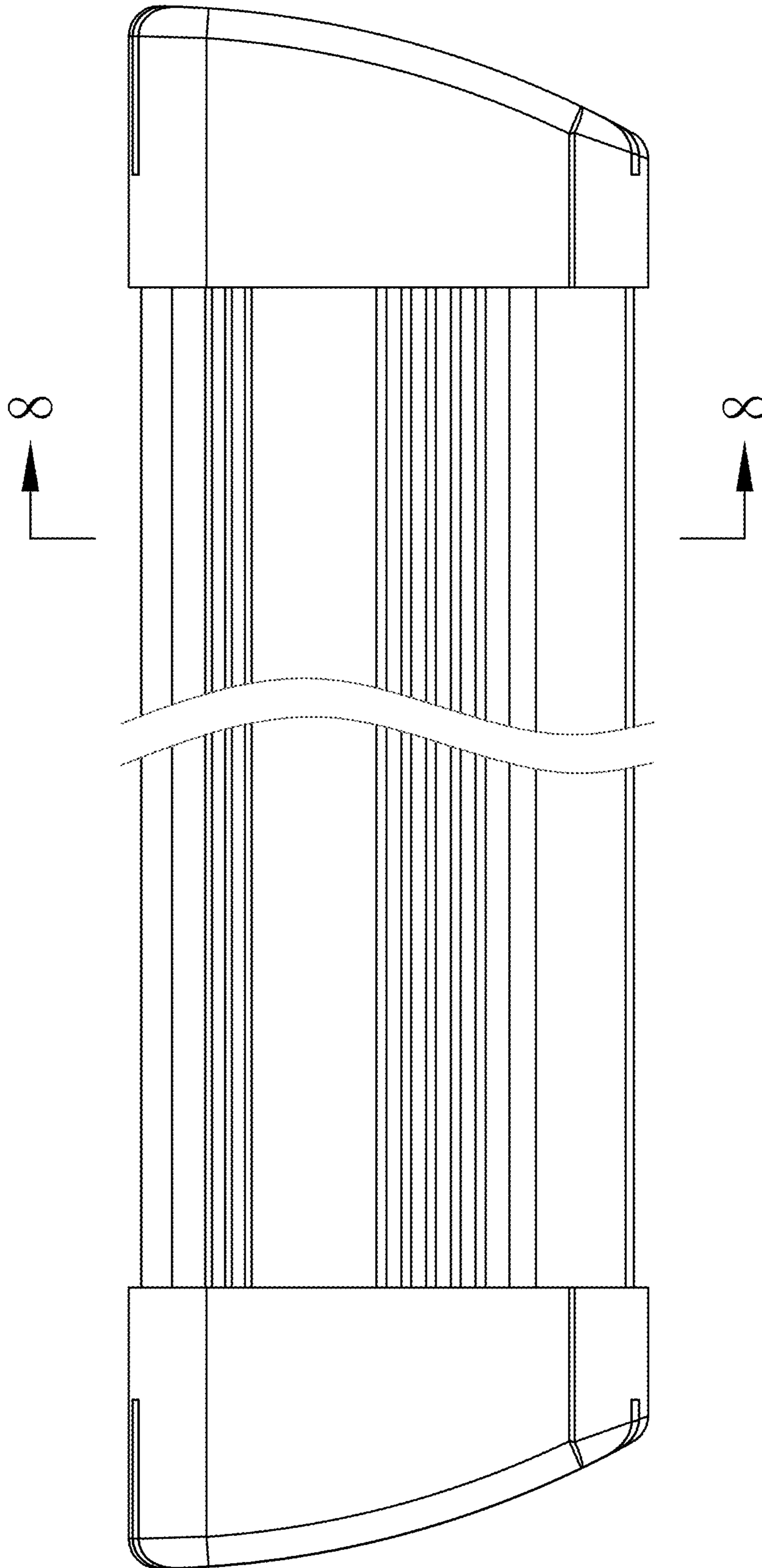


FIG 6

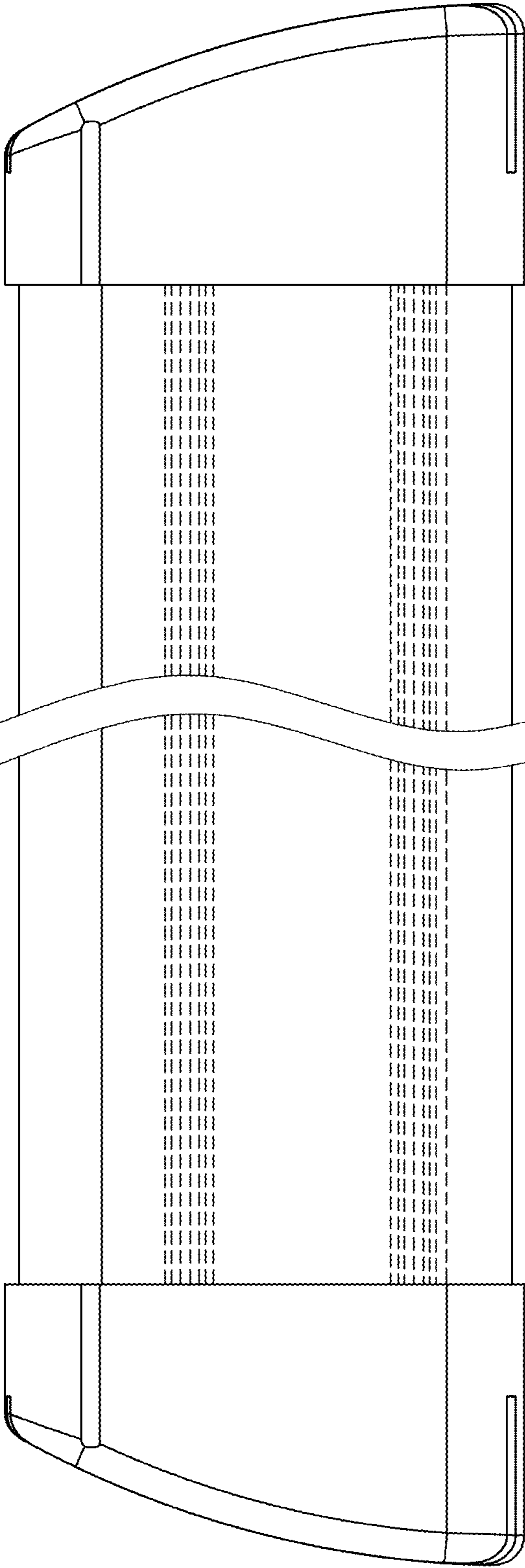


FIG 7

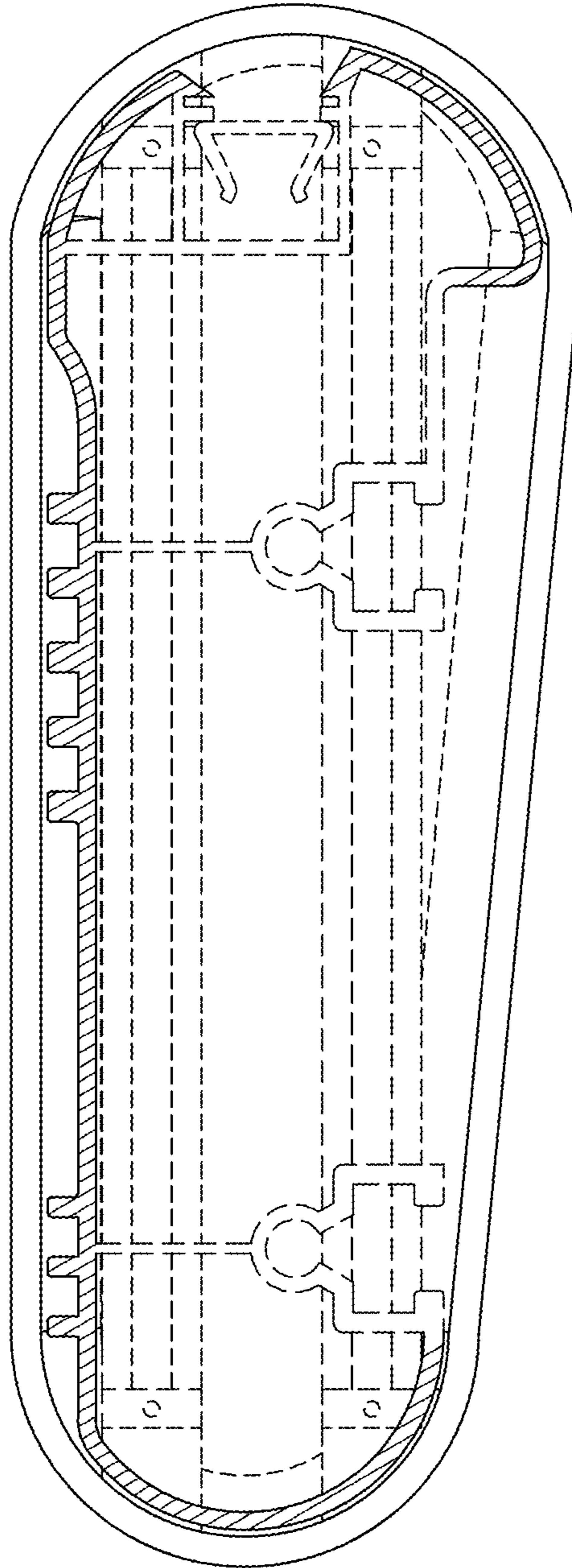


FIG 8