



US00D875010S

(12) **United States Design Patent** (10) **Patent No.:** **US D875,010 S**
Akrapovic et al. (45) **Date of Patent:** **** Feb. 11, 2020**

(54) **MUFFLER FOR MOTORS**
(71) Applicant: **Igor Akrapovic**, Ljubljana (SI)
(72) Inventors: **Igor Akrapovic**, Ljubljana (SI); **Ermin Kosovel**, Zgornje Gorje (SI); **Igor Merhar**, Dolenja vas (SI); **Primož Toplikar**, Tolmin (SI); **Luka Zagar**, Ljubljana (SI)
(**) Term: **15 Years**

D573,521 S * 7/2008 Hsu D12/194
D589,422 S * 3/2009 Davis, Jr. D12/194
D597,915 S * 8/2009 Bhambra D12/194
D804,381 S * 12/2017 Akrapovic F01N 1/10
D12/194
D804,382 S * 12/2017 Akrapovic D12/194
D804,383 S * 12/2017 Akrapovic D12/194
D816,570 S * 5/2018 Akrapovic F01N 13/20
D12/194
D836,514 S * 12/2018 Akrapovic D12/194
D837,119 S * 1/2019 Akrapovic D12/194
2004/0089500 A1 * 5/2004 Lewis F01N 1/10
181/249

(21) Appl. No.: **35/505,643**
(22) Filed: **Apr. 25, 2018**
(80) **Hague Agreement Data**
Int. Filing Date: **Apr. 25, 2018**
Int. Reg. No.: **DM/102596**
Int. Reg. Date: **Apr. 25, 2018**
Int. Reg. Pub. Date: **Sep. 14, 2018**

(30) **Foreign Application Priority Data**
Nov. 3, 2017 (EM) 004493435-0001
(51) **LOC (12) Cl.** **12-16**
(52) **U.S. Cl.**
USPC **D12/194**
(58) **Field of Classification Search**
USPC D23/205, 209, 323, 330; D15/5;
D12/194
CPC ... F01N 1/00; F01N 1/003; F01N 1/02; F01N
1/04; F01N 1/10; F01N 1/24; F01N
13/08; F01N 13/082; F01N 13/085; F01N
13/087
See application file for complete search history.

(56) **References Cited**
U.S. PATENT DOCUMENTS
D550,134 S * 9/2007 Akrapovic D12/194
D573,520 S * 7/2008 Kouchi D12/194

(Continued)

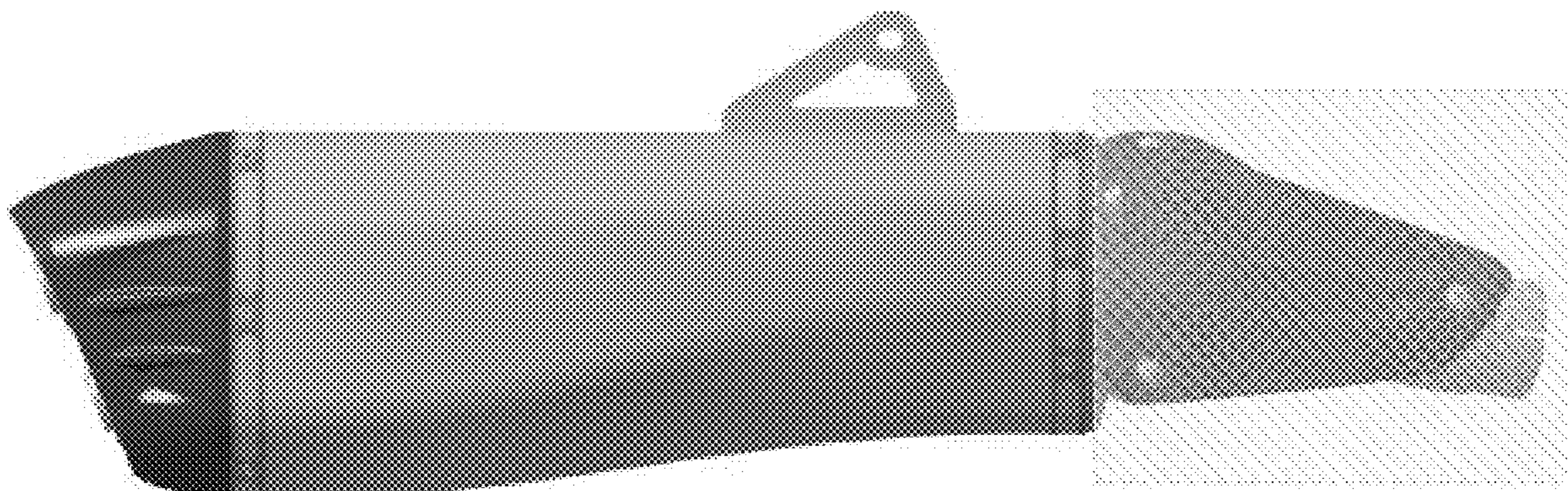
Primary Examiner — George D. Kirschbaum
Assistant Examiner — Joseph J Kukella
(74) *Attorney, Agent, or Firm* — Olson & Cepuritis, Ltd.;
William P. Oberhardt; Anita M. Cepuritis

(57) **CLAIM**
The ornamental design for a muffler for motors, as shown and described.

DESCRIPTION

The patent or application file contains at least one drawing executed in color. Copies of this patent or patent application publication with color drawing(s) will be provided by the Office upon request and payment of the necessary fee.
1. Muffler for motors
1.1 : Perspective
1.2 : Perspective
1.3 : Right
1.4 : Left
1.5 : Front
1.6 : Back
1.7 : Top
1.8 : Perspective
1.9 : Bottom
The portion of the drawing within the yellow shading is for environmental purposes and forms no part of the claimed design.

1 Claim, 9 Drawing Sheets
(9 of 9 Drawing Sheet(s) Filed in Color)



(56)

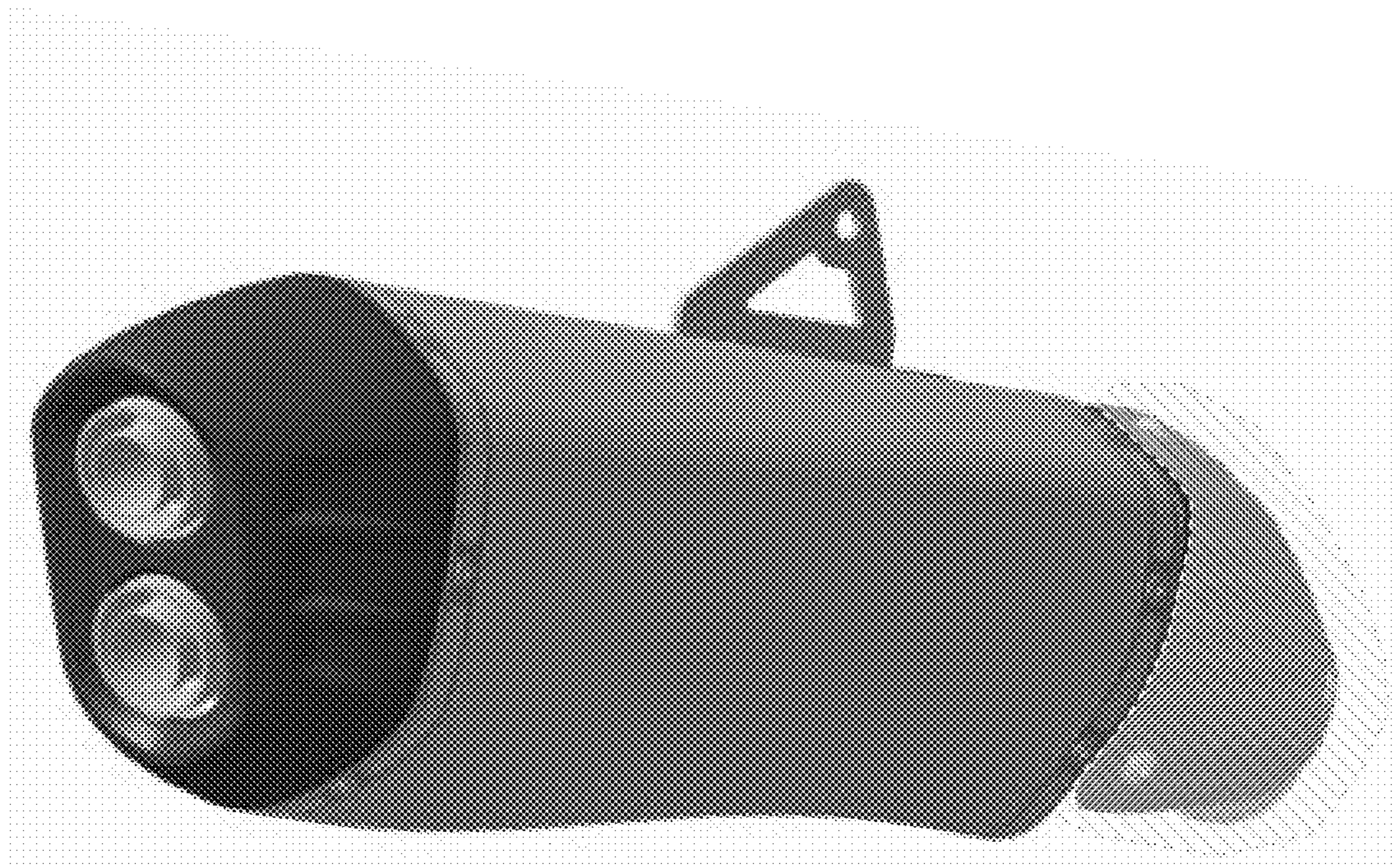
References Cited

U.S. PATENT DOCUMENTS

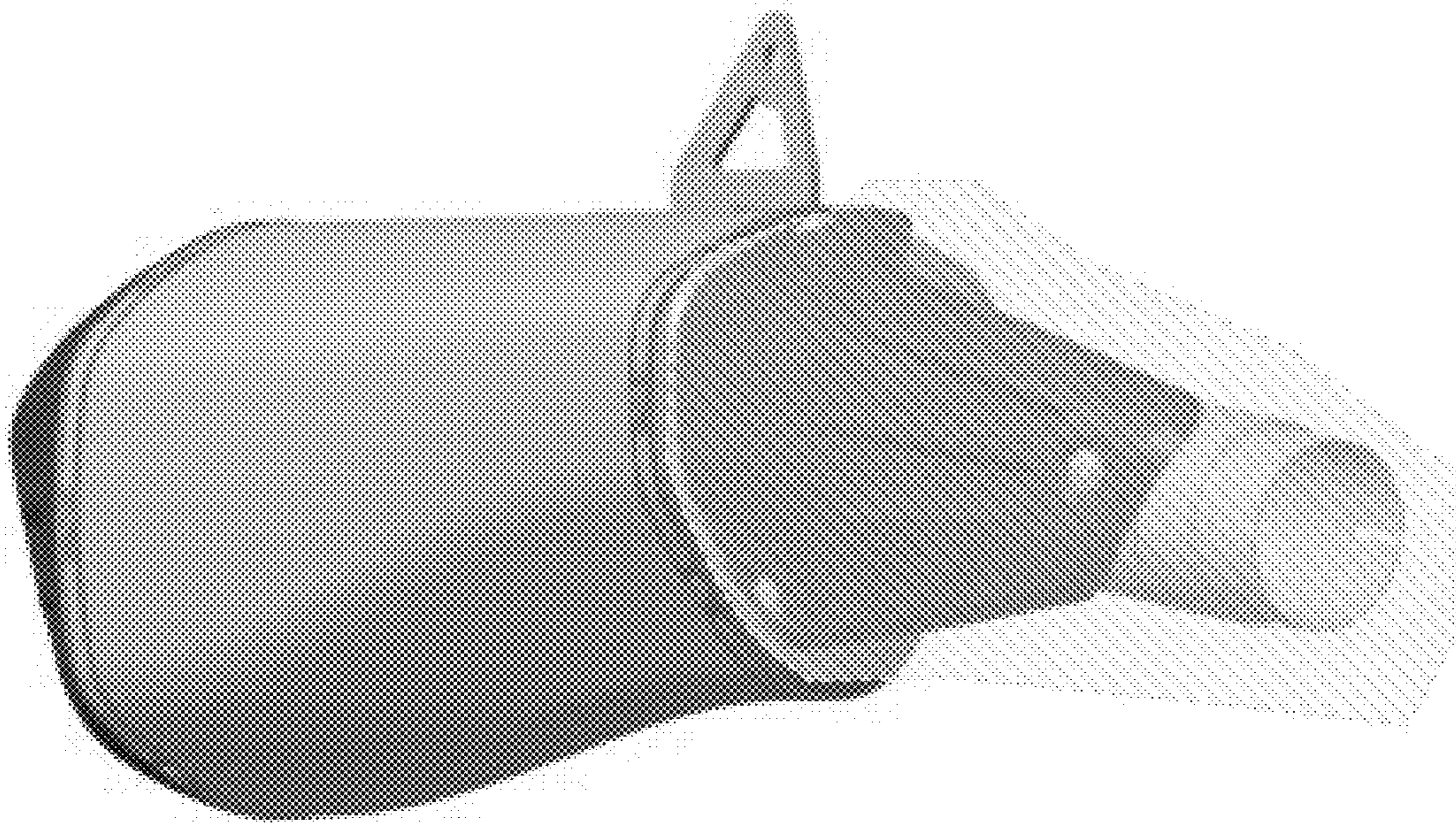
2008/0121456 A1* 5/2008 Davis F01N 13/20
180/309

* cited by examiner

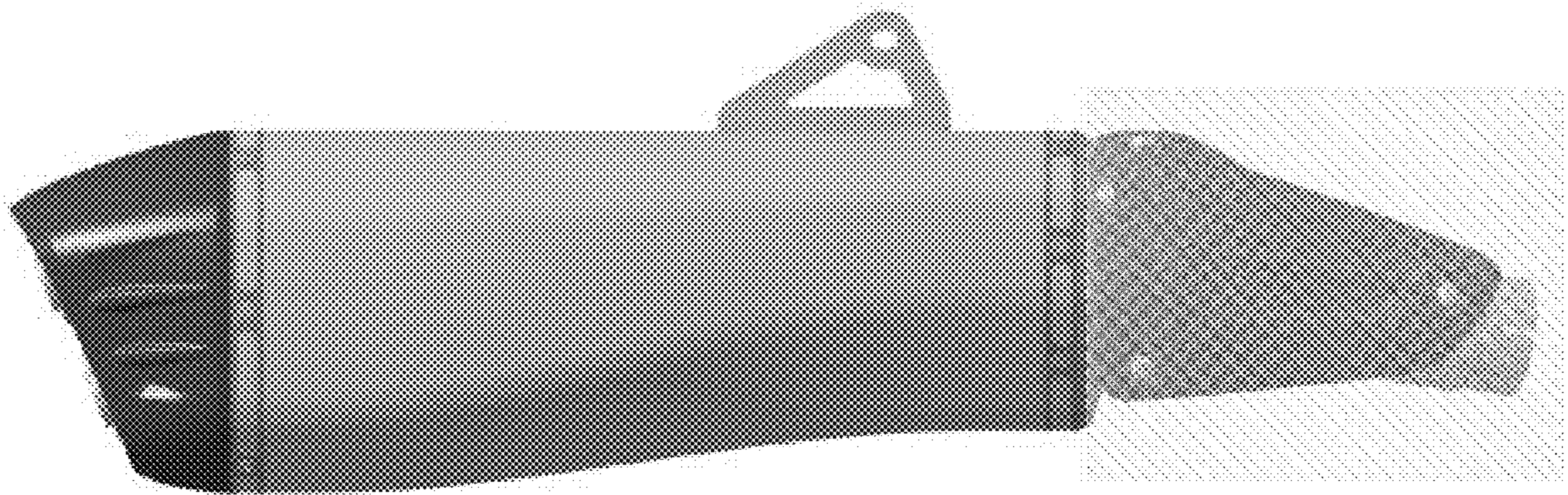
1.1



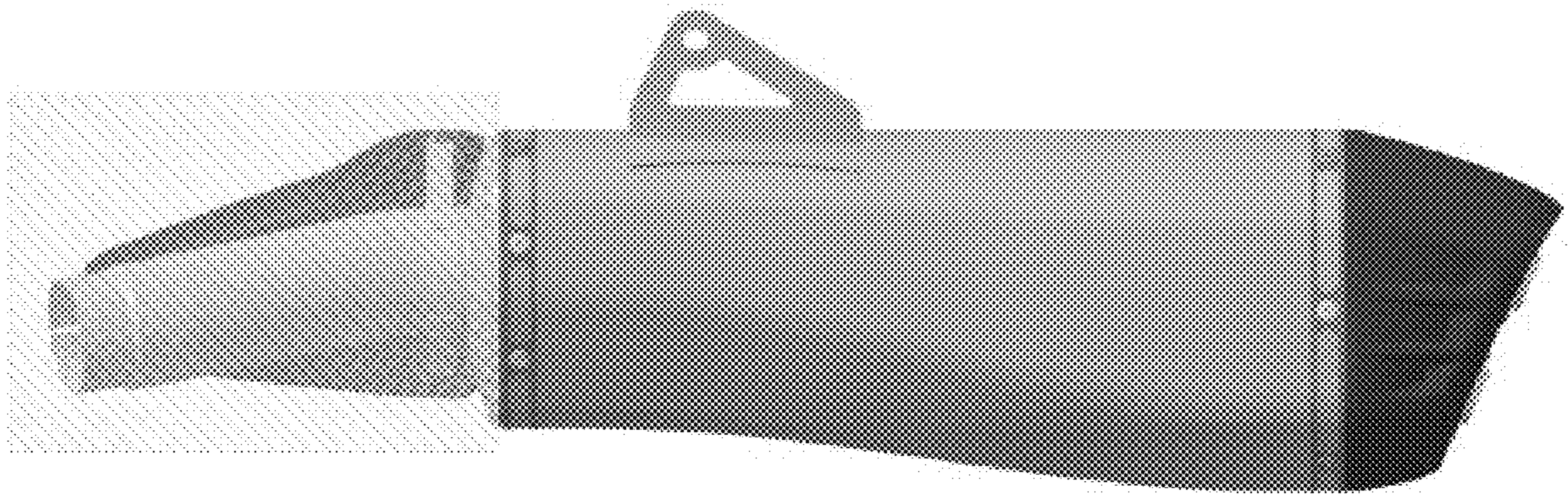
1.2



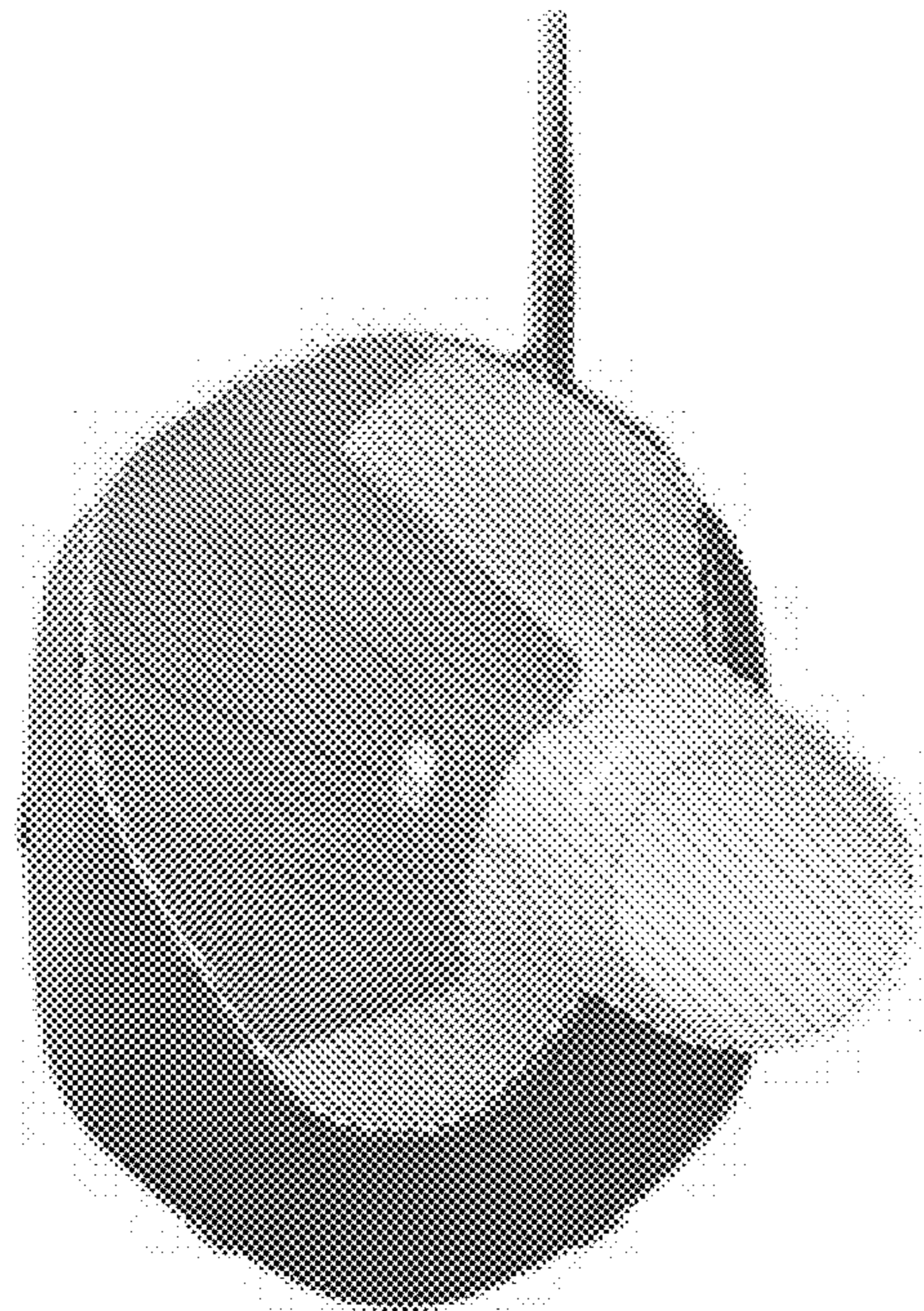
1.3



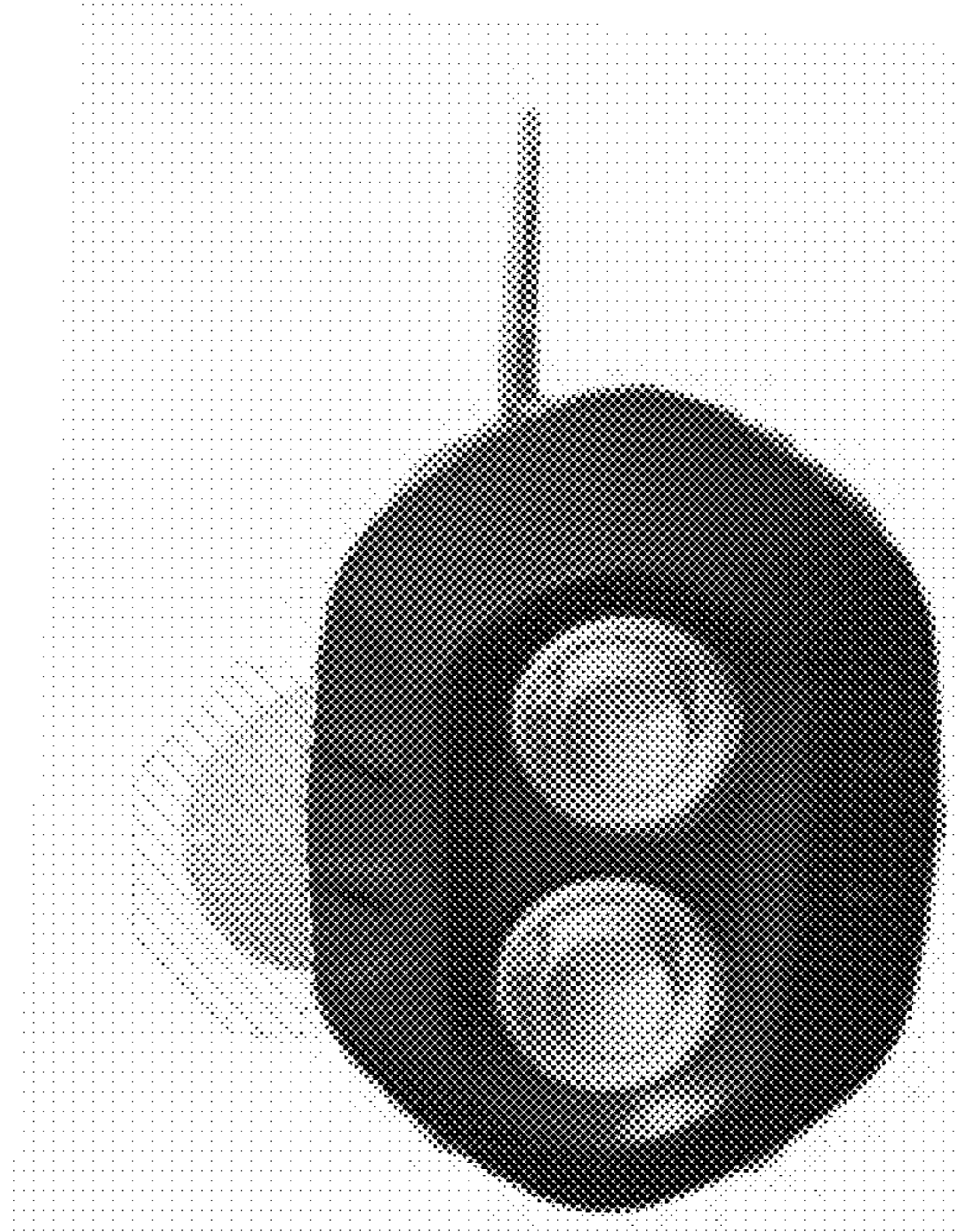
1.4



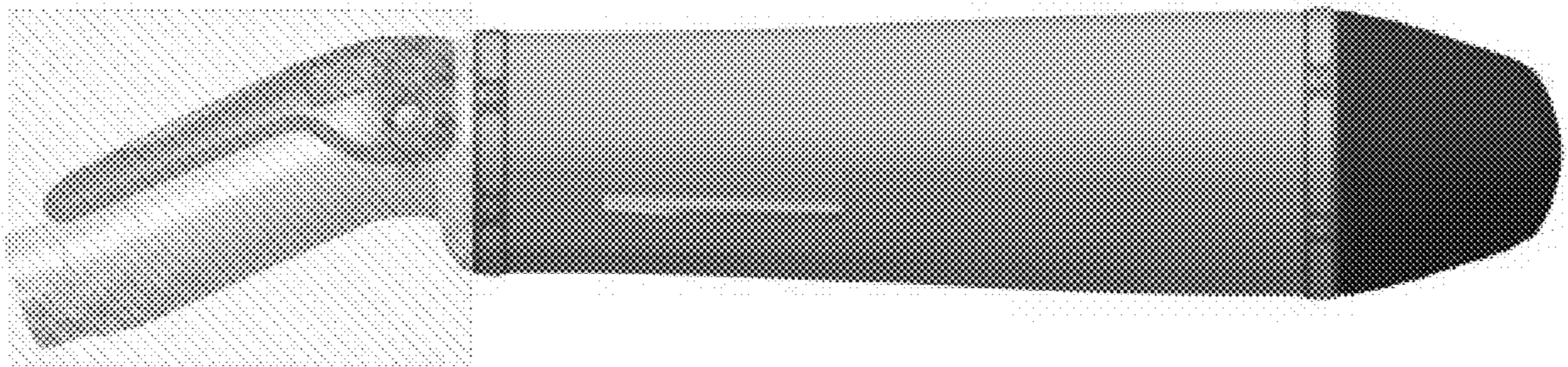
1.5



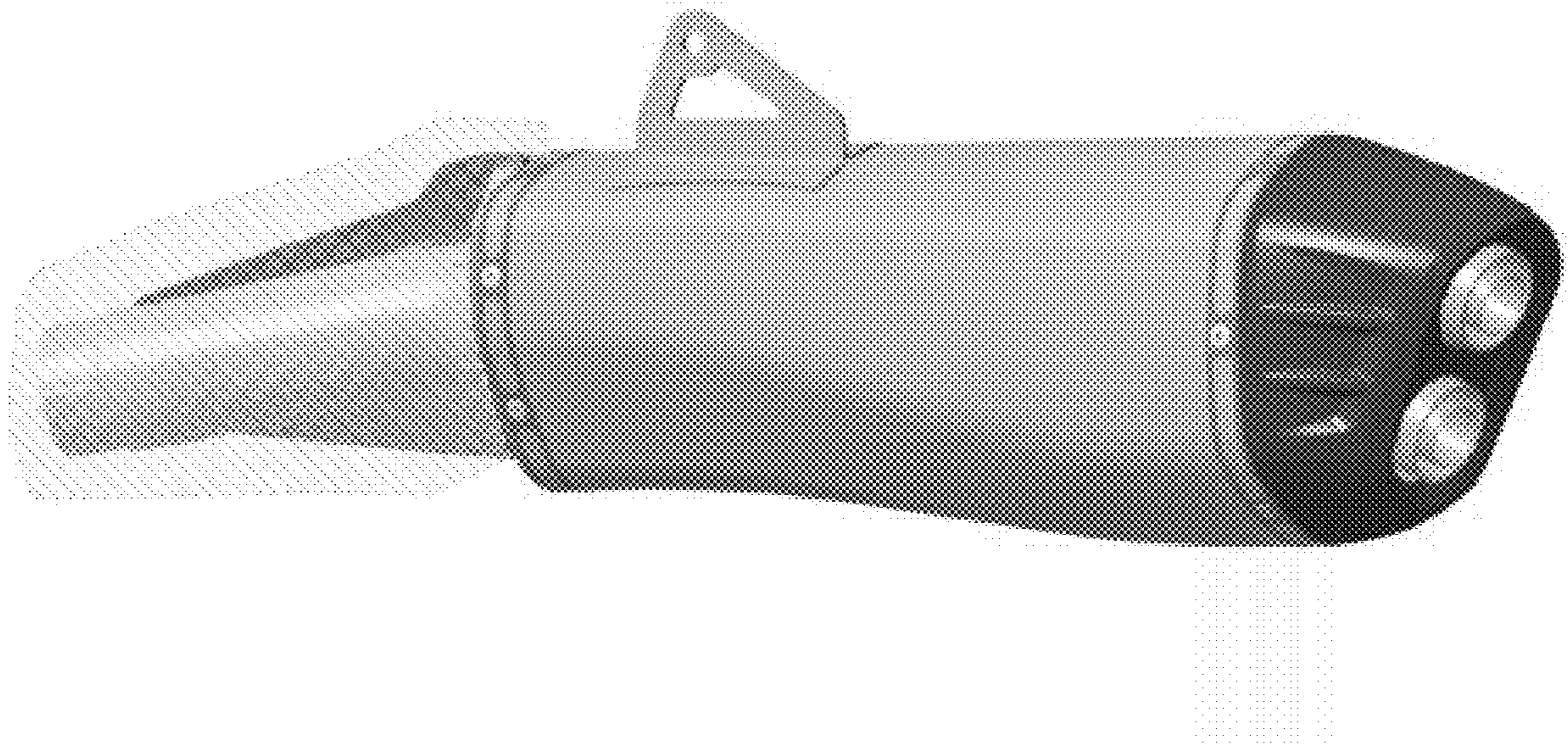
1.6



1.7



1.8



1.9

