



US00D875008S

(12) **United States Design Patent** (10) **Patent No.:** **US D875,008 S**  
**DiCanzio** (45) **Date of Patent:** **\*\* Feb. 11, 2020**

- (54) **HOOD VENT**
- (71) Applicant: **Turn 5, Inc.**, Paoli, PA (US)
- (72) Inventor: **Michael DiCanzio**, West Chester, PA (US)
- (73) Assignee: **Turn 5, Inc.**, Paoli, PA (US)
- (\*\*) Term: **15 Years**
- (21) Appl. No.: **29/647,087**
- (22) Filed: **May 9, 2018**
- (51) **LOC (12) Cl.** ..... **12-16**
- (52) **U.S. Cl.**  
USPC ..... **D12/190; D12/181**
- (58) **Field of Classification Search**  
USPC .... D12/190, 181, 192, 400, 90, 91, 92, 196,  
D12/197, 198, 199, 200, 171, 172, 163,  
D12/110, 114  
CPC ..... B60S 9/205; B60R 13/005; B60R 13/02  
See application file for complete search history.

- (56) **References Cited**  
U.S. PATENT DOCUMENTS  
D316,072 S \* 4/1991 Wayne ..... D12/190  
5,157,377 A \* 10/1992 Wayne ..... B60K 35/00  
180/69.2  
D457,471 S \* 5/2002 Simcox ..... D12/173  
D524,705 S \* 7/2006 Bettino ..... D12/181  
D528,482 S \* 9/2006 Hamburger ..... D12/181

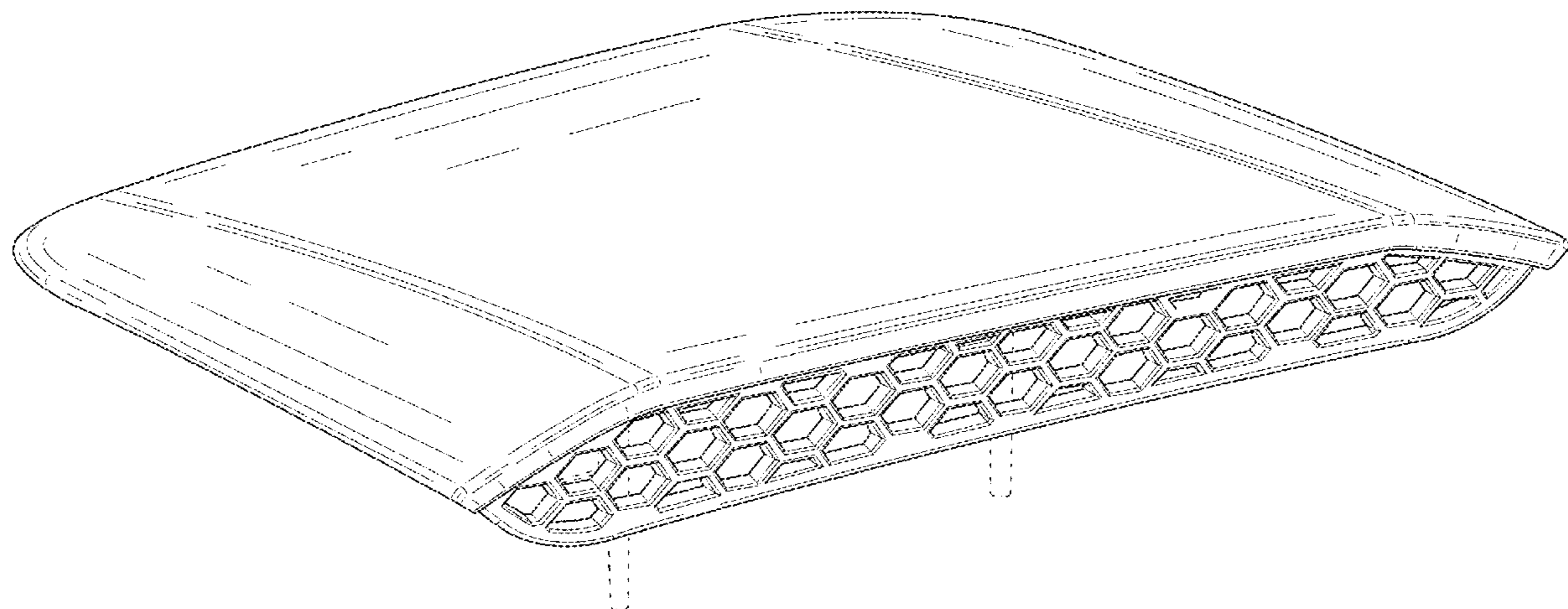
- 7,699,369 B1 \* 4/2010 Buresh ..... B60R 13/04  
296/1.07
- D726,080 S \* 4/2015 Mays ..... D12/173
- D751,013 S \* 3/2016 Curic ..... D12/163
- D758,257 S \* 6/2016 Platto ..... D12/163
- D817,236 S \* 5/2018 DiCanzio ..... D12/173
- D830,258 S \* 10/2018 Moffett ..... D12/181
- D850,339 S \* 6/2019 Lu ..... D12/181
- D854,475 S \* 7/2019 Grand ..... D12/190

\* cited by examiner  
*Primary Examiner* — Katrina A Betton  
(74) *Attorney, Agent, or Firm* — Schott, P.C.

(57) **CLAIM**  
The ornamental design for the hood vent, as shown and described.

**DESCRIPTION**  
FIG. 1 is a perspective view of the hood vent of the present invention, it being understood that the views thereof, a mirror image is possible;  
FIG. 2 is a front view thereof;  
FIG. 3 is a rear view thereof;  
FIG. 4 is a left side view thereof;  
FIG. 5 is a right side view thereof;  
FIG. 6 is a top view thereof;  
FIG. 7 is a bottom view thereof; and,  
FIG. 8 is a perspective view thereof in a potential environment.  
The broken lines illustrate the design's environment and form no part of the claimed design.

**1 Claim, 6 Drawing Sheets**



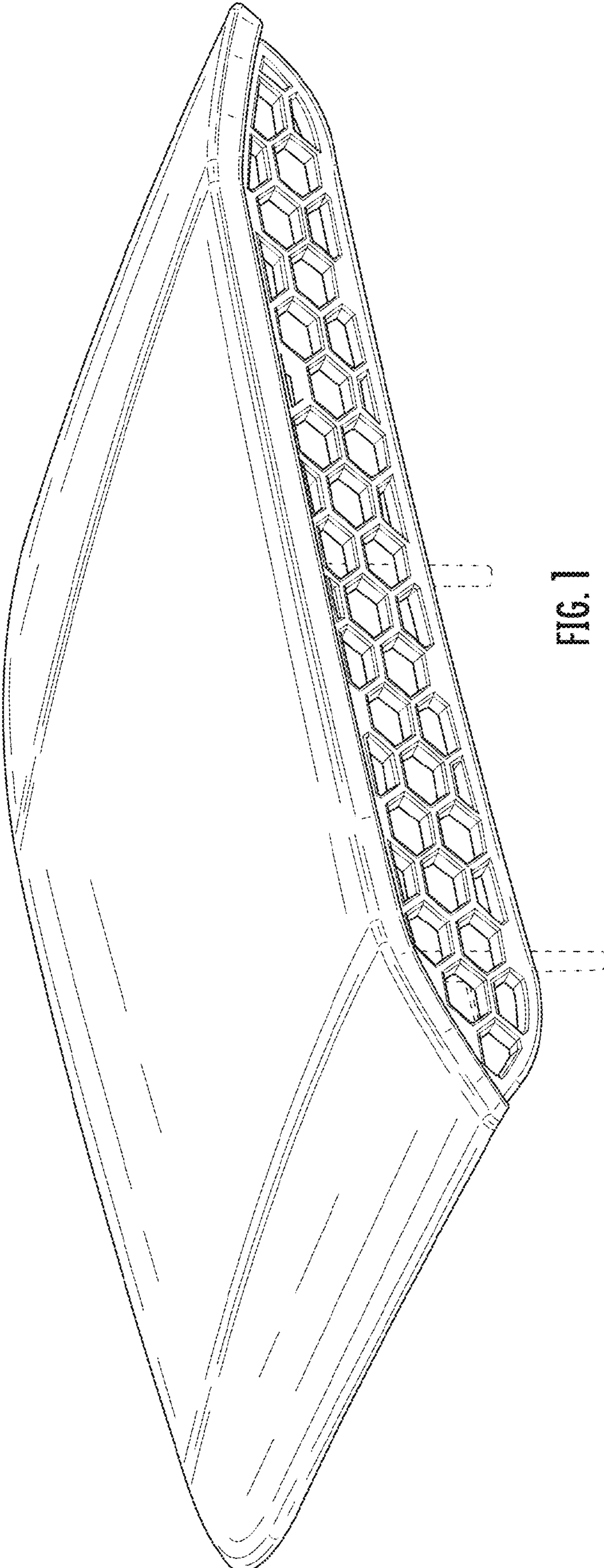


FIG. 1

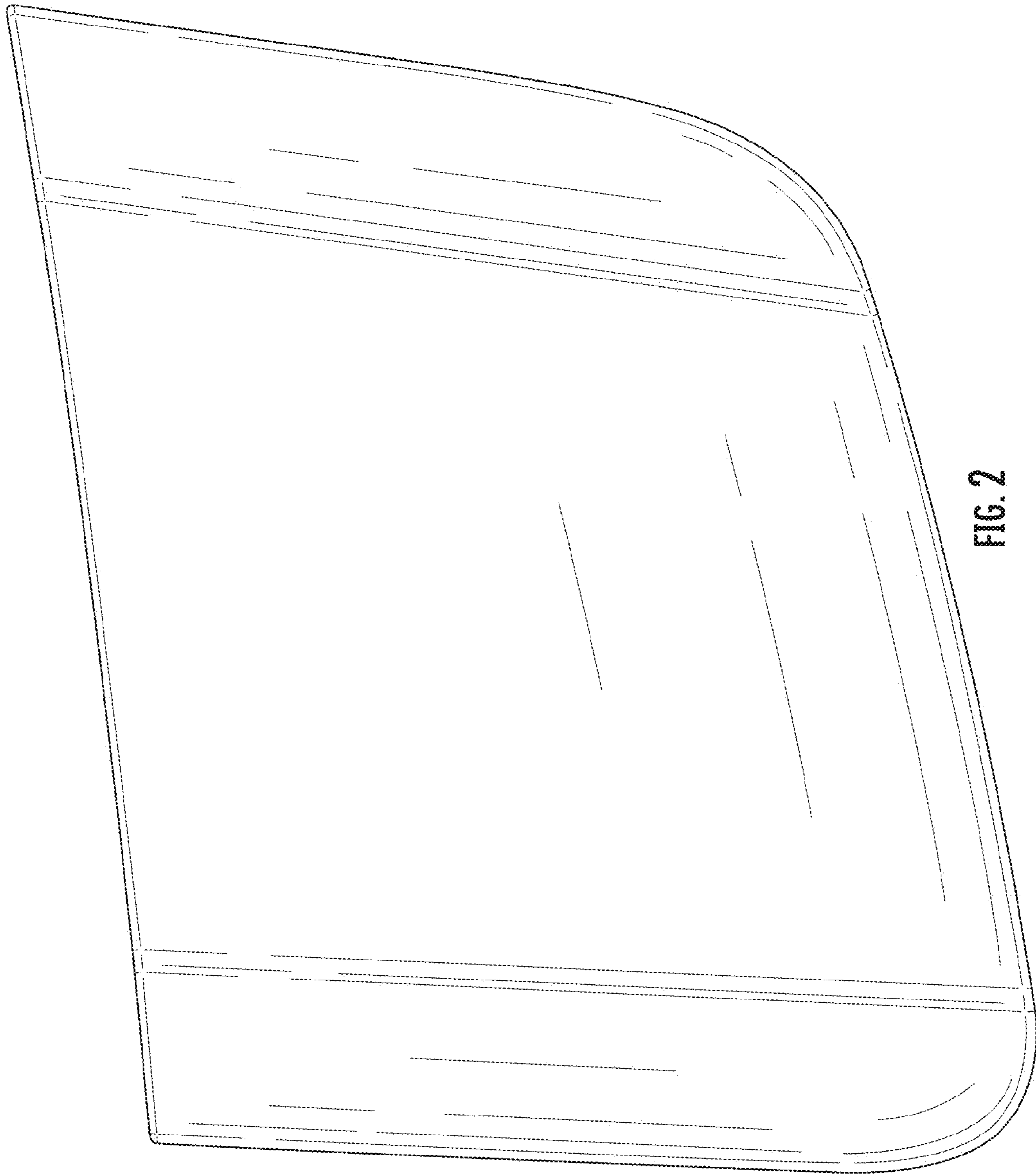


FIG. 2

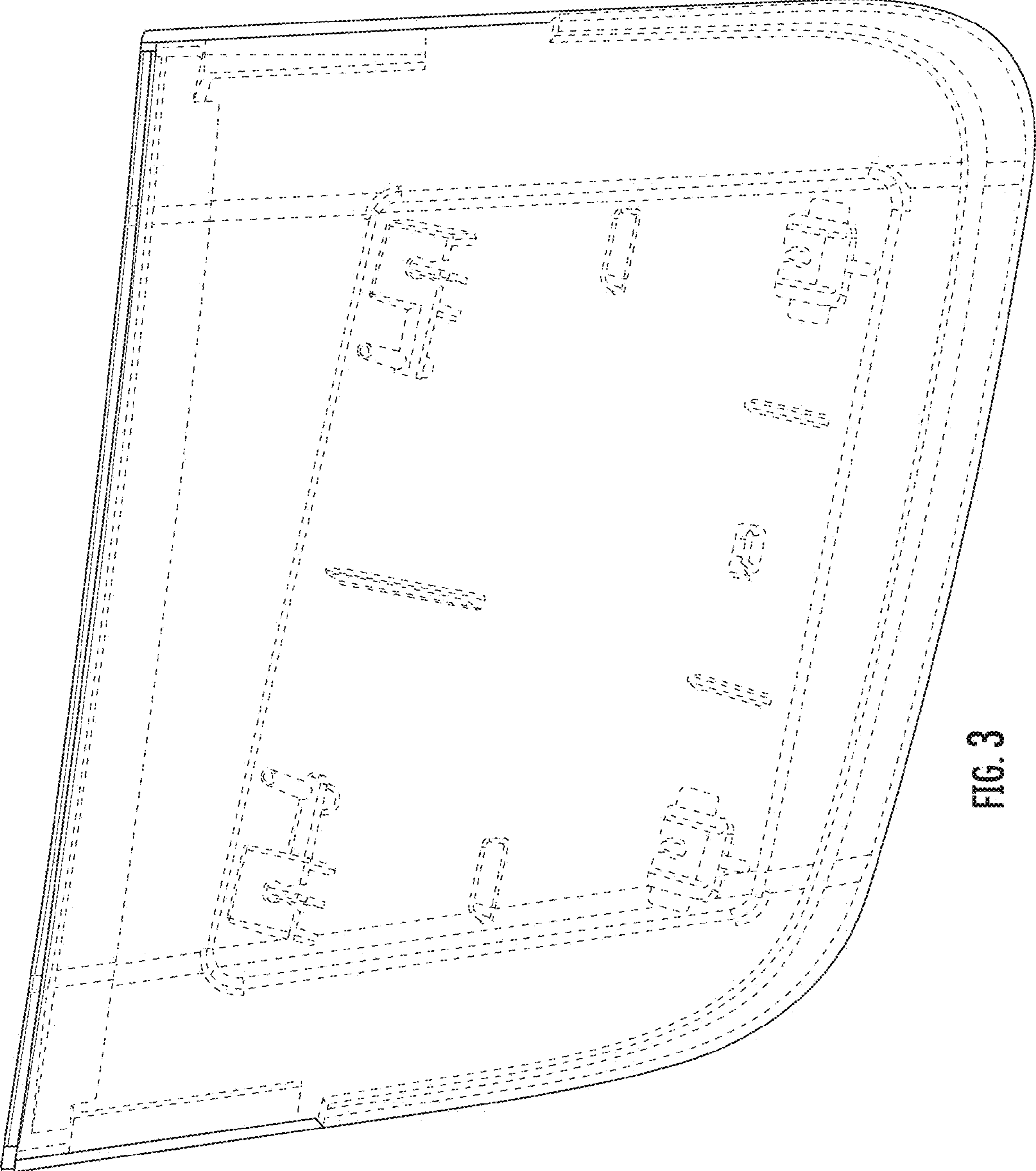


FIG. 3

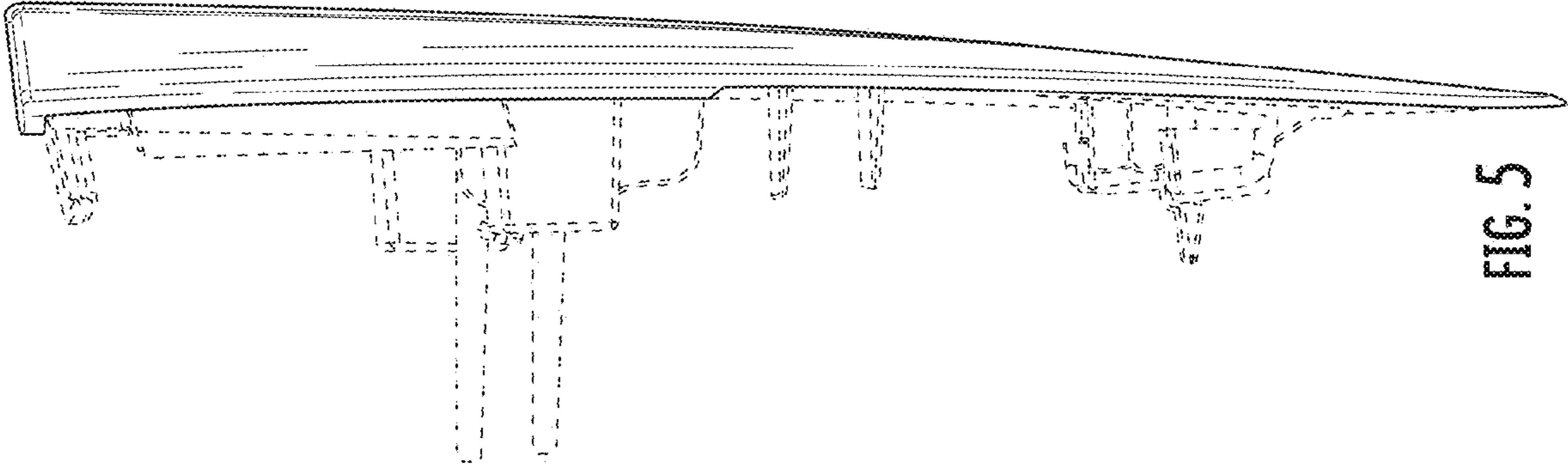


FIG. 5

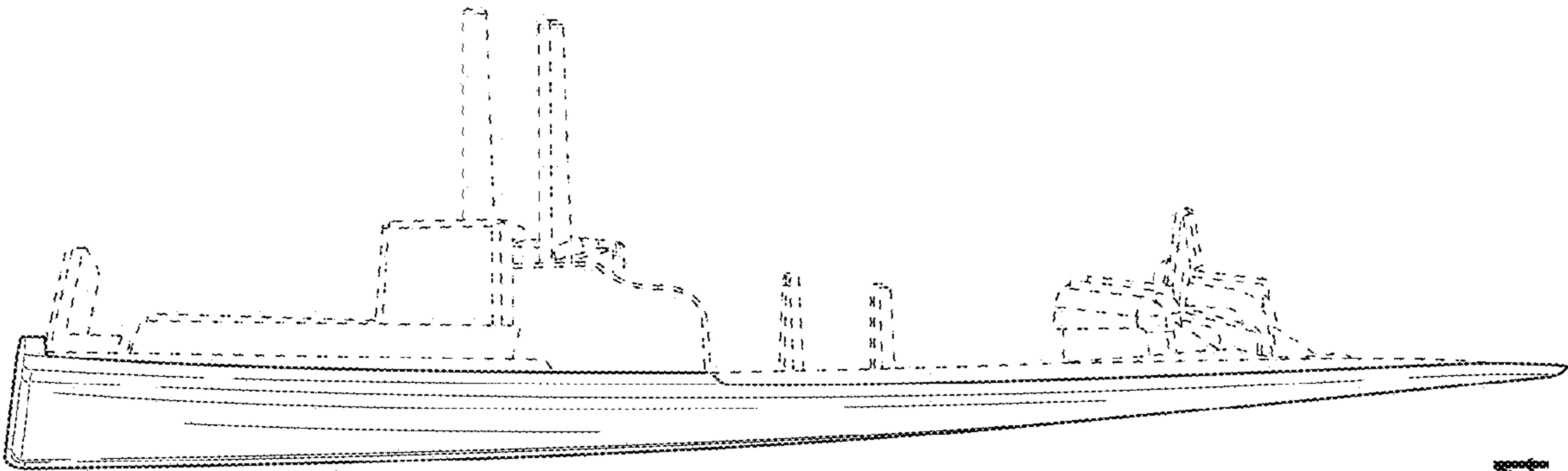


FIG. 4

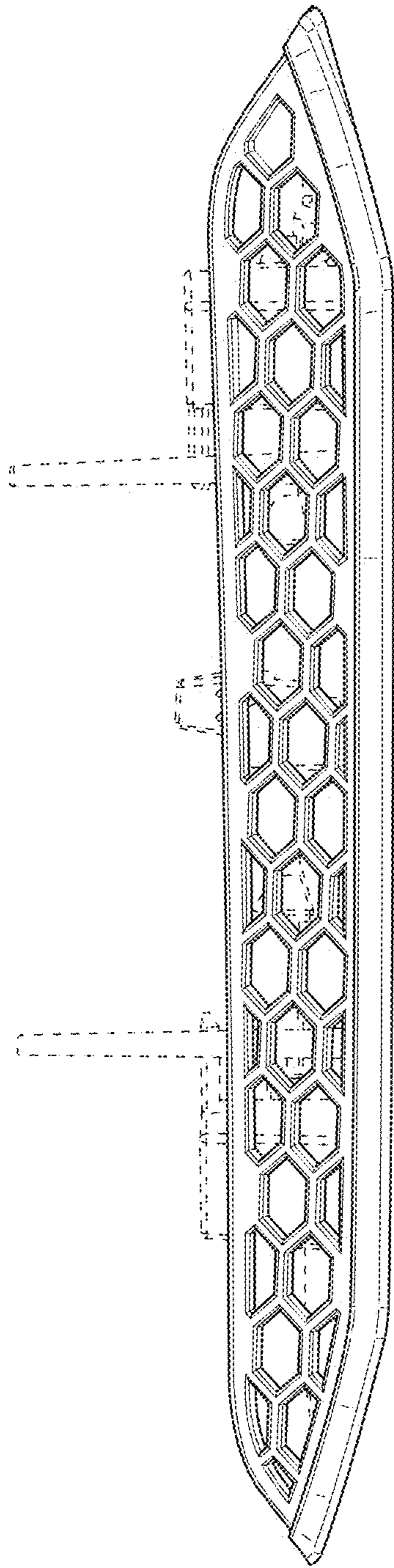


FIG. 6

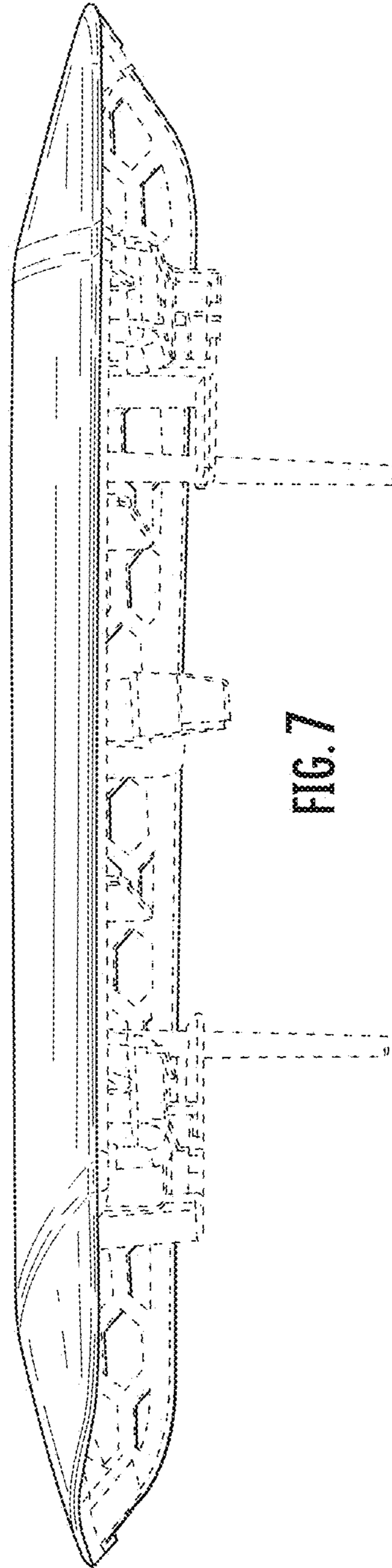


FIG. 7

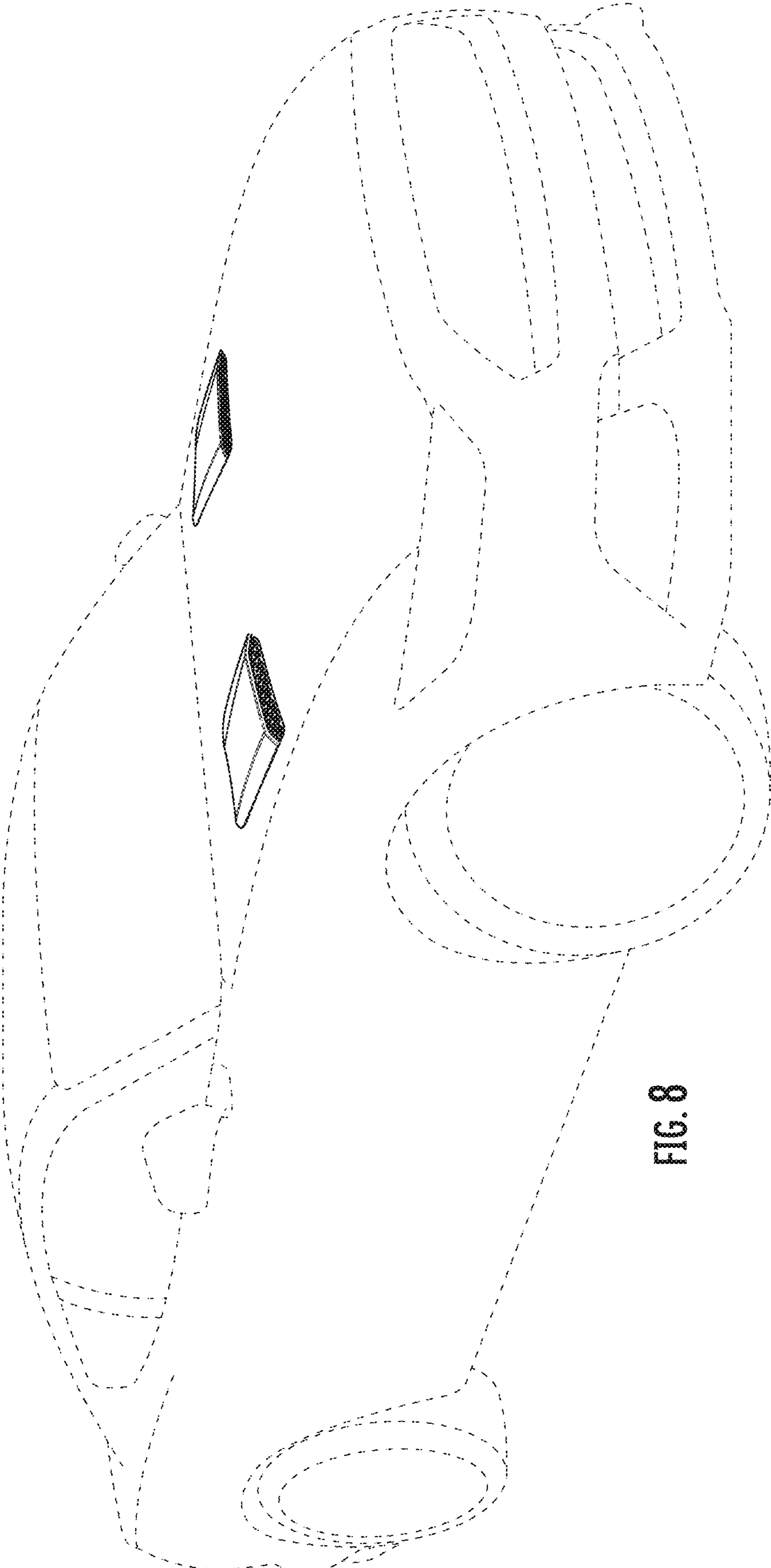


FIG. 8