



US00D875003S

(12) **United States Design Patent** (10) **Patent No.:** **US D875,003 S**
Duncan et al. (45) **Date of Patent:** **** Feb. 11, 2020**

(54) **STALK MOUNTED AUTOMATED MANUAL SHIFTER**

(71) Applicant: **PACCAR Inc**, Bellevue, WA (US)

(72) Inventors: **Jonathan S. Duncan**, Seattle, WA (US); **Steven K. Jahns**, Bellingham, WA (US)

(73) Assignee: **PACCAR Inc**, Bellevue, WA (US)

(**) Term: **15 Years**

(21) Appl. No.: **29/644,104**

(22) Filed: **Apr. 13, 2018**

(51) **LOC (12) Cl.** **12-16**

(52) **U.S. Cl.**
USPC **D12/179**; D12/174

(58) **Field of Classification Search**
USPC D12/400, 415, 162, 174–177, 179, 180, D12/181, 190–192, 196, 218; D14/412; D21/566
CPC .. B60T 17/00; B60D 1/01; B60D 1/14; B60R 25/02105; B60R 2011/001
See application file for complete search history.

(56) **References Cited**

U.S. PATENT DOCUMENTS

D212,240 S *	9/1968	Wong	D21/566
4,219,706 A	8/1980	Koch et al.	
D303,815 S *	10/1989	Kim	D14/416
D413,591 S *	9/1999	Menze	D14/413
6,300,852 B1 *	10/2001	Kato	B60Q 1/1469 200/327
6,945,349 B2	9/2005	Colling et al.	
D537,393 S *	2/2007	Chanteloup	D12/179
D537,394 S *	2/2007	Chanteloup	D12/179
D571,268 S *	6/2008	Hoffman	D12/179
D599,829 S *	9/2009	Jorgensen	D14/412

(Continued)

OTHER PUBLICATIONS

“Benefits of the 2017 Mercedes-Benz E-Class Column Shifter” [online]. Mercedes-Benz of North Haven. [Published on Apr. 26, 2017]. Retrieved from the Internet: <<https://www.mbofnorthhaven.com/benefits-of-the-2017-mercedes-benz-e-class-column-shifter>>.
*

(Continued)

Primary Examiner — Khawaja Anwar
Assistant Examiner — Mojtaba Tehrani

(74) *Attorney, Agent, or Firm* — Seed IP Law Group LLP

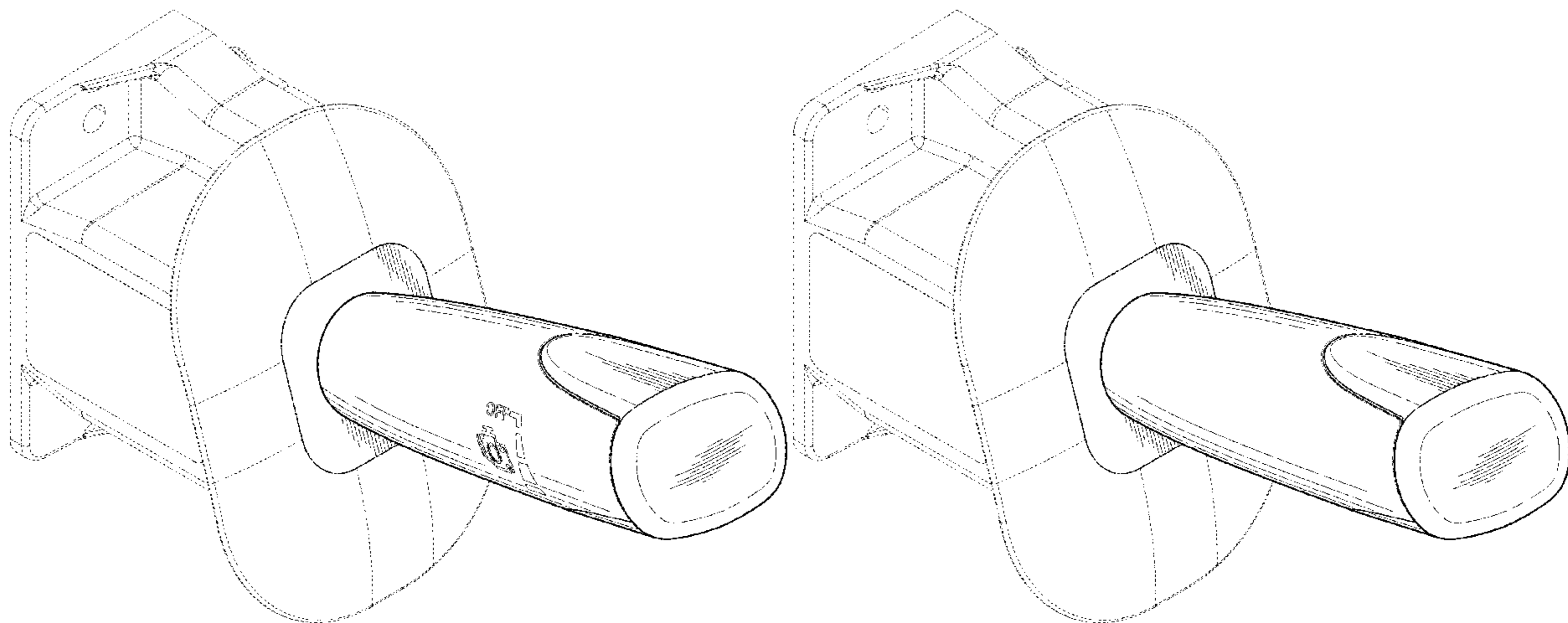
(57) **CLAIM**

The ornamental design for a stalk mounted automated manual shifter, as shown and described.

DESCRIPTION

FIG. 1 is a front-right-top perspective view of the first embodiment of a stalk mounted automated manual shifter, showing our new design;
FIG. 2 is front elevational view thereof;
FIG. 3 is rear elevational view thereof;
FIG. 4 is a top plan view thereof;
FIG. 5 is a bottom plan view thereof;
FIG. 6 is right side elevational view thereof;
FIG. 7 is left elevational view thereof;
FIG. 8 is a front-right-top perspective view of the second embodiment of a stalk mounted automated manual shifter, showing our new design;
FIG. 9 is front elevational view thereof;
FIG. 10 is rear elevational view thereof;
FIG. 11 is a top plan view thereof;
FIG. 12 is a bottom plan view thereof;
FIG. 13 is right side elevational view thereof; and,
FIG. 14 is left elevational view thereof.
The dashed broken lines in the drawings show portions of the coordinate input device that form no part of the claimed design. The dot-dot-dash broken lines in the drawings define the bounds of the claimed design and form no part thereof.

1 Claim, 12 Drawing Sheets



(56)

References Cited

U.S. PATENT DOCUMENTS

D606,100	S	*	12/2009	Kobayashi	D15/28
D607,515	S	*	1/2010	Oikawa	D14/412
D691,217	S	*	10/2013	Condon	D21/566
D734,750	S	*	7/2015	Jensen	D14/415
D740,732	S	*	10/2015	Ernstsson	D12/179
D745,009	S	*	12/2015	Jensen	D14/415
D829,211	S	*	9/2018	Barbieri	D14/412
D859,245	S	*	9/2019	Tseng	D12/174
2015/0135878	A1	*	5/2015	Park	F16H 59/0204 74/473.24

OTHER PUBLICATIONS

“Ram Issues Shifter Recall” [online]. Evan Williams. [Published on Jan. 4, 2018]. Retrieved from the Internet: <<https://www.autotrader.ca/newsfeatures/20180104/ram-issues-shifter-recall>>.*

“Peterbilt Pairs Column-Mounted Shifter With Paccar Automated Transmission,” HDT Truckinginfo, Aug. 23, 2017, <<https://www.truckinginfo.com/141834/peterbilt-pairs-column-mounted-shifter-with-paccar-automated-transmission>>, 2 pages.

* cited by examiner

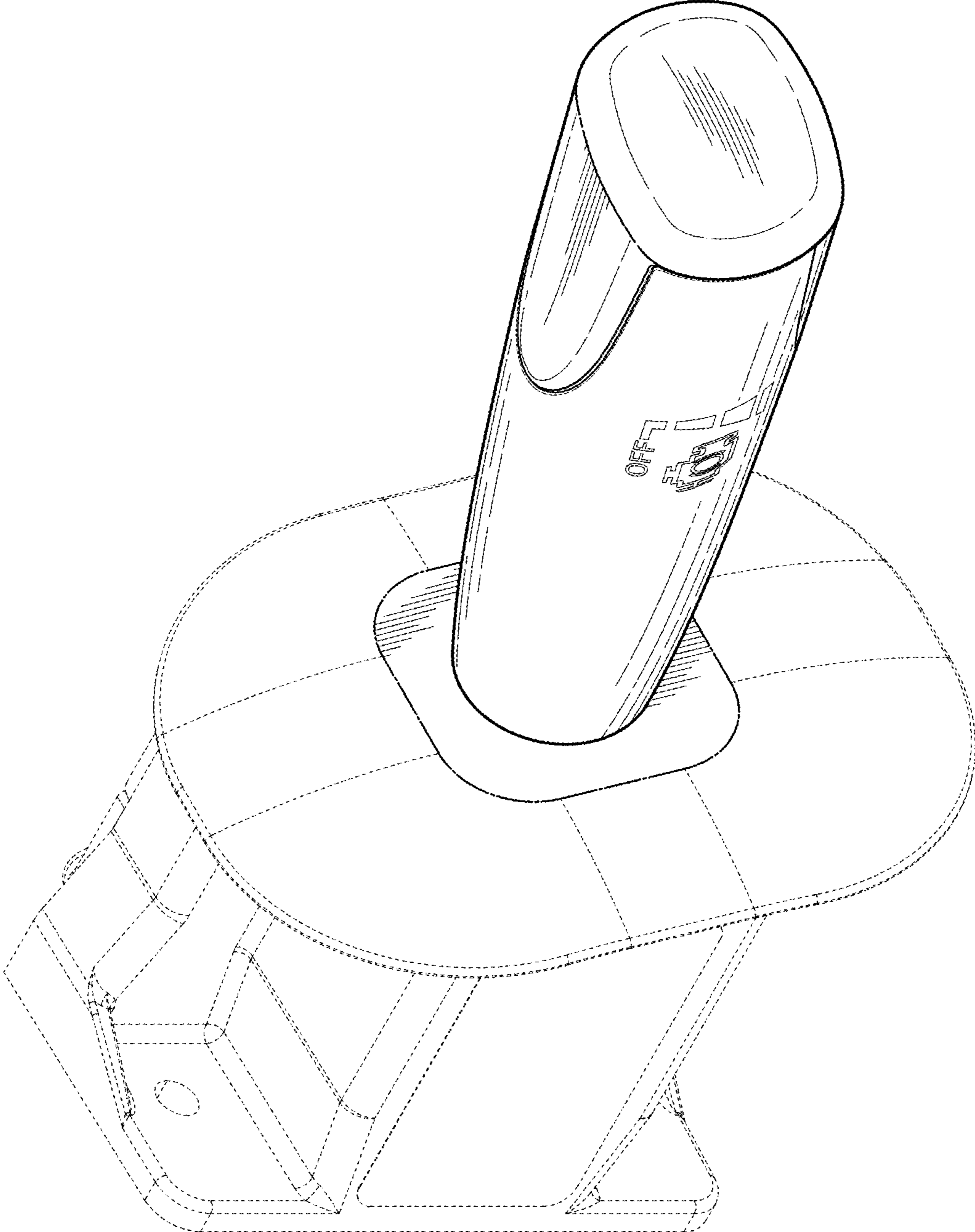


Fig. 1.

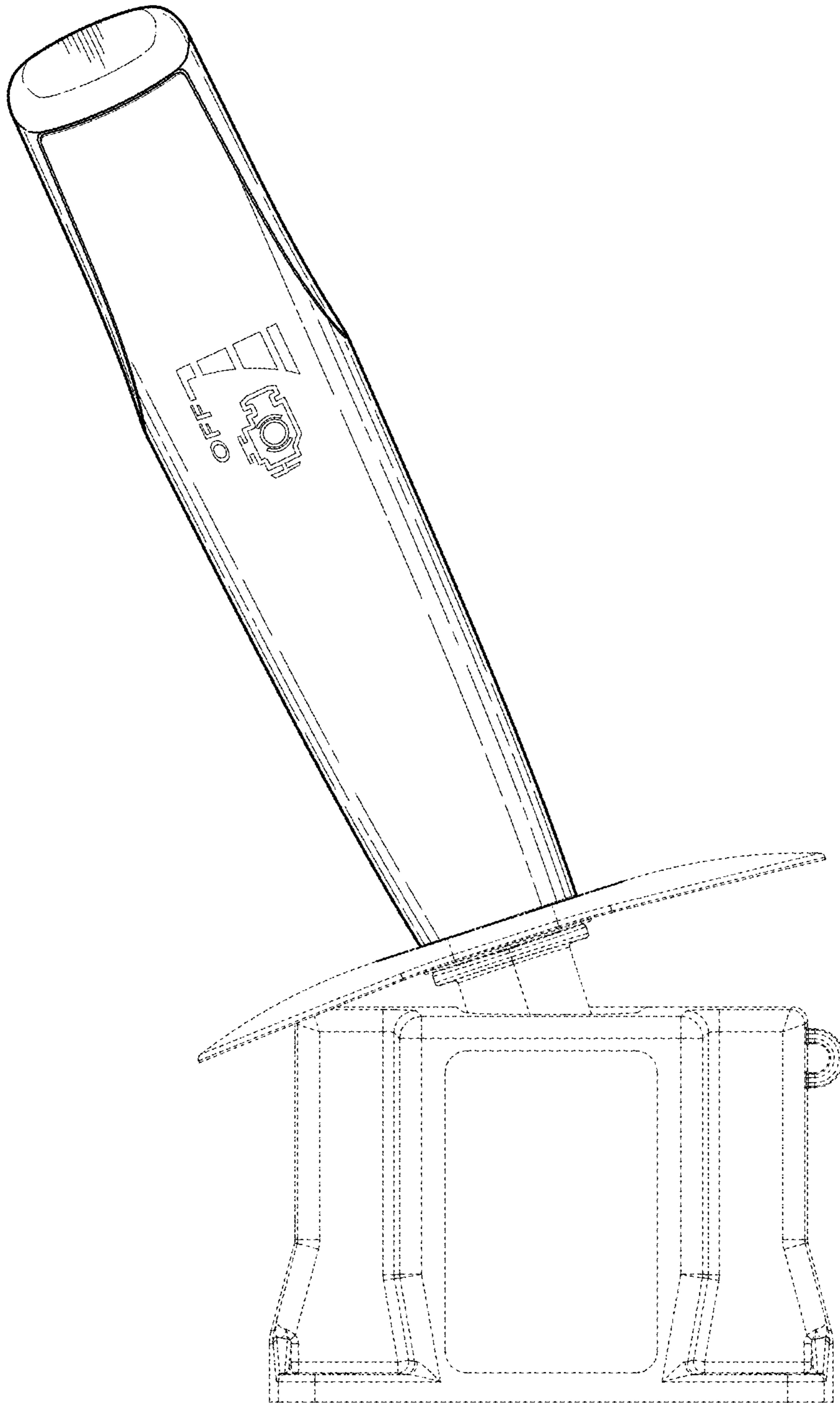


Fig. 2.

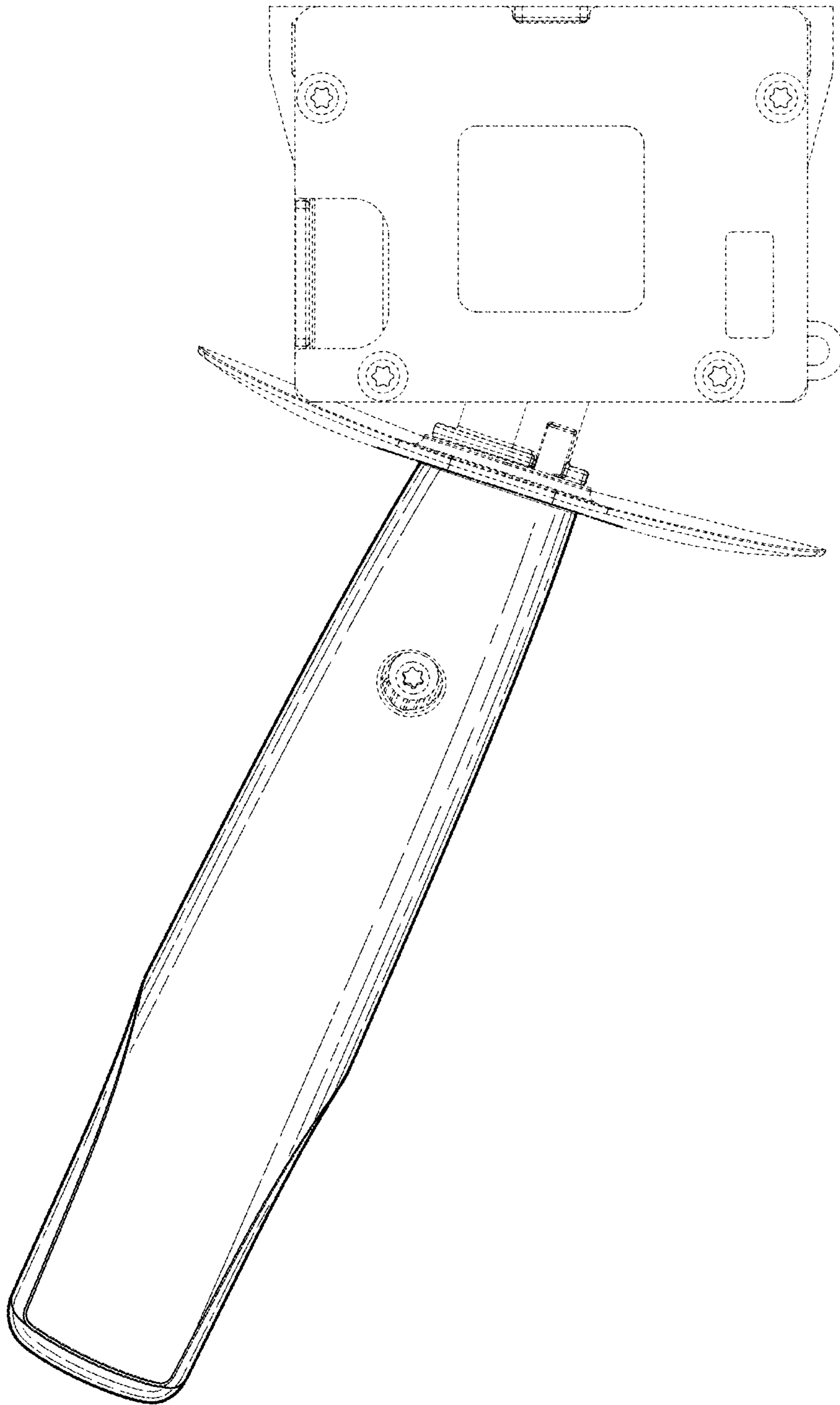


Fig. 3.

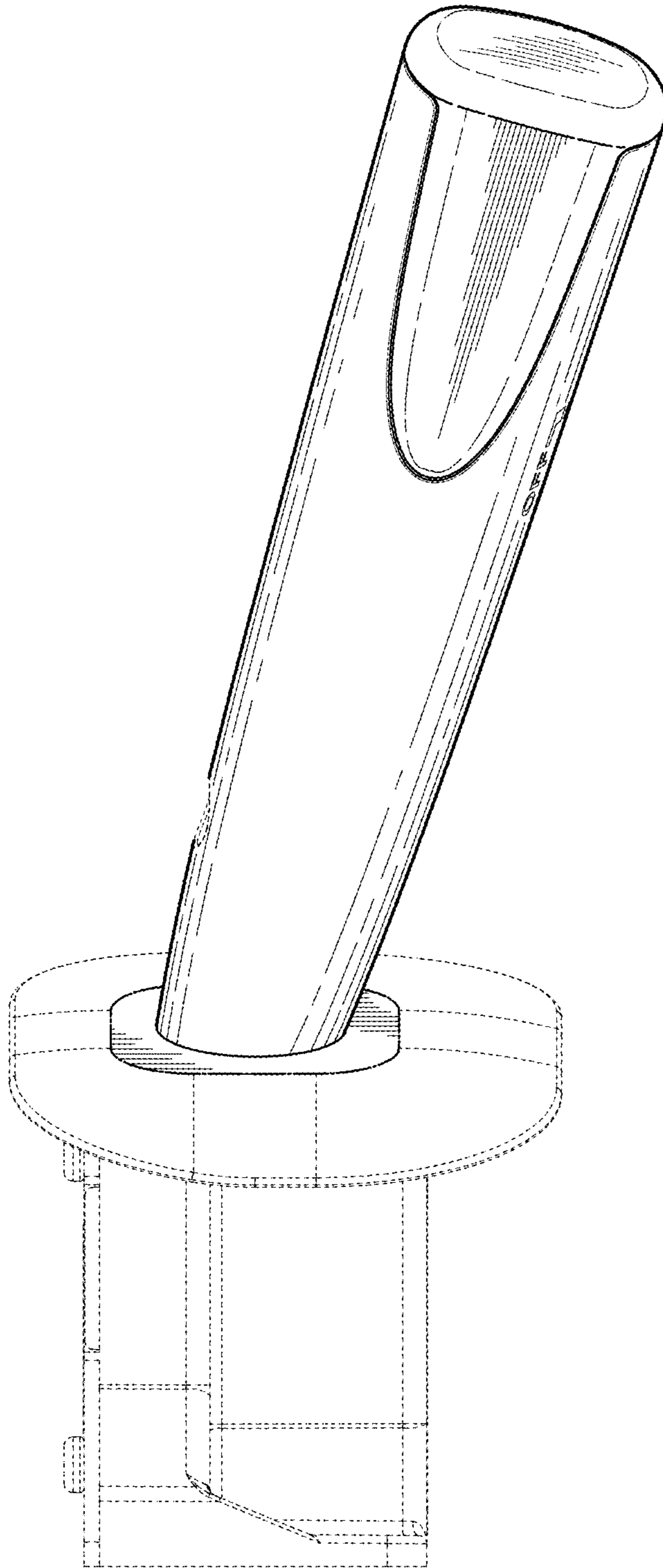


Fig. 4.

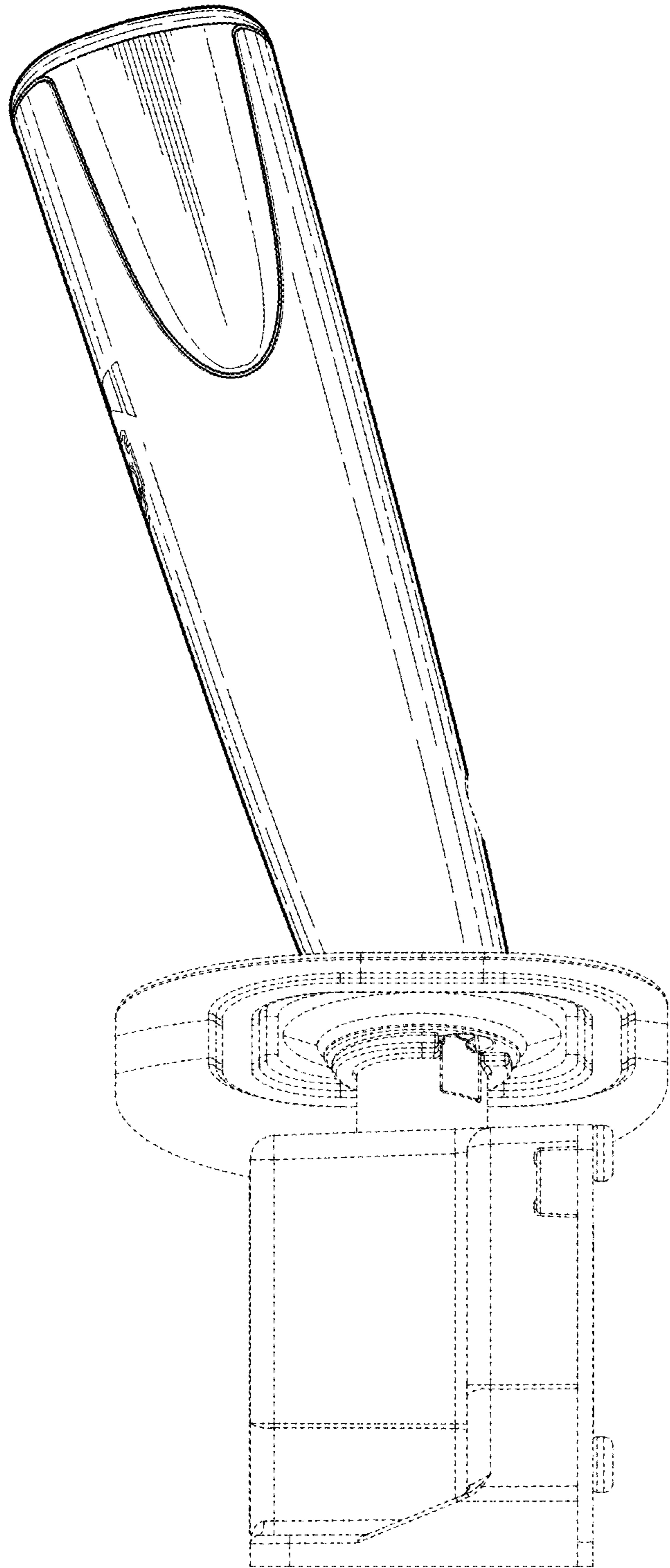


Fig. 5.

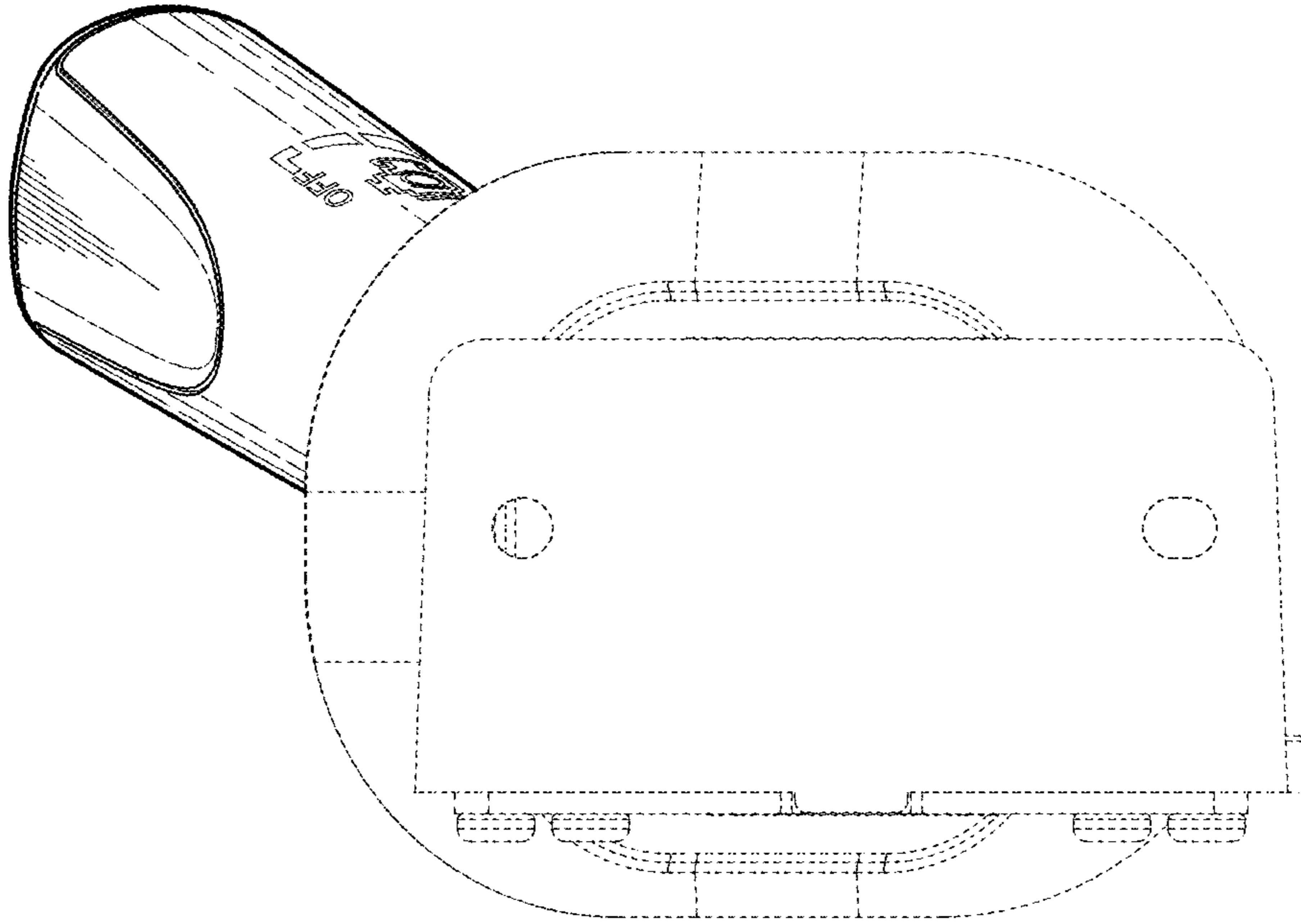


Fig. 7.

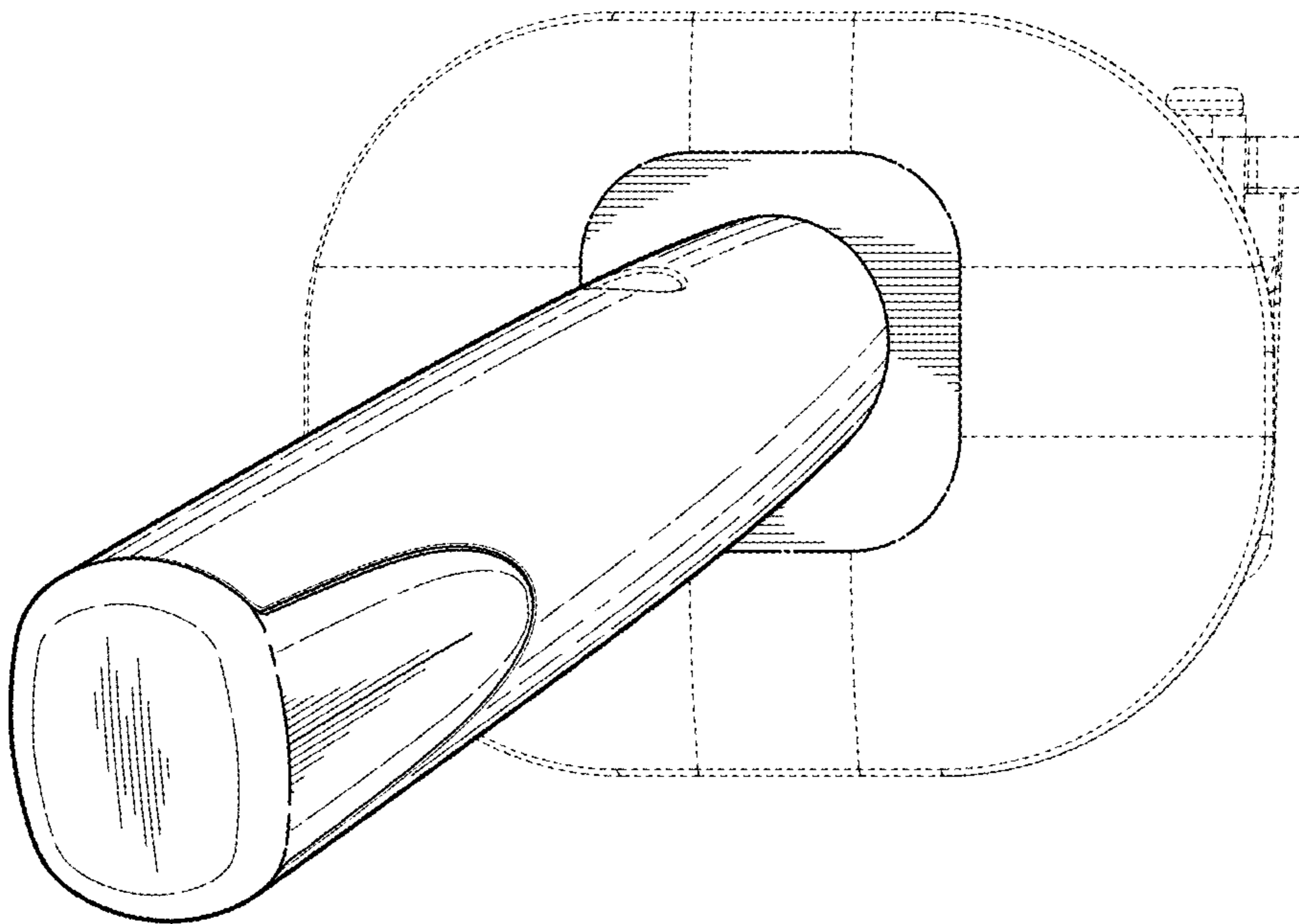


Fig. 6.

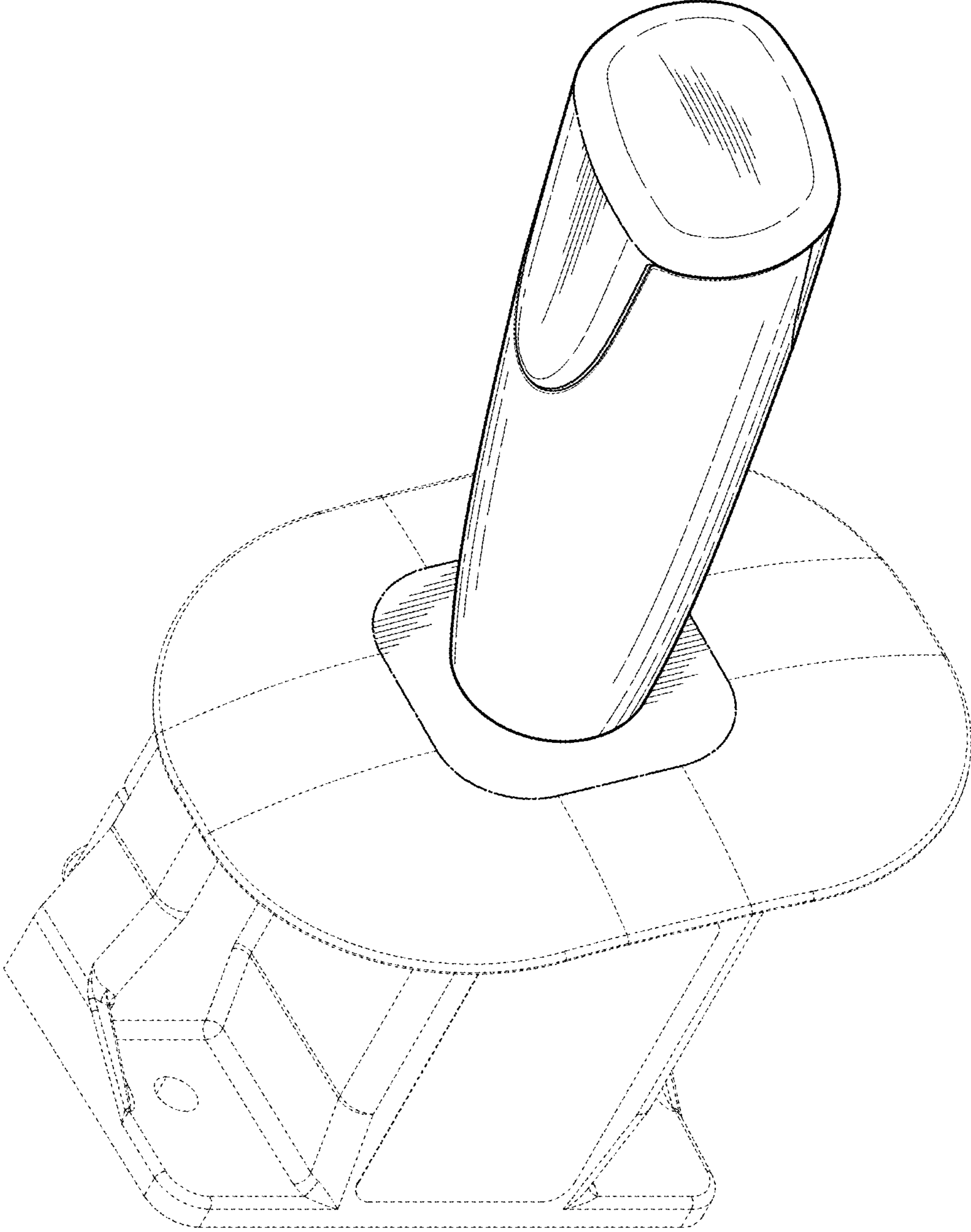


Fig. 8.

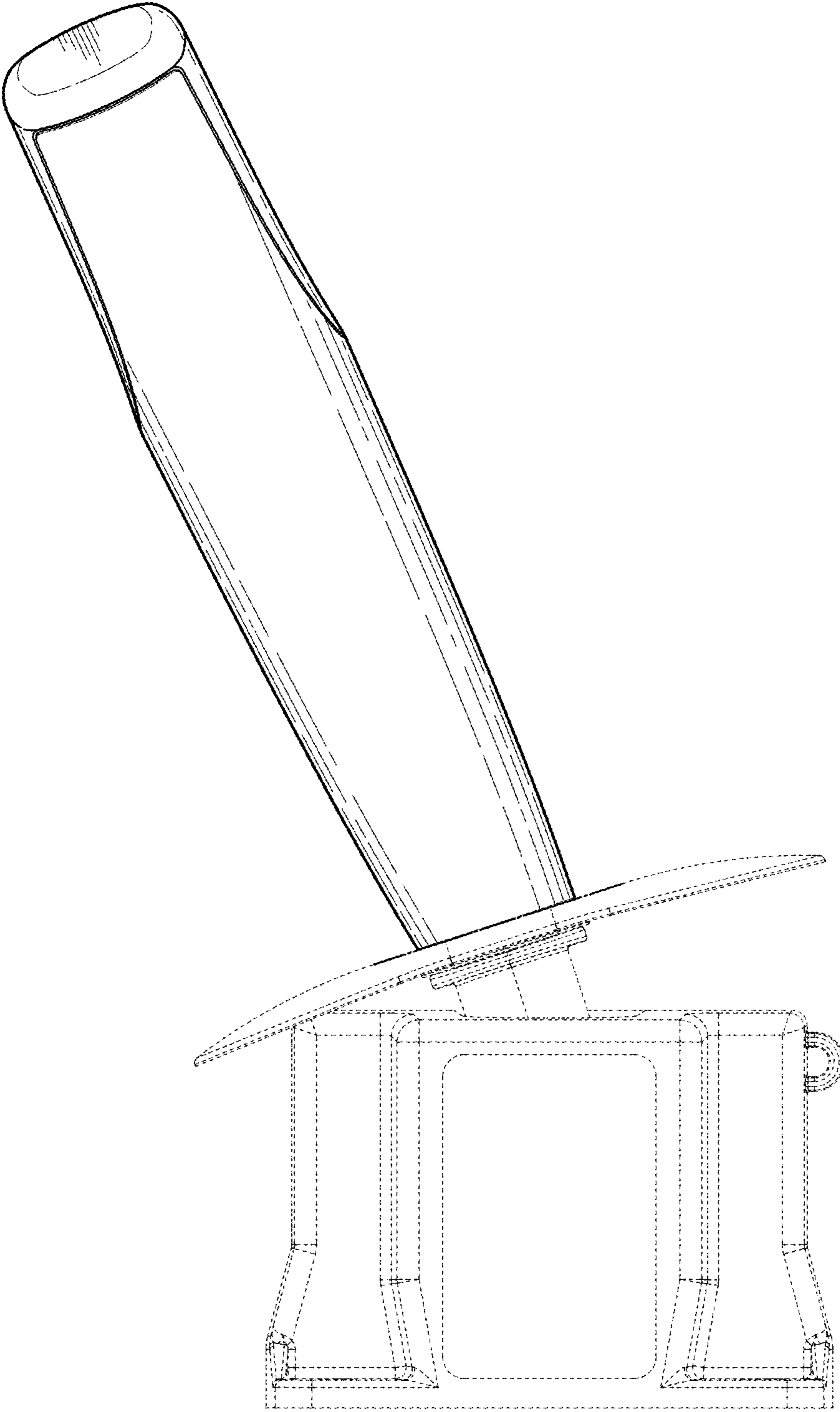


Fig. 9.

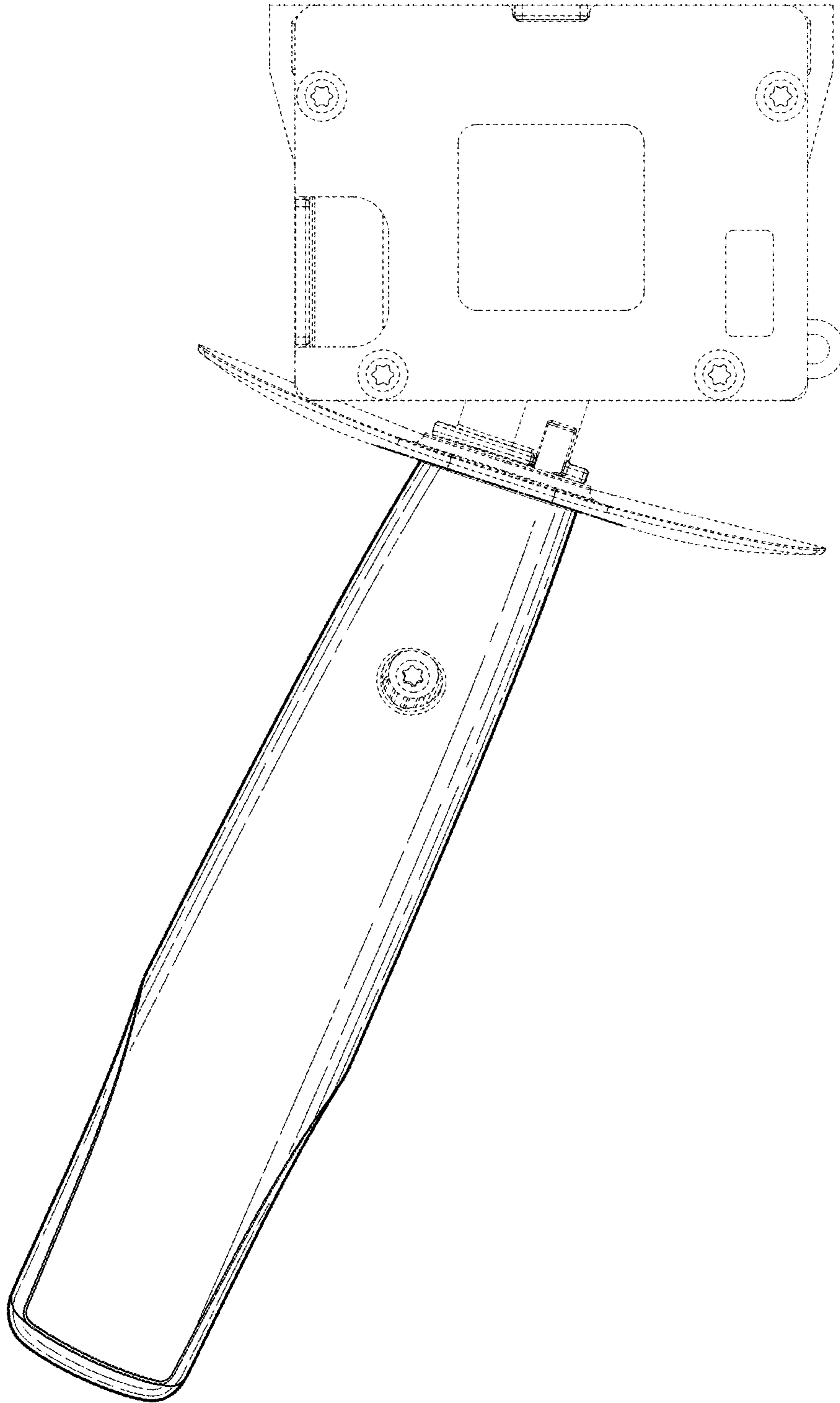


Fig. 10.

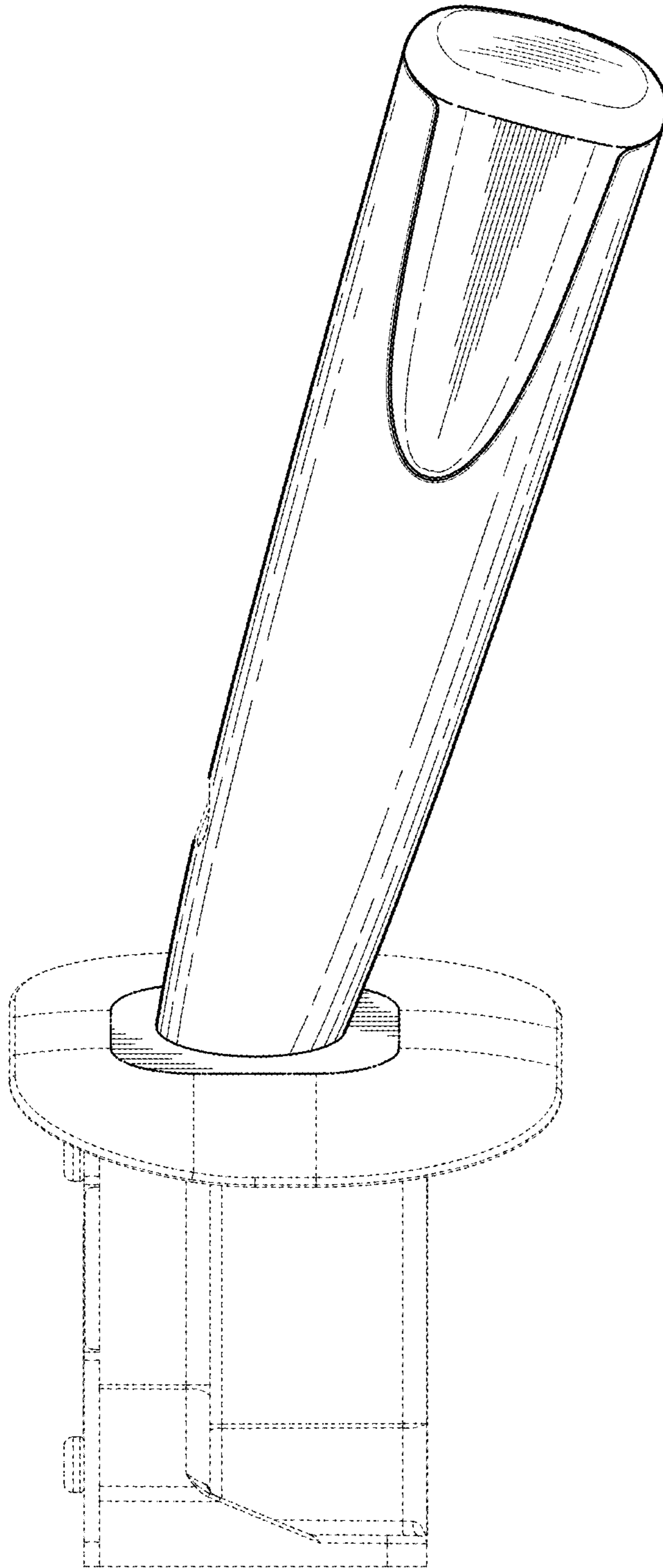


Fig. 11.

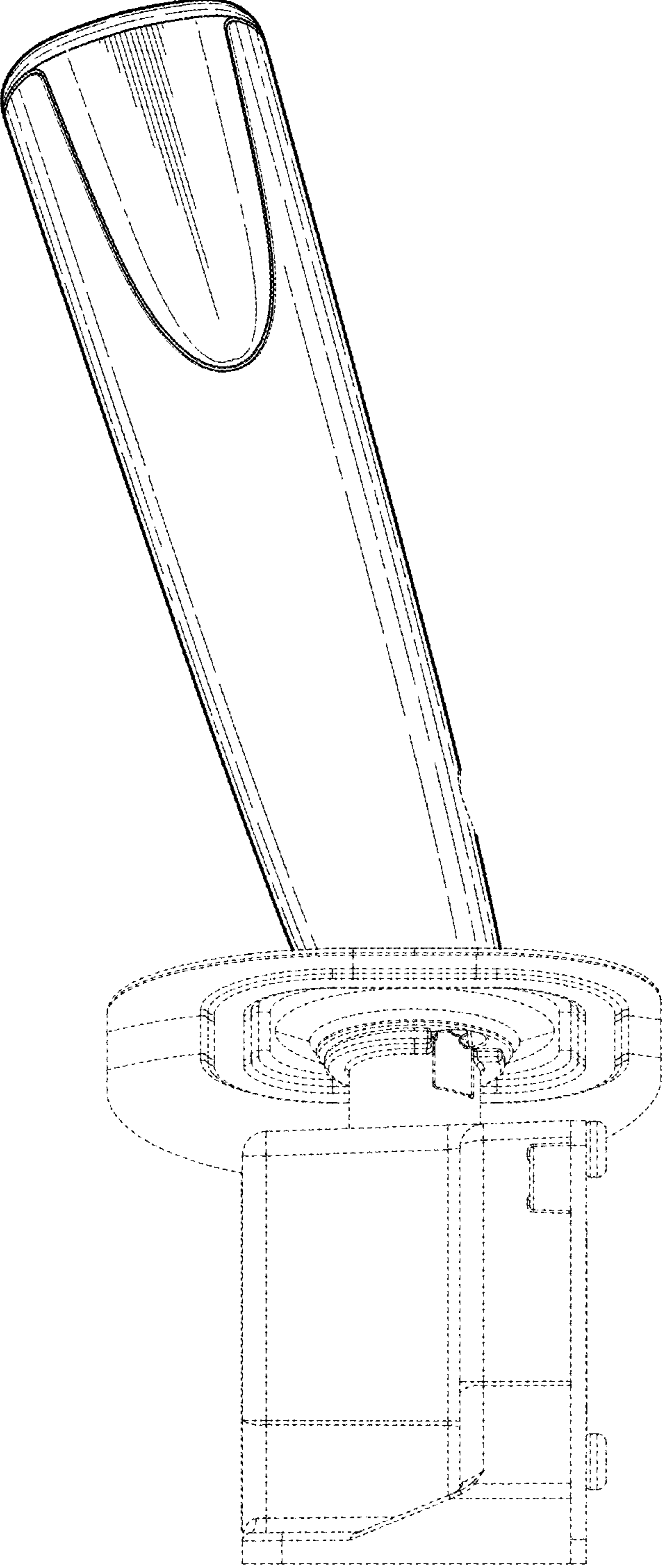


Fig. 12.

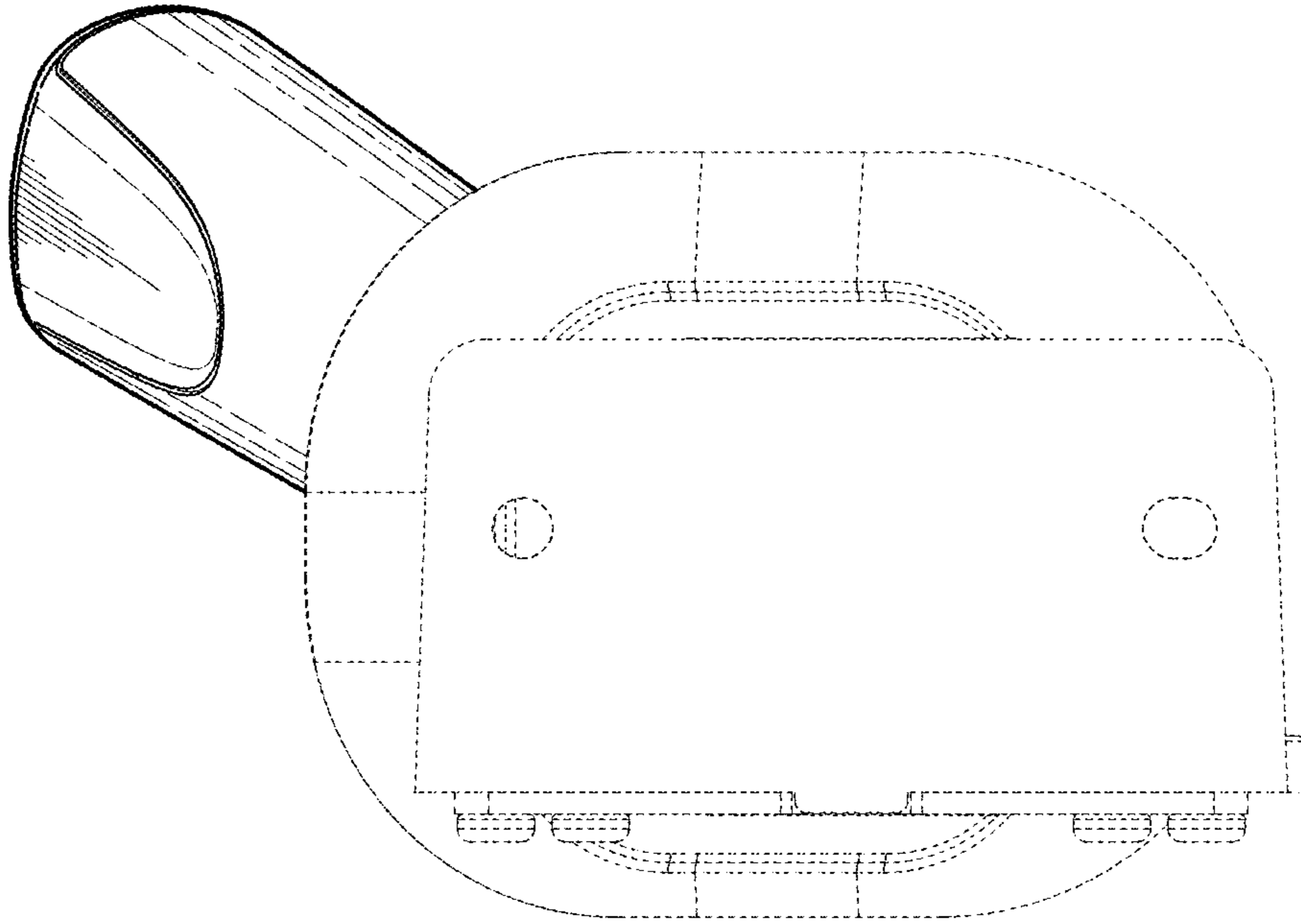


Fig. 14.

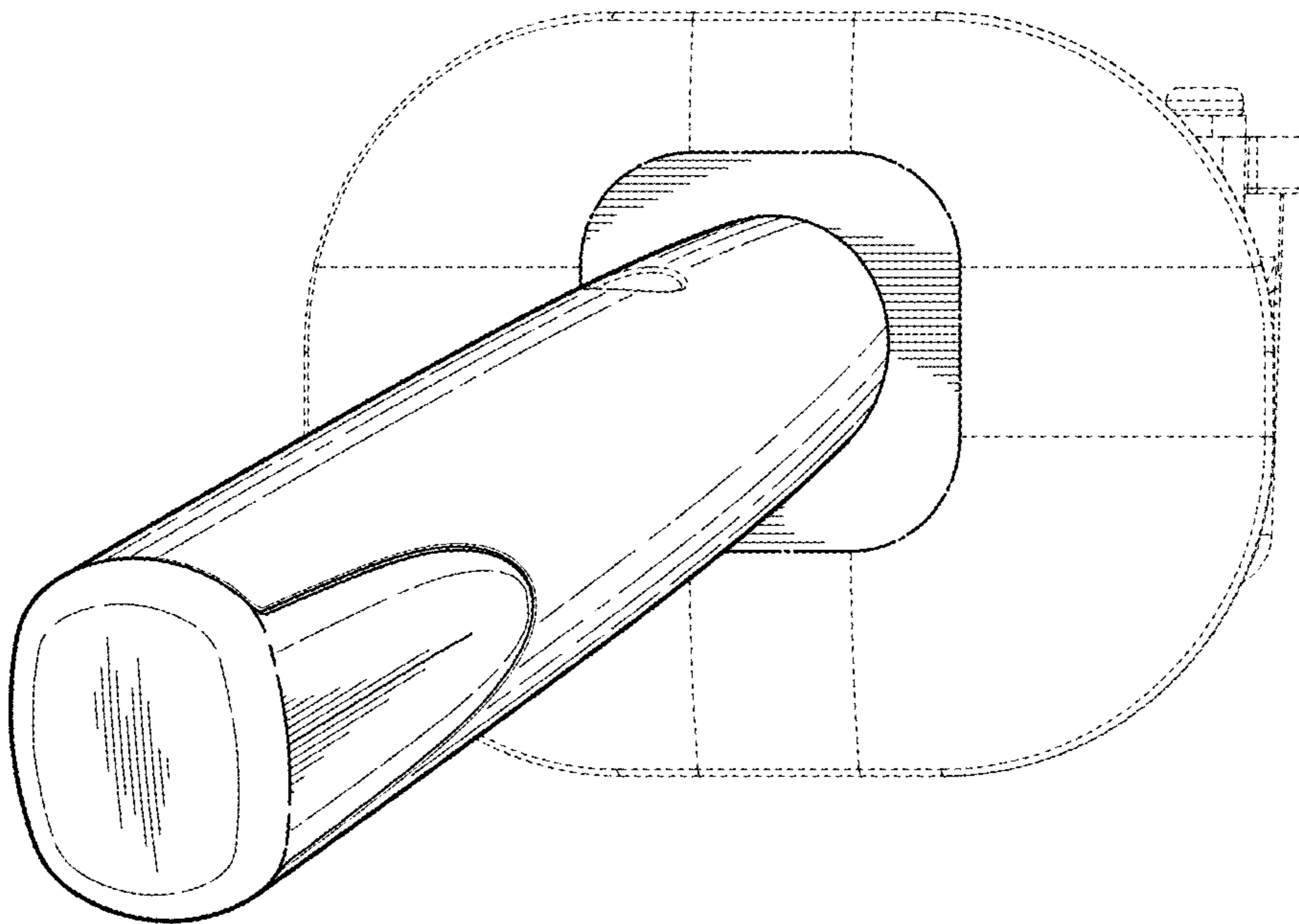


Fig. 13.

UNITED STATES PATENT AND TRADEMARK OFFICE
CERTIFICATE OF CORRECTION

PATENT NO. : D875,003 S
APPLICATION NO. : 29/644104
DATED : February 11, 2020
INVENTOR(S) : Jonathan S. Duncan et al.

Page 1 of 1

It is certified that error appears in the above-identified patent and that said Letters Patent is hereby corrected as shown below:

On the Title Page

Item (54) Title:

“STALK MOUNTED AUTOMATED MANUAL SHIFTER” should read --STEERING COLUMN MOUNTED BRAKE CONTROL STALK--

Item (57) CLAIM, Line 1-2:

“stalk mounted automated manual shifter” should read --steering column mounted brake control stalk--

DESCRIPTION, FIG. 1, Line 2:

“stalk mounted automated manual shifter” should read --steering column mounted brake control stalk--

DESCRIPTION, FIG. 8, Line 2:

“stalk mounted automated manual shifter” should read --steering column mounted brake control stalk--

Signed and Sealed this
Twenty-third Day of March, 2021



Drew Hirshfeld
*Performing the Functions and Duties of the
Under Secretary of Commerce for Intellectual Property and
Director of the United States Patent and Trademark Office*