



US00D875002S

(12) **United States Design Patent**
Chan

(10) **Patent No.:** **US D875,002 S**

(45) **Date of Patent:** **** Feb. 11, 2020**

(54) **BRACKET OF A HYDRAULIC POWER STEERING KIT**

(71) Applicant: **Shihwen Chan**, Santa Fe Springs, CA (US)

(72) Inventor: **Shihwen Chan**, Santa Fe Springs, CA (US)

(**) Term: **15 Years**

(21) Appl. No.: **29/624,406**

(22) Filed: **Oct. 31, 2017**

(51) **LOC (12) Cl.** **12-16**

(52) **U.S. Cl.**
USPC **D12/177**

(58) **Field of Classification Search**
USPC D12/87, 223, 415, 420, 422; D3/215, D3/218; D8/349, 350, 352, 353, 354, D8/356, 357, 366, 367, 373, 380, 382, D8/383, 384, 394, 396, 499; D6/300, D6/552, 554, 572, 553
CPC . B62D 1/11; B25B 23/00; F02B 63/06; F02B 67/06; F02B 2275/06; F02F 7/0046
See application file for complete search history.

(56) **References Cited**

U.S. PATENT DOCUMENTS

- 4,064,613 A * 12/1977 Simms B25B 27/0035
29/407.08
- 5,245,961 A * 9/1993 Miyakubo B60K 5/1216
123/195 C
- 5,259,646 A * 11/1993 Snyder B62D 1/195
280/777
- D376,535 S * 12/1996 Gary D26/138
- D426,732 S * 6/2000 Chou D6/716.2
- D431,999 S * 10/2000 Haltof D8/354
- D442,908 S * 5/2001 Nickel D12/223
- D528,951 S * 9/2006 Oben D12/180

- D588,441 S * 3/2009 Clarke D8/354
- D647,386 S * 10/2011 Pelini D8/349
- D735,632 S * 8/2015 Beidler D12/223
- D747,955 S * 1/2016 Franco D8/354
- D789,179 S * 6/2017 Minkovich D8/354
- D792,922 S * 7/2017 Benson D17/22
- D836,674 S * 12/2018 Paddock D15/5
- D845,350 S * 4/2019 Gillespie D15/5
- D846,000 S * 4/2019 Paddock D15/5

* cited by examiner

Primary Examiner — Susan Bennett Hattan

Assistant Examiner — Suzanne E Tisdell

(74) *Attorney, Agent, or Firm* — Anatoly S. Weiser, Esq.; IPLCounsel

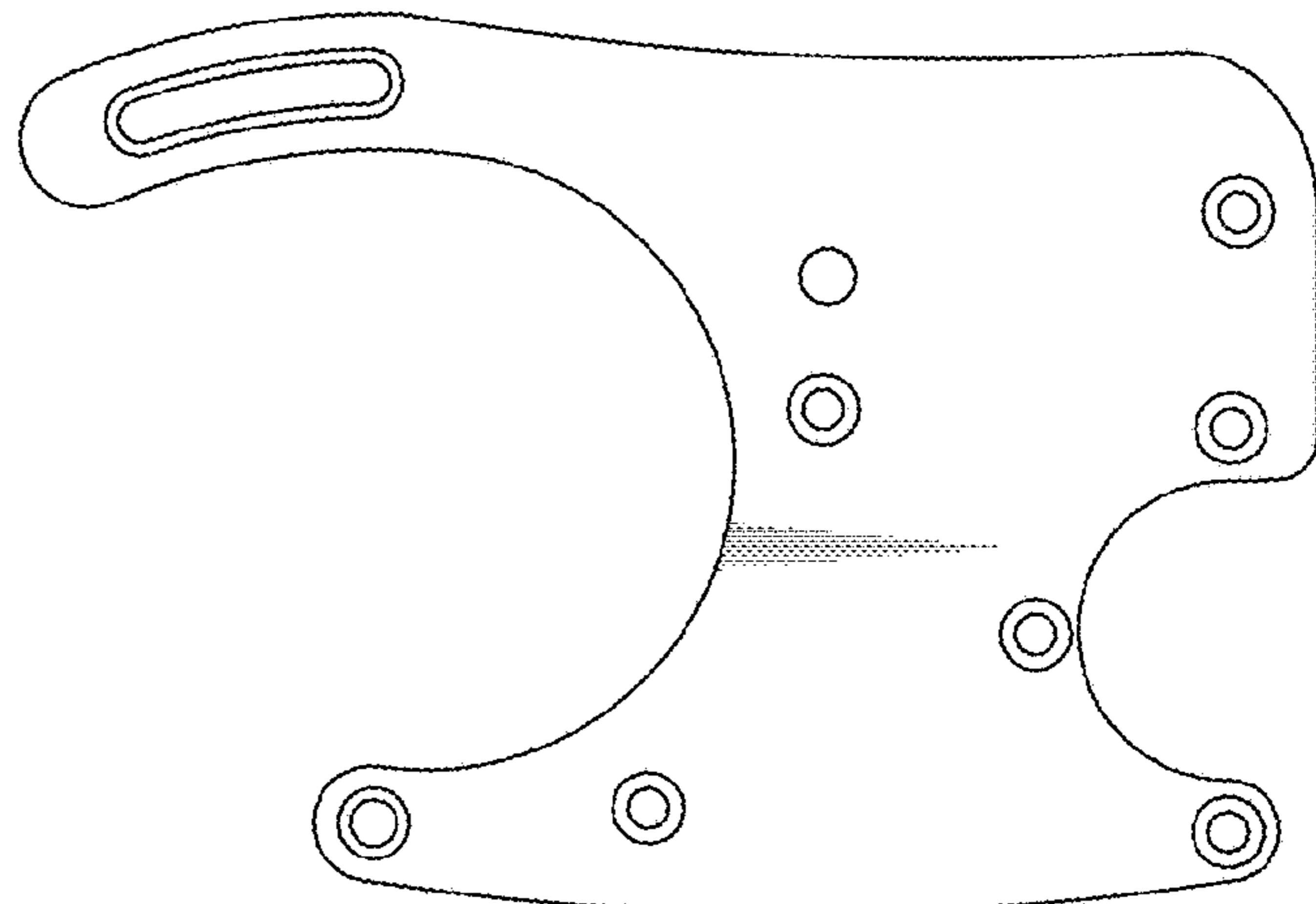
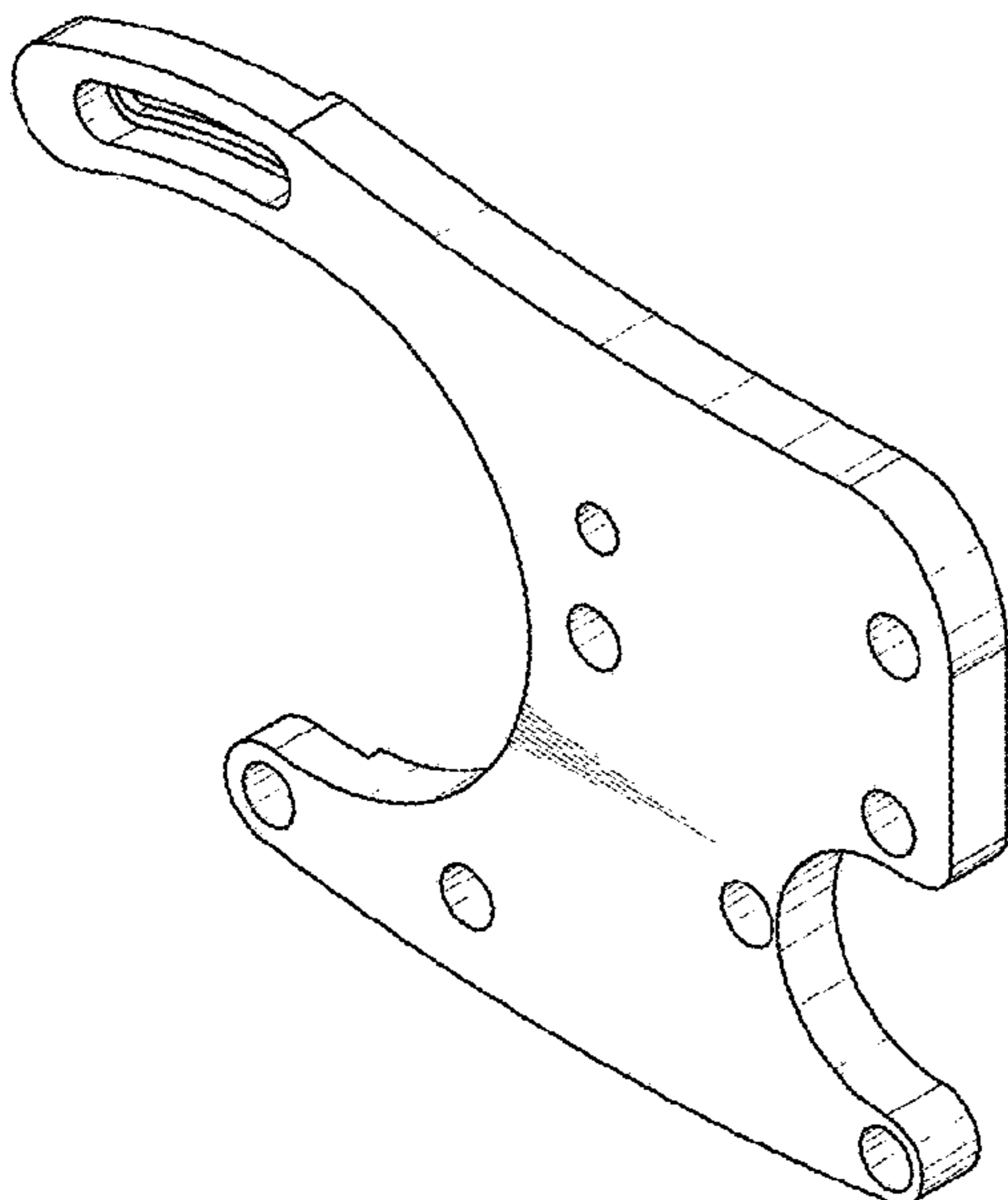
(57) **CLAIM**

An ornamental design for a bracket of a hydraulic power steering kit, as shown and described.

DESCRIPTION

FIG. 1 is a perspective view of a design of a bracket of a hydraulic power steering kit for a Ford 5.0L Coyote engine; FIG. 2 is a front view of the design of the bracket of a hydraulic power steering kit; FIG. 3 is a rear view of the design of the bracket of a hydraulic power steering kit; FIG. 4 is a top view of the design of the bracket of a hydraulic power steering kit; FIG. 5 is a bottom view of the design of the bracket of a hydraulic power steering kit; FIG. 6 is a first side view of the design of the bracket of a hydraulic power steering kit; FIG. 7 is a second side view of the design of the bracket of a hydraulic power steering kit; and, FIG. 8 is a perspective view of the design of the bracket of a hydraulic power steering kit with attached hydraulic power steering drive components.

1 Claim, 4 Drawing Sheets



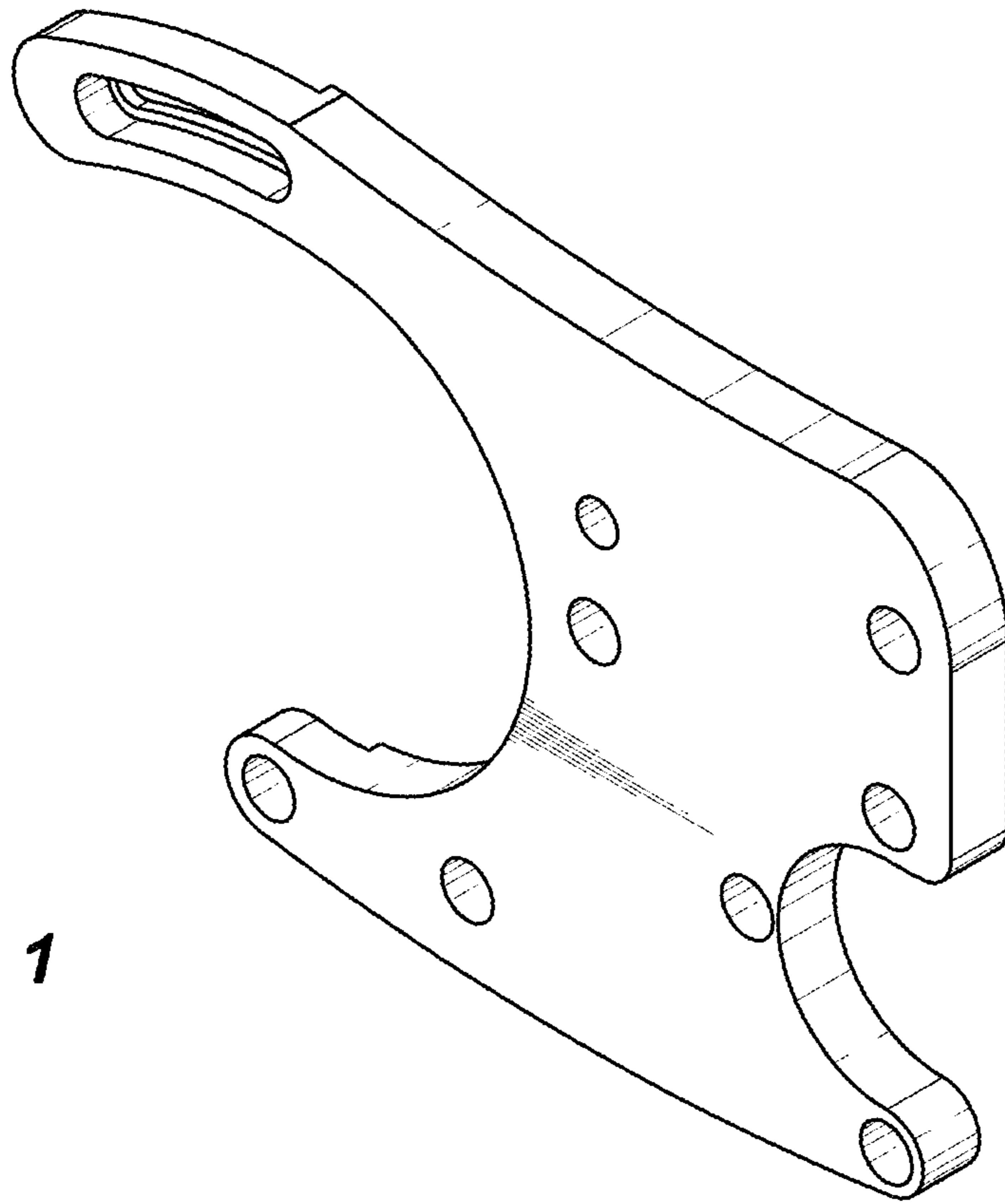


FIG. 1

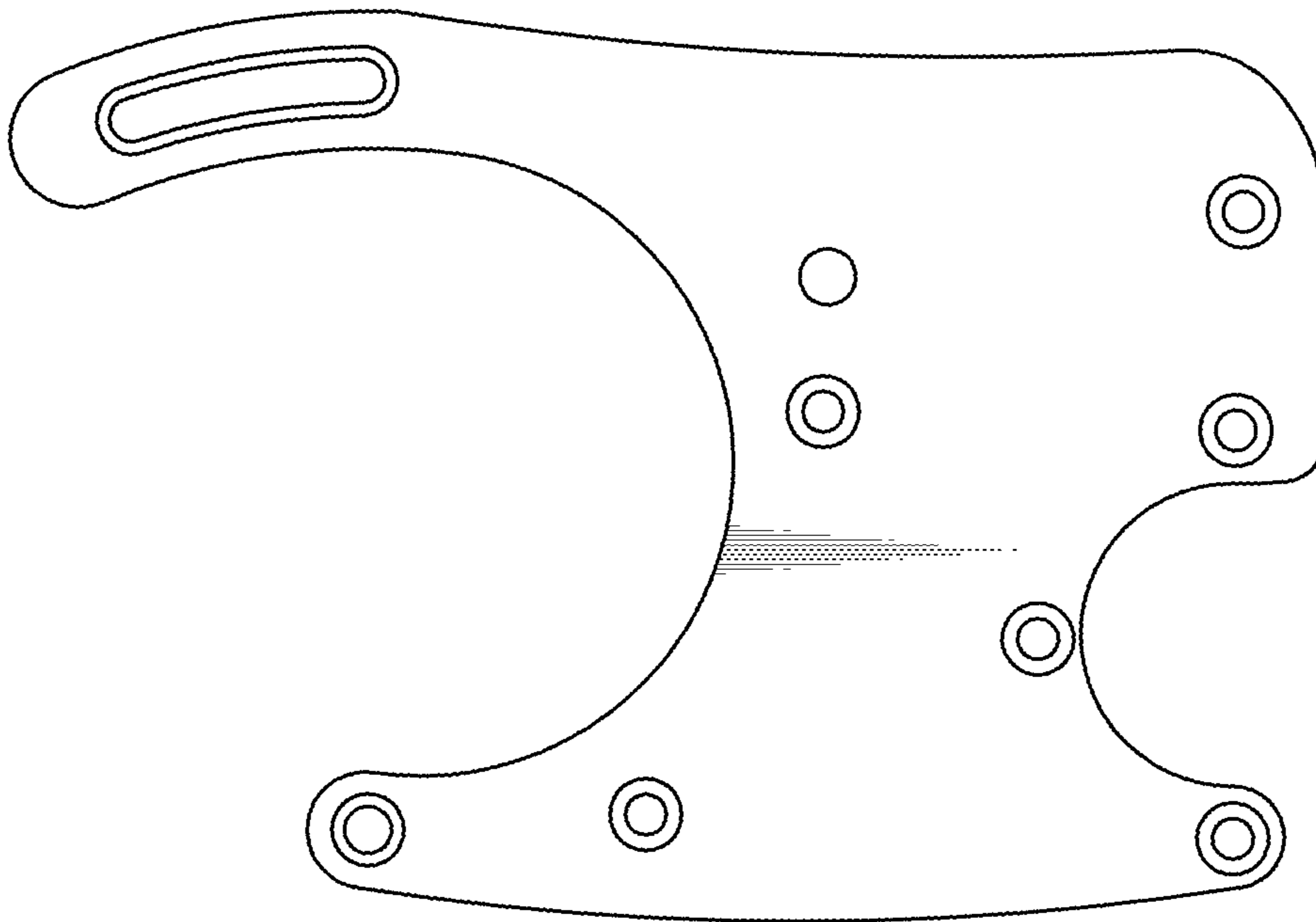


FIG. 2

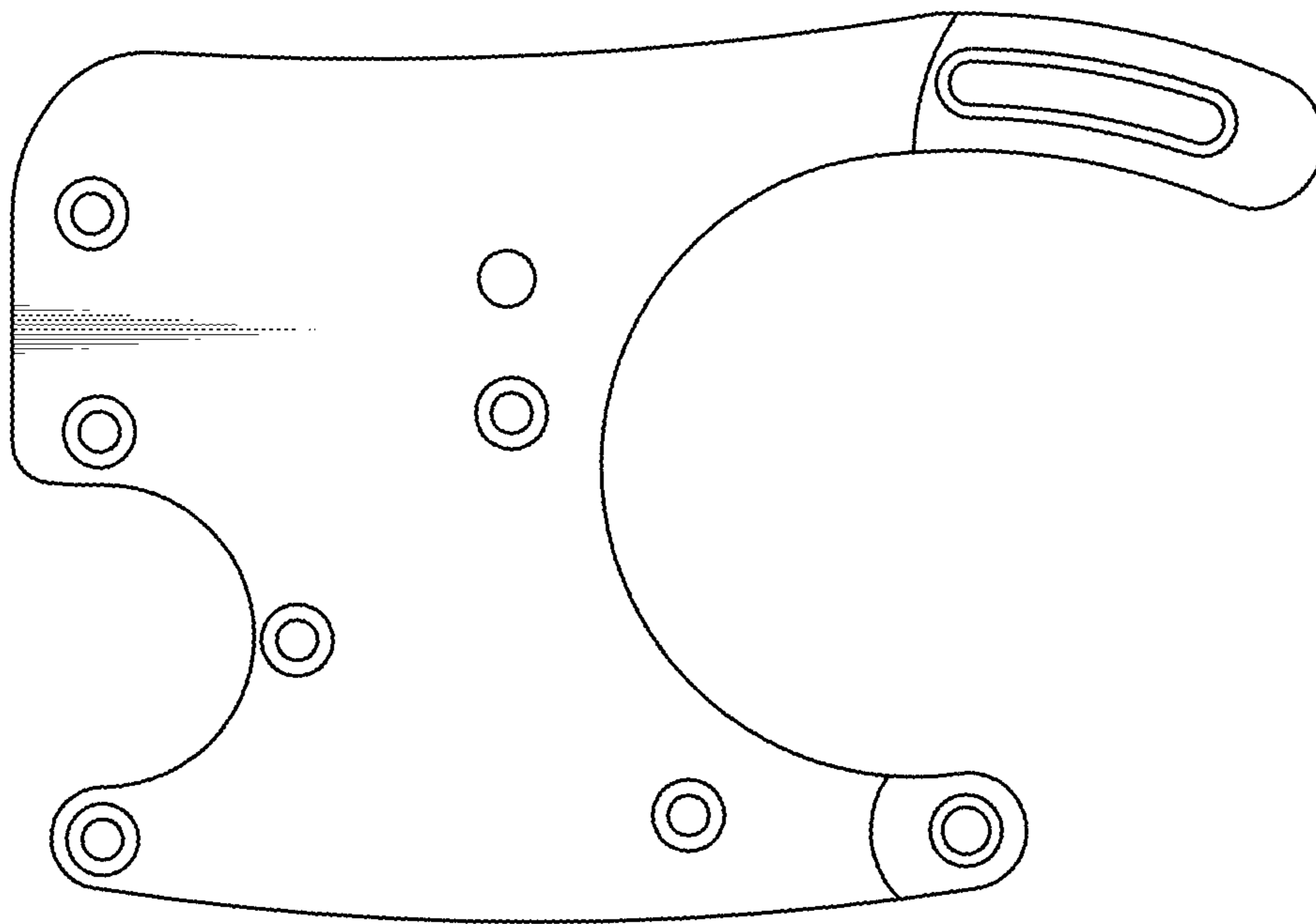


FIG. 3



FIG. 4

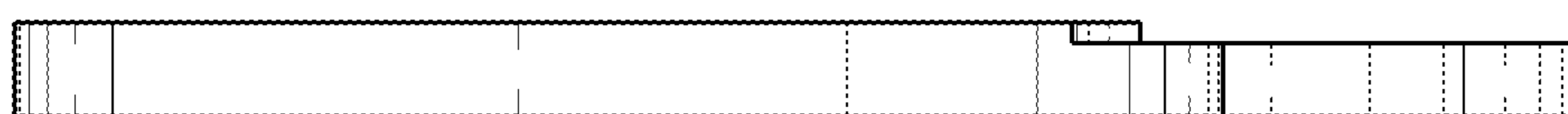


FIG. 5

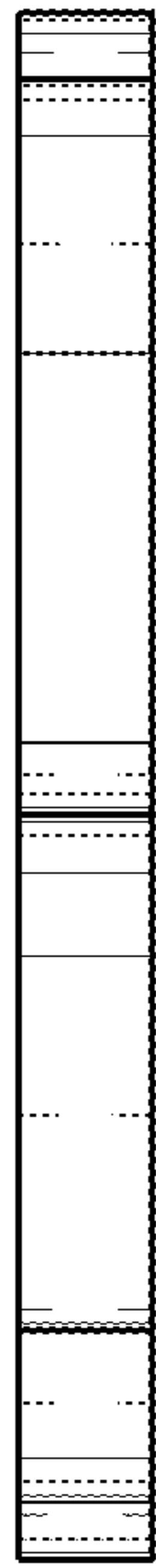


FIG. 6



FIG. 7

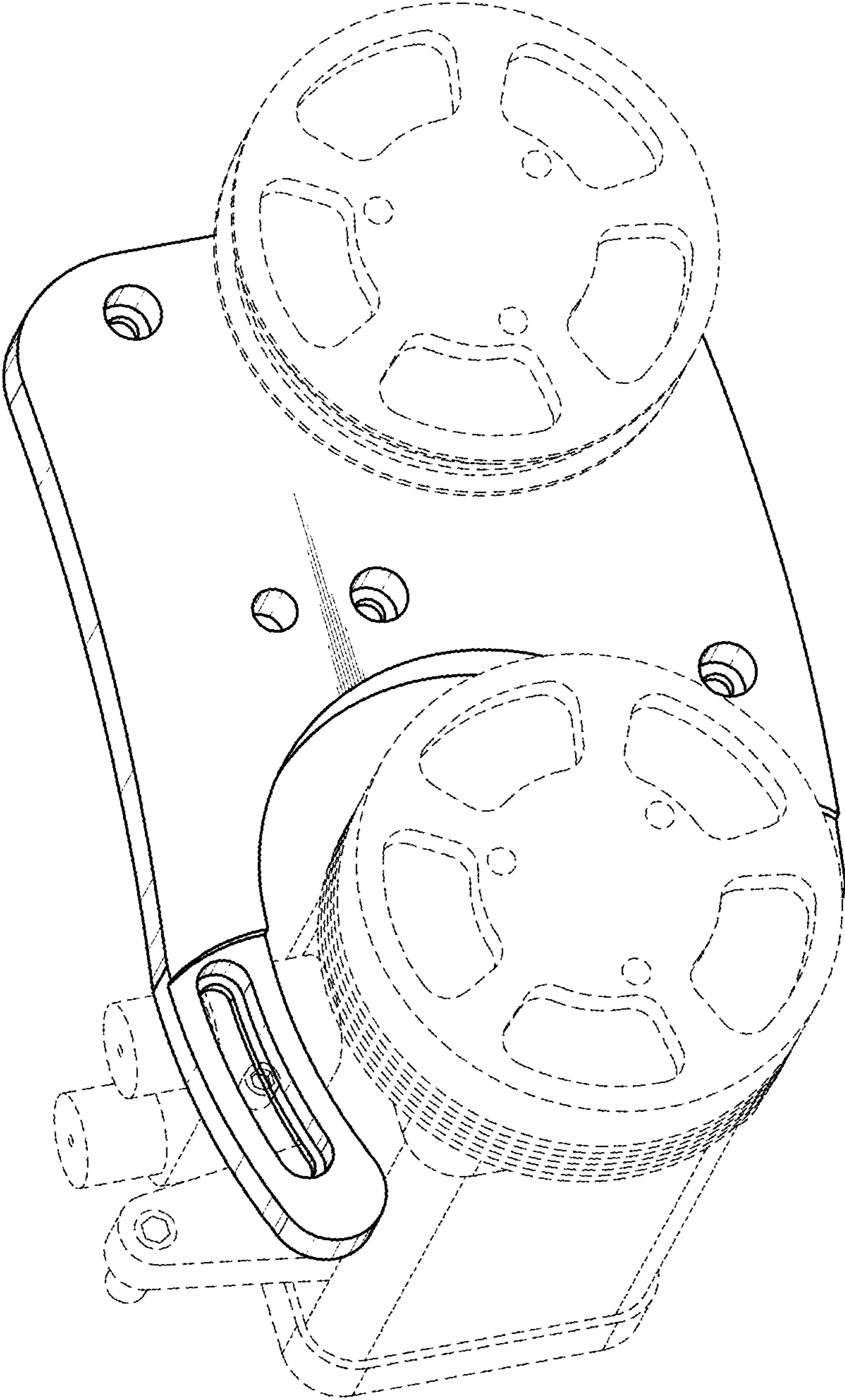


FIG. 8