



US00D875001S

(12) **United States Design Patent** (10) **Patent No.:** **US D875,001 S**  
**Moir et al.** (45) **Date of Patent:** **\*\* Feb. 11, 2020**

(54) **STEERING WHEEL FOR AN AUTOMOBILE**

(56) **References Cited**

(71) Applicants: **HYUNDAI MOTOR COMPANY**,  
Seoul (KR); **KIA MOTORS**  
**CORPORATION**, Seoul (KR)

U.S. PATENT DOCUMENTS

D472,858 S *	4/2003	Pfeiffer	.....	D12/176
D527,320 S *	8/2006	Pfeiffer	.....	D12/176
D688,606 S *	8/2013	Balko	.....	D12/176
D700,118 S *	2/2014	Hardin	.....	D12/176
D786,154 S *	5/2017	Castaman	.....	D12/176
D820,177 S *	6/2018	Buffery	.....	D12/176

(72) Inventors: **Andrew Moir**, Irvine, CA (US); **Kai Yun Liang**, Irvine, CA (US)

(73) Assignees: **Hyundai Motor Company**, Seoul (KR); **Kia Motors Corporation**, Seoul (KR)

FOREIGN PATENT DOCUMENTS

CN	201530466803	*	6/2016
CN	201830670419.7	*	5/2019

(\*\*) Term: **15 Years**

\* cited by examiner

(21) Appl. No.: **35/505,821**

*Primary Examiner* — Sheryl Lane

*Assistant Examiner* — Calvin E Vansant

(22) Filed: **Apr. 3, 2018**

(74) *Attorney, Agent, or Firm* — Mintz Levin Cohn Ferris Glovsky and Popeo, P.C.; Kongsik Kim

(80) **Hague Agreement Data**

Int. Filing Date: **Apr. 3, 2018**

Int. Reg. No.: **DM/100673**

Int. Reg. Date: **Apr. 3, 2018**

Int. Reg. Pub. Date: **Oct. 5, 2018**

(57) **CLAIM**

The ornamental design for a steering wheel for an automobile, as shown and described.

(51) **LOC (12) Cl.** ..... **12-16**

(52) **U.S. Cl.**  
USPC ..... **D12/176**

(58) **Field of Classification Search**  
USPC ..... D12/174, 175, 176, 177, 192, 415  
CPC .... B60K 2370/60-65; B60K 2370/654; B60K 35/00; B60K 37/00; B60K 37/02; B60K 37/04; B60K 37/06

See application file for complete search history.

**DESCRIPTION**

1. Steering wheel for an automobile

1.1 : Perspective

1.2 : Front

1.3 : Back

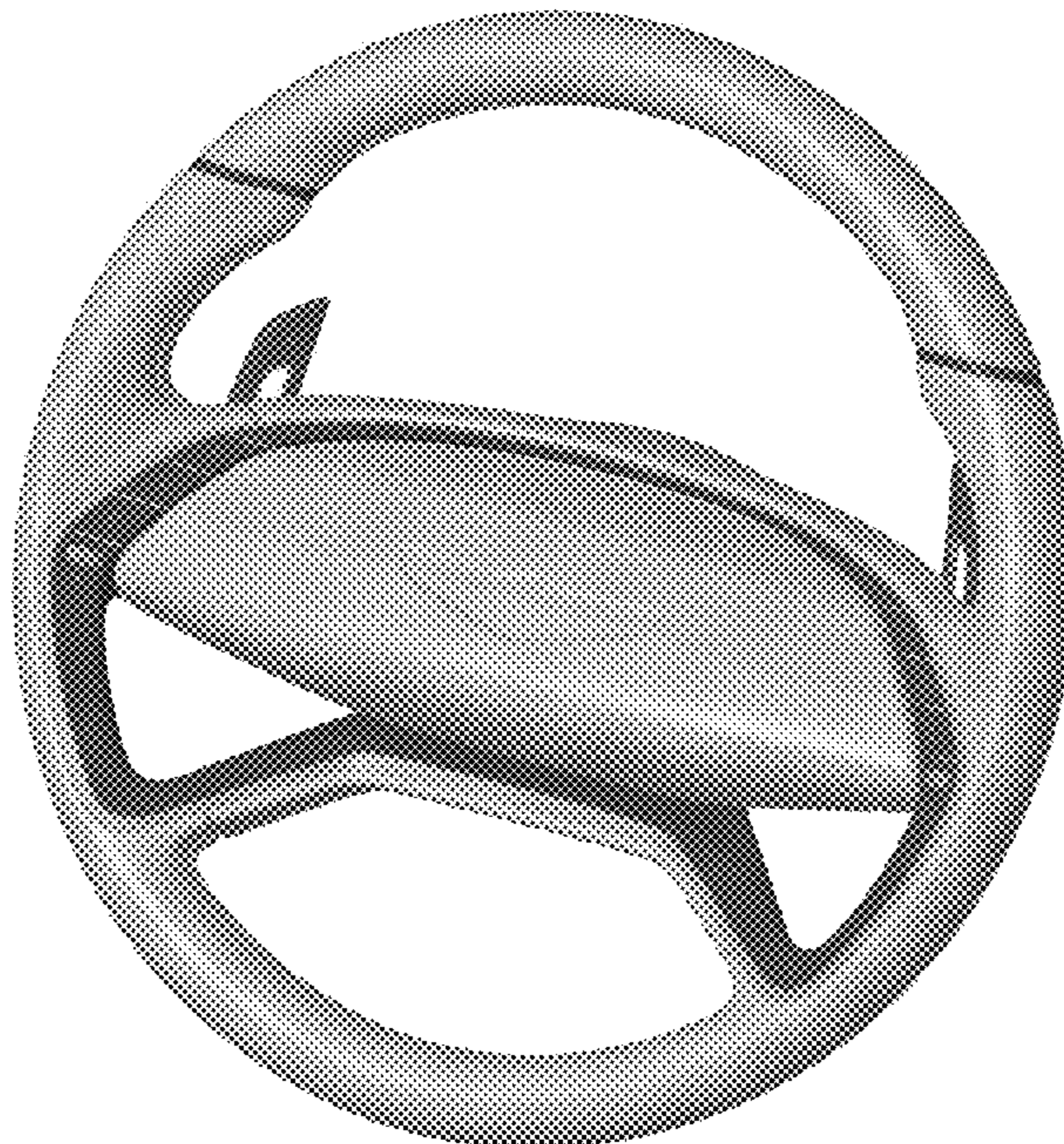
1.4 : Left

1.5 : Right

1.6 : Top

1.7 : Bottom

**1 Claim, 7 Drawing Sheets**



1.1



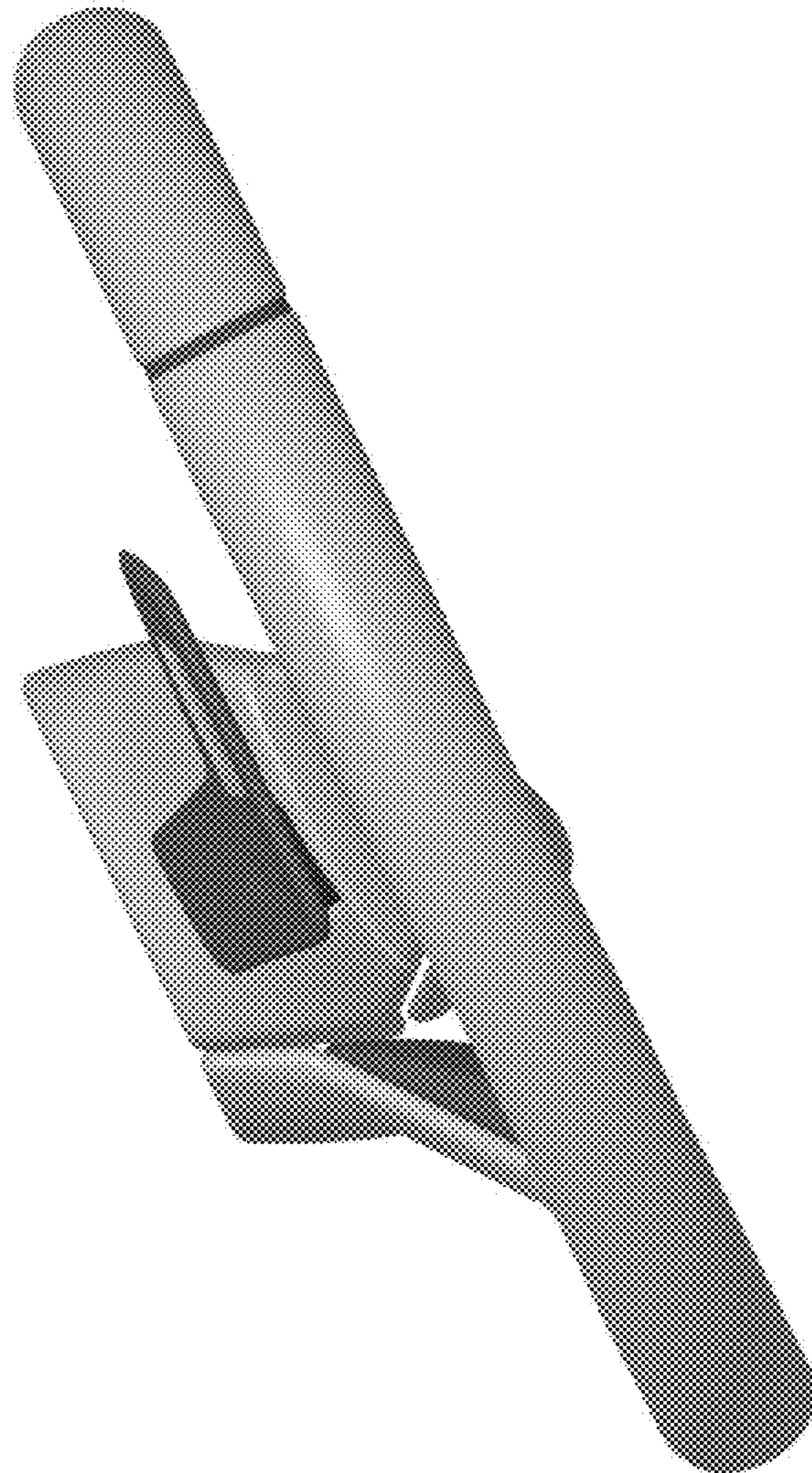
1.2



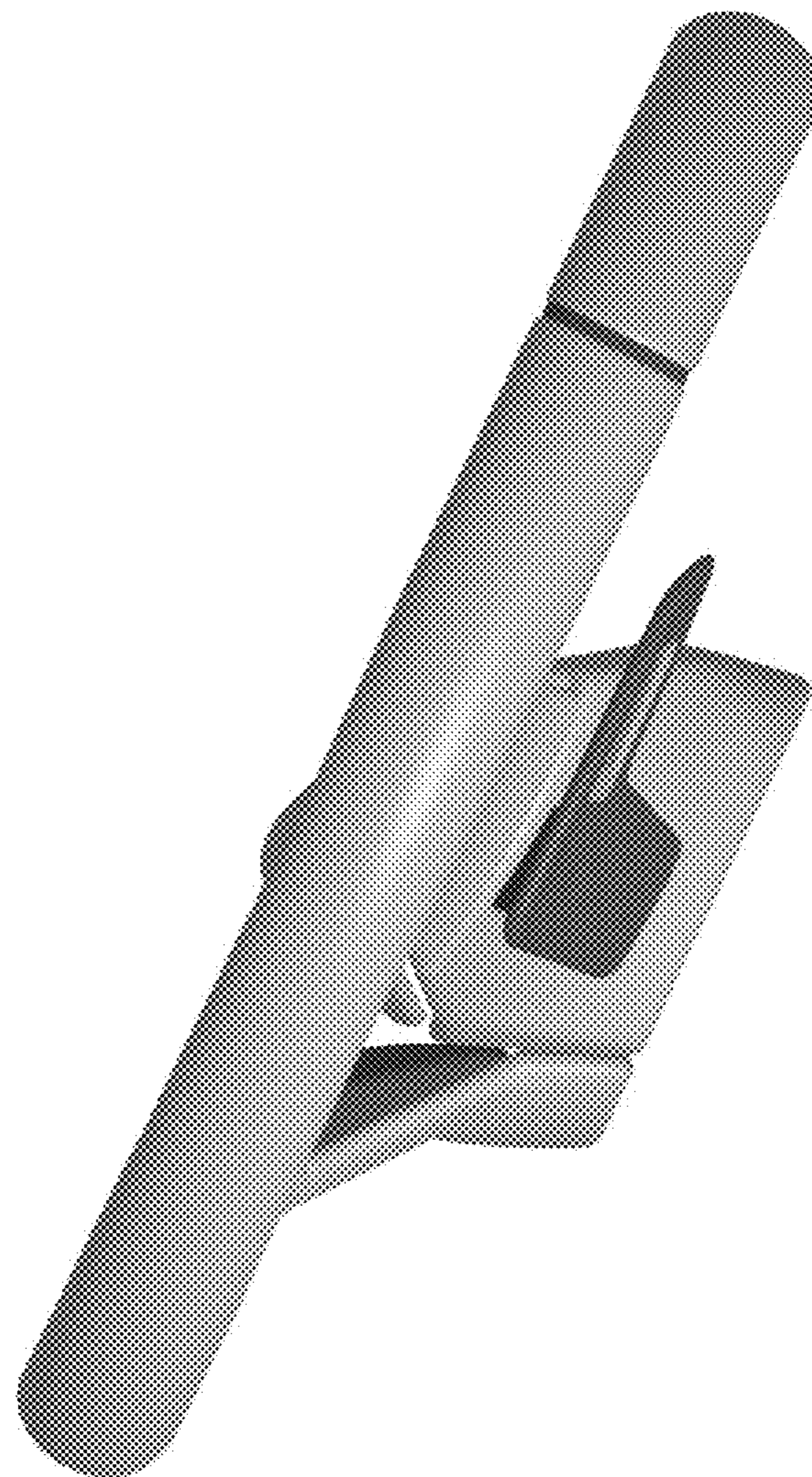
1.3



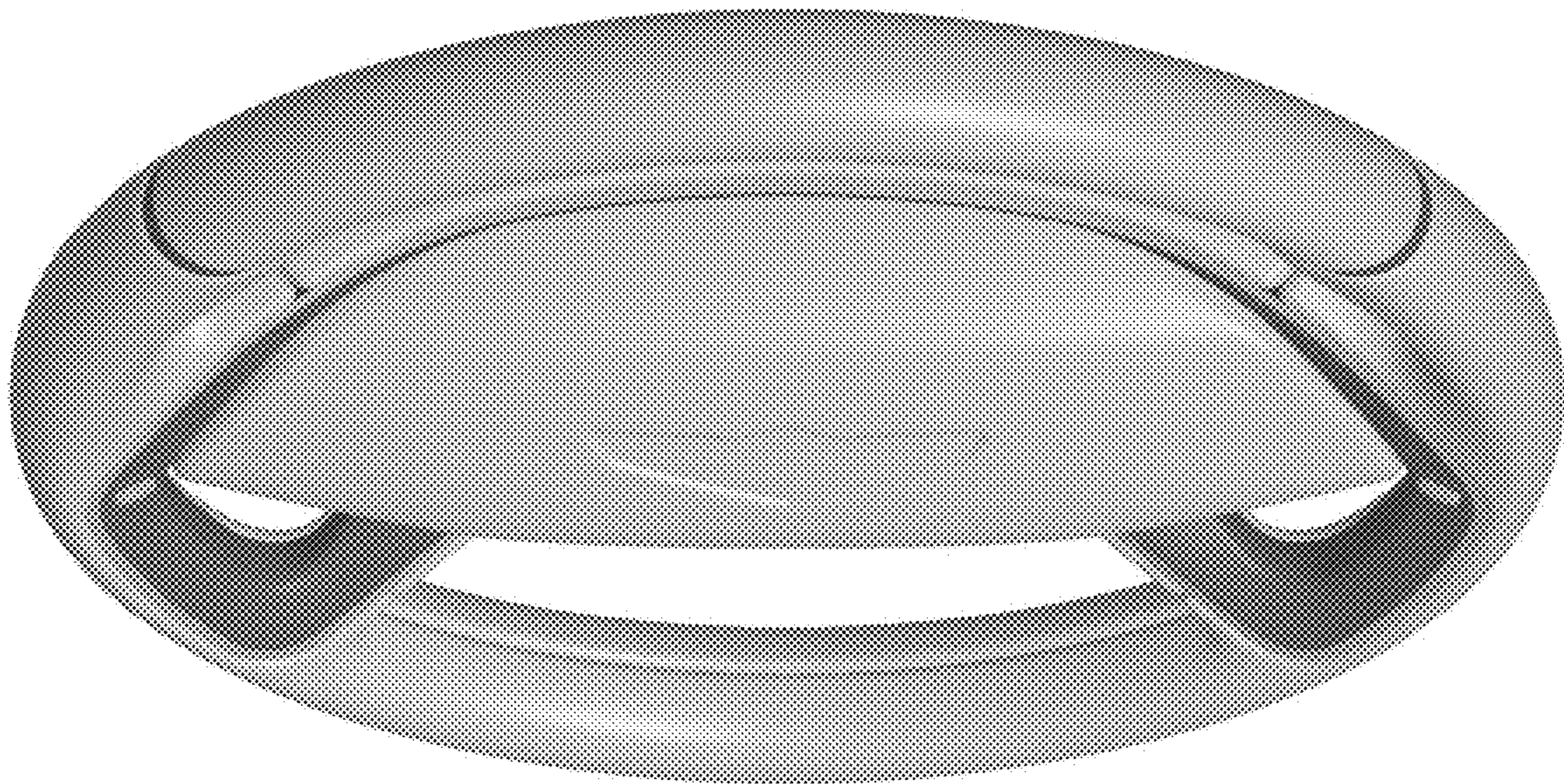
1.4



1.5



1.6



1.7

