



US00D874991S

(12) **United States Design Patent** (10) **Patent No.:** **US D874,991 S**
Park et al. (45) **Date of Patent:** **** Feb. 11, 2020**

(54) **VEHICLE FRONT UPPER BUMPER COVER**

(71) Applicant: **Ford Global Technologies, LLC**,
Dearborn, MI (US)

(72) Inventors: **Dong H. Park**, Canton, MI (US);
Anthony Meyer, Royal Oak, MI (US);
Sooyoung Kim, Northville, MI (US);
Damon G. Depeyster, Northville, MI
(US); **Gordon M. Platto**, Troy, MI
(US)

(73) Assignee: **Ford Global Technologies, LLC**,
Dearborn, MI (US)

(**) Term: **15 Years**

(21) Appl. No.: **29/650,693**

(22) Filed: **Jun. 8, 2018**

(51) **LOC (12) Cl.** **12-16**

(52) **U.S. Cl.**
USPC **D12/169**

(58) **Field of Classification Search**
USPC D12/163, 169, 86, 90, 91, 92, 196, 171,
D12/216, 184, 400; D15/31; 296/180.1,
296/180.2; 293/113, 115, 117, 120
CPC ... B60R 19/52; B60R 2019/525; B60R 19/04;
B60K 11/085; B62D 25/084; B62D
25/08; H01Q 1/32
See application file for complete search history.

(56) **References Cited**

U.S. PATENT DOCUMENTS

D510,501 S 10/2005 Kim et al.
D722,534 S * 2/2015 Munson D12/92
D746,733 S 1/2016 Behmer et al.

D750,000 S * 2/2016 Han D12/169
D775,560 S * 1/2017 Choi D12/169
D813,113 S * 3/2018 Zurian D12/169
D813,739 S * 3/2018 Szavits D12/169
D817,826 S * 5/2018 Seo D12/169
D819,520 S * 6/2018 Platto D12/169
D850,333 S * 6/2019 Lee D12/169
D851,560 S * 6/2019 Yong D12/169
D854,467 S * 7/2019 Smith D12/169
D857,570 S * 8/2019 Chung D12/169
2011/0057480 A1 * 3/2011 Usoro B60R 19/52
296/193.1

* cited by examiner

Primary Examiner — Brett Miller
Assistant Examiner — Yolanda Robinson

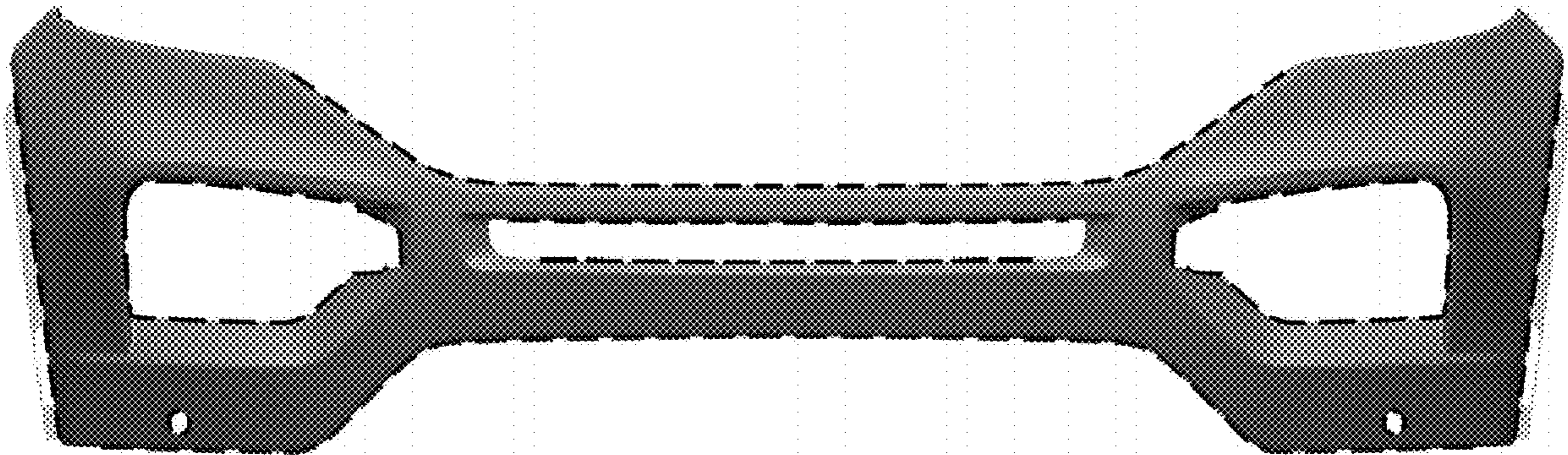
(57) **CLAIM**

The ornamental design for a vehicle front upper bumper cover, as shown and described.

DESCRIPTION

FIG. 1 is a front elevation view of a vehicle front upper bumper cover, showing our new design;
FIG. 2 is a left side elevational view thereof;
FIG. 3 is a right side elevational view thereof;
FIG. 4 is a top plan view thereof;
FIG. 5 is a bottom plan view thereof;
FIG. 6 is a bottom, front, and left side perspective view thereof; and,
FIG. 7 is a top, front, and left side perspective view thereof.
Any broken lines represent an internal boundary of the design; the line itself and the area within form no part of the claim.
The portions of the bumper cover shown in half tone form no part of the claimed design.

1 Claim, 7 Drawing Sheets



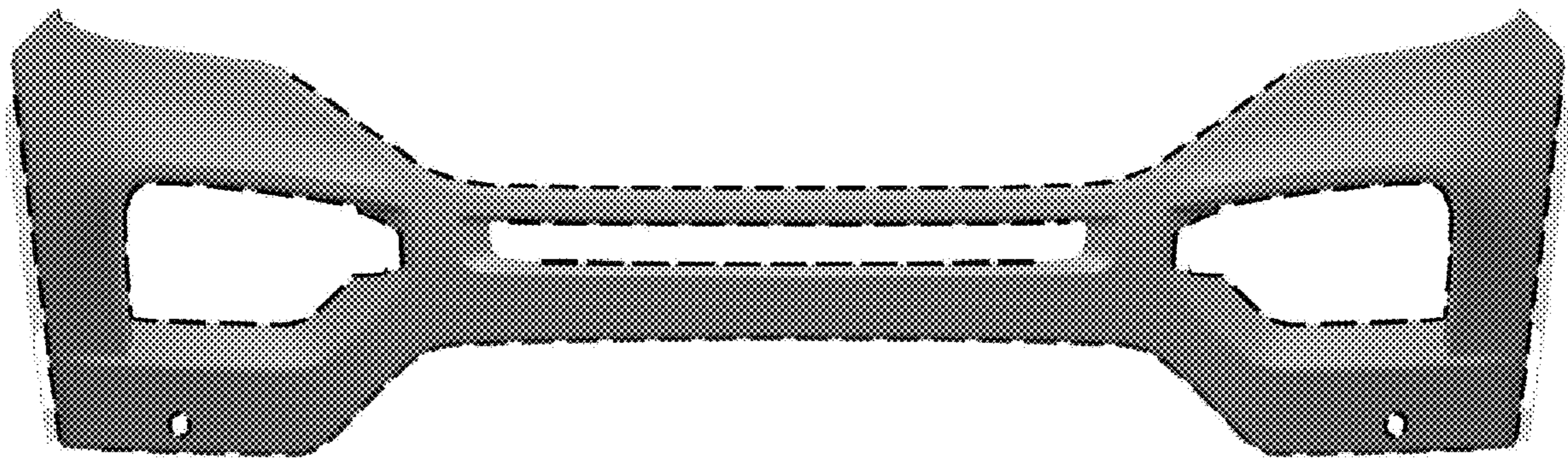


Fig. 1

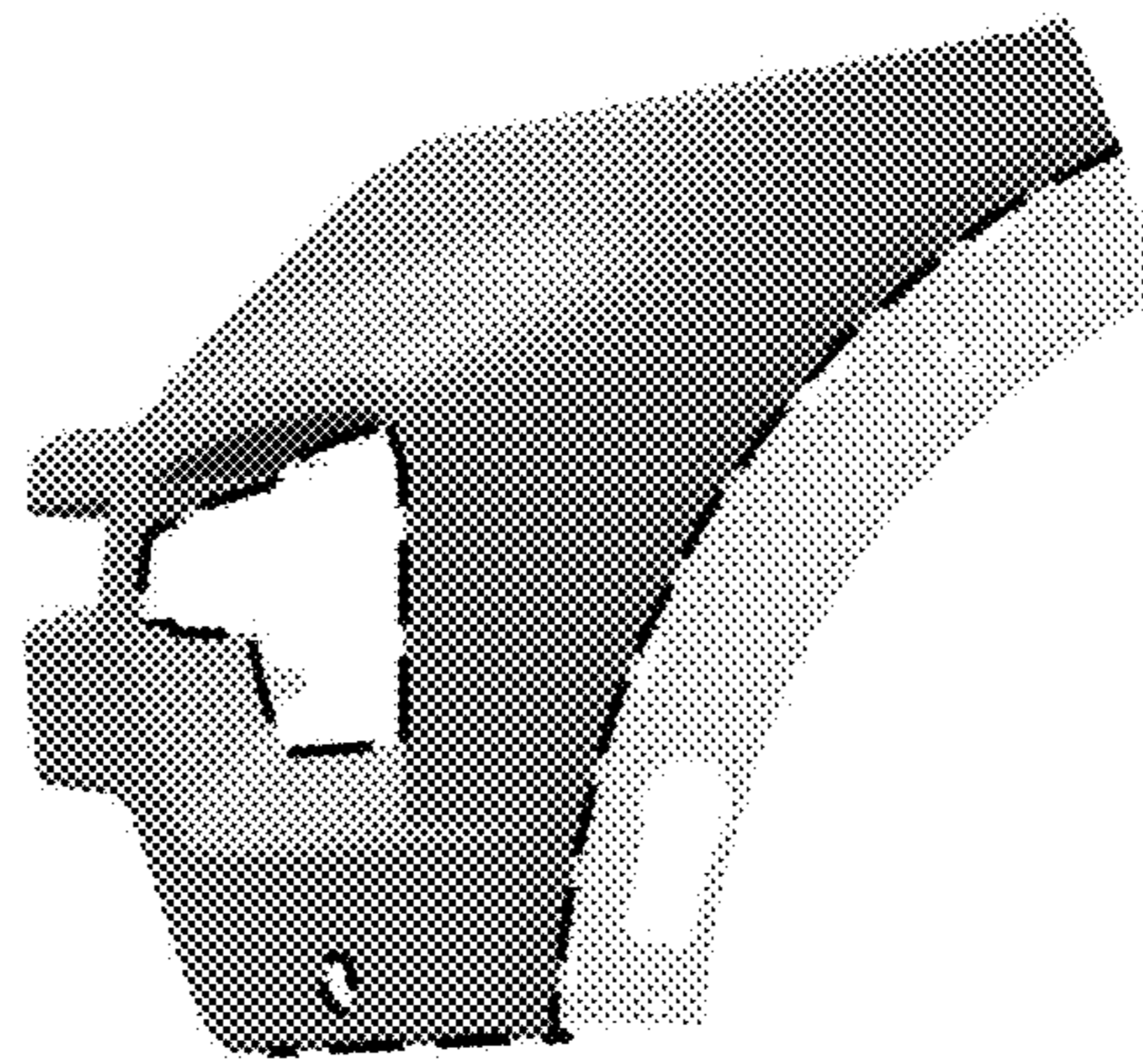


Fig. 2

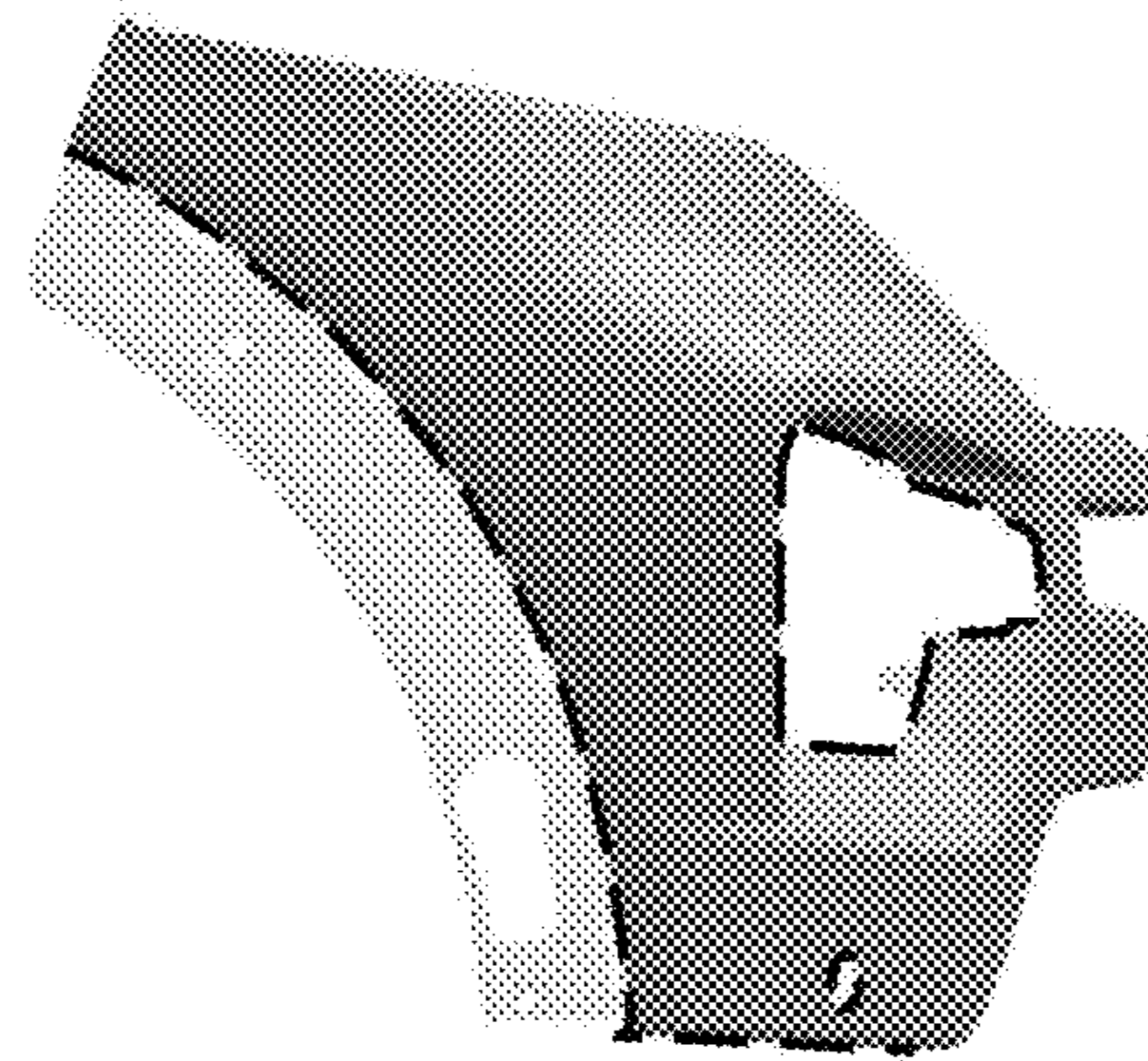


Fig. 3

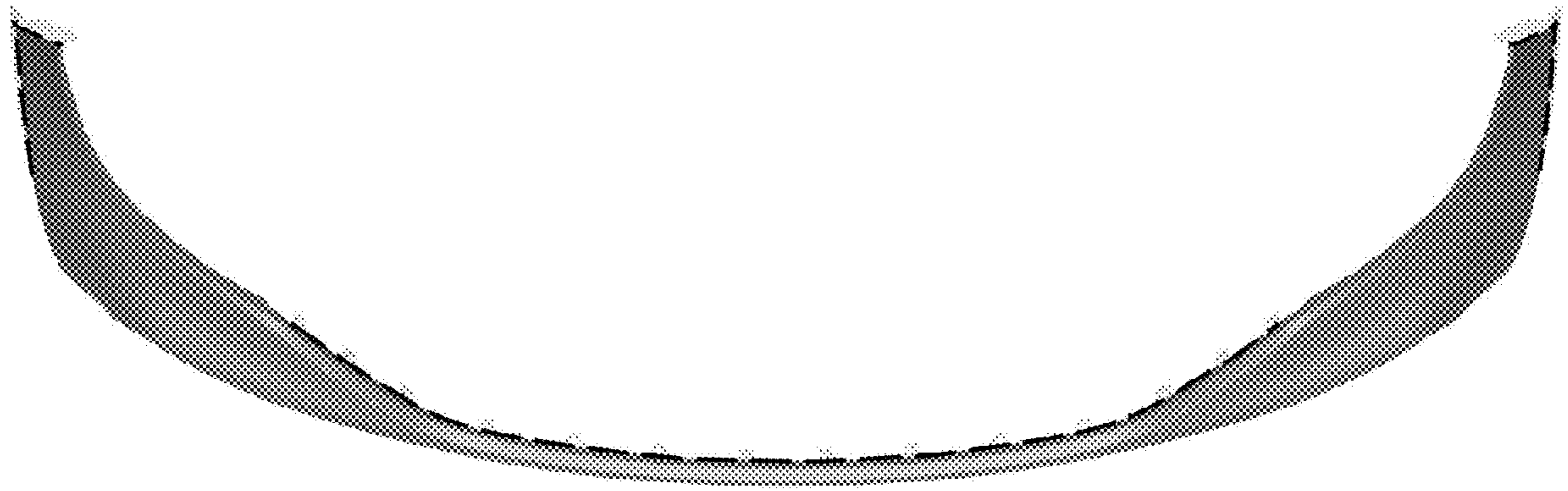
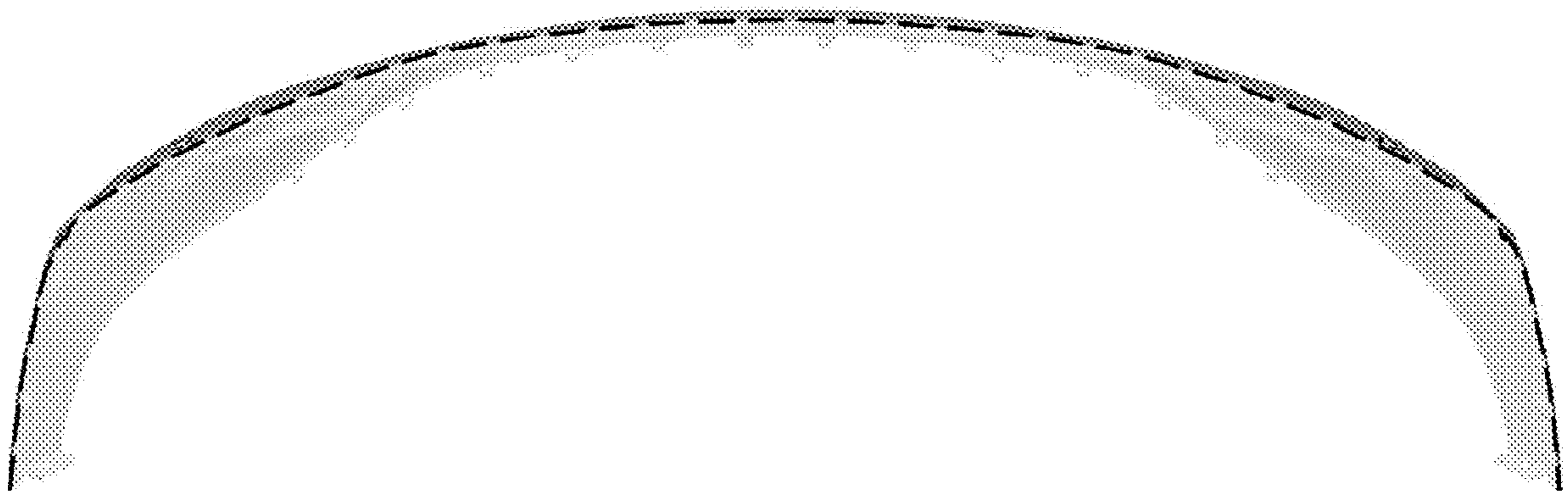


Fig. 4

Fig. 5



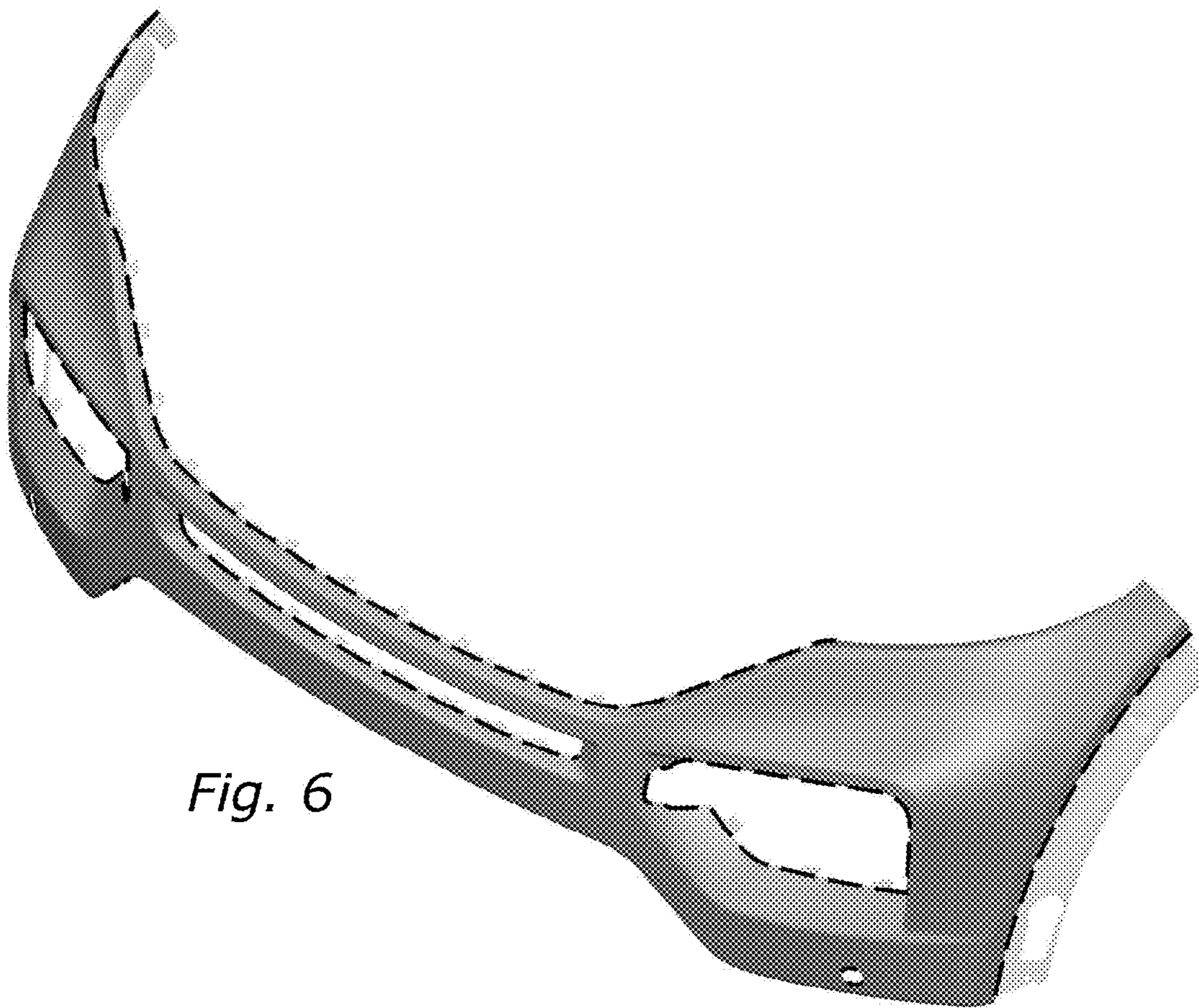


Fig. 6

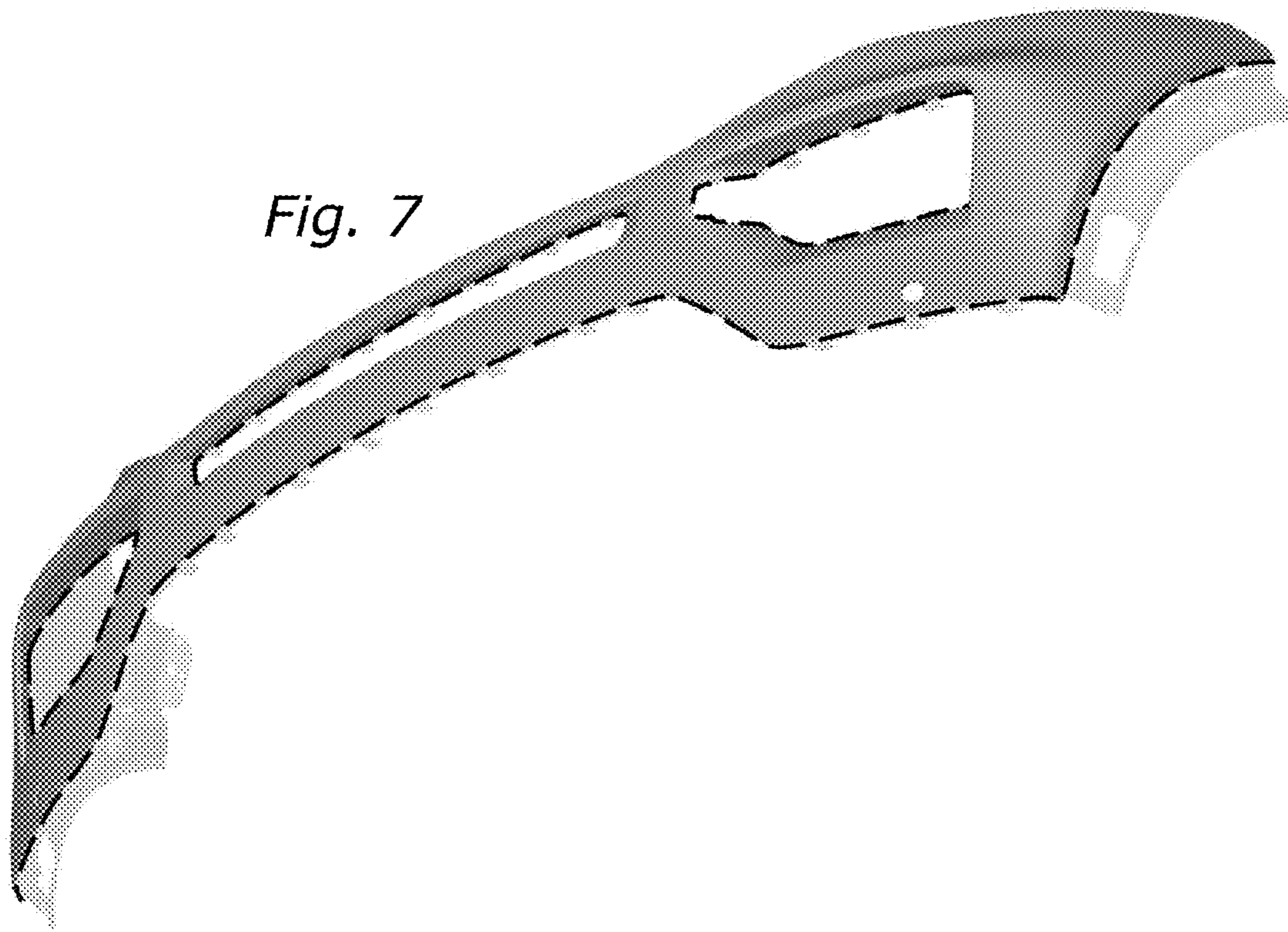


Fig. 7