



US00D874988S

(12) **United States Design Patent**  
**Katou**

(10) **Patent No.:** **US D874,988 S**

(45) **Date of Patent:** **\*\* Feb. 11, 2020**

(54) **RADIATOR GRILLE FOR AUTOMOBILE**

(71) Applicant: **Nissan Motor Co., Ltd.**, Yokohama,  
Kanagawa (JP)

(72) Inventor: **Tadashi Katou**, Kanagawa (JP)

(73) Assignee: **Nissan Motor Co., Ltd.**, Yokohama  
(JP)

(\*\*) Term: **15 Years**

(21) Appl. No.: **29/644,166**

(22) Filed: **Apr. 16, 2018**

(30) **Foreign Application Priority Data**

Oct. 17, 2017 (JP) ..... 2017-022894

(51) **LOC (12) Cl.** ..... **12-16**

(52) **U.S. Cl.**  
USPC ..... **D12/163**

(58) **Field of Classification Search**  
USPC ..... D12/169, 196, 86, 90-92, 163, 190, 98,  
D12/164; 293/102, 113, 115, 117, 120,  
293/193.11; 296/180.1, 180.2; 180/68.1,  
180/68.6

CPC ..... B60R 19/52; B60K 11/08; B62D 25/08;  
B62B 9/16

See application file for complete search history.

(56) **References Cited**

**U.S. PATENT DOCUMENTS**

D734,693 S \* 7/2015 Koizumi ..... D12/163  
D774,999 S \* 12/2016 Liu ..... D12/163

D789,844 S \* 6/2017 Sakai ..... D12/163  
D809,979 S \* 2/2018 Tanaka ..... D12/163  
D818,885 S \* 5/2018 Seo ..... D12/163  
D818,887 S \* 5/2018 Choi ..... D12/163  
D818,888 S \* 5/2018 Koizumi ..... D12/163  
D818,891 S \* 5/2018 Minamiyama ..... D12/163

\* cited by examiner

*Primary Examiner* — Melody N Brown

(74) *Attorney, Agent, or Firm* — Global IP Counselors,  
LLP

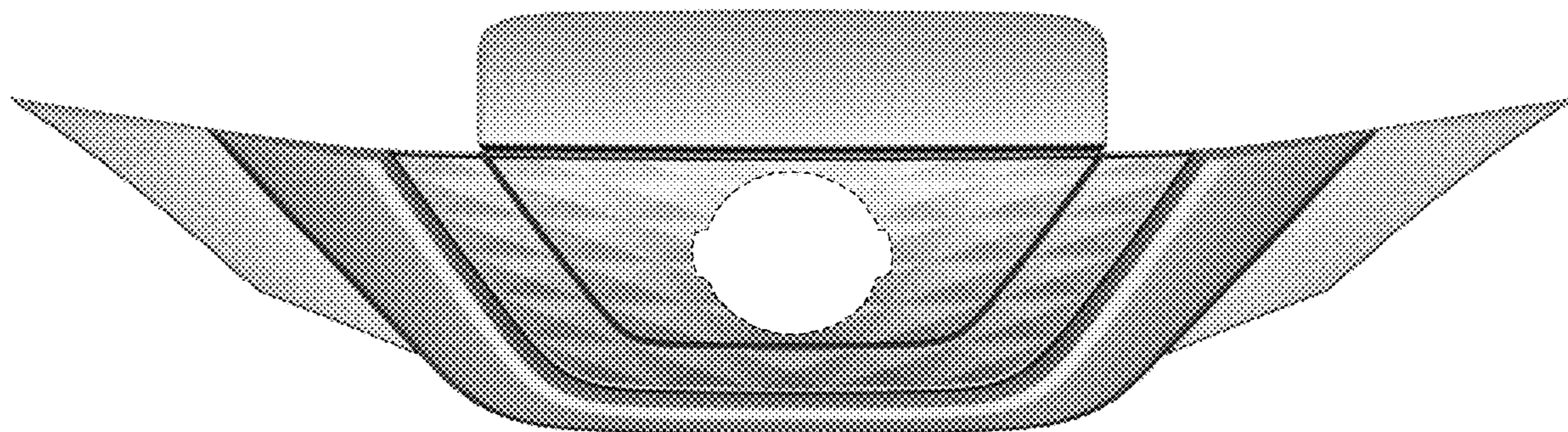
(57) **CLAIM**

The ornamental design for a radiator grille for an automo-  
bile, as shown and described.

**DESCRIPTION**

FIG. 1 is a front elevational view of a radiator grille for an  
automobile showing my new design;  
FIG. 2 is a top plan view thereof;  
FIG. 3 is a bottom plan view thereof;  
FIG. 4 is a left side elevational view thereof;  
FIG. 5 is a right side elevational view thereof;  
FIG. 6 is a top, front and left side perspective view thereof;  
and,  
FIG. 7 is a top, front and right side perspective view thereof.  
The broken line showing of the radiator grille is for purpose  
of illustrating environmental structure and forms no part of  
the claimed design. The rear view of the radiator grille forms  
no part of the claimed design.

**1 Claim, 7 Drawing Sheets**





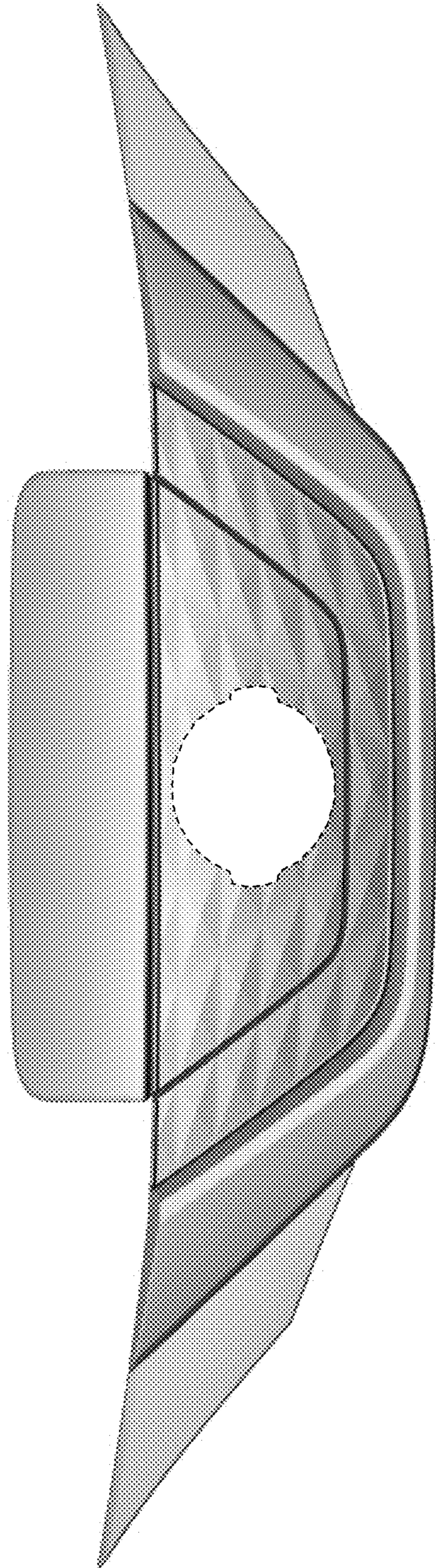


FIG. 1

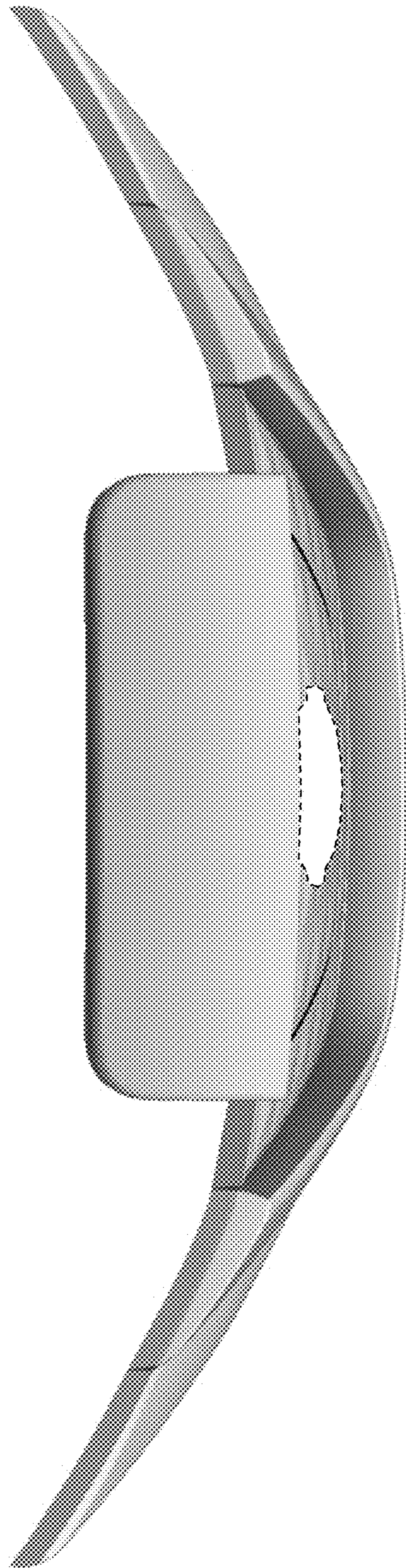


FIG. 2



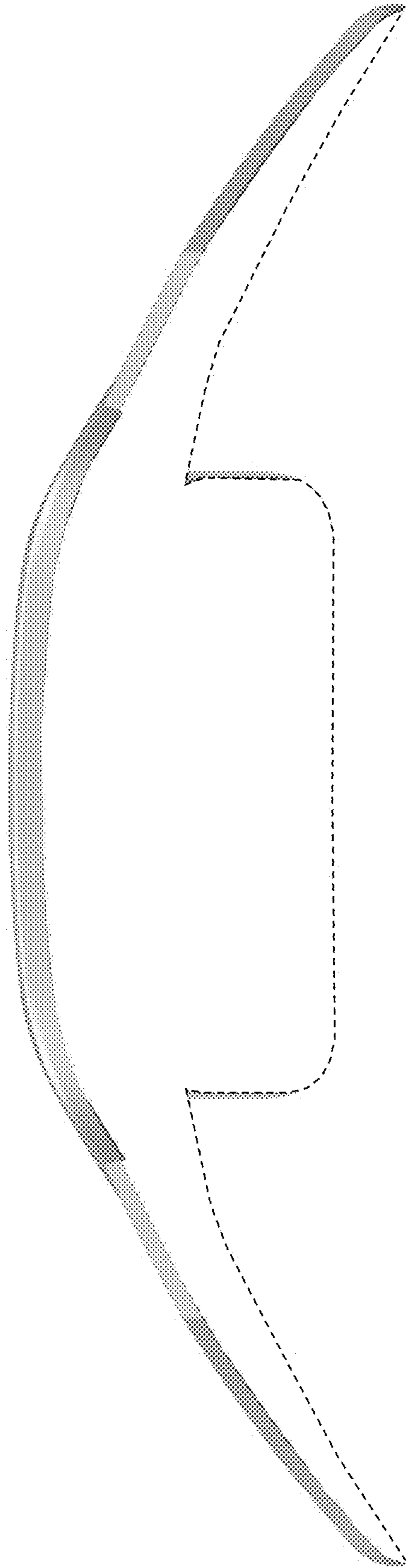


FIG. 3

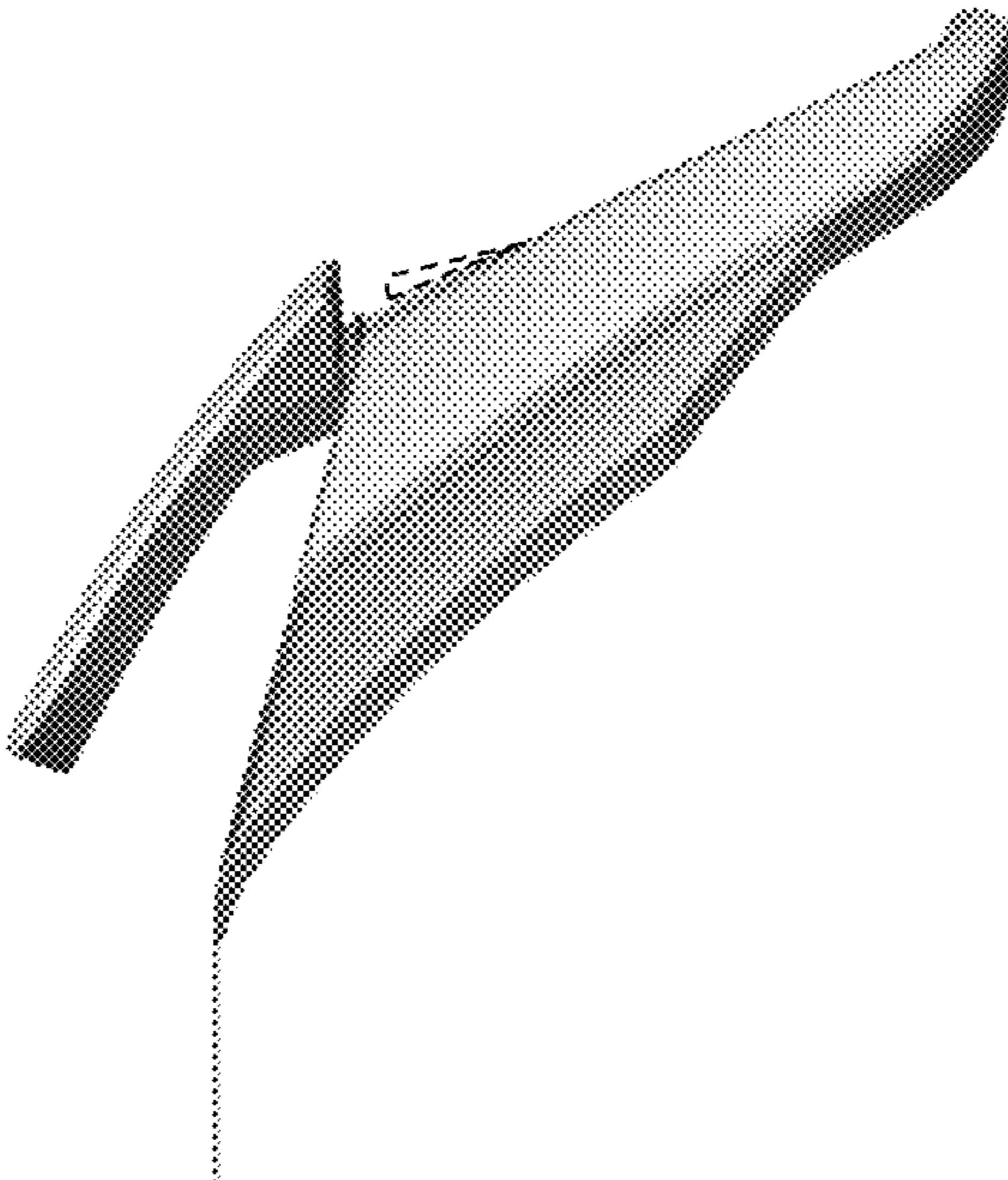


FIG. 4

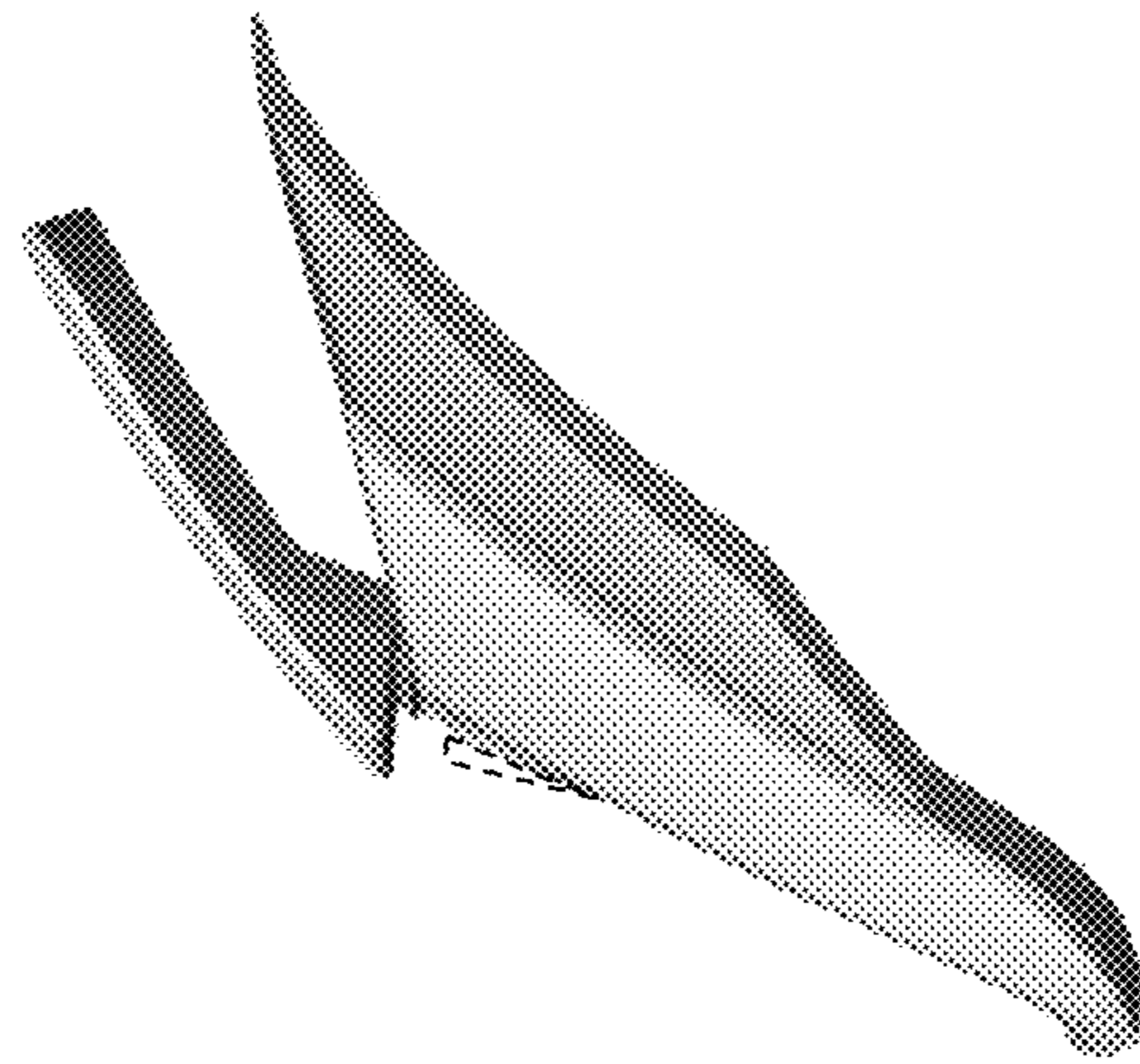


FIG. 5

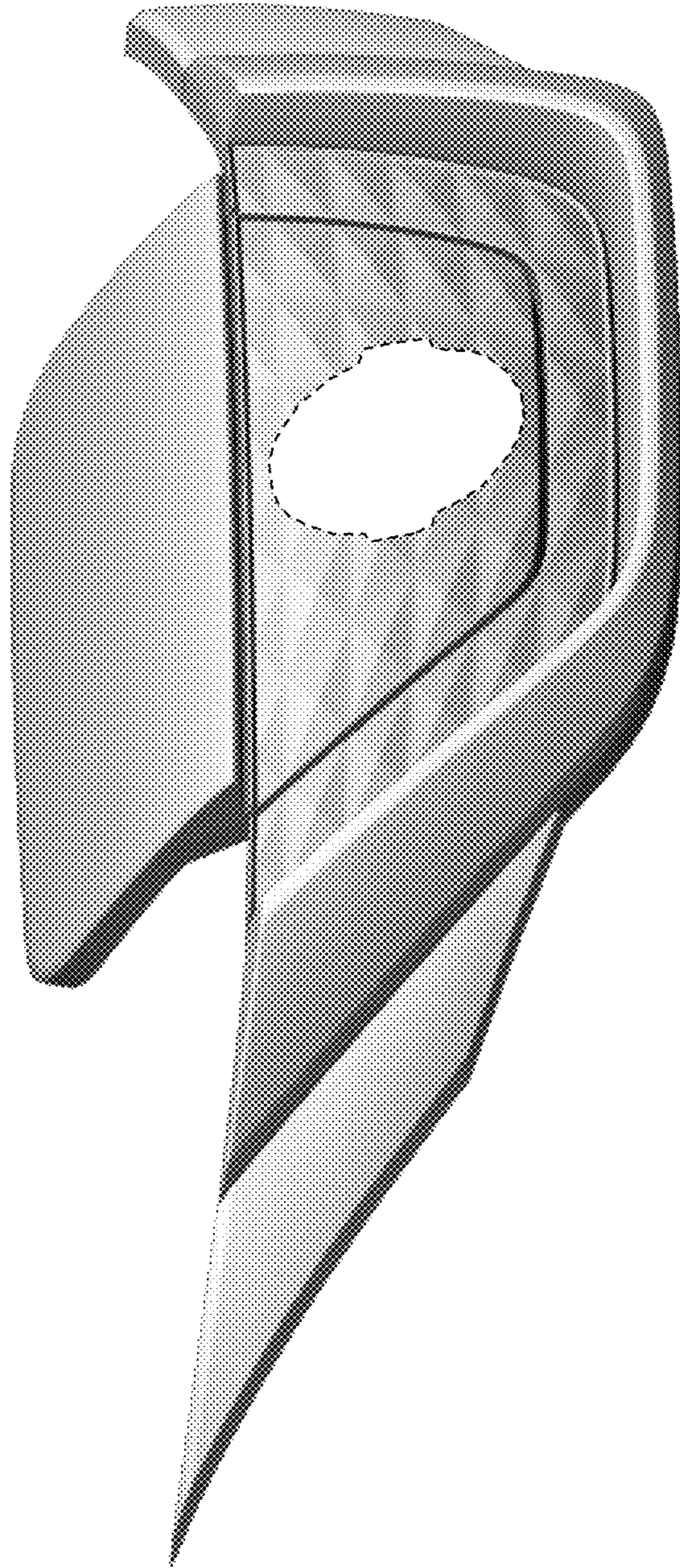


FIG. 6



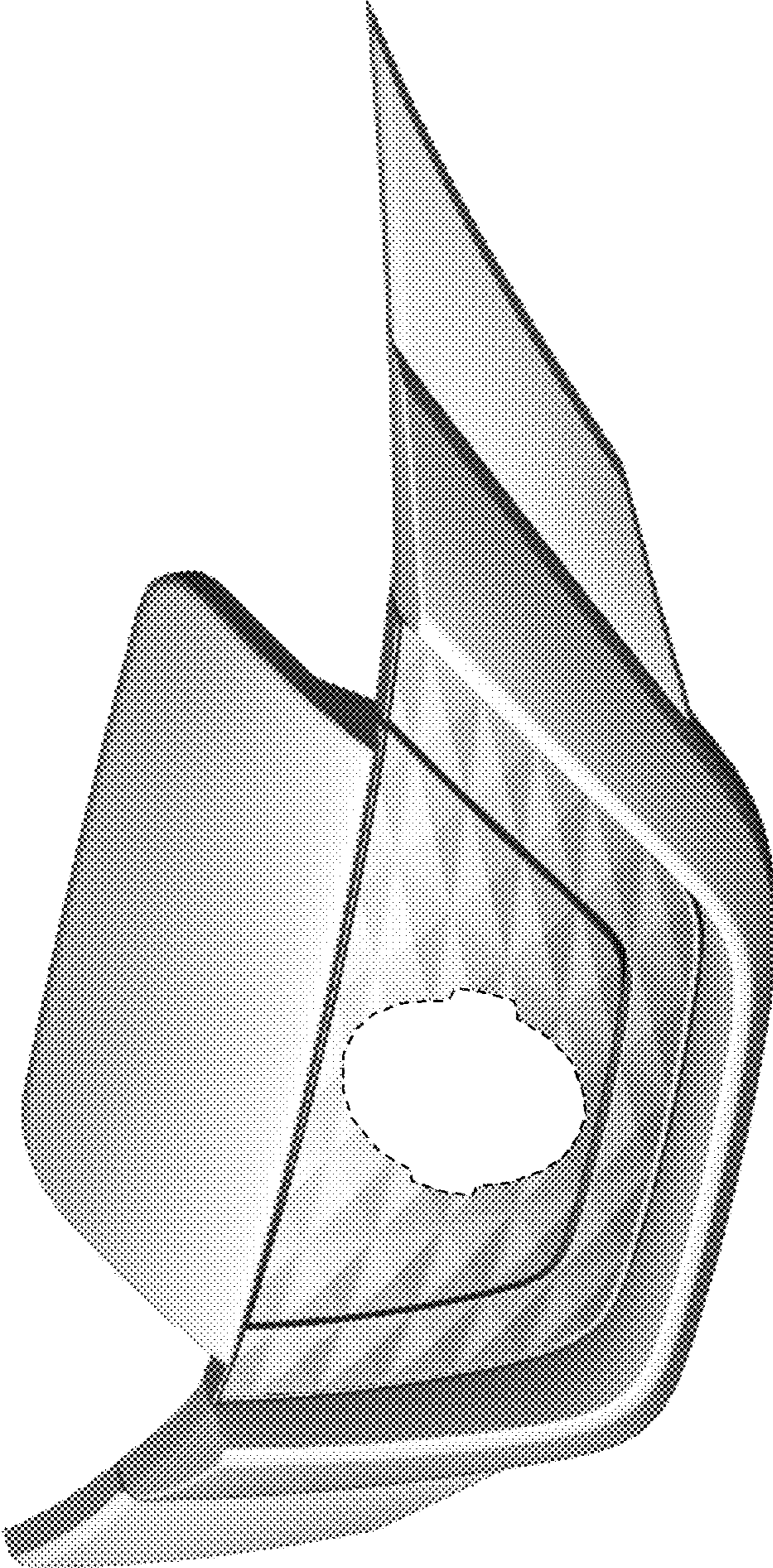


FIG. 7